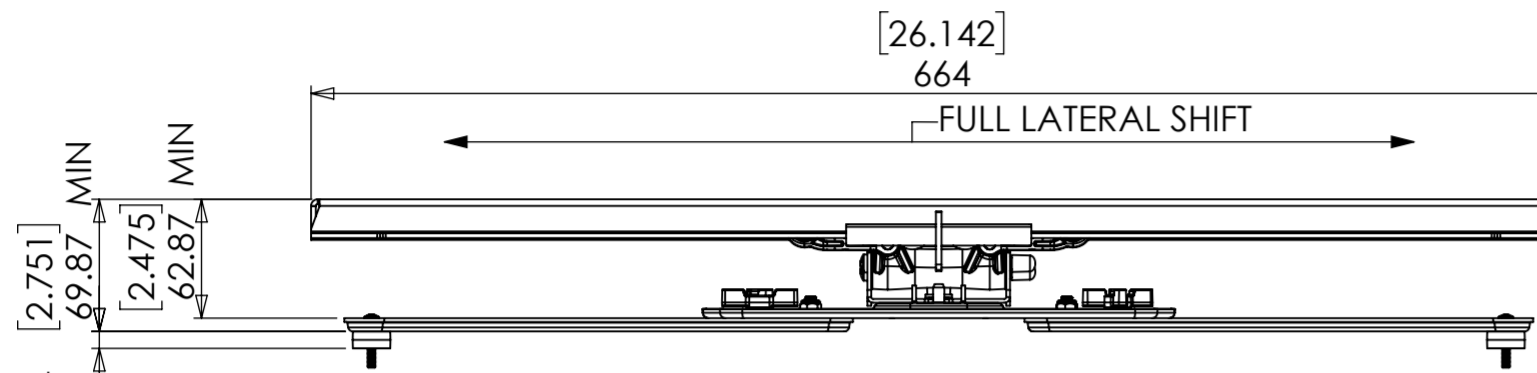
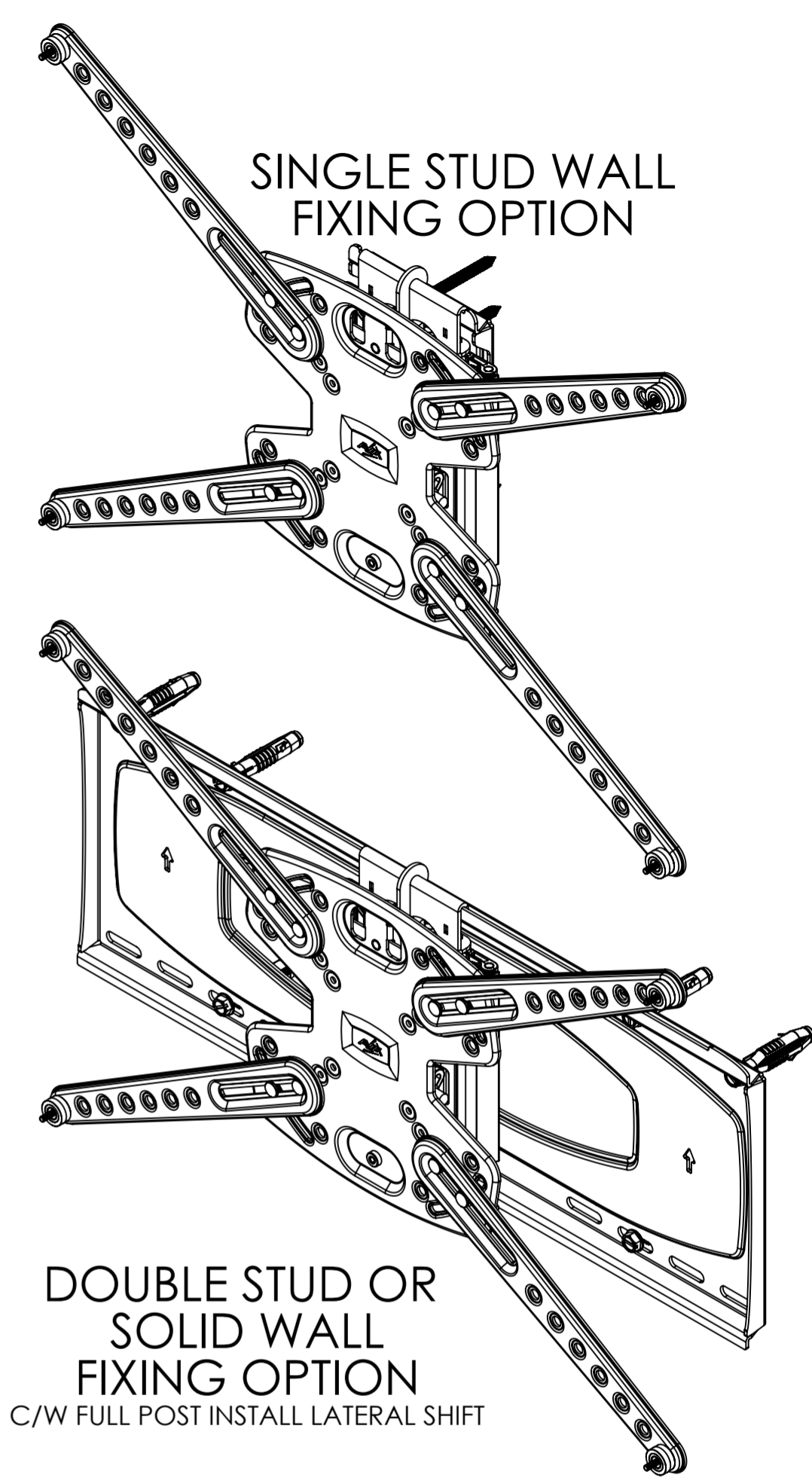
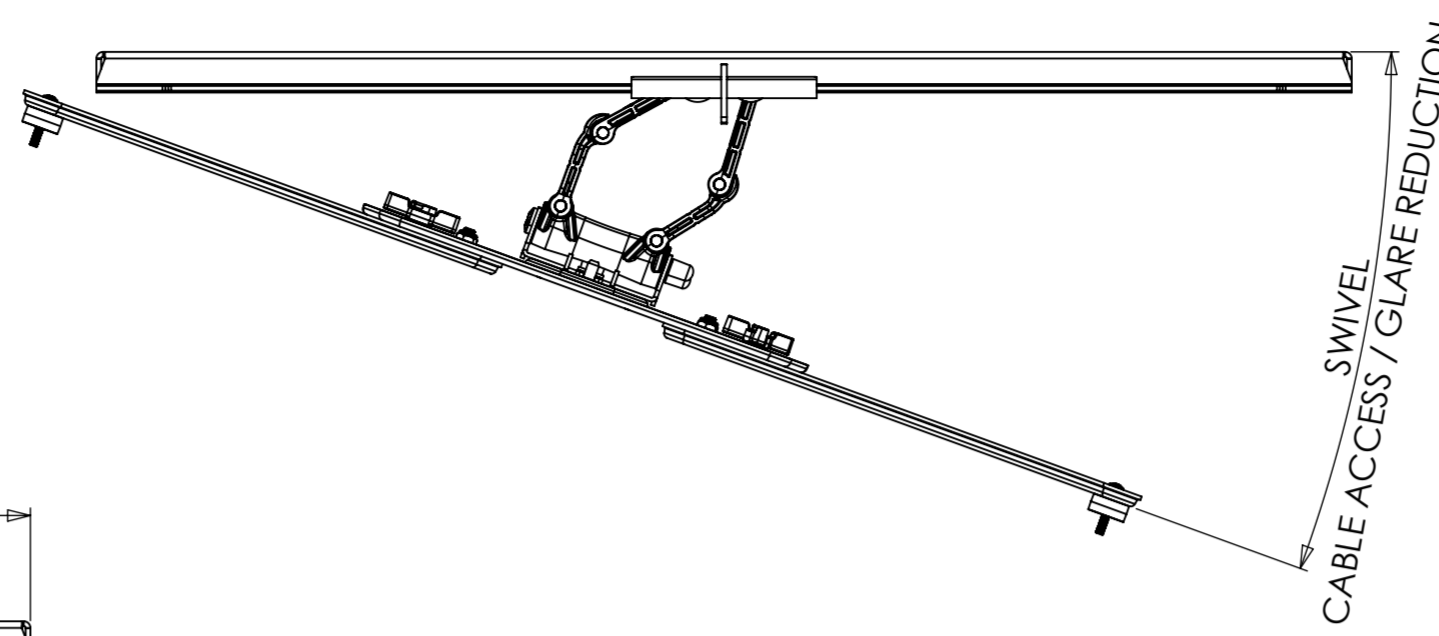


SINGLE STUD WALL FIXING OPTION

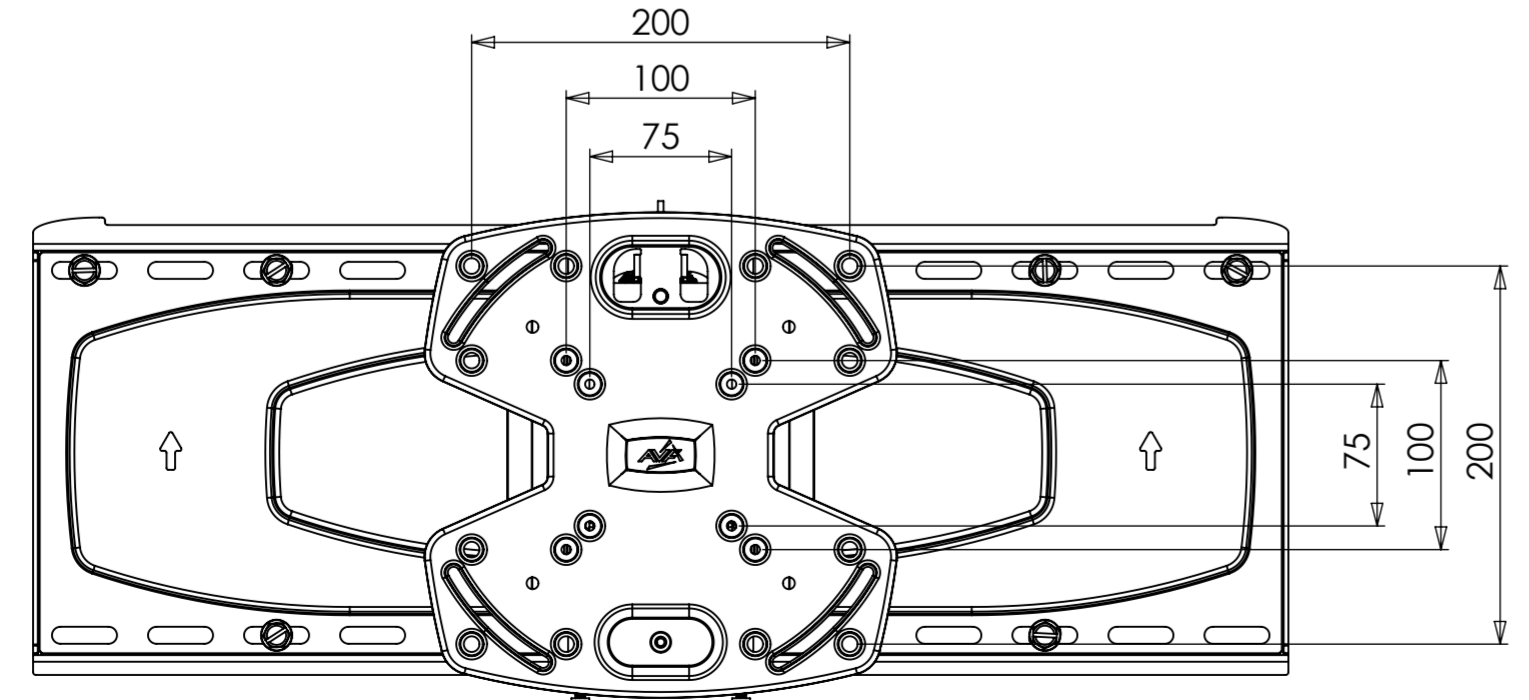
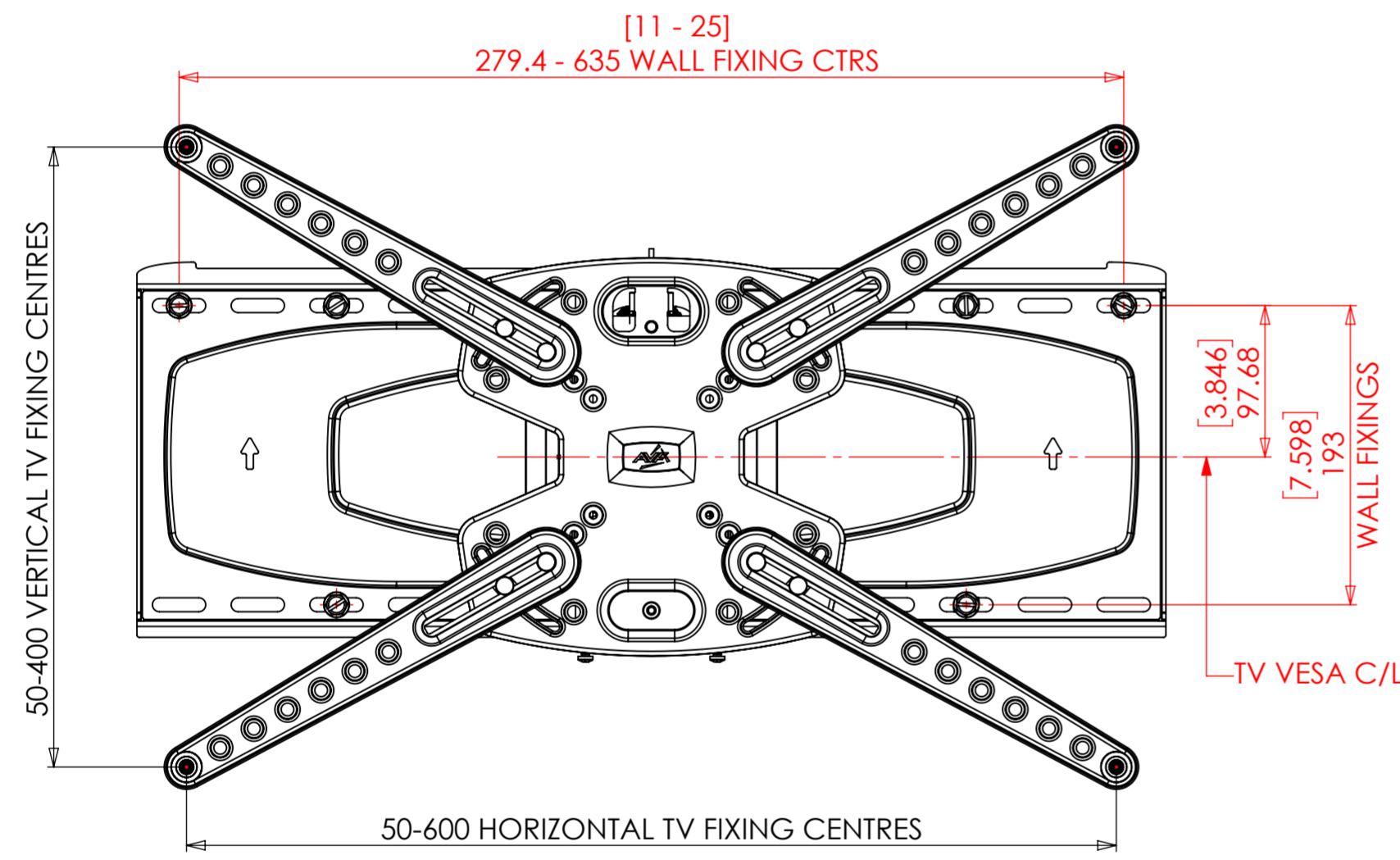


DOUBLE STUD OR SOLID WALL FIXING OPTION

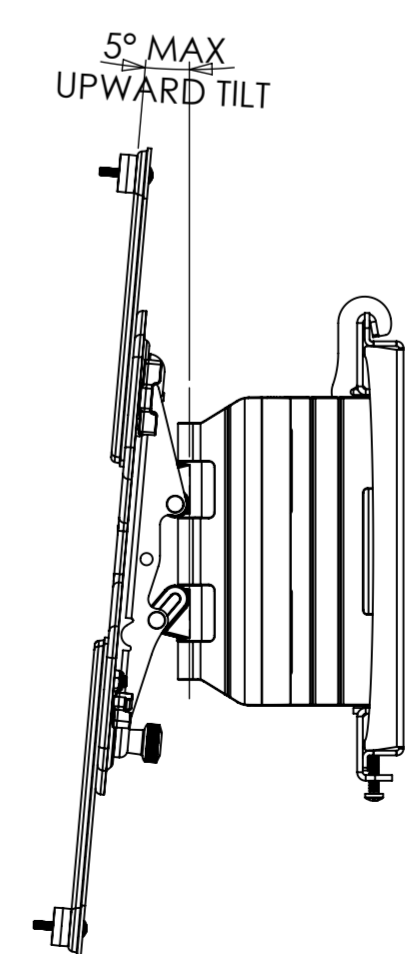
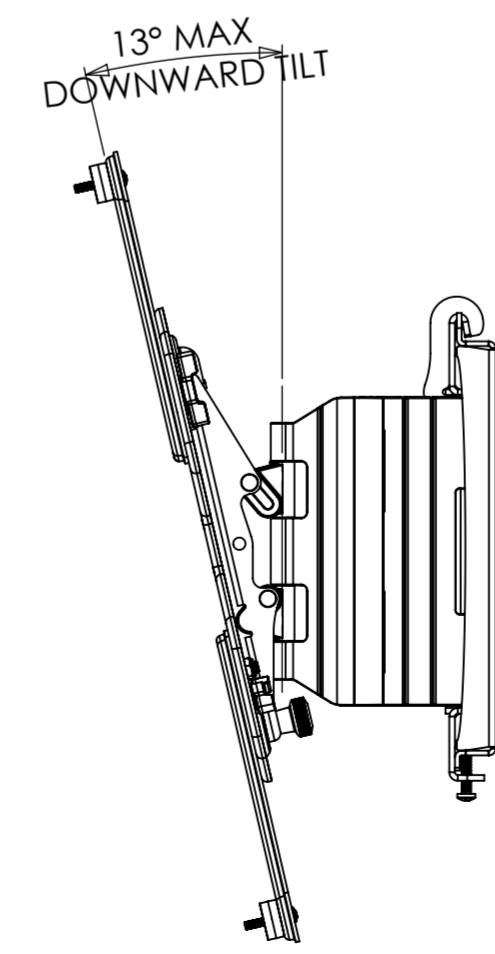
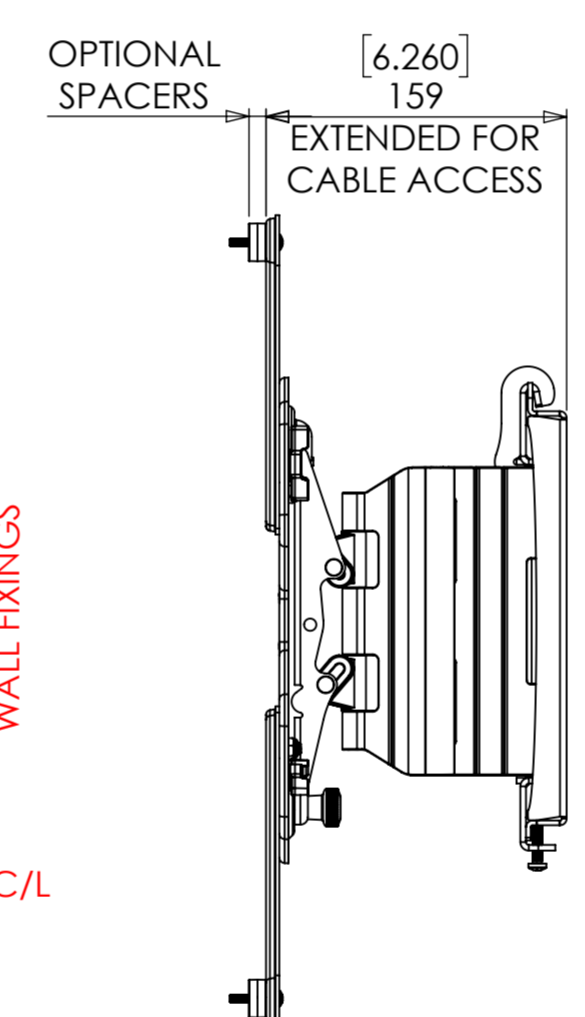


SINGLE STUD WALL FIXING OPTION

DOUBLE STUD OR SOLID WALL FIXING OPTION  
C/W FULL POST INSTALL LATERAL SHIFT



VESA CONFIGURATIONS WITHOUT ARMS



WEIGHT :-6495.85g  
AS SHOWN WITHOUT PACKAGING