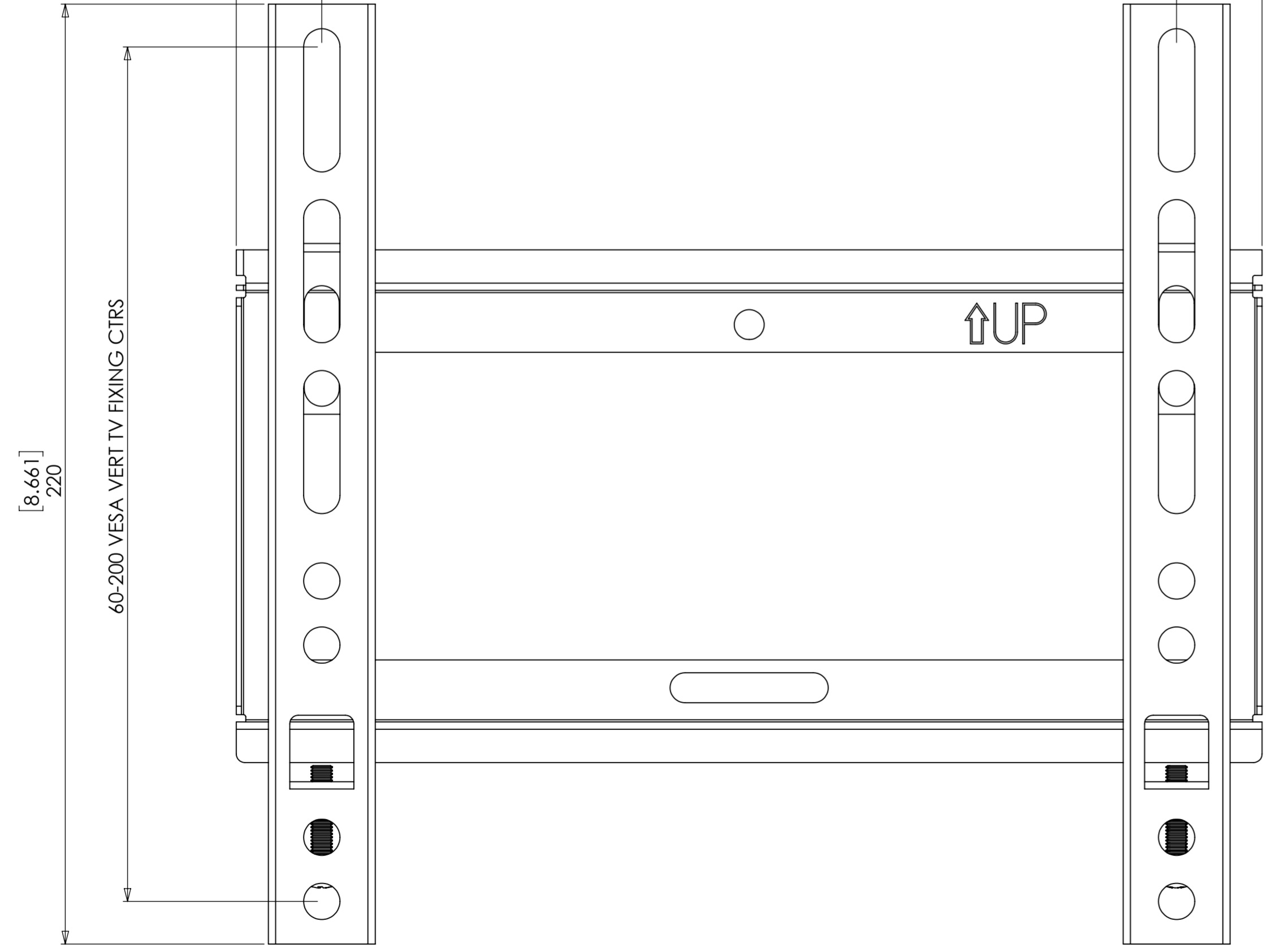


[9.449]
240

50-200 HORIZ TV FIXING CENTRES

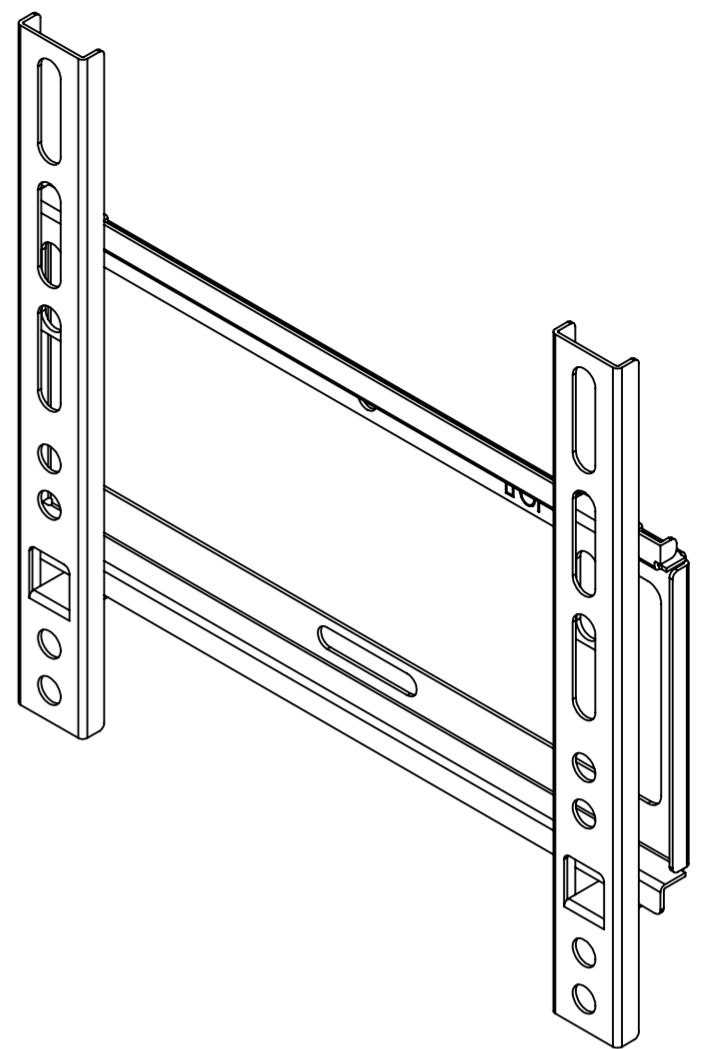
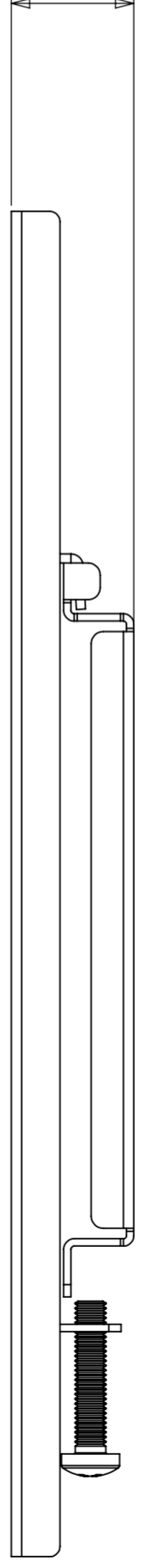


[8.661]
220

60-200 VESA VERT TV FIXING CTRS

↑UP

[0.791]
20.10 MIN



PRODUCT WEIGHT 336.73 grams
(AS SHOWN WITHOUT PACKAGING AND FIXINGS)

The copyright of this drawing is the property of AVF Group Ltd