

1 2 3 4 5 6 7 8

A

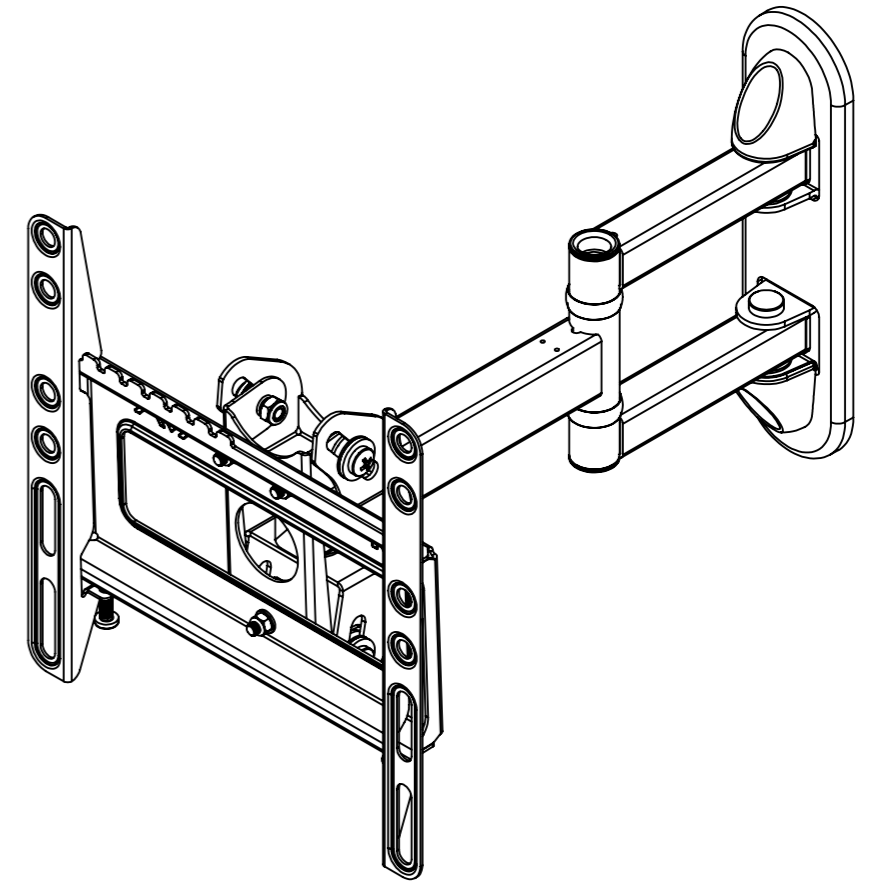
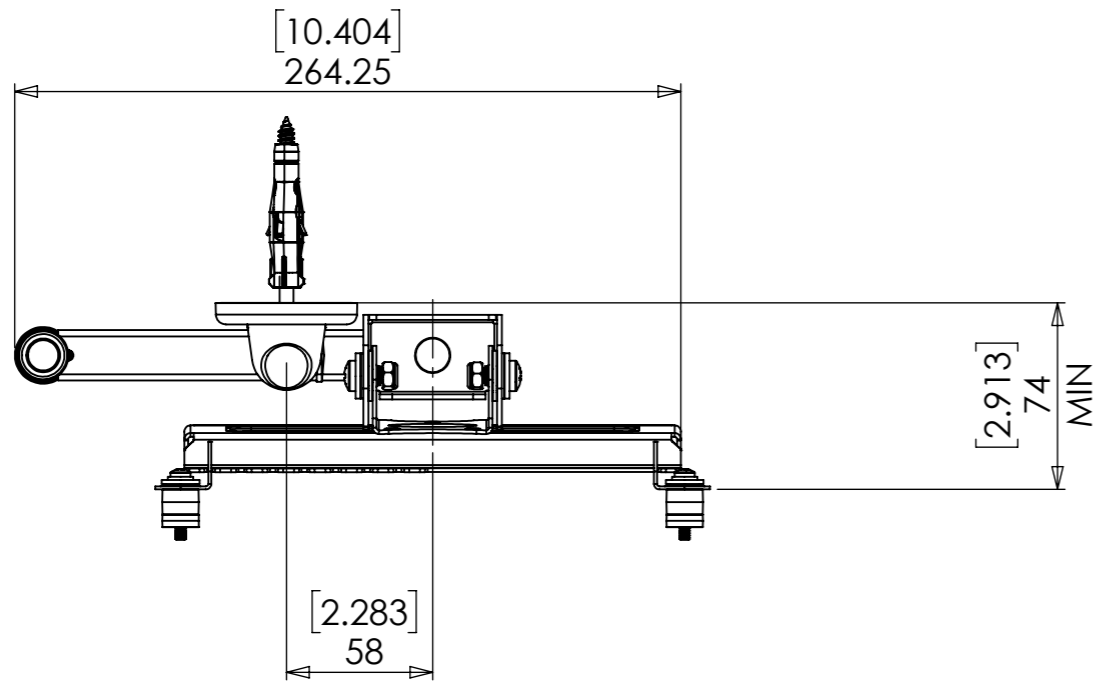
B

C

D

E

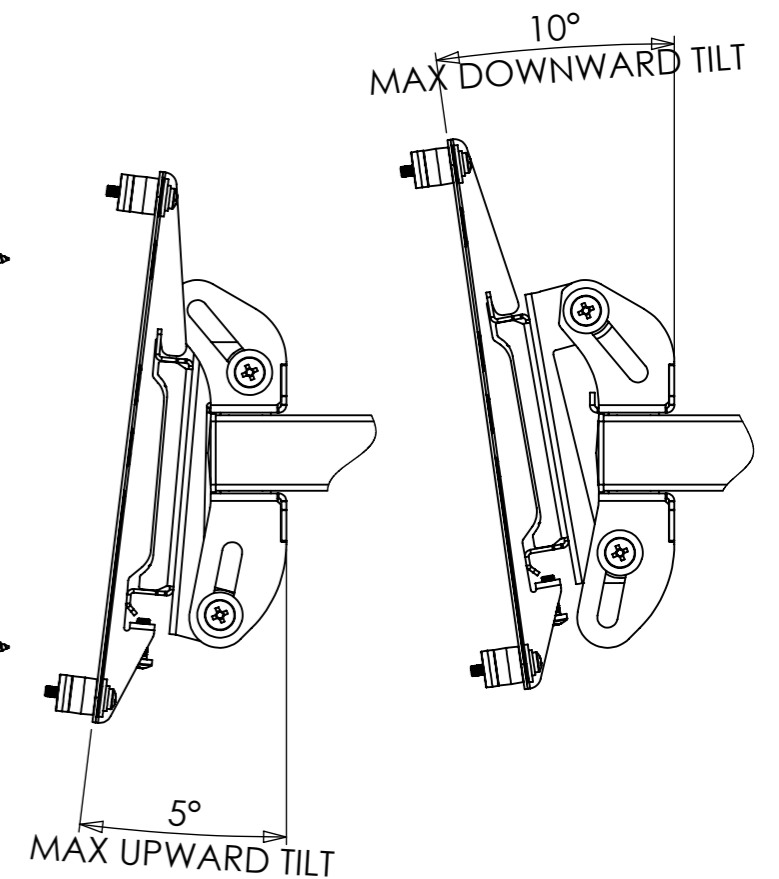
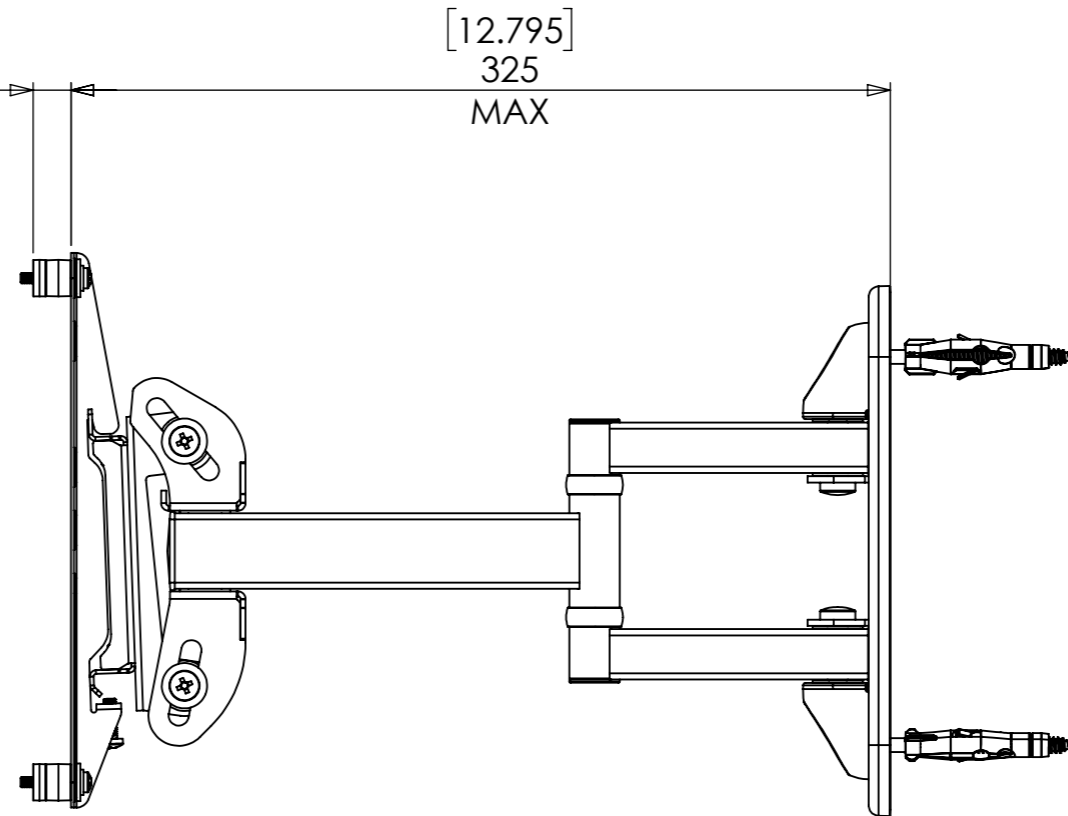
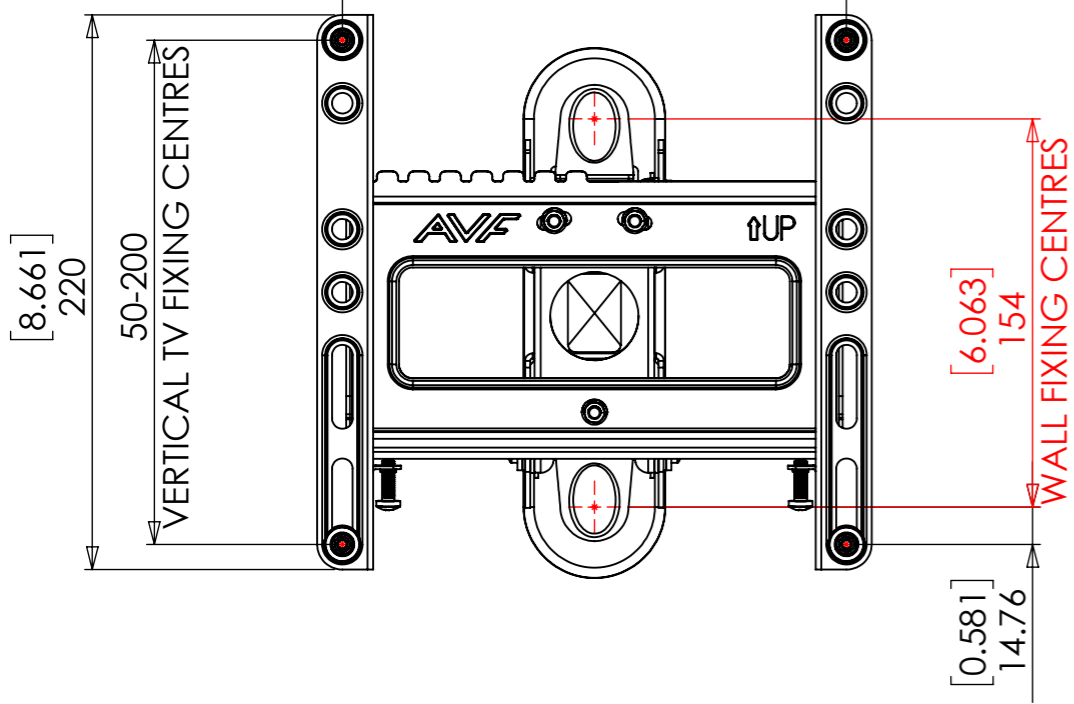
F



50-200
HORIZONTAL TV FIXING CENTRES

OPTIONAL
SPACERS

[12.795]
325
MAX



PRODUCT WEIGHT 1633.69 grams
(AS SHOWN WITHOUT PACKAGING AND TV FIXINGS)

The copyright of this drawing is the property of AVF Group Ltd