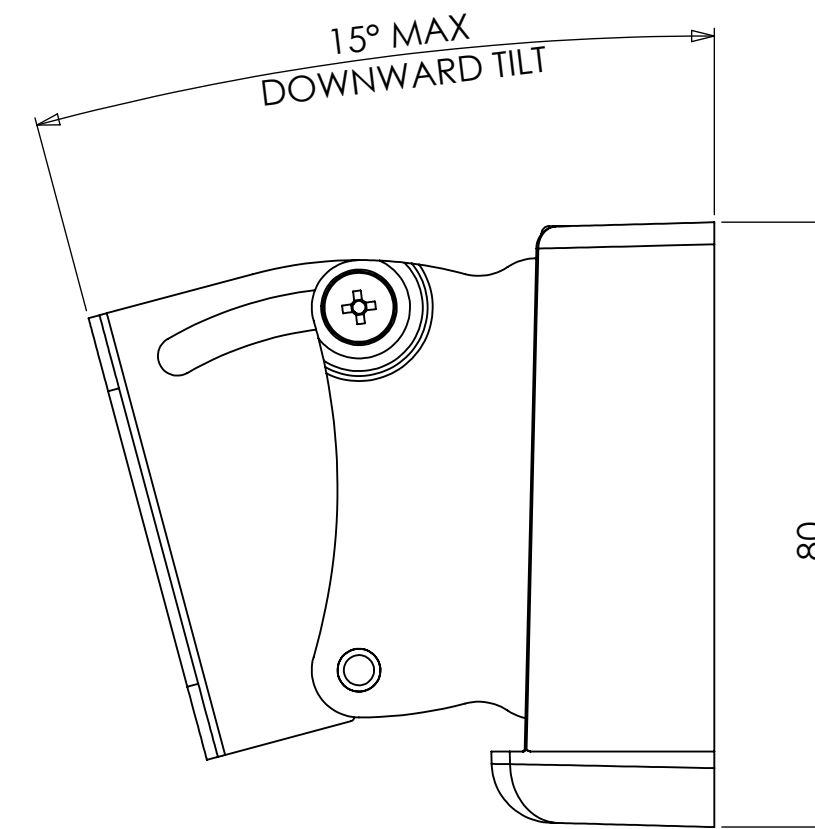
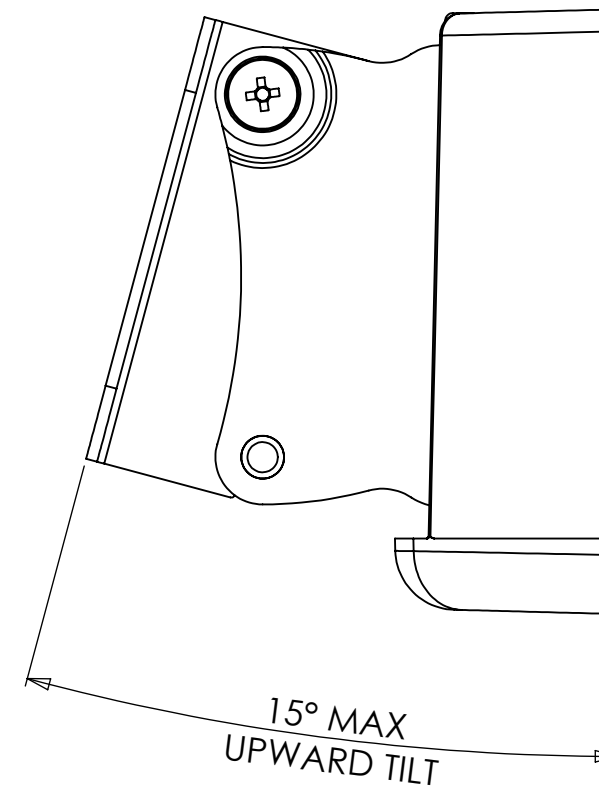
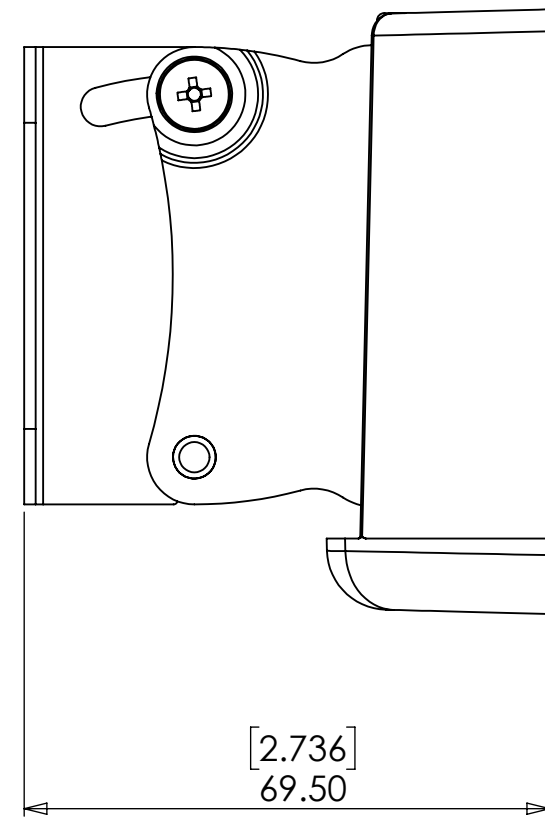
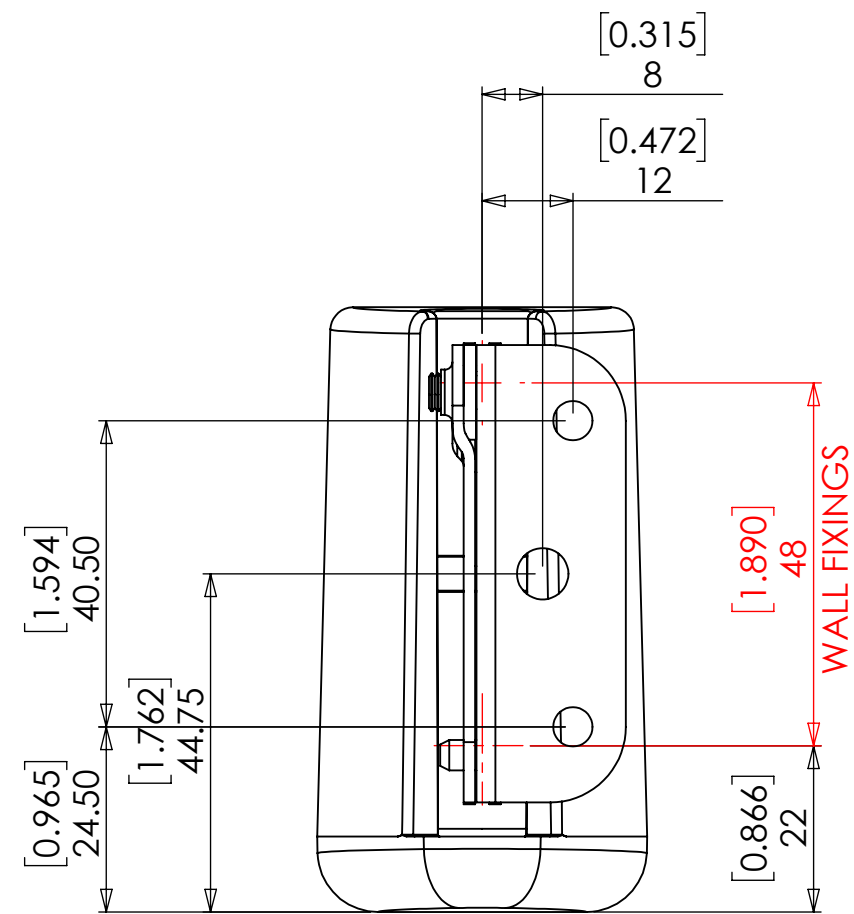


SUPPLIED AS A SET OF TWO



WEIGHT :- 426.51g PER PAIR  
WITHOUT PACKAGING