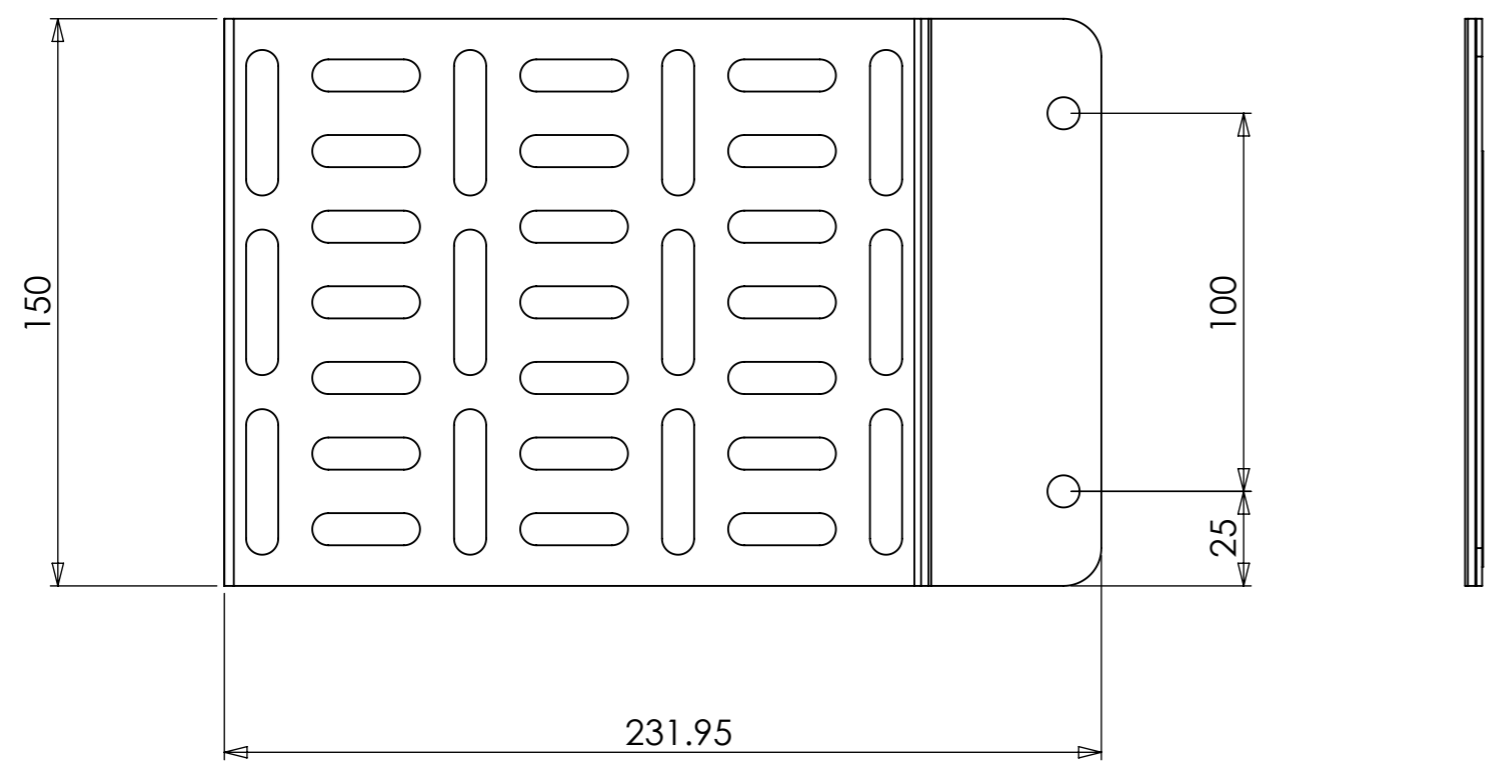
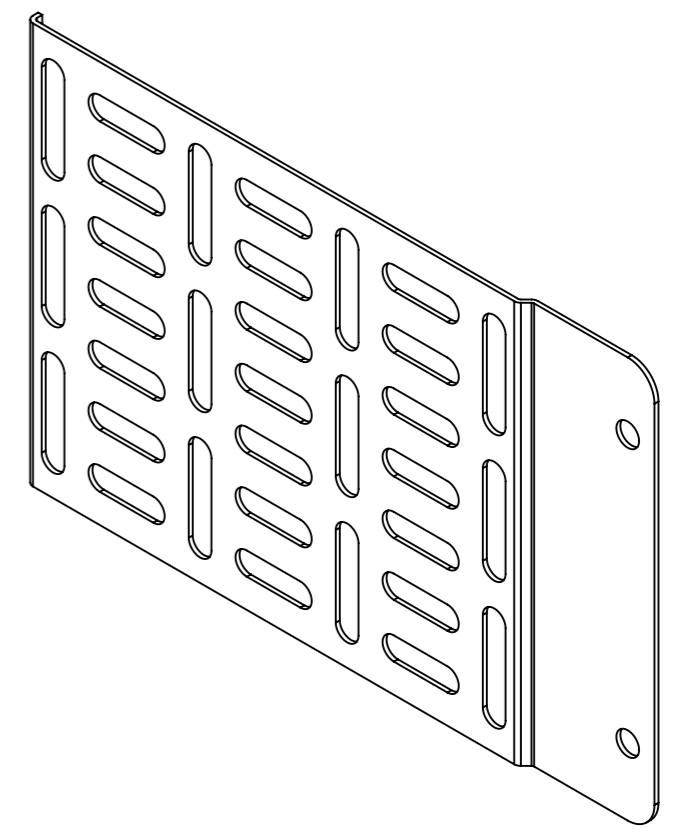


1 2 3 4 5 6 7 8

A
B
C
D
E
F



PRODUCT WEIGHT :- 312.12 grams
(AS SHOWN WITHOUT PACKAGING)