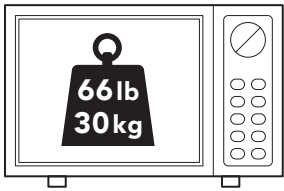
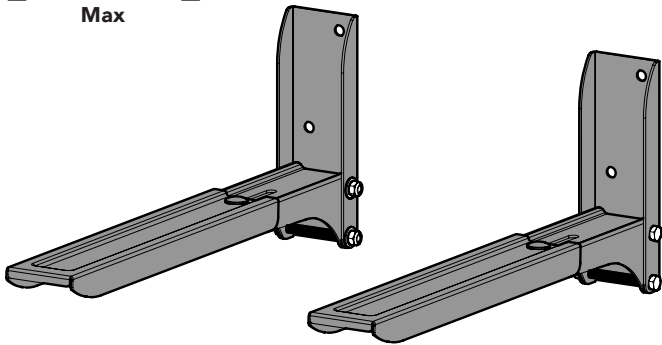


472244 rev00

Please read these instructions thoroughly before installation.



Max



If you have any questions or need spare parts don't worry, we're happy to help.

Customer Helpline

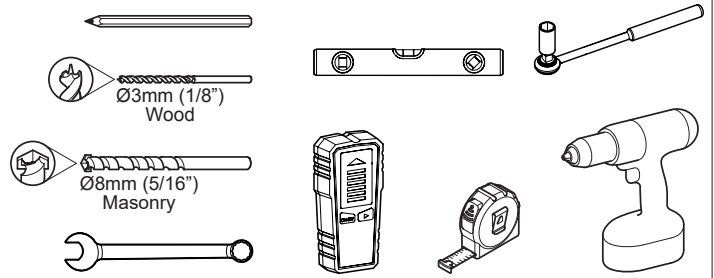
0333 320 0463

Online Support

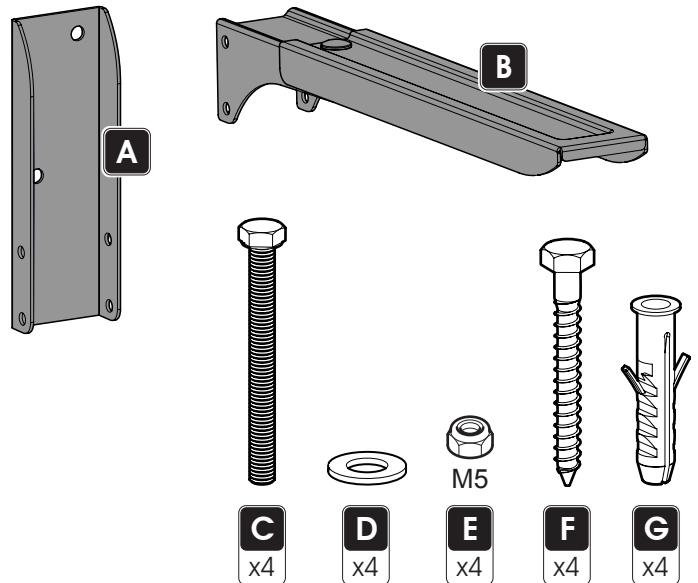
www.avfgroup.com/support

AVF Group Ltd. Hortonwood 30, Telford, Shropshire, TF1 7YE, England

Tools Recommended



Boxed Parts



How to Determine the Position of the Wall Brackets



If fitting to a Wood Stud Wall both brackets must be fixed to a wood stud. **DO NOT** fix the brackets to plasterboard only.



The distance between the brackets must be equal to or greater than the distance between the feet of your microwave.



Ideally the brackets should be positioned under a flat area on the underside of your microwave, wider apart than the feet. Alternatively, if there is no flat area on the underside of your microwave, the brackets should be positioned under the feet instead.

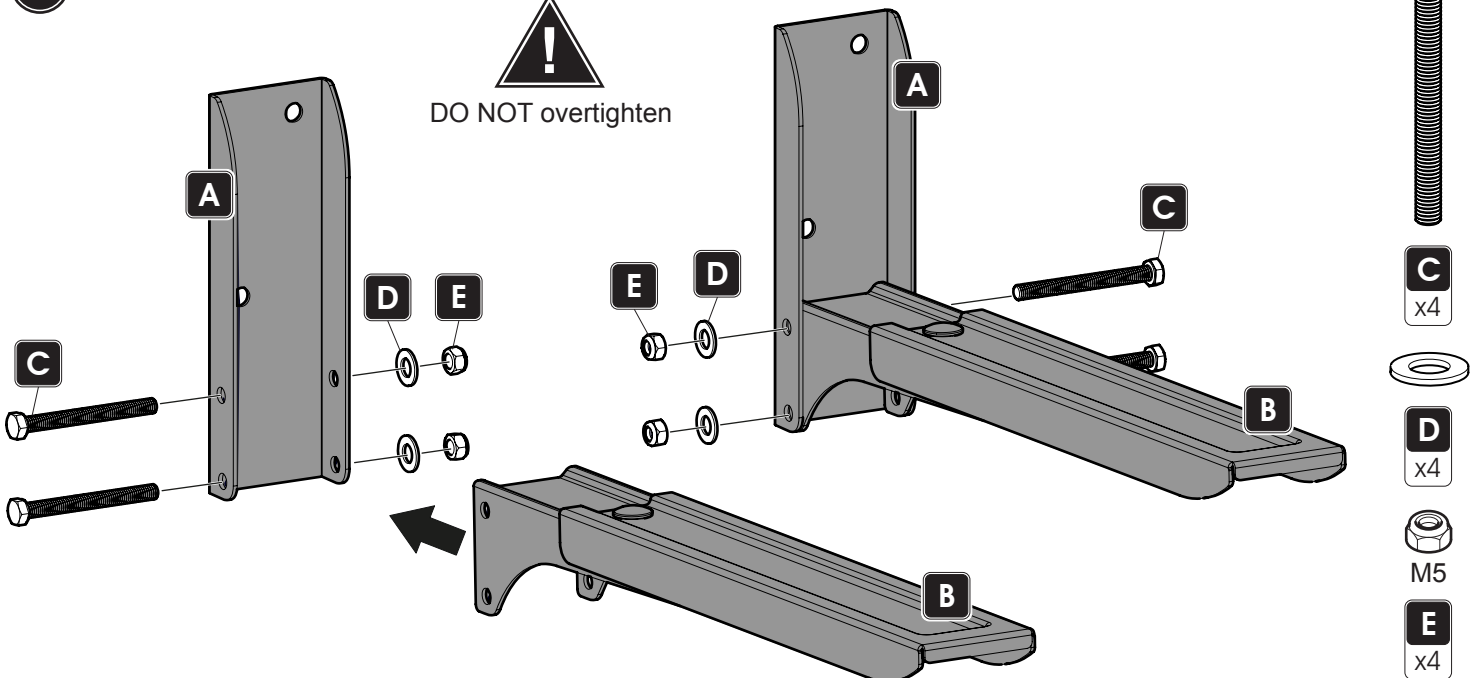


It is the responsibility of the installer to ensure the brackets are correctly installed and the microwave is secure. If in any doubt please contact the helpline or online support.

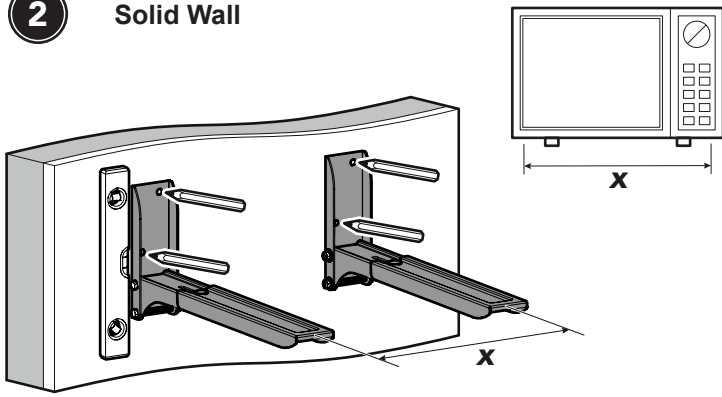
1



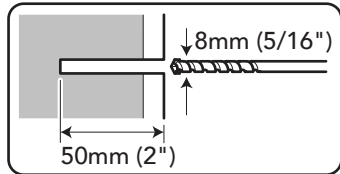
DO NOT overtighten



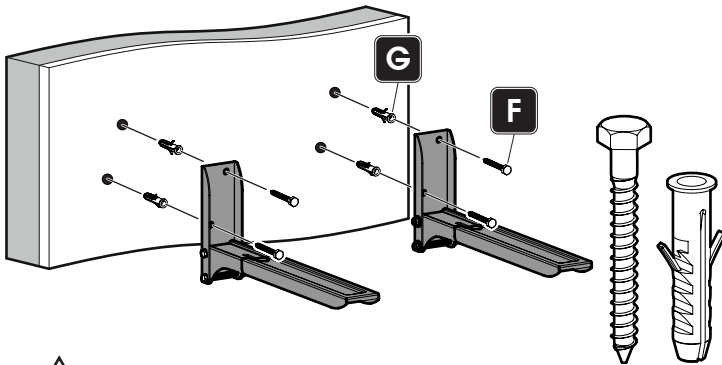
2 Solid Wall



Remove Dust from Hole.



Lubricate screw thread with soap.

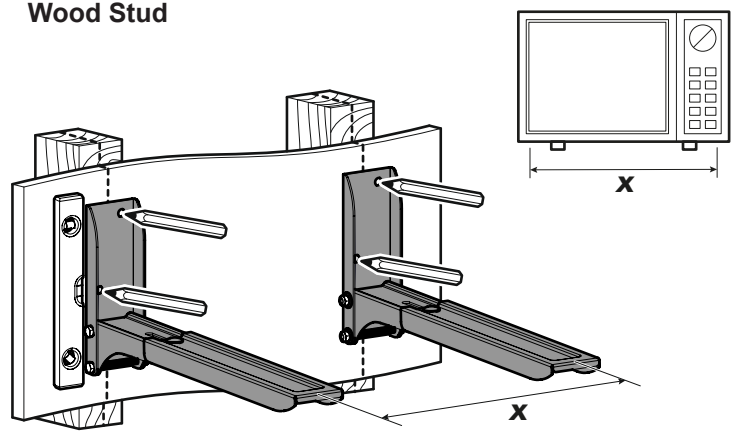


DO NOT overtighten screws. Tighten screws by hand only.

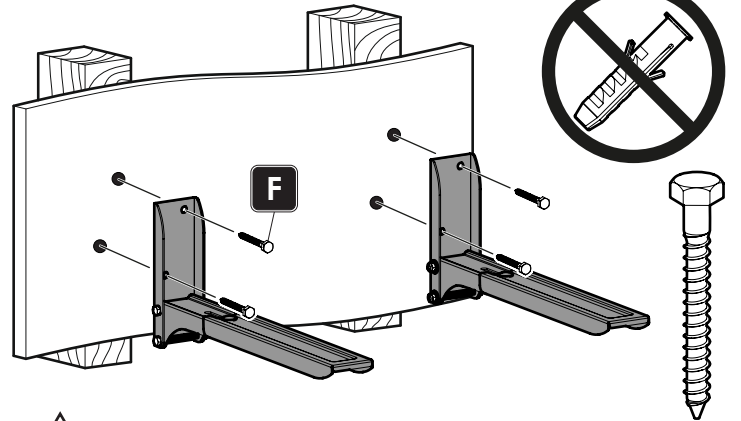
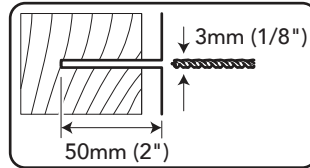
F
x4

G
x4

Wood Stud



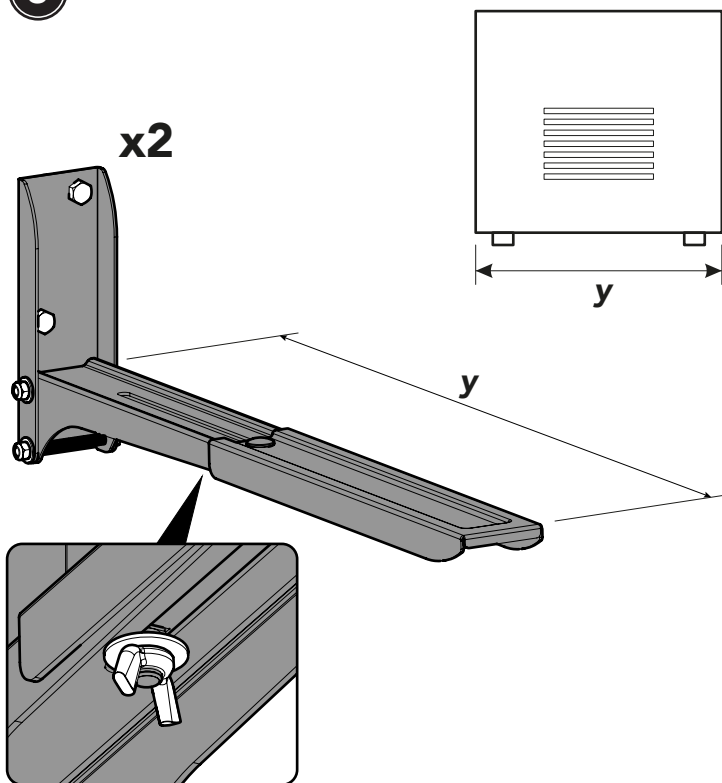
Ensure drill marks are in the centre of the wood stud.



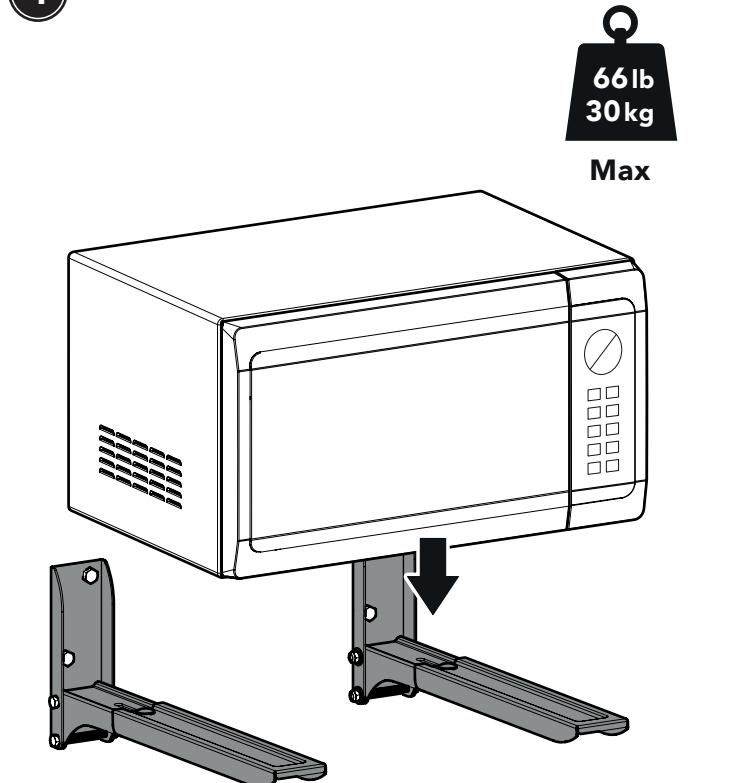
DO NOT overtighten screws. Tighten screws by hand only.

F
x4

3



4



66 lb
30 kg

Max