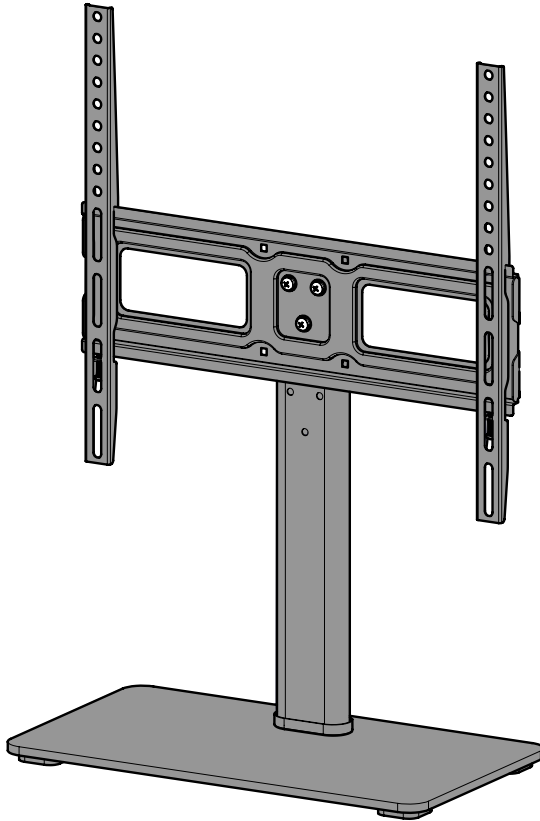


**472242 Rev00**

**Please read these instructions thoroughly before installation.**



If you have any questions or need spare parts don't worry, we're happy to help.

## **Customer Helpline**

**0333 320 0463**

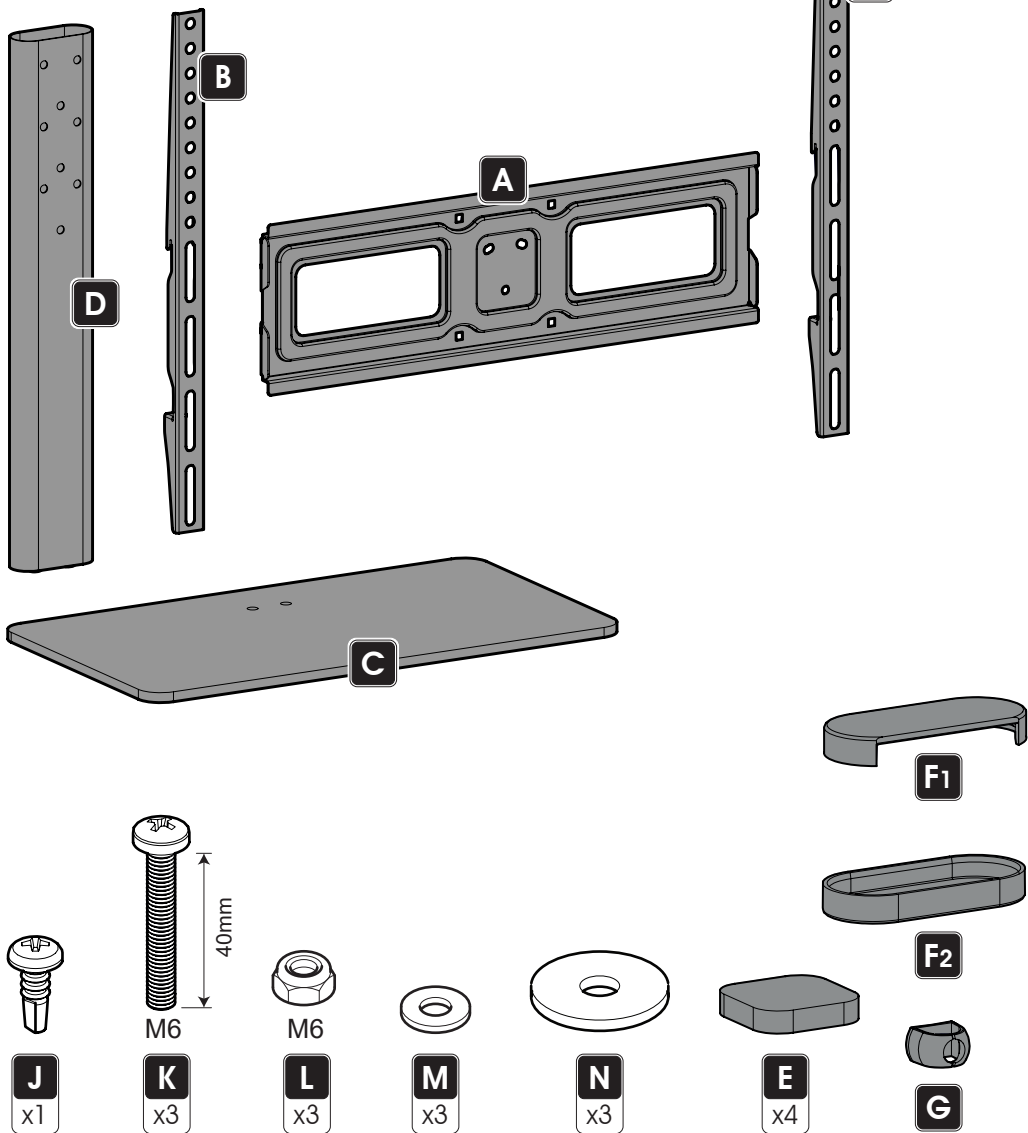
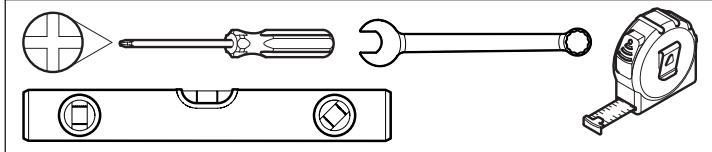
**Helpline Open** Mon to Thurs 9am - 5pm, Fri 9am - 4pm

## **Online Support**

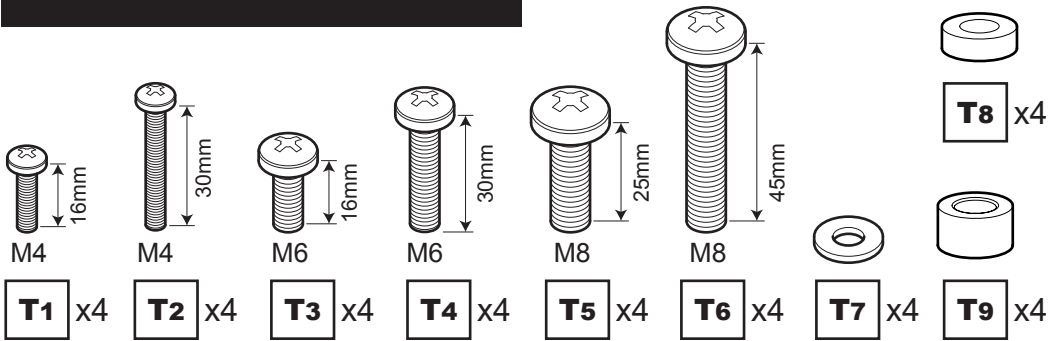
**[www.avfgroup.com/support](http://www.avfgroup.com/support)**

## Boxed Parts

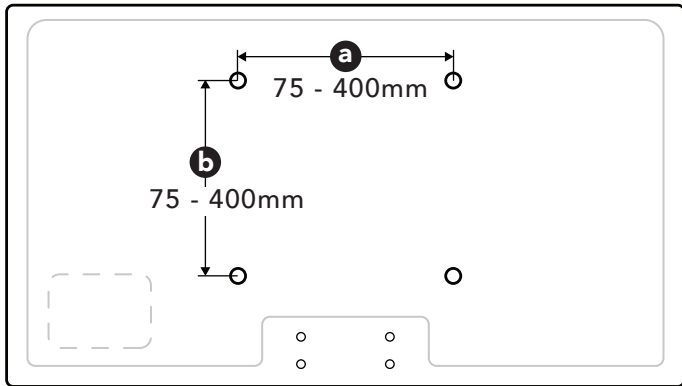
## Tools Recommended



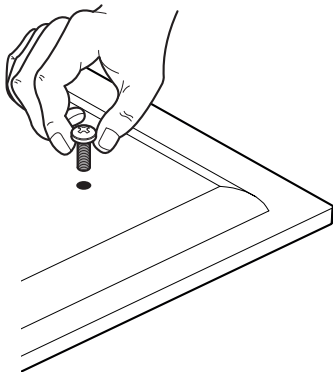
## TV Screws, Reducers and Spacers



## Measure the TV fixing holes Width and Height



If width **a** is greater than 400mm or height **b** greater than 400mm STOP installation now and contact the customer helpline.



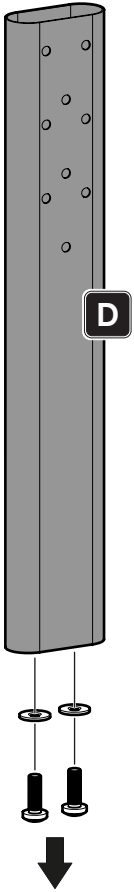
Determine which diameter TV Screws fit your TV and put them to one side.

**M4, M6 or M8**

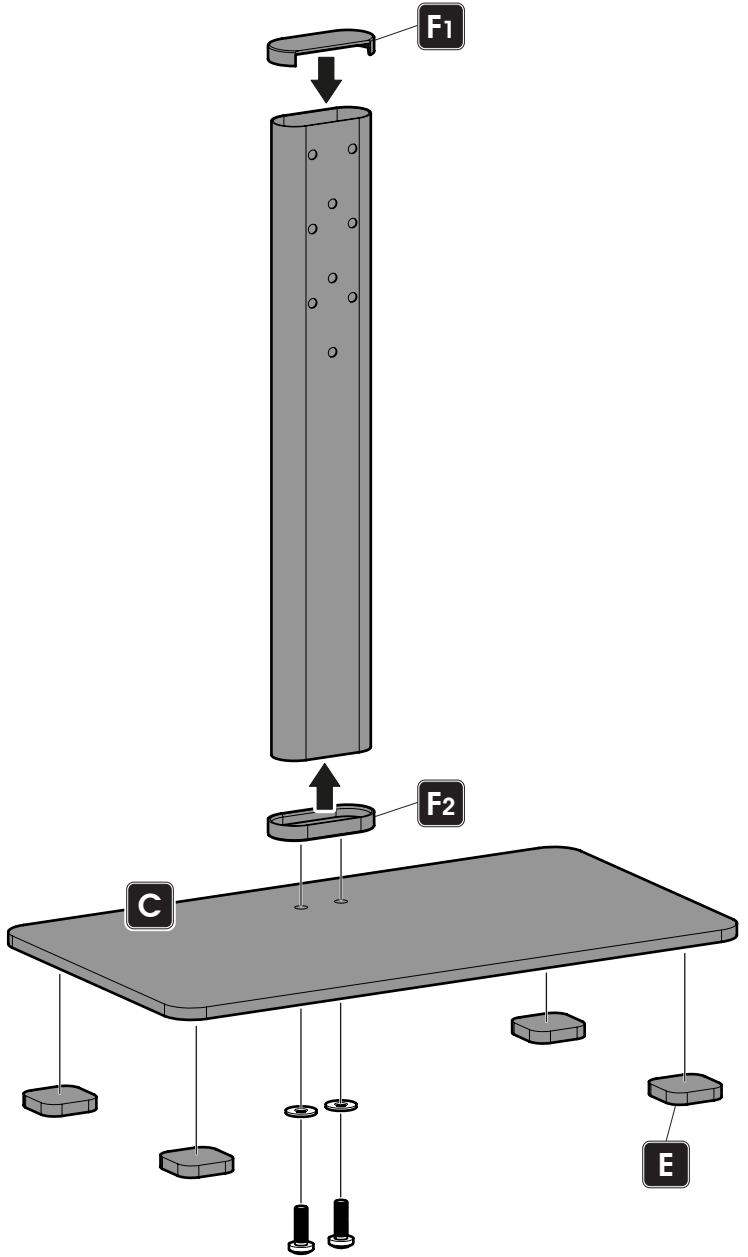
We will select the correct length later.

# 1

i



ii



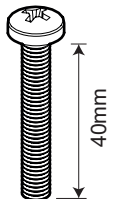
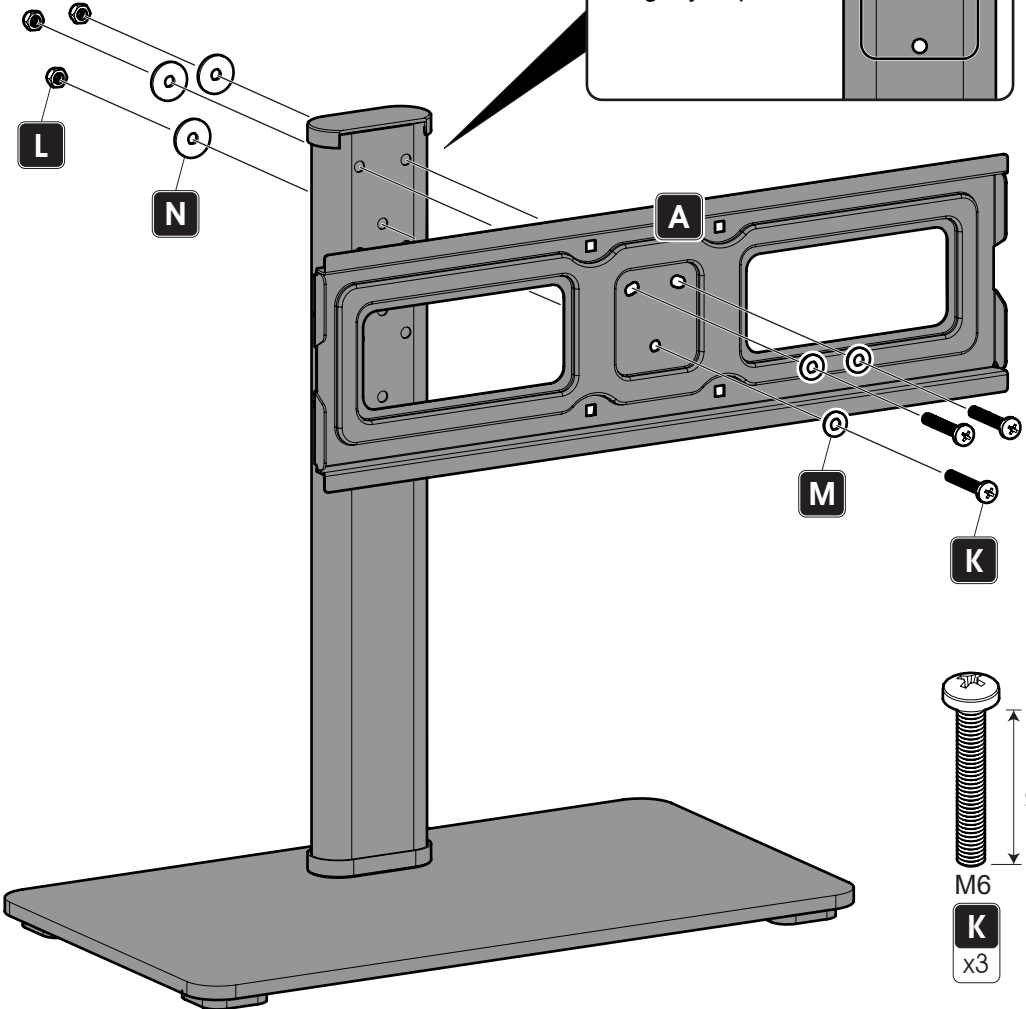
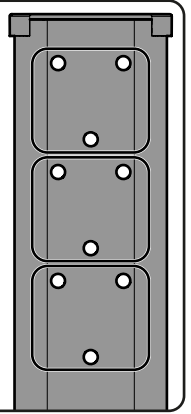
2



DO NOT fully tighten

### Height Options

Use the set of 3 holes that best suit your TV or the viewing height you prefer.



M6  
K  
x3

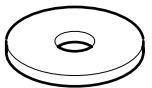


M6

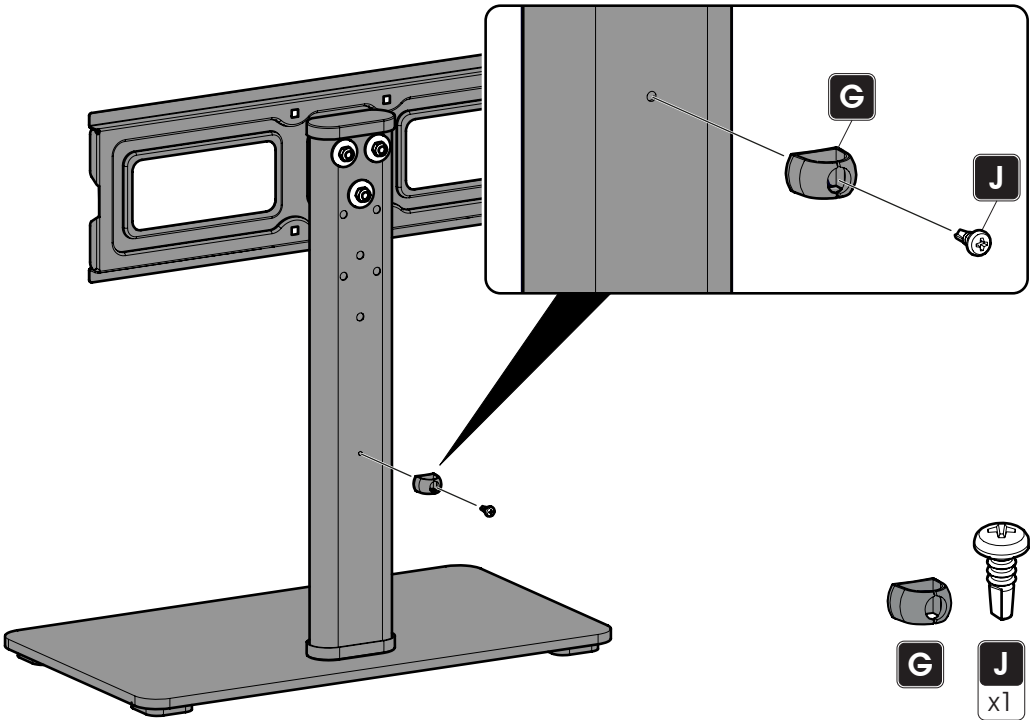
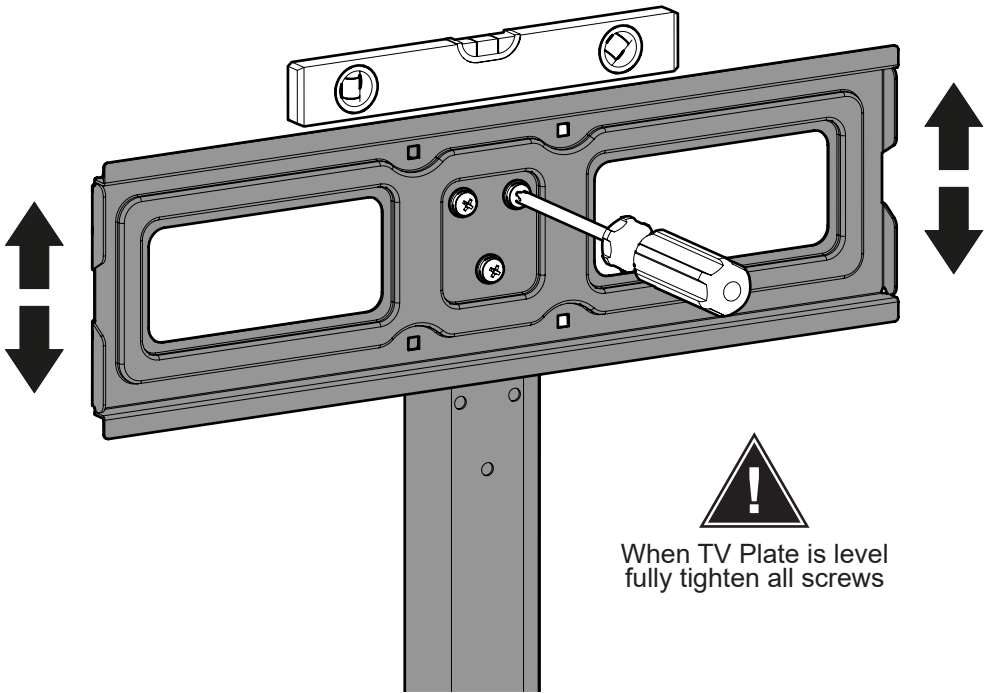
L  
x3

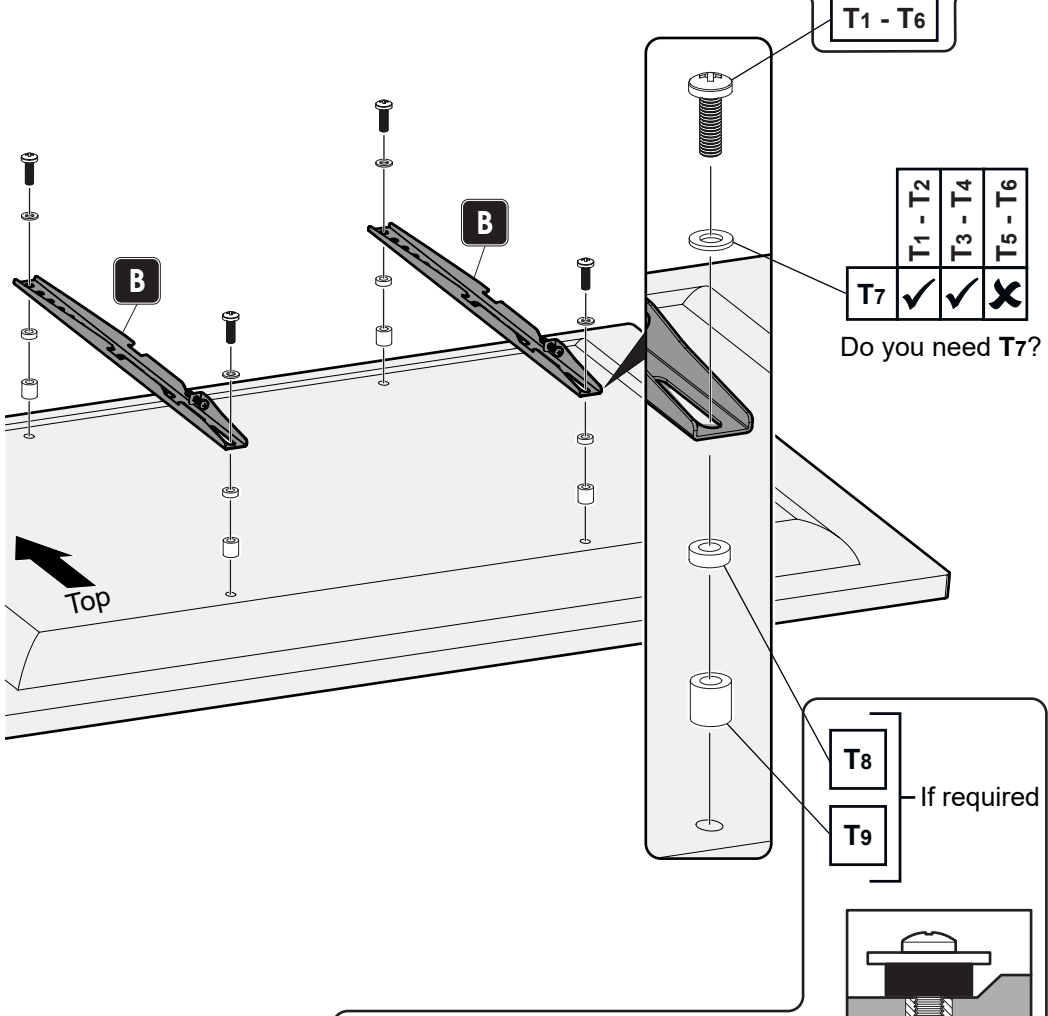
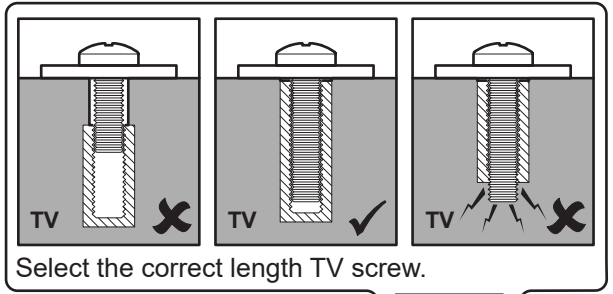


M  
x3



N  
x3





You may need to use Spacers **T8** or **T9** if the screws are too long or the back of your TV is not flat.

TV

4

