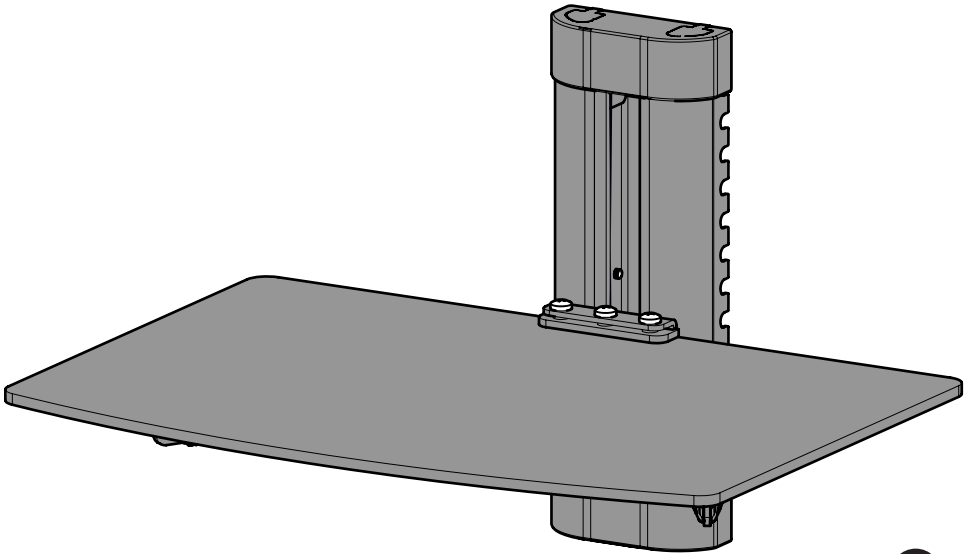


**472240 Rev00**

**Please read these instructions thoroughly before installation.**



If you have any questions or need spare parts don't worry, we're happy to help.

## **Customer Helpline**

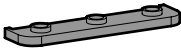
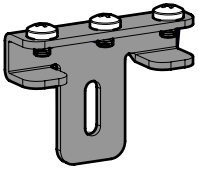
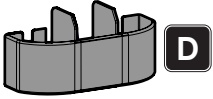
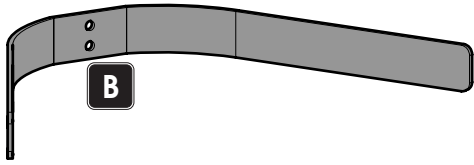
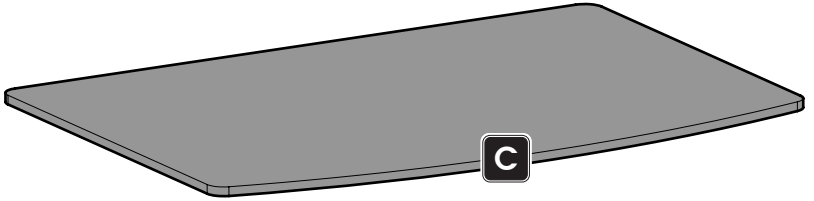
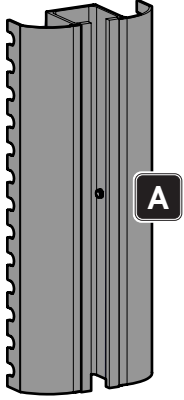
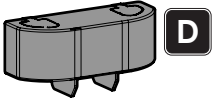
**0333 320 0463**

**Helpline Open** Mon to Thurs 9am - 5pm, Fri 9am - 4pm

## **Online Support**

**[www.avfgroup.com/support](http://www.avfgroup.com/support)**

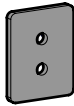
Boxed Parts



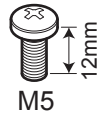
x2



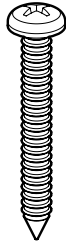
x2



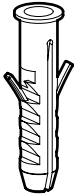
x2



K  
x2

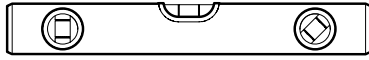


x2



x2

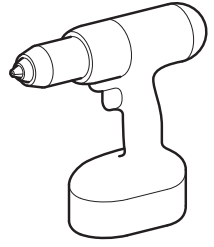
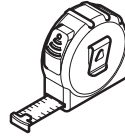
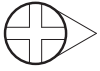
## Tools Recommended



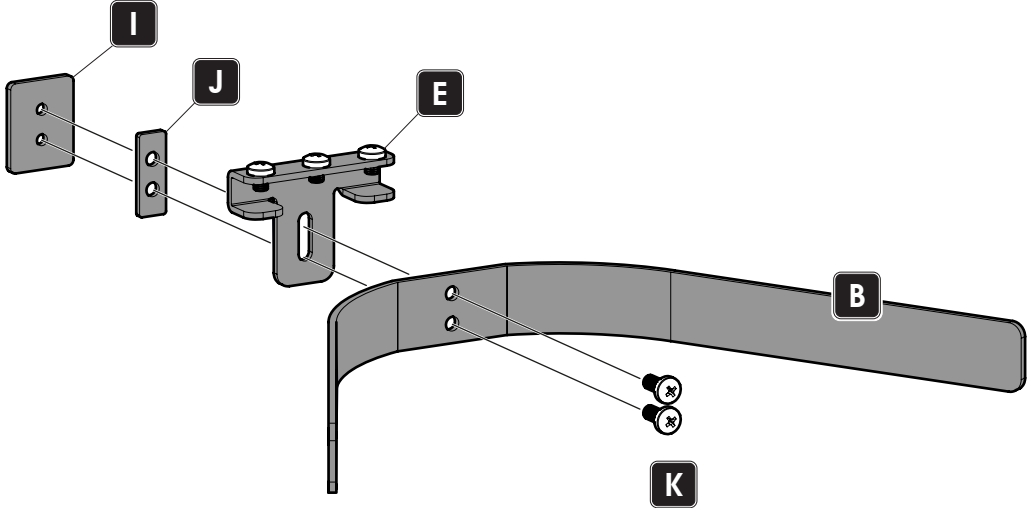
Ø3mm (1/8")  
Wood



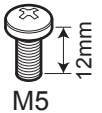
Ø8mm (5/16")  
Masonry



**1**



DO NOT fully tighten

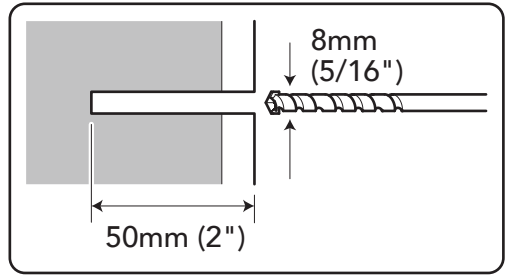
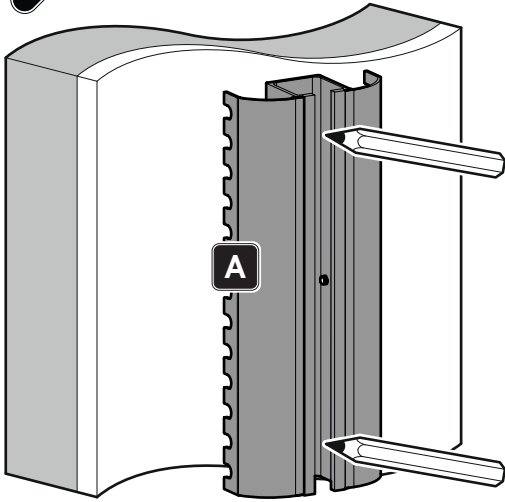


M5

**K**  
x2

2

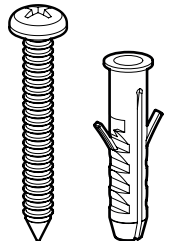
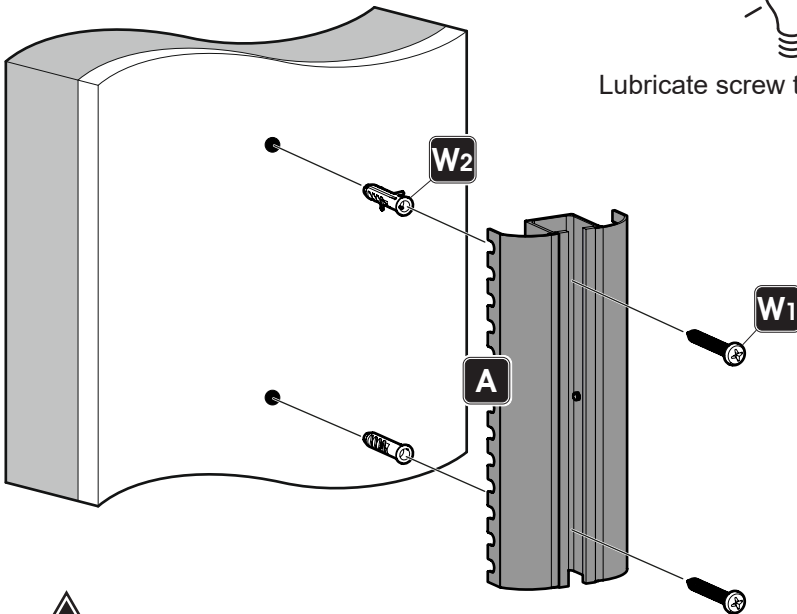
Solid Wall



Remove Dust from Hole.



Lubricate screw thread with soap.



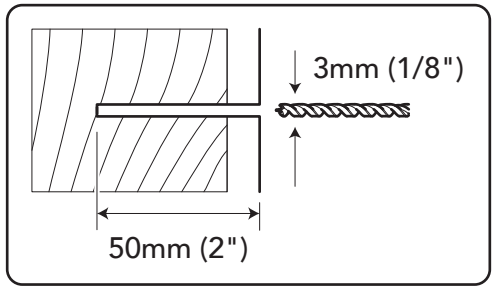
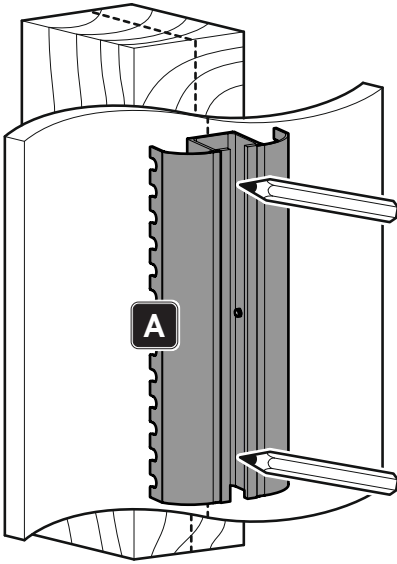
W1  
x2

W2  
x2

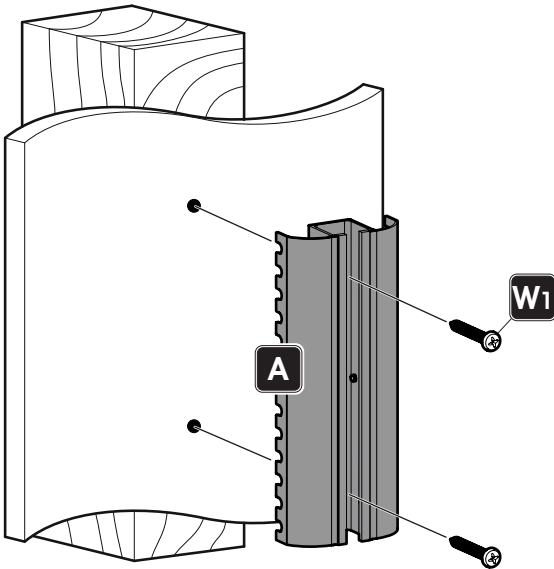


DO NOT overtighten screws.  
Tighten screws by hand only.

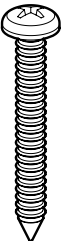
# Wood Stud



Ensure drill marks are in the centre of the wood stud.



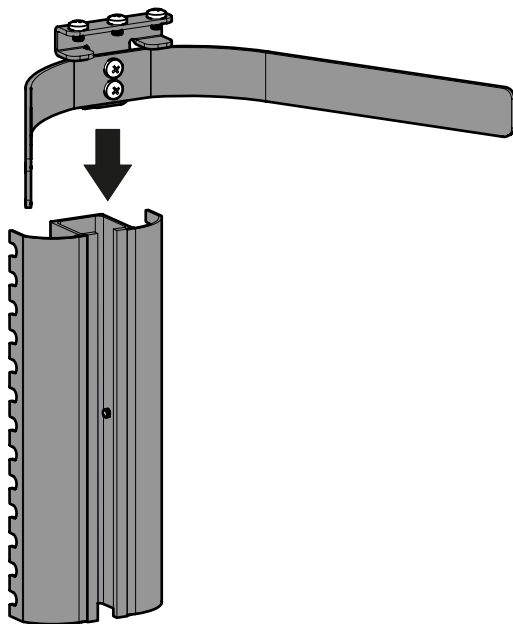
DO NOT overtighten screws.  
Tighten screws by hand only.



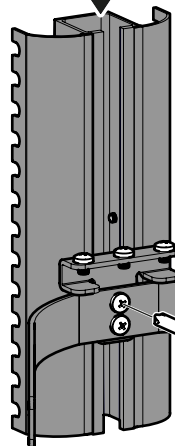
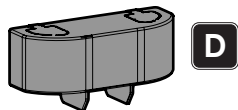
W1  
x2

3

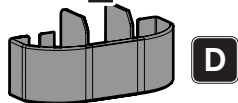
i



ii

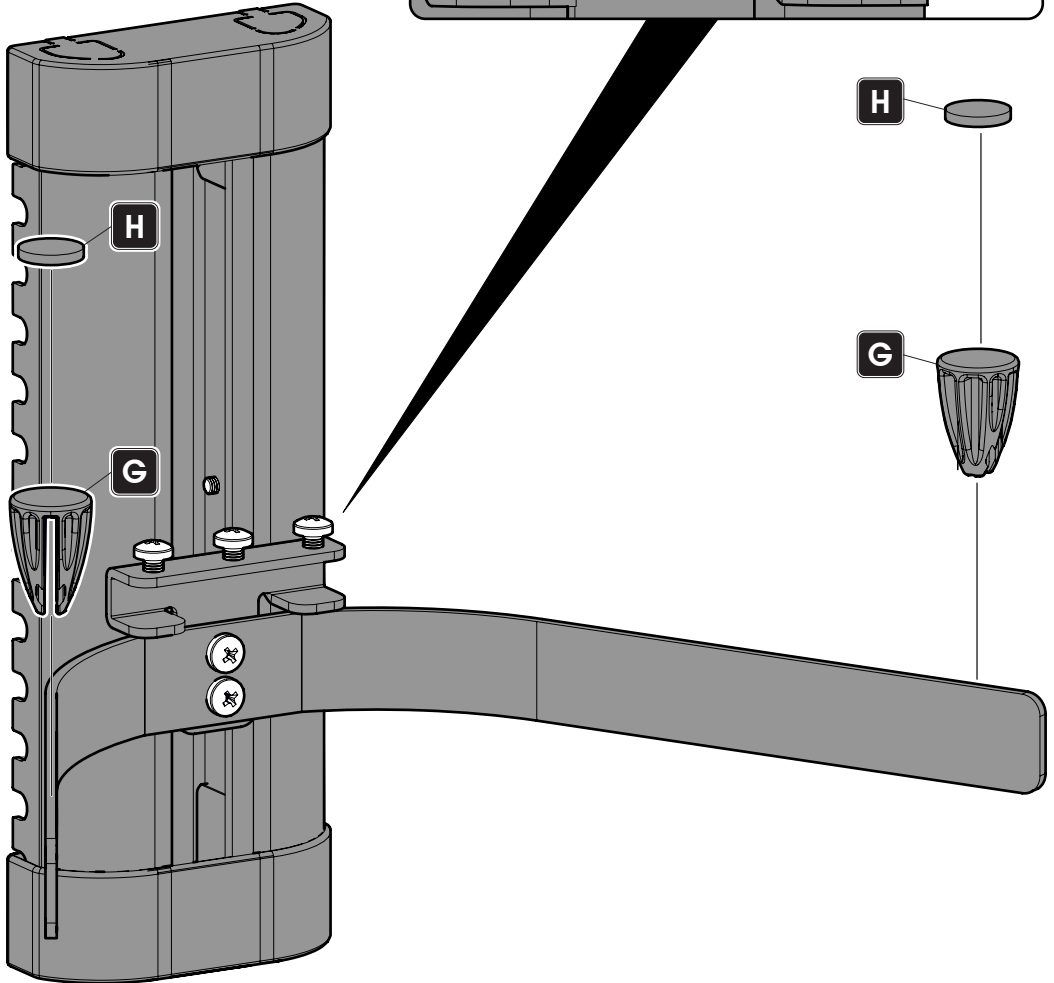
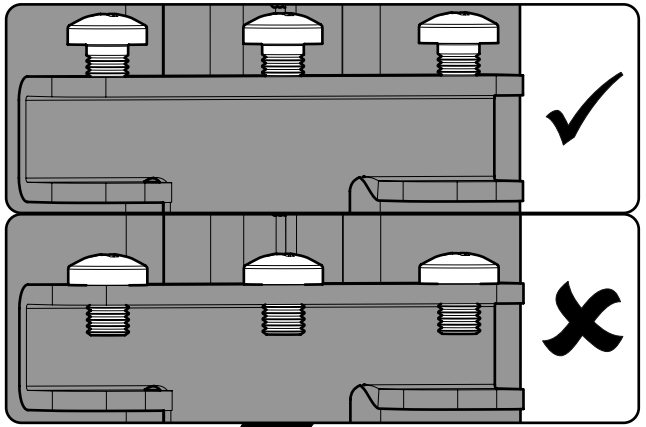


Fully Tighten Screws

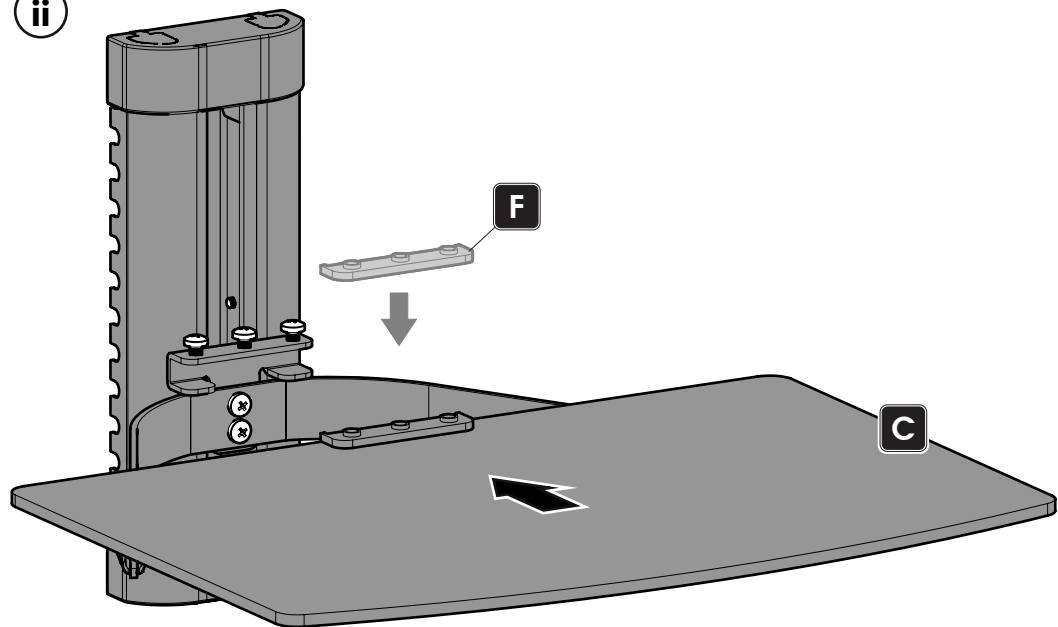


4

i



ii



iii

