

Welcome

and thank you for choosing



Installation is *EASY*
with our step-by-step
Video Guide



Scan here or visit
avf-info.com/vid65en

We're happy to help!



1-800-667-0808



avf-info.com/support

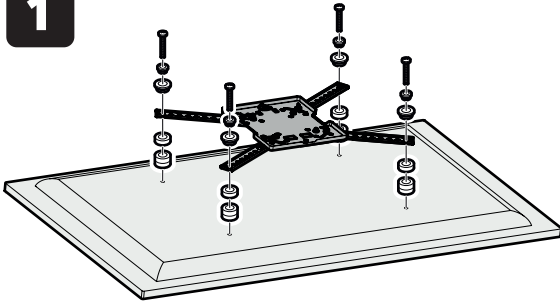


Mount your TV in 3 easy steps!

Assembly Overview



1



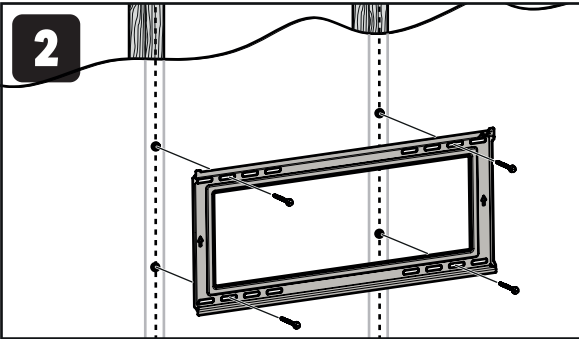
Attach the TV Mounting Plate to the TV

Installation Video Guide

1



2

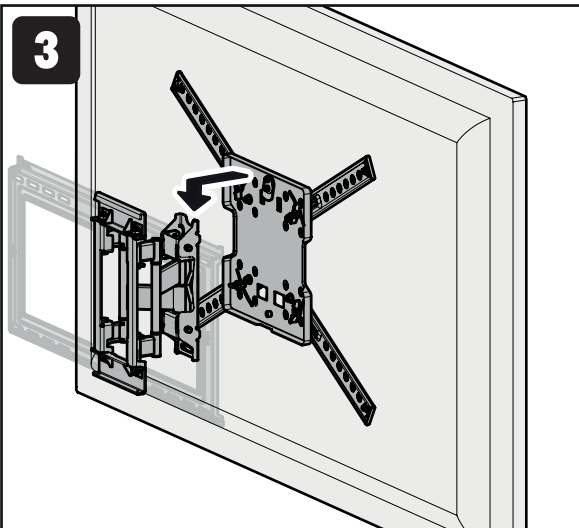


Attach the Wall Plate to the Wall

2



3



Hook the TV on to the Mount Arm

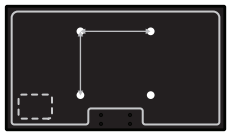
3





CAUTION

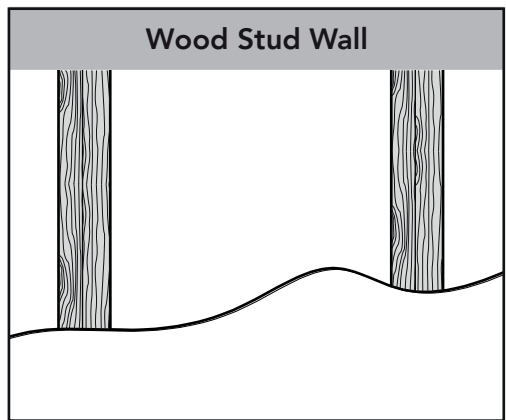
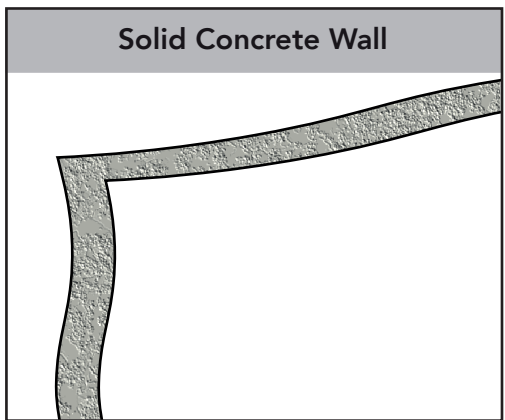
Use with products heavier than capacity may result in instability causing possible injury



VESA
100 x 100mm
up to
600 x 400mm



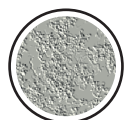
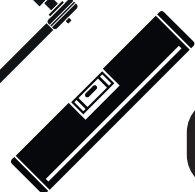
Suitable Wall Types



You will need



Stud Finder

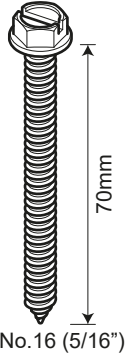
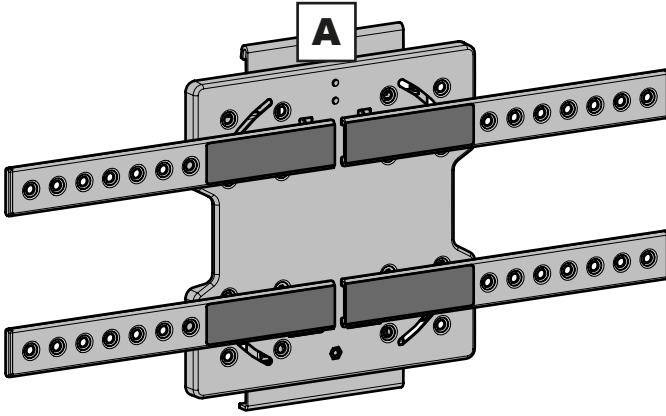


Ø 12mm / 15/32"
Masonry

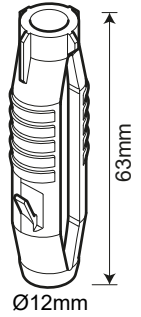
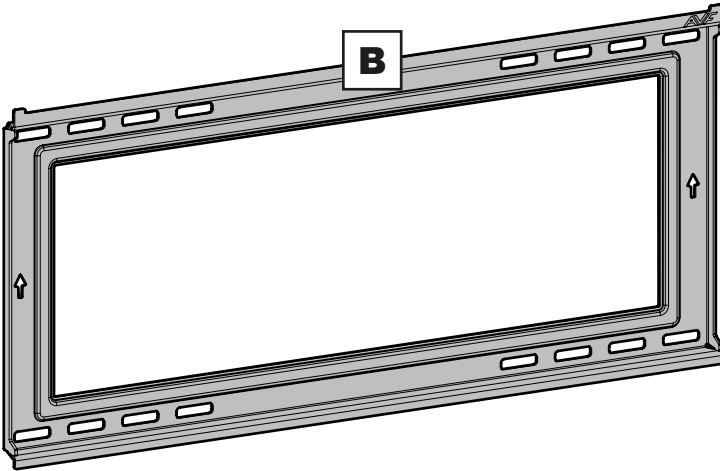


Ø 5mm / 13/64"
Wood

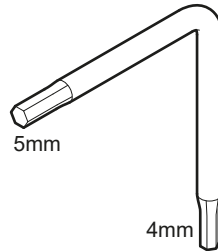
Parts Included



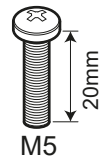
K x6



L x6



N



M x2



1-800 667 0808

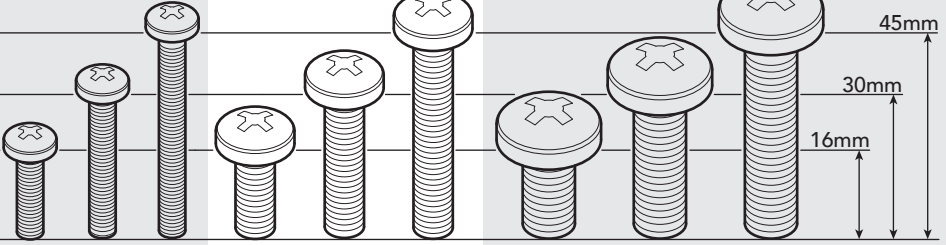
Contact us for help!

TV Fixings

M4

M6

M8



Length of Screw Thread

J1
x4

J2
x4

J3
x4

J4
x4

J5
x4

J6
x4

J7
x4

J8
x4

J9
x4

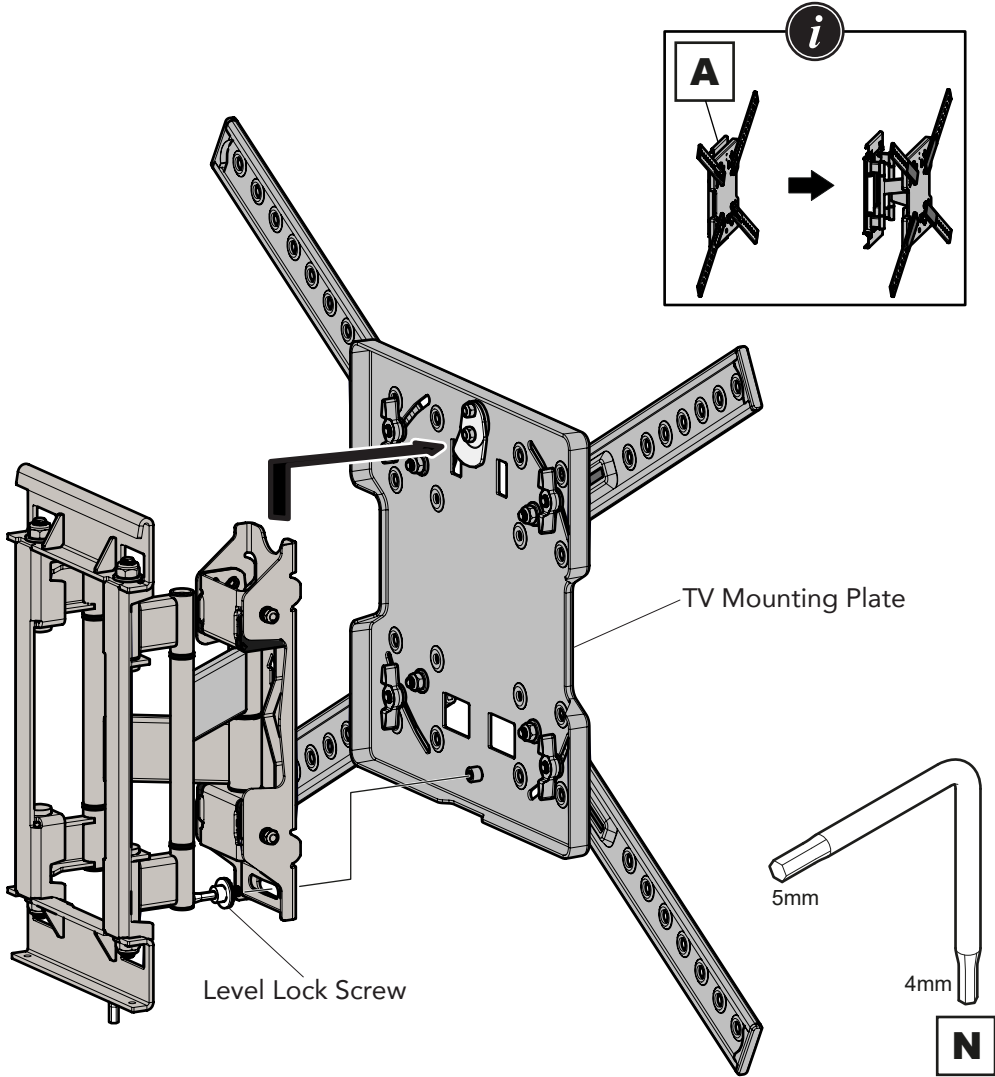


You won't need all these screws.
Just use the screws that fit your TV.
Keep left over screws in a safe place.



1A Preparing the TV Mounting Plate

Before you can attach the TV mounting plate to your TV you need to remove the plate from your wall mount.



i Remove the Level Lock Screw and safely keep for Step 3A.

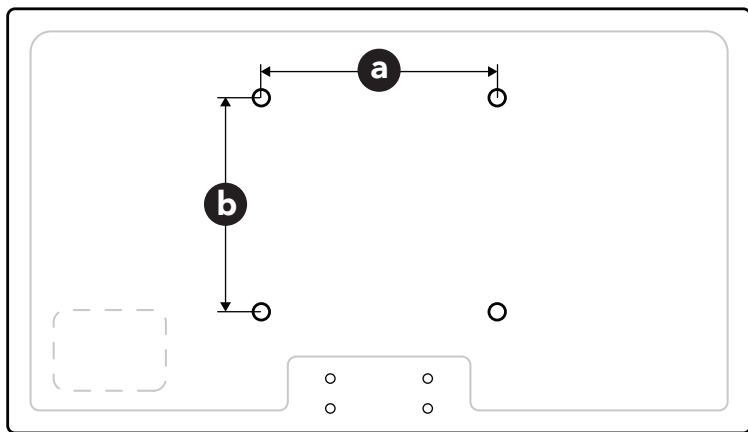
ii Remove the TV Mounting Plate.



1-800 667 0808

Contact us for help!

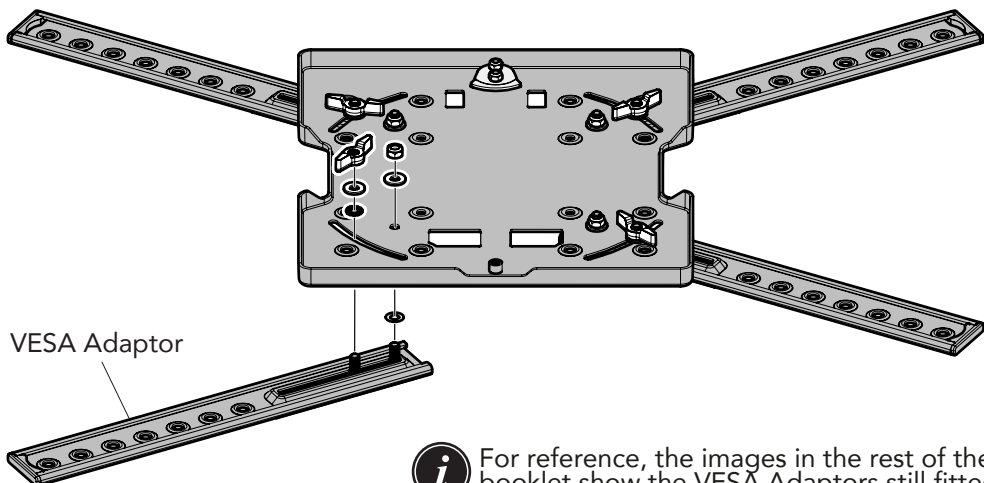
Measure the distance between the mounting holes (VESA) on the back of your TV.



- If the distance **a** or **b** is greater than 200mm then proceed straight to Step 1B.
- If the distance **a** and **b** is 200mm or less than you will need to remove the four VESA adaptors before proceeding to Step 1B. Keep the adaptors and fixings in a safe place in case they are needed in future.



Only remove if both distance **a** and **b** are 200mm or less



For reference, the images in the rest of the booklet show the VESA Adaptors still fitted.

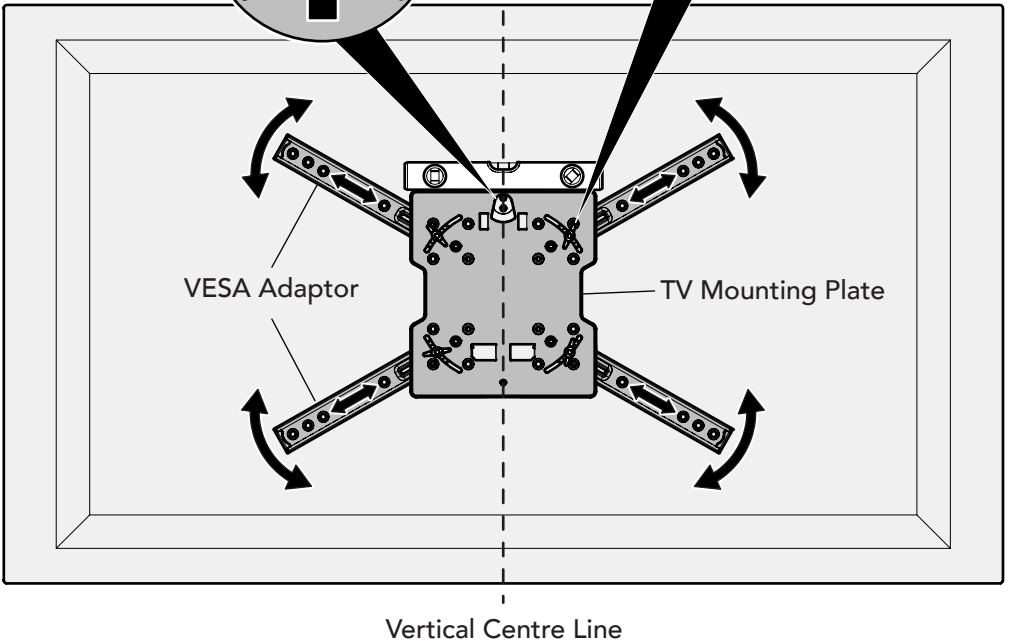
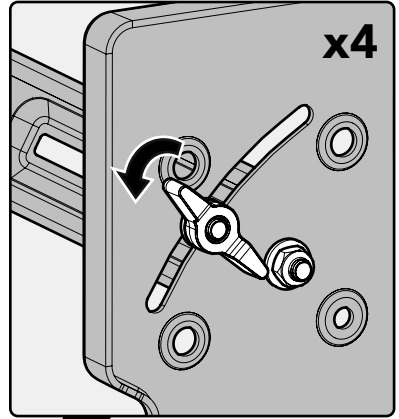
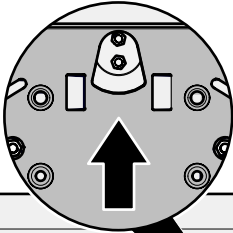


1B Attach the TV Mounting Plate to the TV

i Position the TV Mounting Plate

- Position the TV Mounting Plate on the back of your TV. The plate must be level and positioned on the vertical centre line of your TV.
- Loosen the Thumb Nuts slightly and adjust the VESA Adaptors to fit the holes on the back of your TV. You can use any hole on the adaptors.
- If using the TV Mounting Plate without the VESA Adaptors, just align the plate so that it fits over all four fixing holes on the back of your TV.

Top of TV Mounting Plate



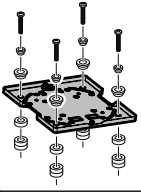
Vertical Centre Line



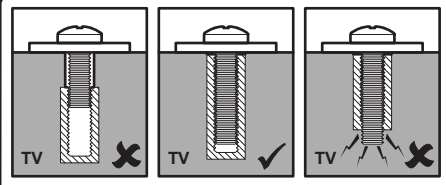
1-800 667 0808

Contact us for help!

ii Attach the TV Mounting Plate

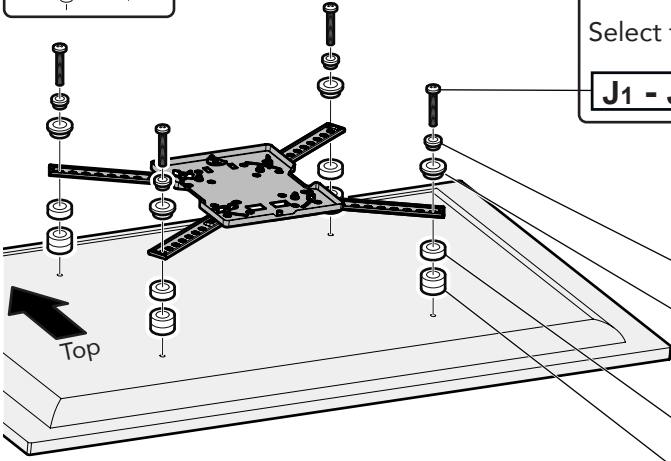


If TV VESA is 200x200mm or less, use holes in the TV Mounting Plate.



Select the correct length TV screw.

J1 - J9

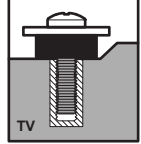


| | | | |
|----|---------|---------|---------|
| | J1 - J3 | J4 - J6 | J7 - J9 |
| H2 | ✓ | ✗ | ✗ |
| H1 | ✓ | ✓ | ✗ |

Do you need H1 or H2?

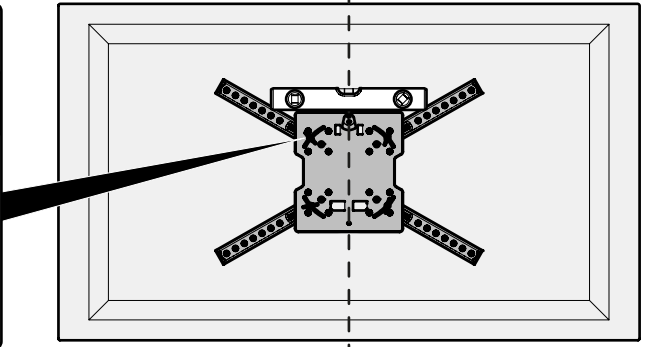
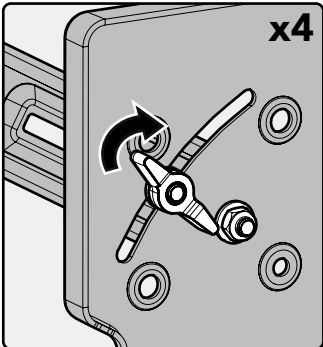
You may need to use Spacers I1 or I2 if the screws are too long or the back of your TV is not flat.

I2
I1

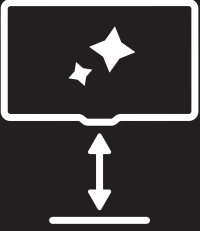


iii Check and Secure the TV Mounting Plate

Make sure the TV Mounting Plate is still level and positioned on the vertical centre line of your TV. Fully tighten the Thumb Nuts.



2A Marking the Wall for Drill Points



TV Height Calculator

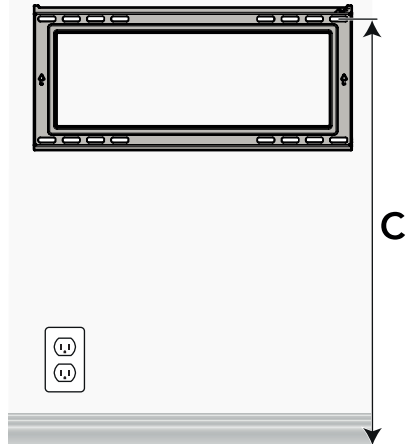
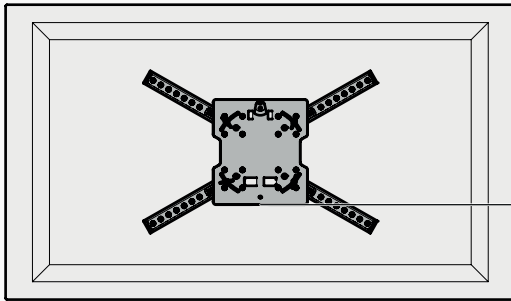
Determine the exact position for your drill points with our easy online tool at avf-info.com/tvhc62en



Determine the Height for Your Drill Points

- Measure **A** from the bottom of the TV mounting plate to the bottom of your TV as shown.
- How high **B** would you like the bottom of your TV from the floor?
- Position the wall bracket so that the top row of fixing holes is **C** above the floor.

$$\mathbf{A} \text{ cm} + \mathbf{B} \text{ cm} + 26\text{cm} = \mathbf{C} \text{ cm}$$

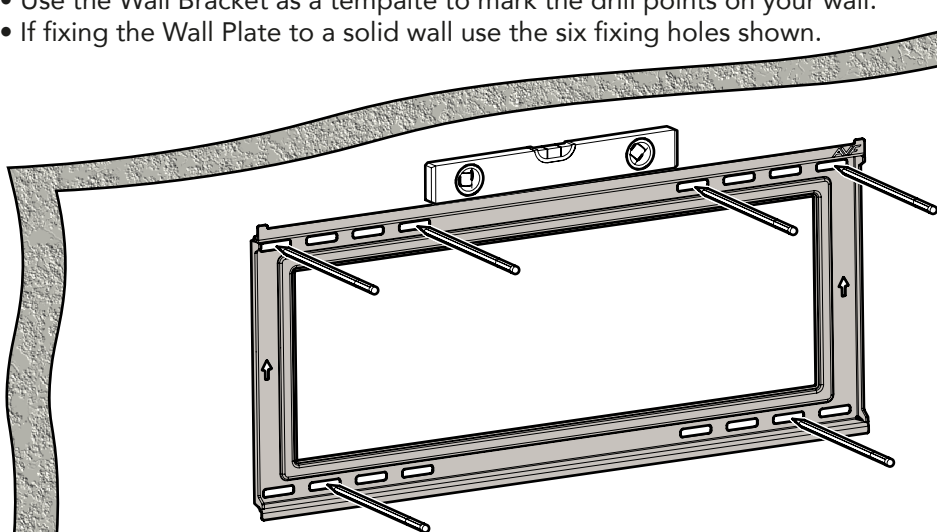


1-800 667 0808

Contact us for help!

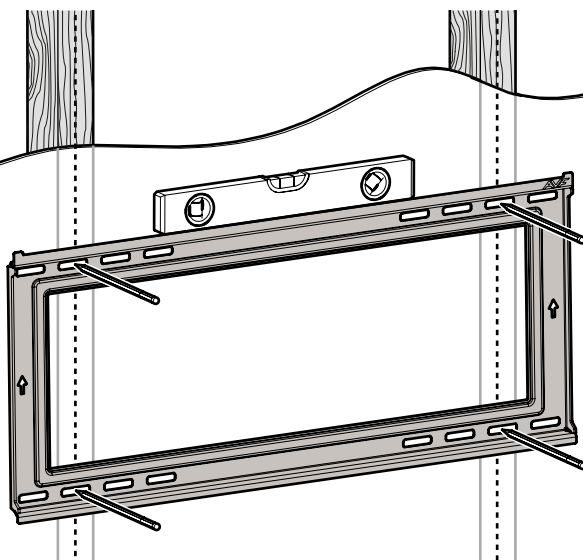
Solid Concrete Wall

- Use the Wall Bracket as a template to mark the drill points on your wall.
- If fixing the Wall Plate to a solid wall use the six fixing holes shown.



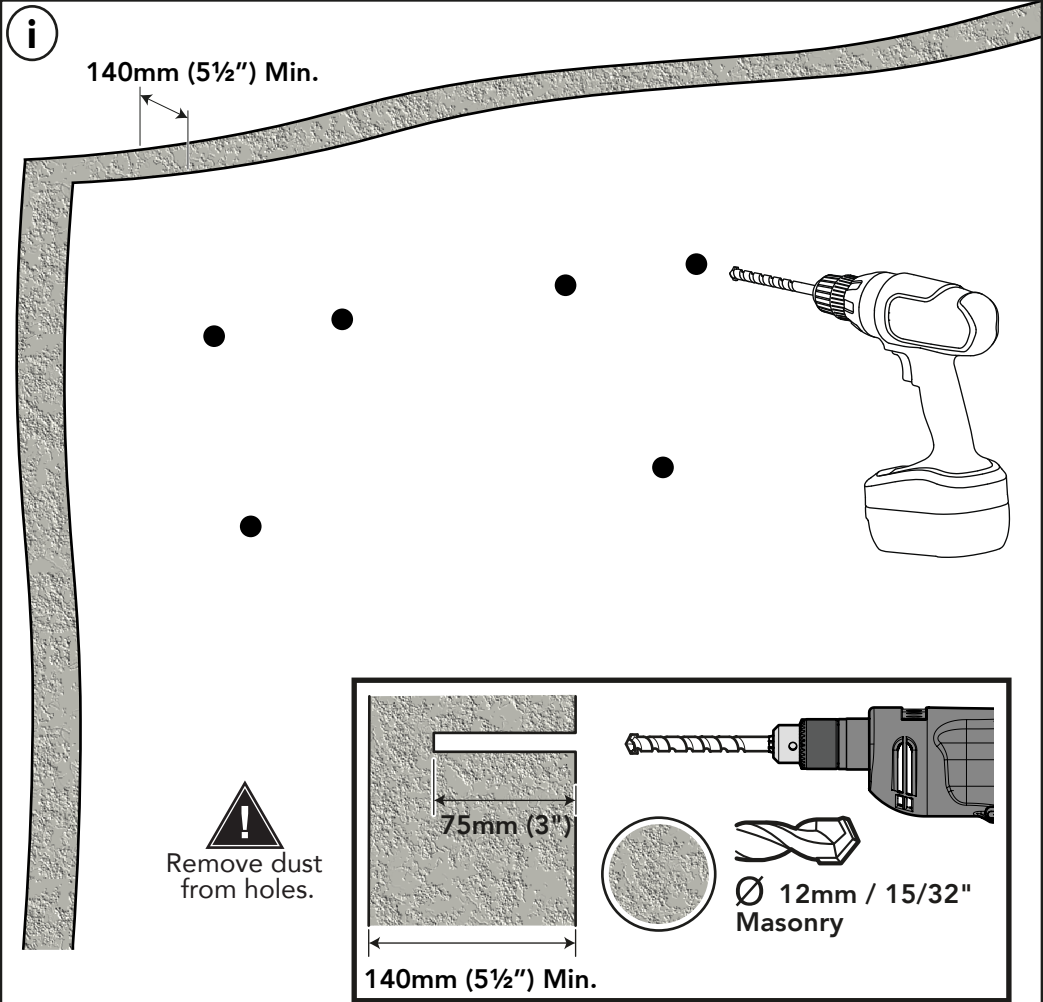
Wood Stud Wall

- Use the Wall Bracket as a template to mark the drill points on your wall.
- If fixing to a wood stud wall only four screws are required.
- Position the Wall Plate so that it spans two wood studs.
- The TV can be positioned anywhere along the wall bracket.



2B Attach the Wall Plate to the Wall

Solid Concrete Wall



It can be difficult to accurately drill holes with a large drill bit. Try drilling 6mm pilot holes first.



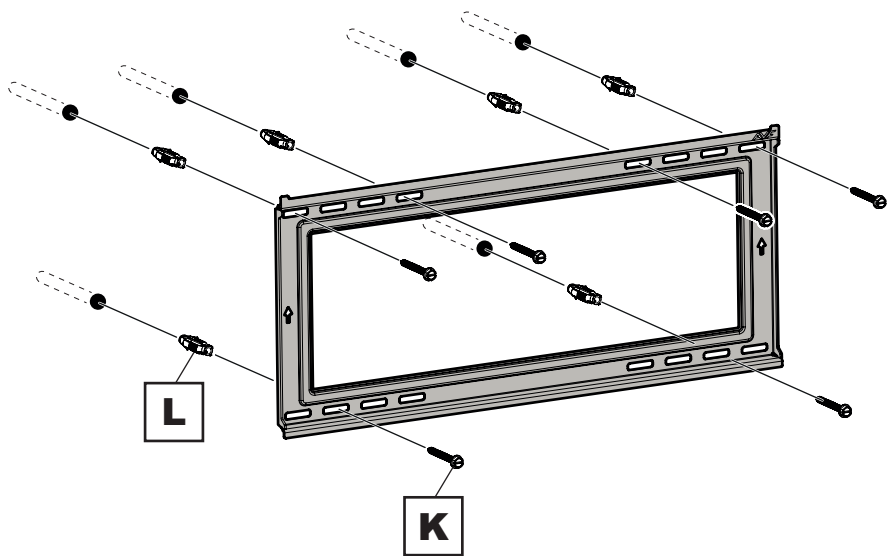
To check the hole depth is ok, insert Screw G and make sure the head of the screw touches the wall.



1-800 667 0808

Contact us for help!

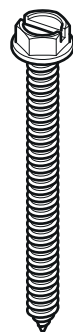
ii



Lubricate screw thread with soap.



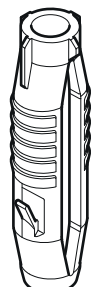
DO NOT overtighten screws.
Tighten screws by hand only.



70mm

No.16 (5/16")

K x6



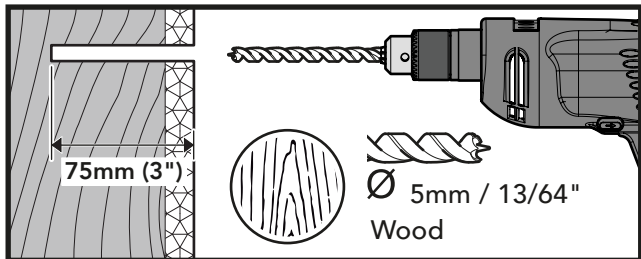
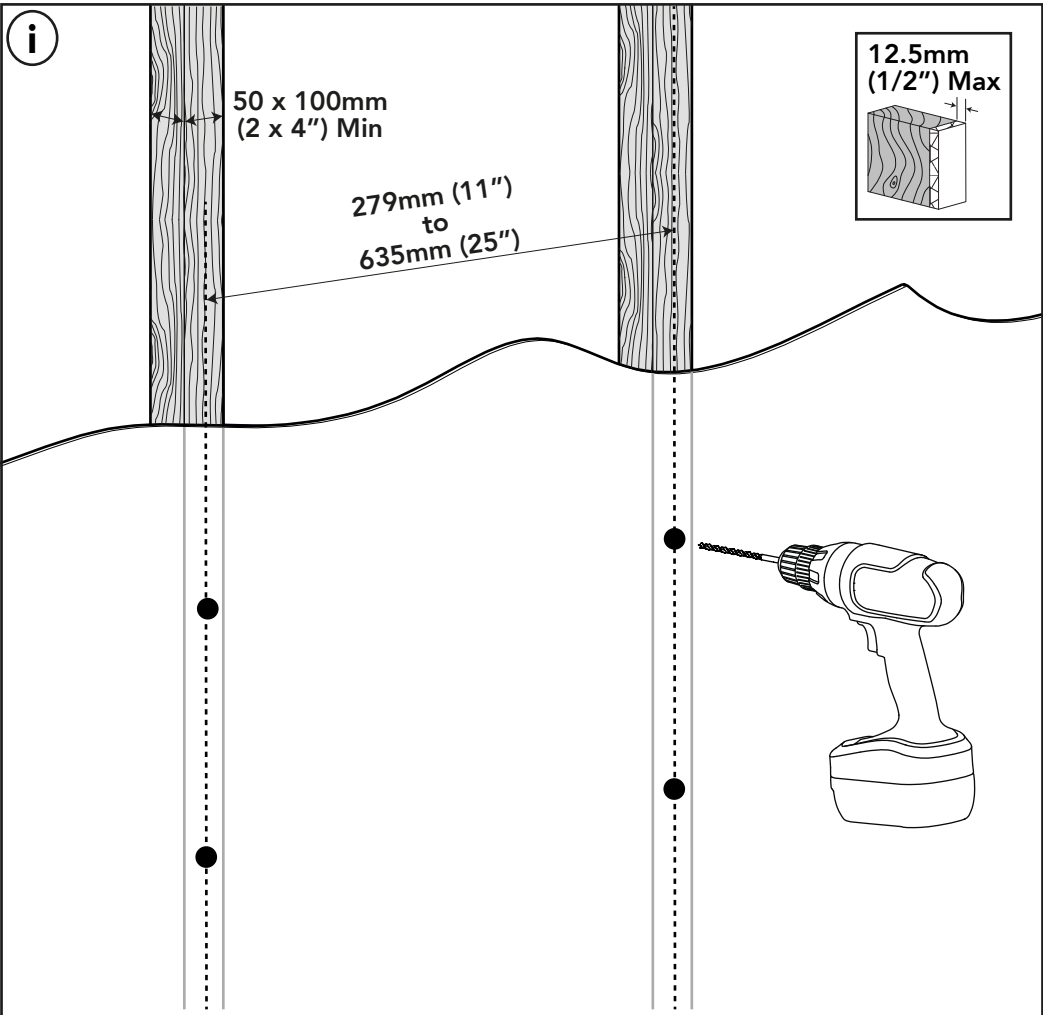
63mm

Ø12mm

L x6



Wood Stud Wall



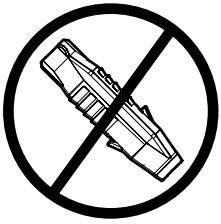
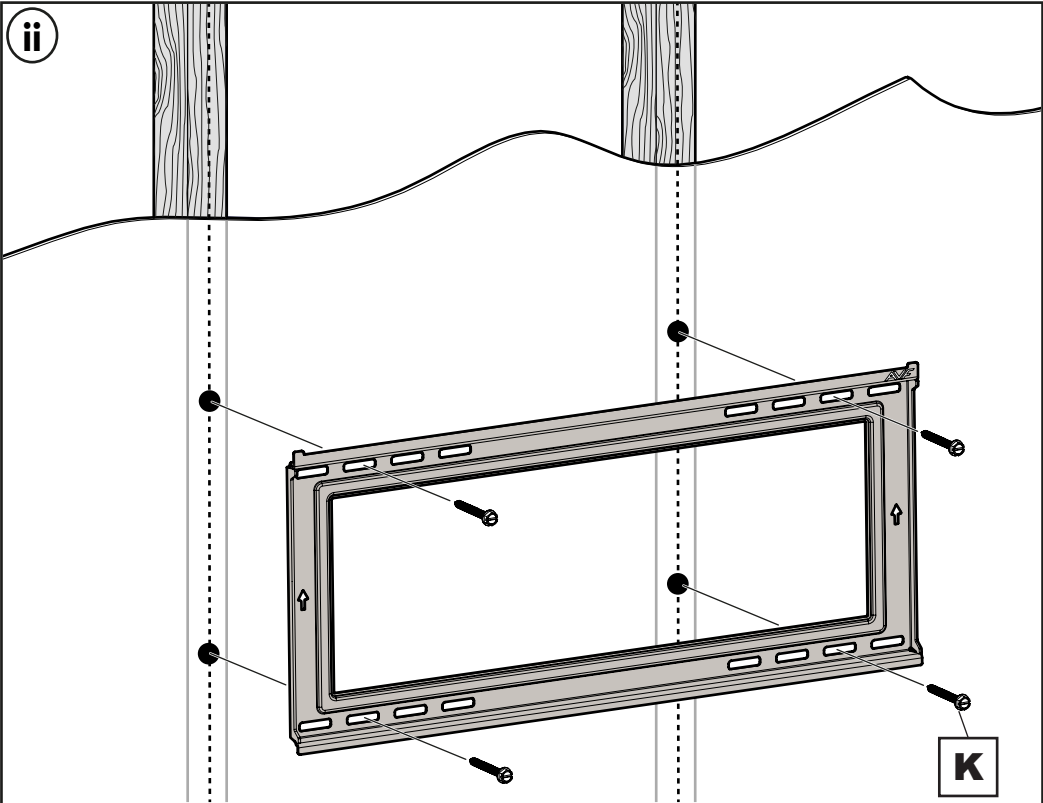
Ensure you drill in the centre of the wood stud.



1-800 667 0808

Contact us for help!

ii



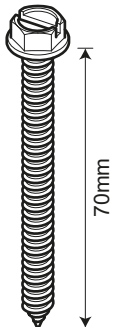
DO NOT use wall plugs in a wood stud wall.



Lubricate screw thread with soap.



DO NOT overtighten screws. Tighten screws by hand only.

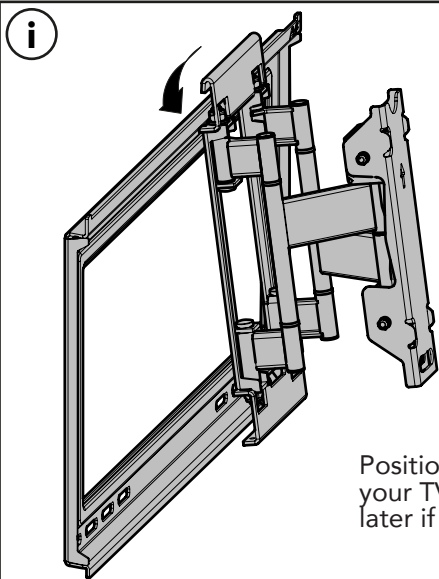


No.16 (5/16")

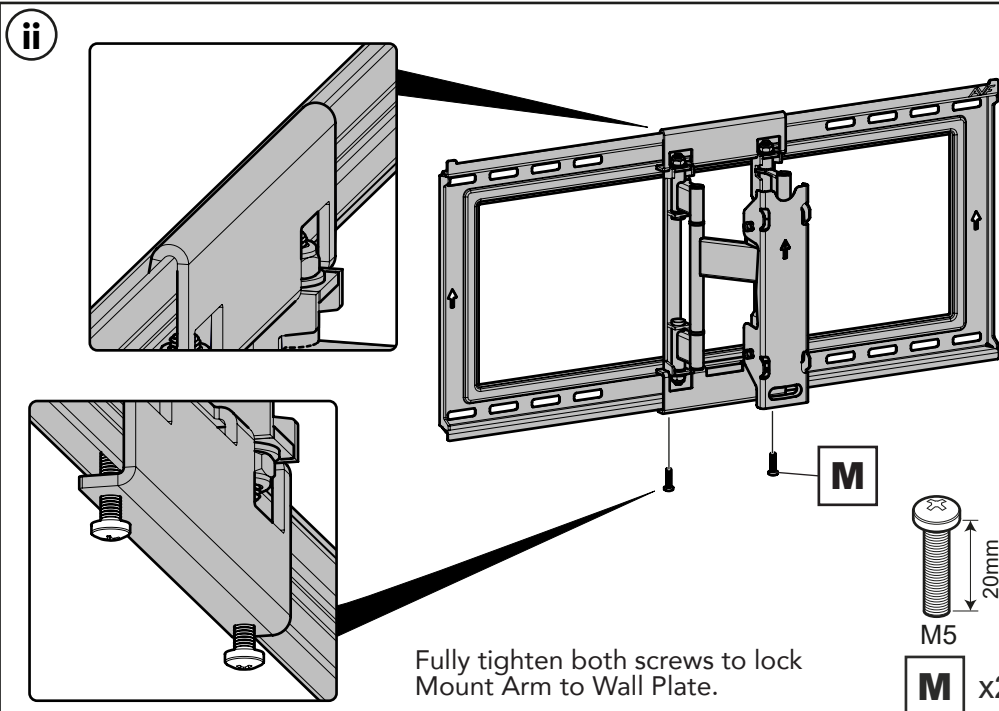
K x4



2C Attach the Mount Arm



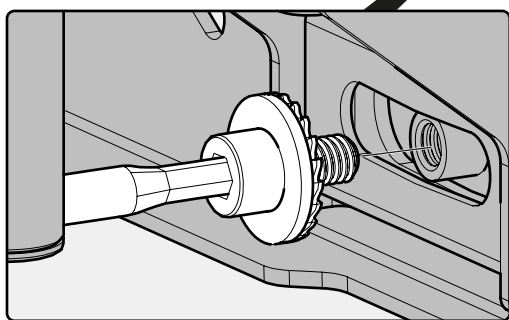
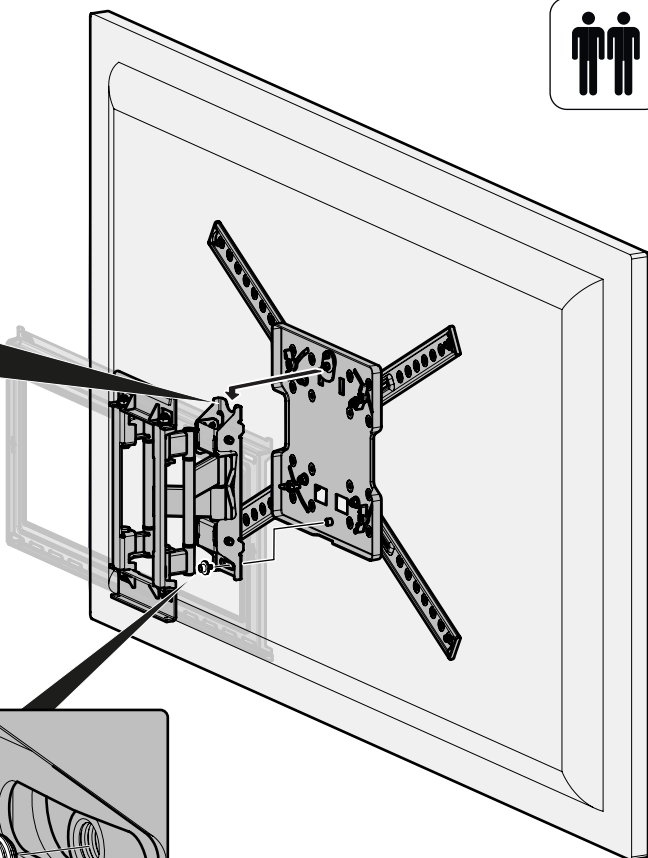
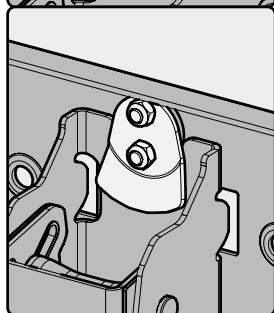
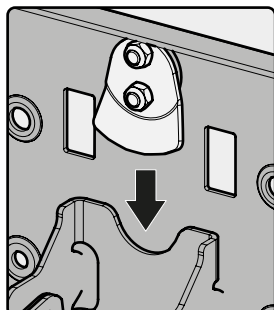
Position the Mount Arm where you want the centre of your TV, when flat against the wall. You can adjust this later if required.



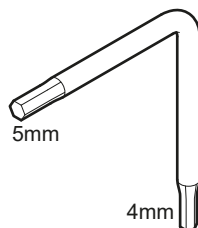
1-800 667 0808

Contact us for help!

3A Connect the TV to the Mount Arm



Reuse Level Lock Screw saved in step 1A.



When the TV is level, ensure the Level Lock Screw is fully tightened.

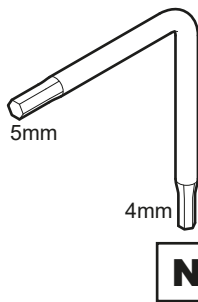
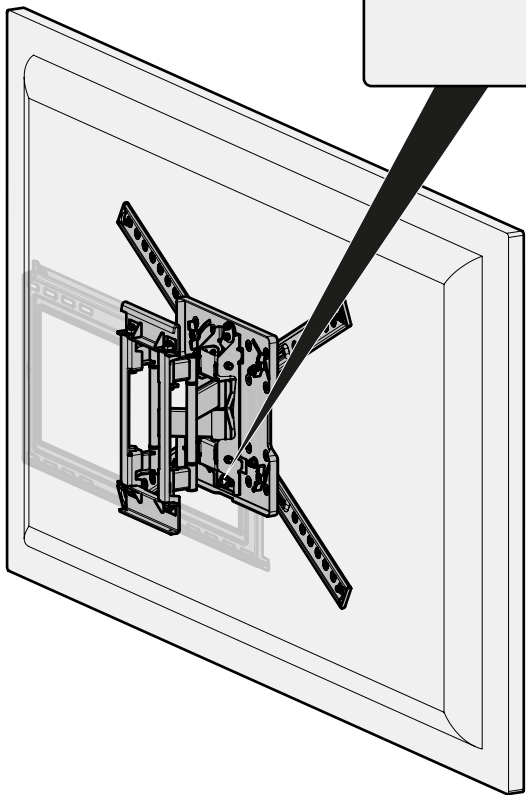
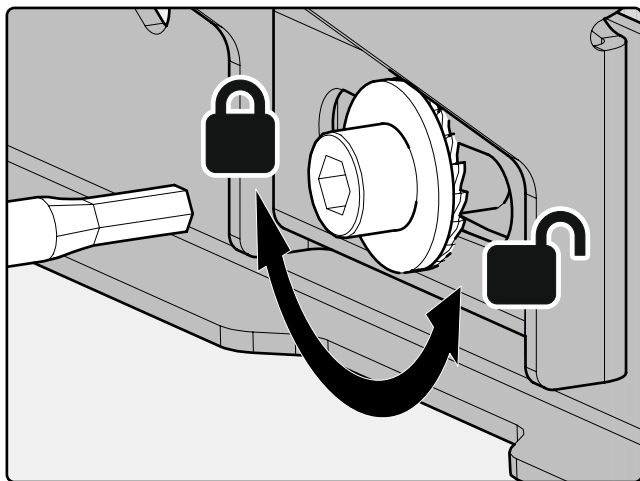


To remove the TV, reverse this procedure.



Post-Installation Adjustment

TV Levelling



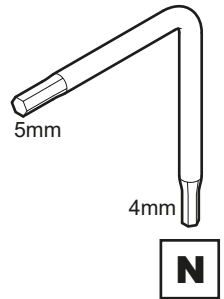
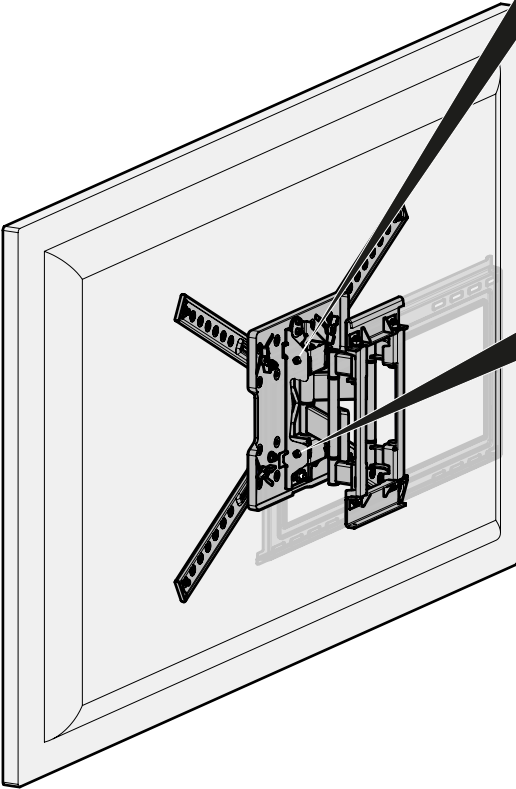
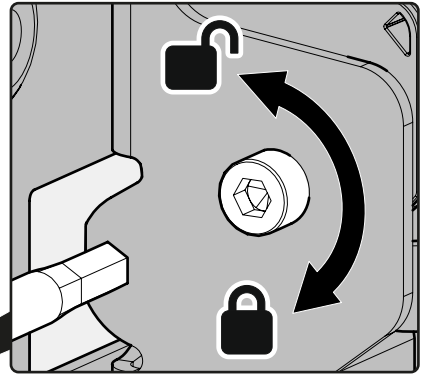
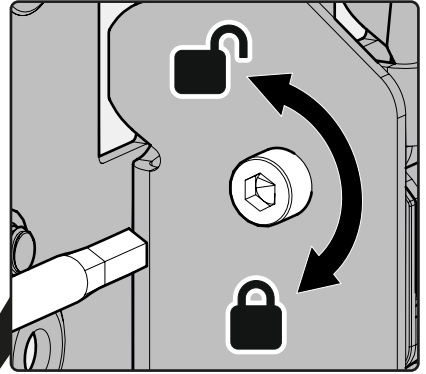
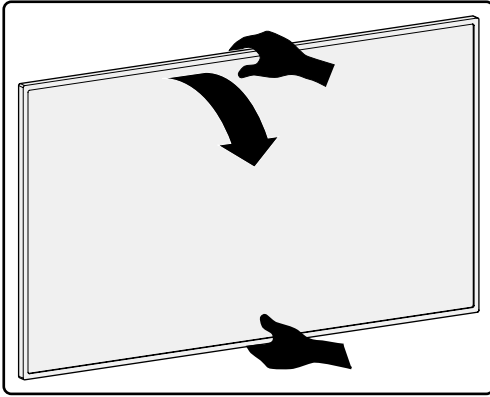
Loosen the Level Lock Screw, adjust your TV until it is level, then re-tighten the screw.



1-800 667 0808

Contact us for help!

Tilt



If you feel the tilt is too stiff or too loose you can adjust the tilt screws to achieve perfect tilt resistance. You must adjust both screws equally. You can also lock the tilt if required.

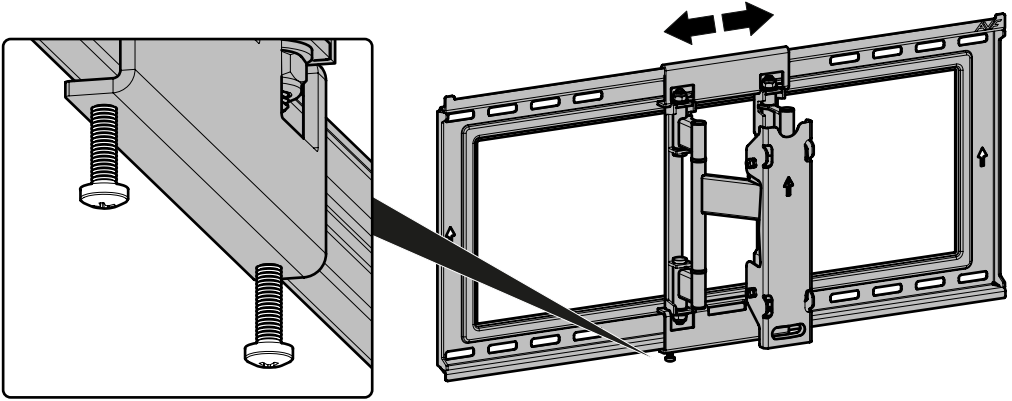


Side-to-Side Positioning

- i** To help position your TV perfectly on the wall you can slide the Mount Arm side-to-side and secure it anywhere along the Wall Plate.

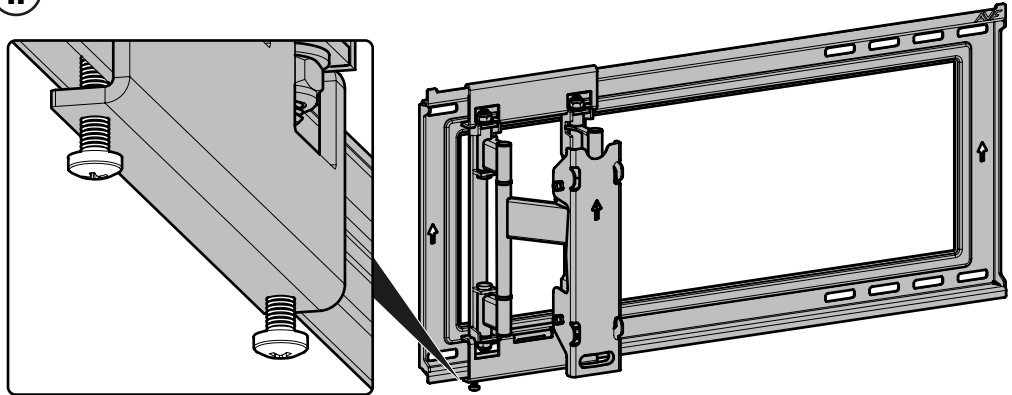


Remove TV before starting.



Loosen both locking screws.

ii



Slide arm into the required position and re-tighten both locking screws.
Reconnect your TV.



1-800 667 0808

Contact us for help!

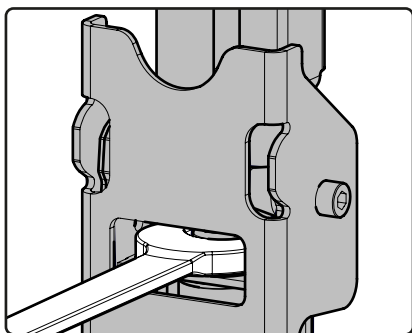
TV Motion Adjustment

- If you feel the TV rotation is too stiff or too loose you can change the swivel resistance by adjusting the nut located at the TV end of the arms. Adjust to maximum down tilt for easier access.
- If you feel the arms are too stiff or too loose you can change the arm tension of your wall bracket by adjusting the 4 nuts located at the wall end of the arms. Adjust all 4 nuts equally.

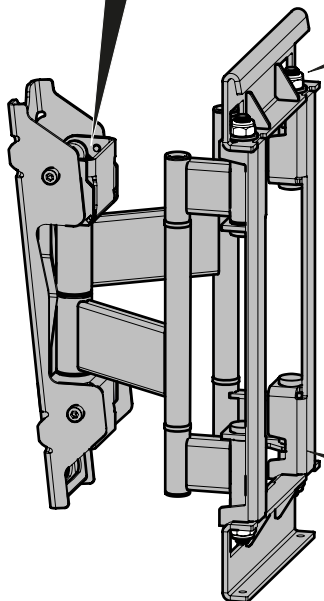
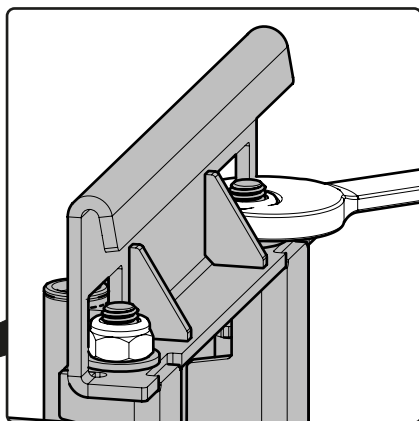


For safety and easier access remove the TV from the arms and the arms from the wall bracket before adjusting.

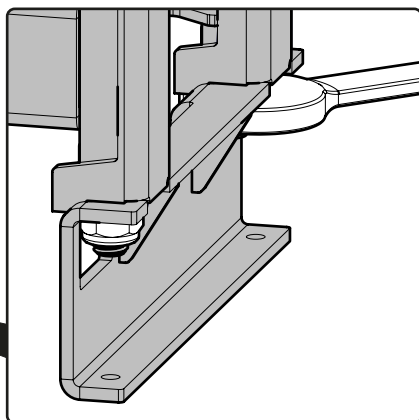
Swivel Resistance Nut



Arm Tension Nuts



Arm Tension Nuts



AVF warrants that the product is free from defects in material and workmanship, as long as the product is owned by the original consumer purchaser. If, during the stated warranty of this product, it proves to be defective, AVF will remedy the defect by either repairing or replacing the defective part or, replacing the entire product. Proof of original purchase is required and should be retained.

AVF reserve the right to substitute replacement products to others of similar value and design (Usually in the event of discontinued product models).

AVF accept no responsibility for failures / loss which result from misuse, negligence, accident, improper assembly or installation or other causes beyond AVF's reasonable control and also excludes and will not pay any incidental and consequential damages.



PLEASE REVIEW ALL NOTES AND PRODUCT INSTRUCTIONS BEFORE COMMENCING THE INSTALLATION.

INSTALLATION: This product is sold as a home DIY product and as such, it is the responsibility of the installer to ensure that the product is correctly installed. AVF accept no responsibility if the product is incorrectly installed.

This product is intended for indoor use only. Use of this product outdoors could lead to failure and personal injury.

IF YOU ARE IN ANY DOUBT, CONSULT A QUALIFIED CONTRACTOR.

NOTES

WALLS: It is the responsibility of the installer to ensure that the wall is of a suitable standard and void of any services (eg gas, electricity, water etc). AVF accept no responsibility for any damage or loss caused by installing this product in a sub standard wall.

WALL FIXINGS: Wall fixings are supplied for wood, brick, solid masonry and also, for some specific products, fixings are supplied for fixing to plasterboard.

DO

- Retain all packaging in case the bracket needs to be returned.
- When fastening to wood studs, be sure to pre-drill holes into the wood stud.
- When fastening to brick or solid masonry, drill the holes in accordance with the instructions. Always remove drill dust from the hole before inserting the wall plug.
- Wall plug body must be fully inserted into the wall (ie fully into the brick).
- Lubricate the wall screws with soap to ease installation.
- Check the strength of the installation before fitting the TV.
- Periodically check strength of installation, signs of corrosion, damage or loose components.

DON'T

- Do not set in mortar joints.
- Do not over tighten screws.

TV HANGING

Must be carried out using the manufacturers threaded holes intended for this purpose. All variables of TV hanging screws are supplied within the product box (Because of the universal nature of this product, expect to have excess parts left over following your installation).

It is the responsibility of the installer to ensure the correct TV hanging screws are selected. If in doubt consult the TV manufacturer. AVF accept no responsibility for any damage caused by the use of the incorrect TV hanging screw or the use of incorrect fixing holes.

