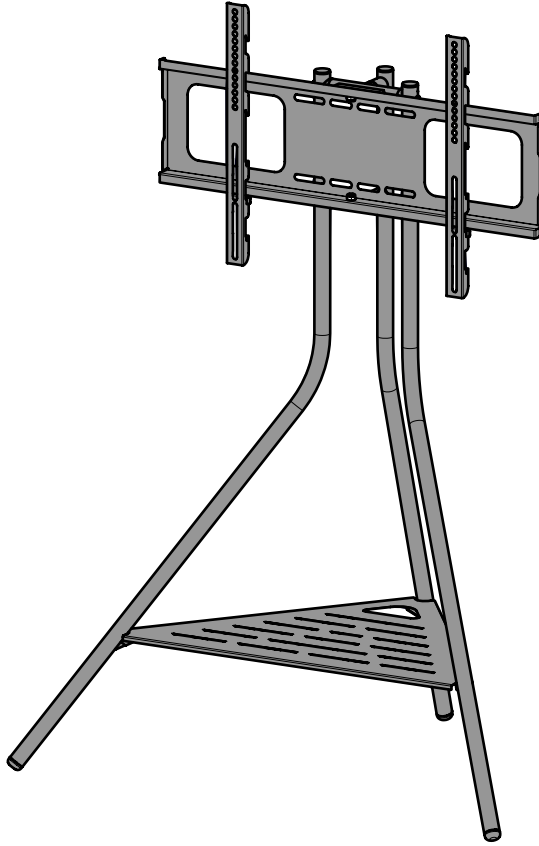


**471813 Rev02**

**Please read these instructions thoroughly before installation.**



**Please don't return me to the store**

If you are unsure or need advice  
please contact our **UK-based support team:**



**0333 320 0463 | [avfgroup.com](https://www.avfgroup.com)**

Phone lines open Mon-Fri during AVF office hours

## IMPORTANT INFORMATION!

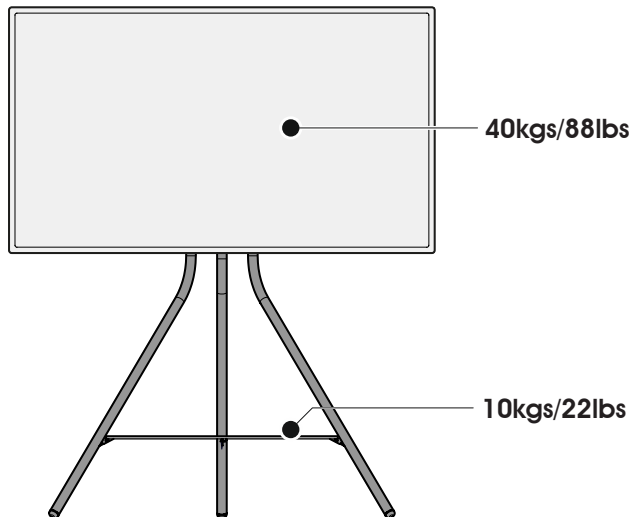
We advise that before starting the assembly of this product that you familiarise yourself with the instructions and the parts list in this leaflet.



**Do not overtighten any part of this assembly.**

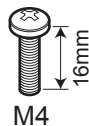
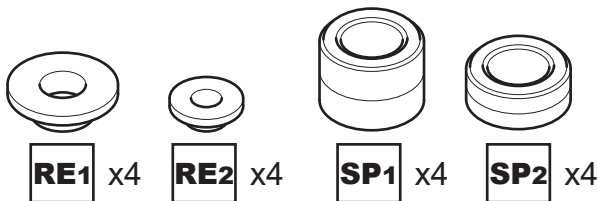
**Check all nuts and bolts from time to time.**

## Maximum TV weight and shelf capacities

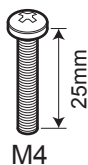


**WARNING:** Wherever possible distribute weight evenly.

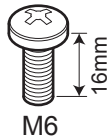
## TV Screws, Reducers and Spacers



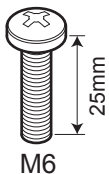
**TV1** x4



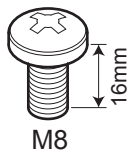
**TV2** x4



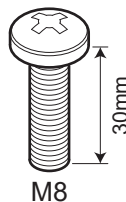
**TV3** x4



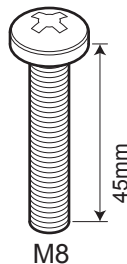
**TV4** x4



**TV5** x4



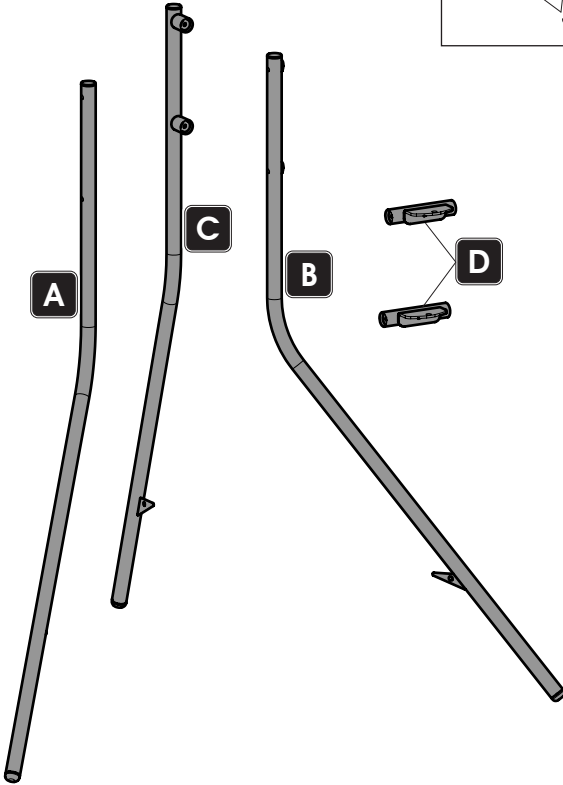
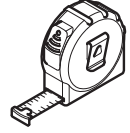
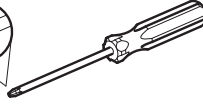
**TV6** x4



**TV7** x4

# Boxed Parts

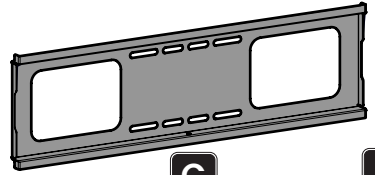
# Tools Recommended



D



F



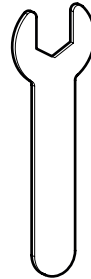
G



F

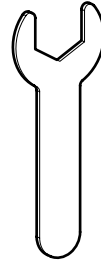


E



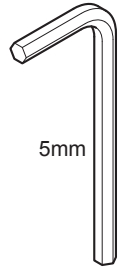
M6

H



M8

I



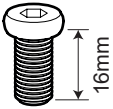
5mm

J



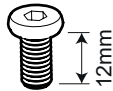
4mm

K



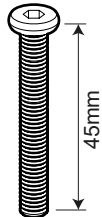
M8

M  
X2



M6

O  
X3



M6

Q  
X6



M8

L  
X2



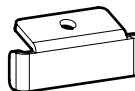
M8

N  
X2



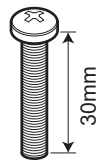
P

X3



R

X2



M5

S  
X2



T

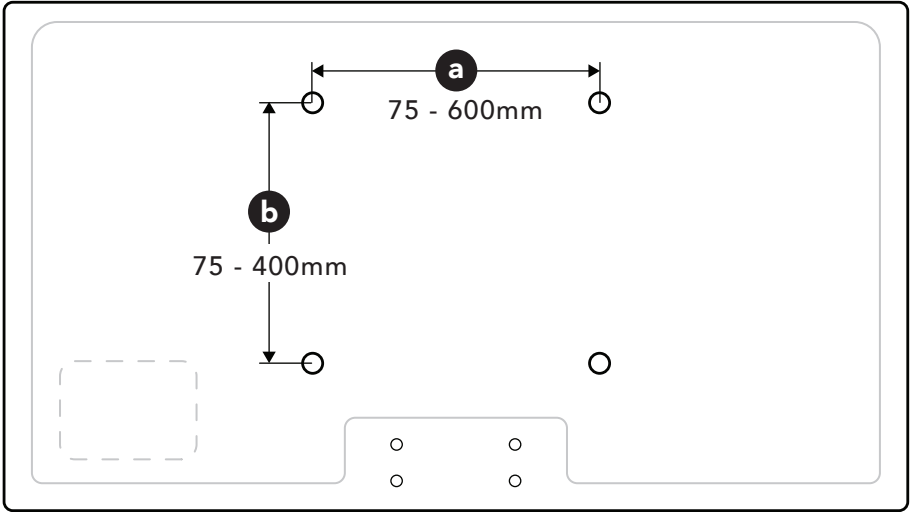
X3



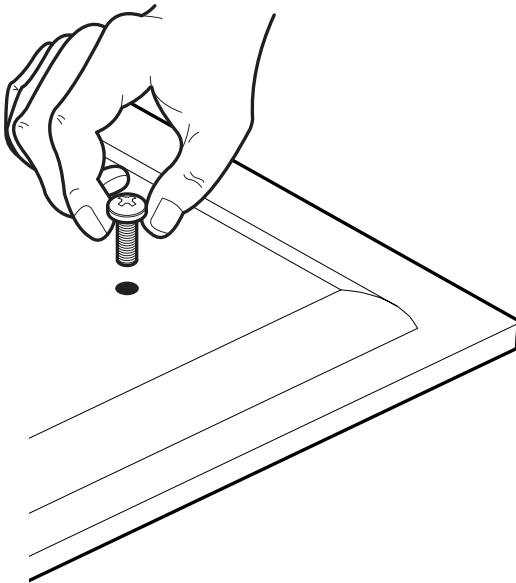
U

X6

## Measure the TV fixing holes Width and Height



If width **a** is greater than 600mm or height **b** greater than 400mm  
STOP installation now and contact the customer helpline.

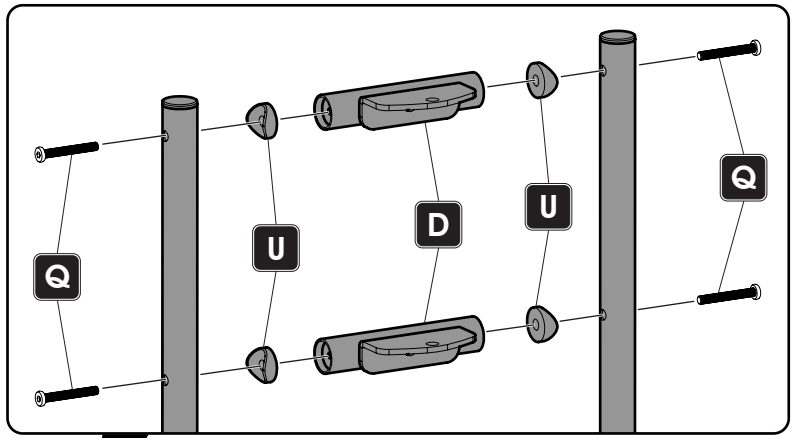


Determine which diameter TV Screws  
fit your TV and put them to one side.

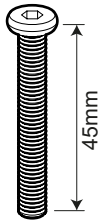
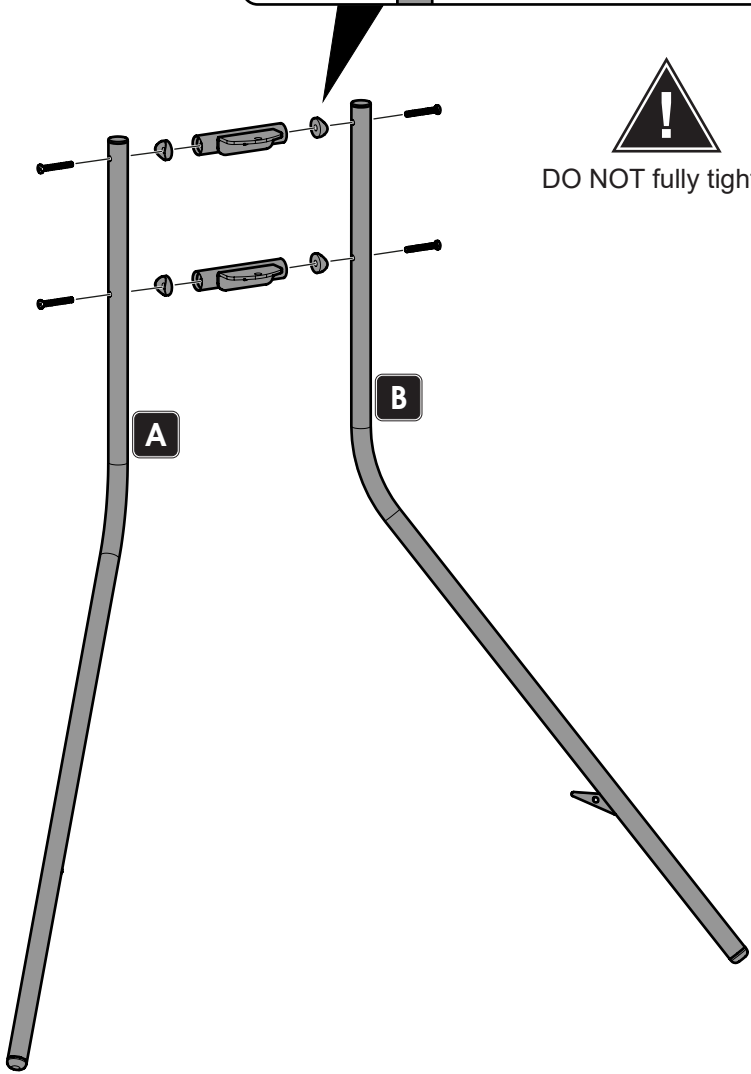
**M4, M6 or M8**

We will select the correct length later.

1



DO NOT fully tighten

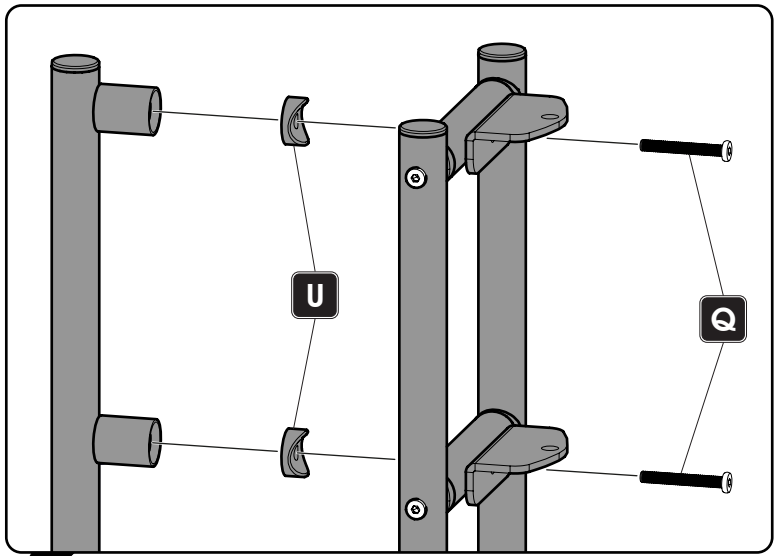


M6  
Q  
X4

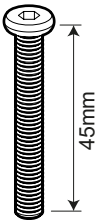
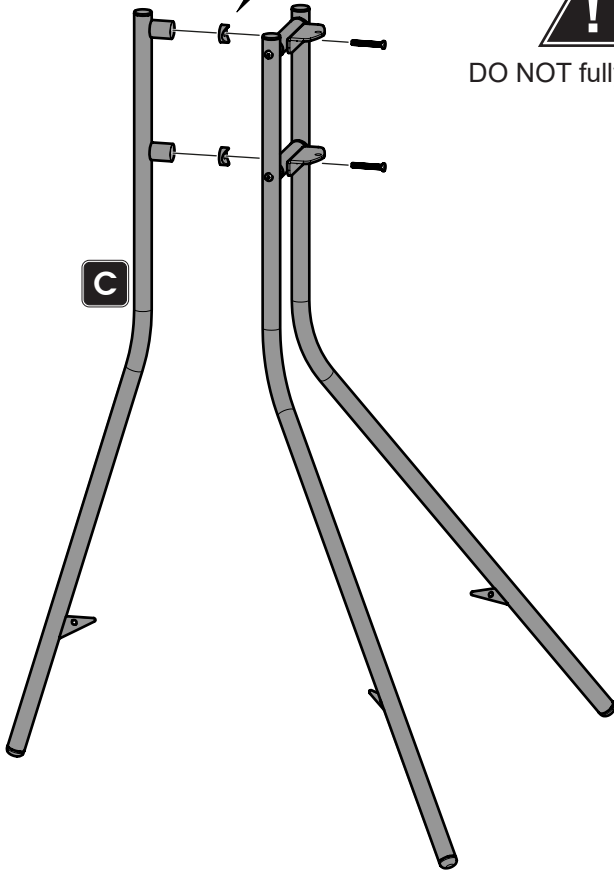


U  
X4

2



DO NOT fully tighten



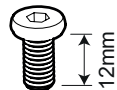
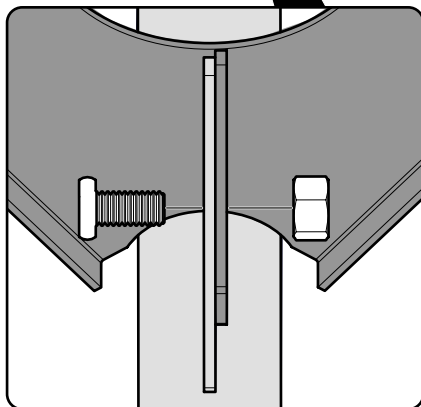
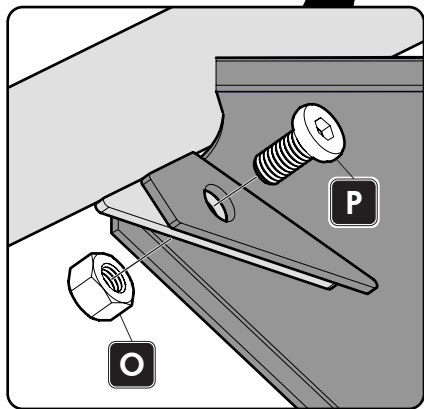
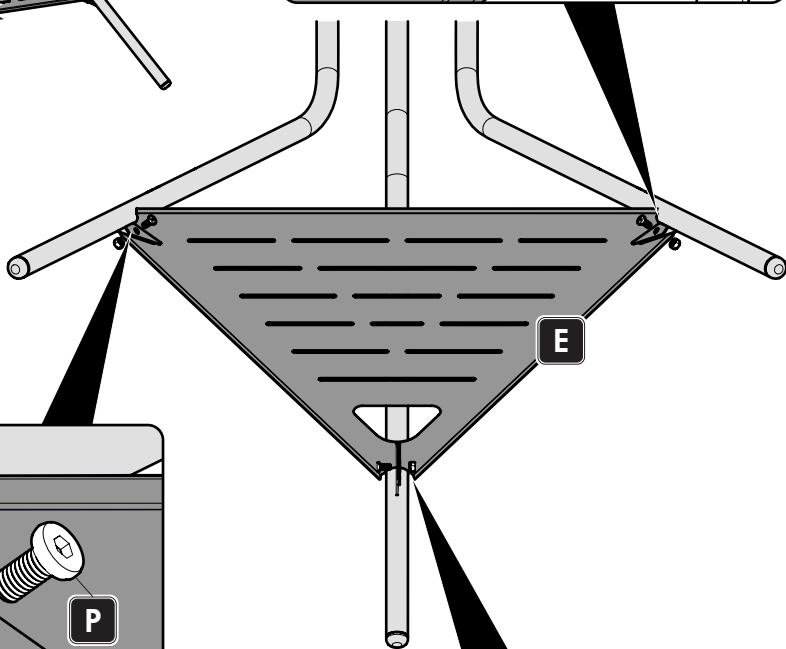
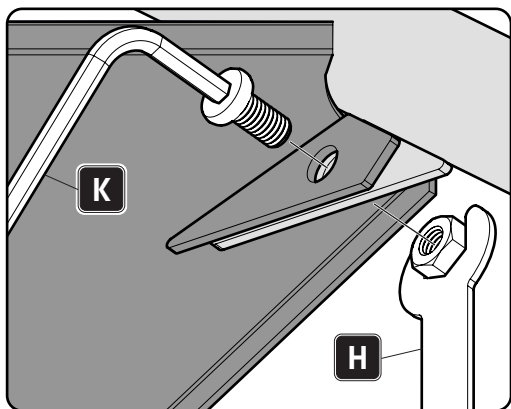
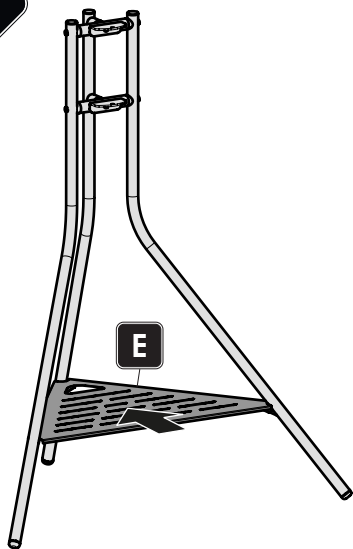
M6

Q  
X4



U  
X4

3



M6

12mm



X3

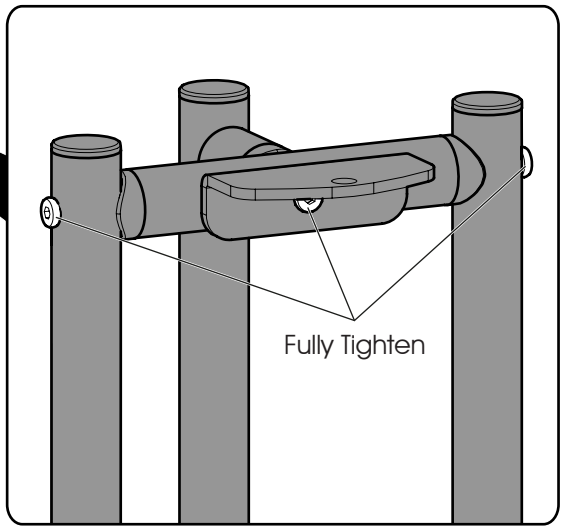
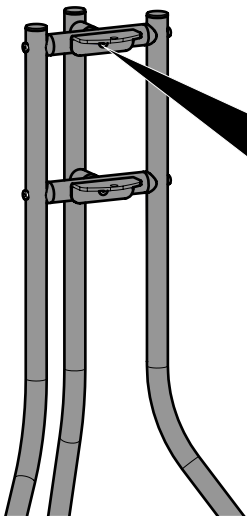


P

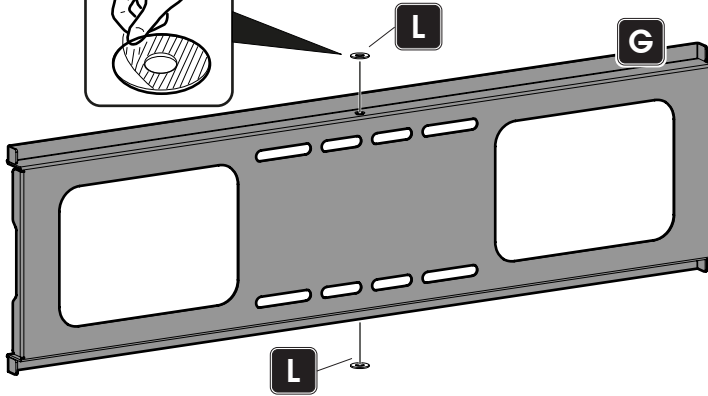
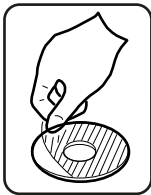
X3

4

i

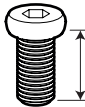


ii



M8

L  
X2



M8

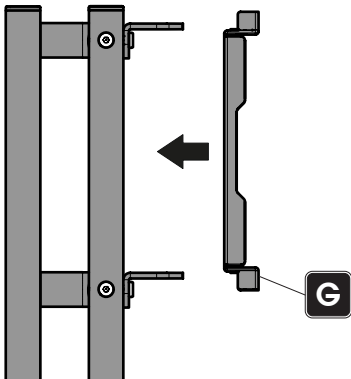
M  
X2



M8

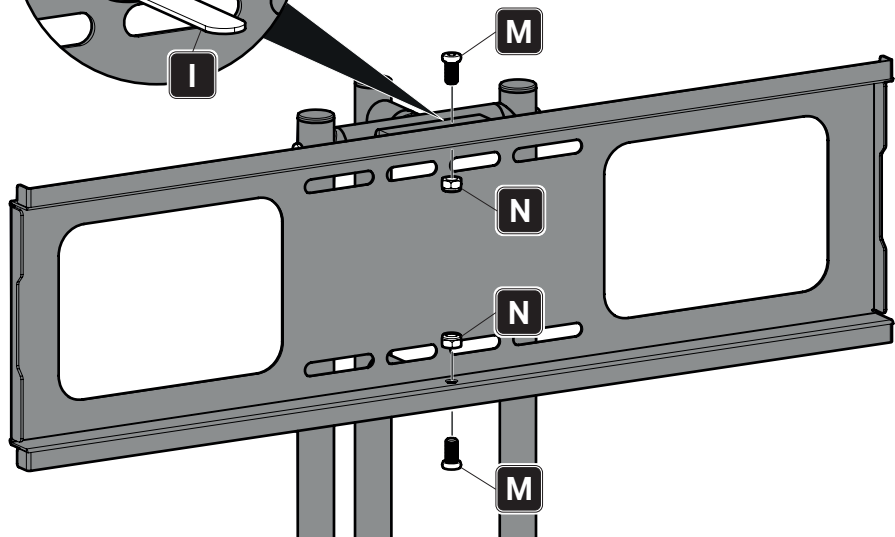
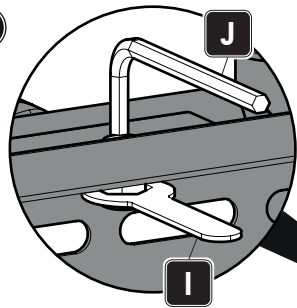
N  
X2

iii

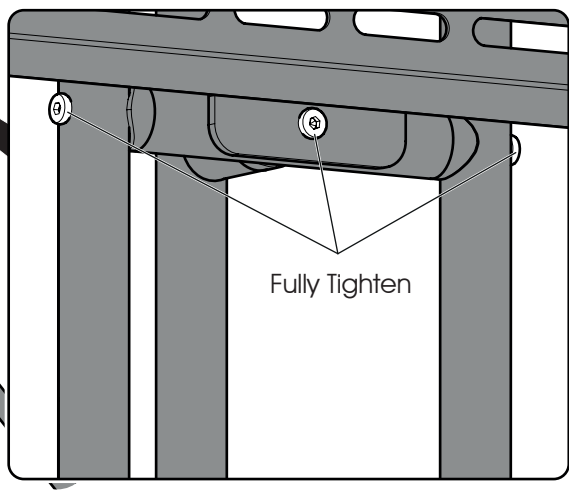
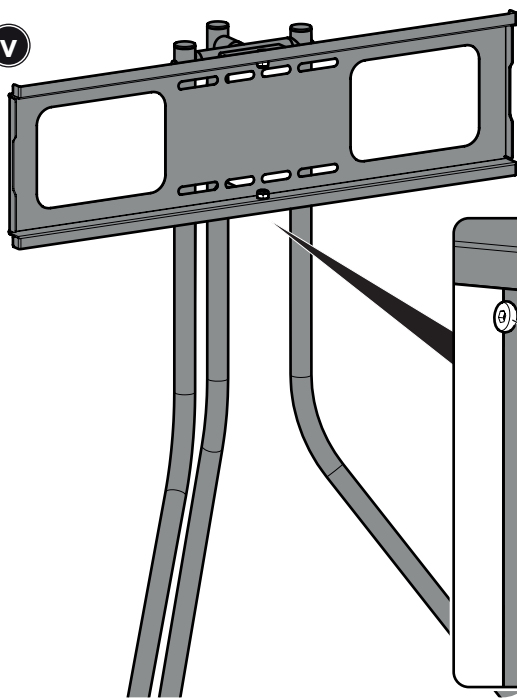


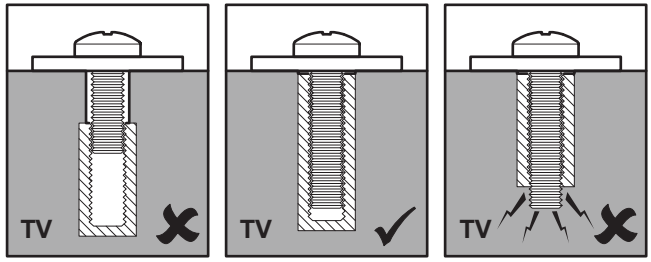


iv

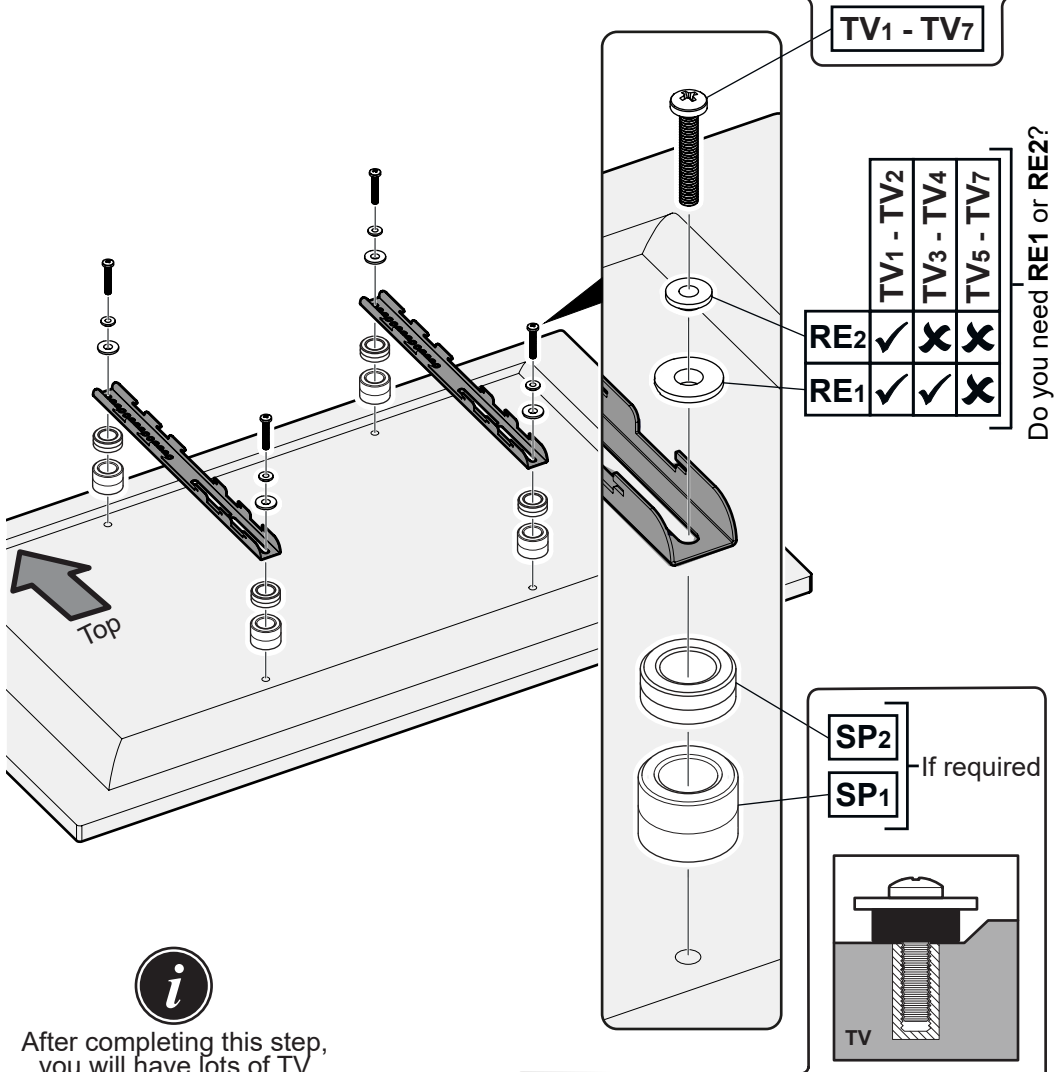


v





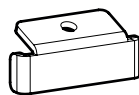
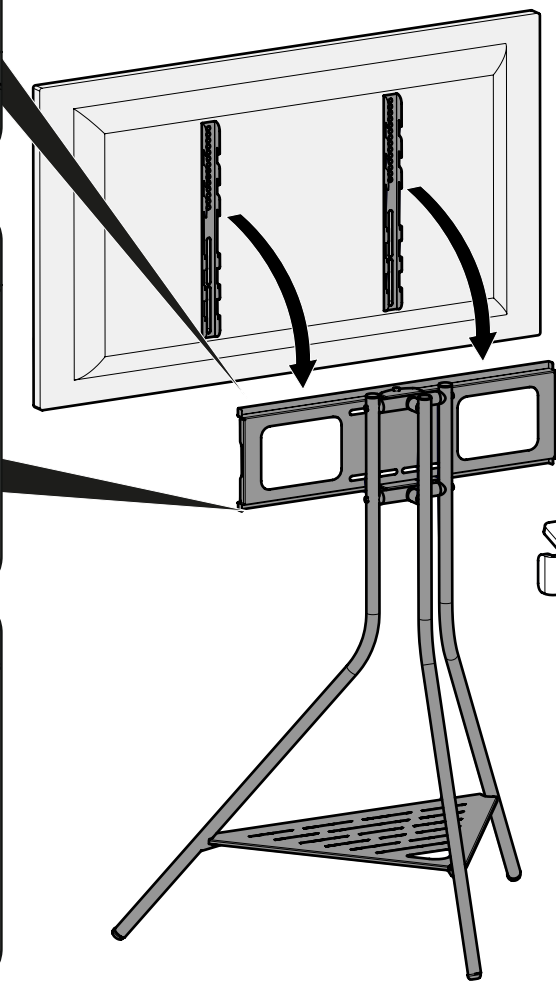
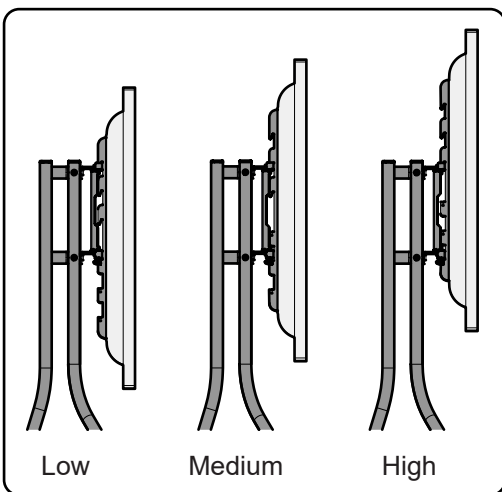
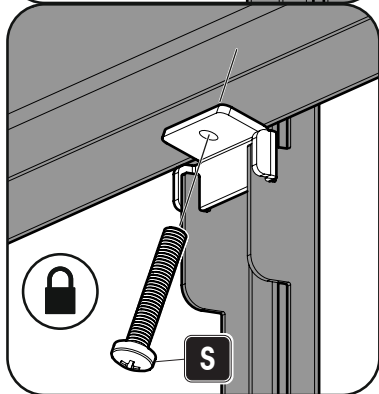
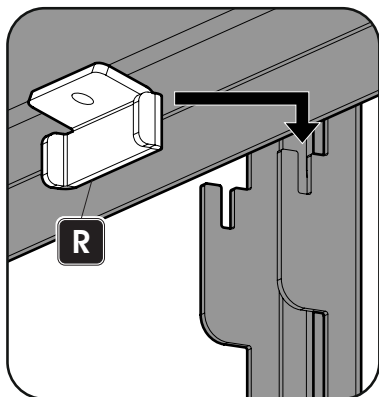
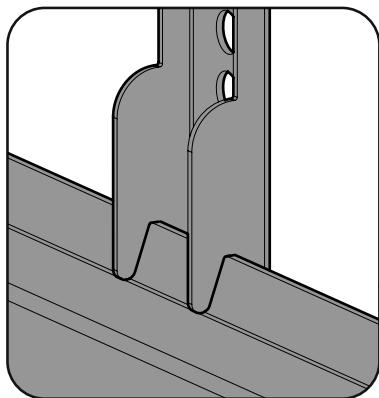
Select the correct length TV screw.



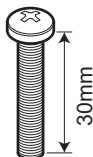
After completing this step, you will have lots of TV screws left over. Keep them in a safe place in case you require them in future.

You may need to use Spacers SP1 or SP2 if the screws are too long or the back of your TV is not flat.

6

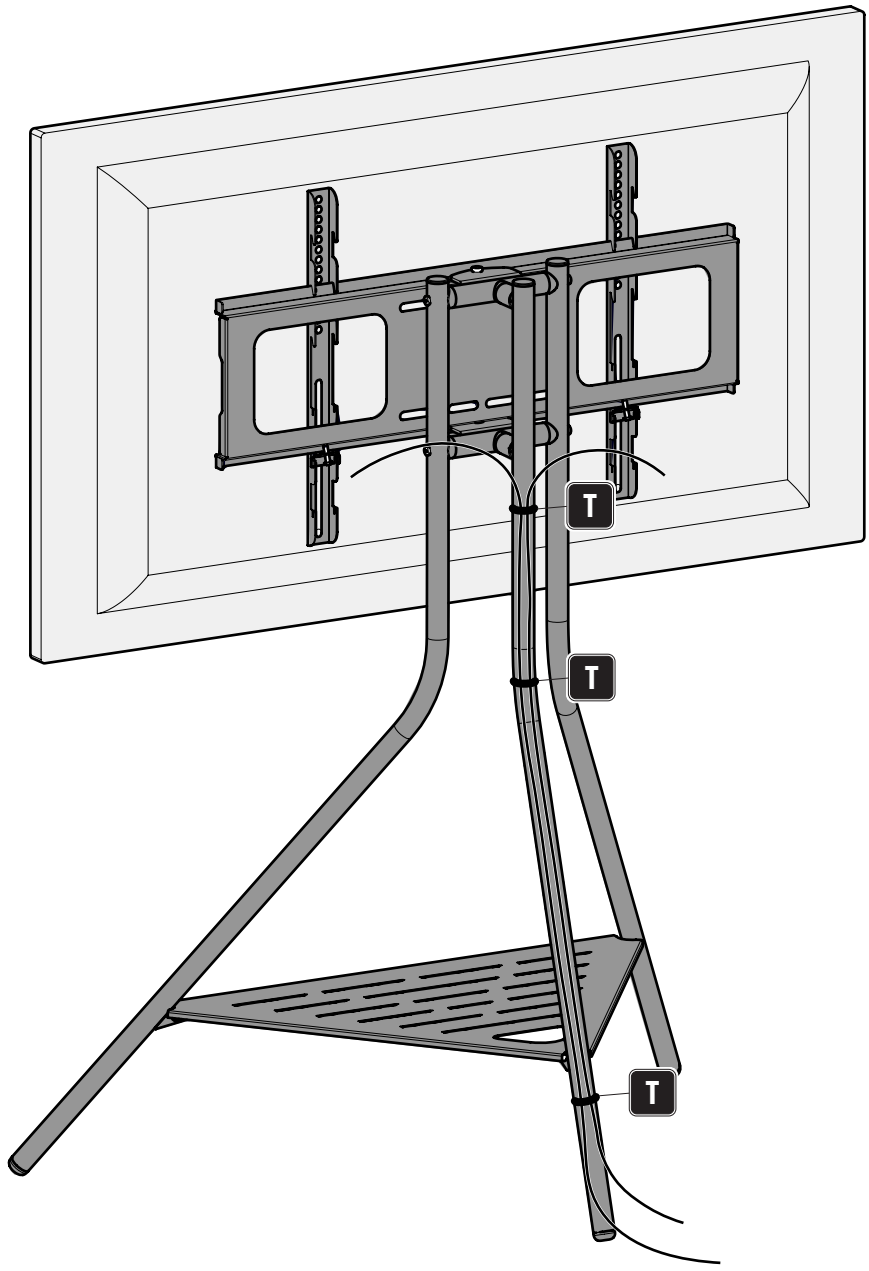


R  
X2



M5  
30mm  
S  
X2

7



T  
X3