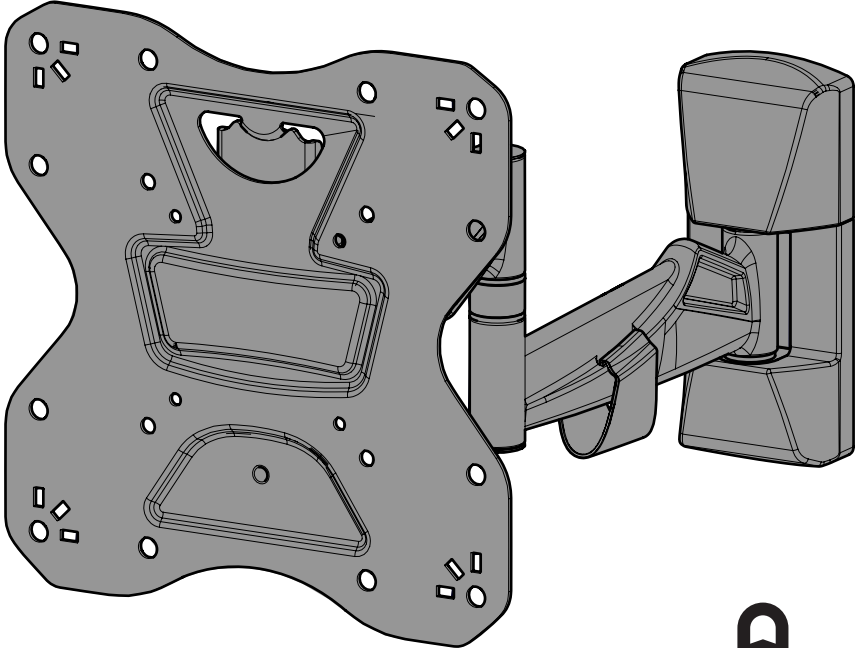


471758 Rev01

Please read these instructions thoroughly before installation.



If you have any questions or need spare parts don't worry, we're happy to help.

Customer Helpline

0333 320 0463

Helpline Open Mon to Thurs 9am - 5pm, Fri 9am - 4pm

Online Support

www.avfgroup.com/support

AVF Group Ltd. Hortonwood 30, Telford, Shropshire, TF1 7YE, England

WARRANTY INFORMATION

LIFETIME WARRANTY

AVF warrants that the product is free from defects in material and workmanship, as long as the product is owned by the original consumer purchaser. If, during the stated warranty of this product, it proves to be defective, AVF will remedy the defect by either repairing or replacing the defective part or, replacing the entire product. Proof of original purchase is required and should be retained.

AVF reserve the right to substitute replacement products to others of similar value and design (Usually in the event of discontinued product models).

AVF accept no responsibility for failures / loss which result from misuse, negligence, accident, improper assembly or installation or other causes beyond AVF's reasonable control and also excludes and will not pay any incidental and consequential damages.



PLEASE REVIEW ALL NOTES AND PRODUCT INSTRUCTIONS BEFORE COMMENCING THE INSTALLATION.

INSTALLATION: This product is sold as a home DIY product and as such, it is the responsibility of the installer to ensure that the product is correctly installed. AVF accept no responsibility if the product is incorrectly installed.

This product is intended for indoor use only. Use of this product outdoors could lead to failure and personal injury.

IF YOU ARE IN ANY DOUBT, CONSULT A QUALIFIED CONTRACTOR.

NOTES

WALLS: It is the responsibility of the installer to ensure that the wall is of a suitable standard and void of any services (eg gas, electricity, water etc). AVF accept no responsibility for any damage or loss caused by installing this product in a sub standard wall.

WALL FIXINGS: Wall fixings are supplied for wood, brick, solid masonry and also, for some specific products, fixings are supplied for fixing to plasterboard.

DO

- Retain all packaging in case the bracket needs to be returned.
- When fastening to wood studs, be sure to pre-drill holes into the wood stud.
- When fastening to brick or solid masonry, drill the holes in accordance with the instructions. Always remove drill dust from the hole before inserting the wall plug.
- Wall plug body must be fully inserted into the wall (ie fully into the brick).
- Lubricate the wall screws with soap to ease installation.
- Check the strength of the installation before fitting the TV.
- Periodically check strength of installation, signs of corrosion, damage or loose components.

DON'T

- Do not set in mortar joints.
- Do not over tighten screws.

TV HANGING

Must be carried out using the manufacturers threaded holes intended for this purpose. All variables of TV hanging screws are supplied within the product box (Because of the universal nature of this product, expect to have excess parts left over following your installation).

It is the responsibility of the installer to ensure the correct TV hanging screws are selected. If in doubt consult the TV manufacturer. AVF accept no responsibility for any damage caused by the use of the incorrect TV hanging screw or the use of incorrect fixing holes.

Index

1 Measure the TV fixing holes Width and Height

2 Preparing the TV Mounting Plate

3 Fitting the TV Mounting Plate

4 Marking Wall for Drill Points

5 Fitting the Wall Brackets

6 Fitting the Wall Bracket Covers

7 Hanging the TV

8 Cable Management

Retain all packaging in case the product needs to be returned.

Contents may vary from photography / illustrations.

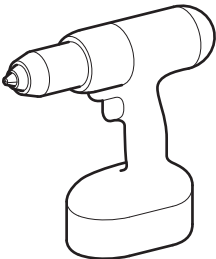
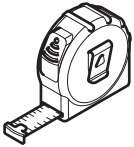
You will not need all these parts, so expect there to be some left over depending upon the specification of your TV.

This product is intended for indoor use only. Use of this product outdoors could lead to failure and personal injury.

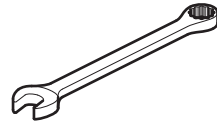
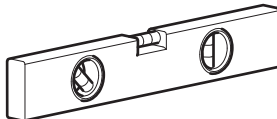
It is the responsibility of the installer to ensure that the mounting wall is of a suitable standard and void of any services (eg gas, electricity, water etc).

AVF accept no responsibility for any damage or loss caused by installing this product in a substandard wall.

You Will Need



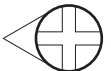
Stud Finder



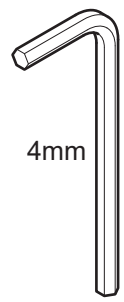
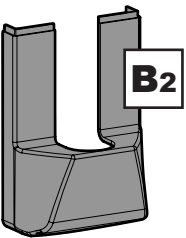
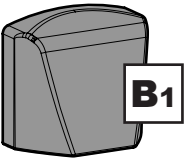
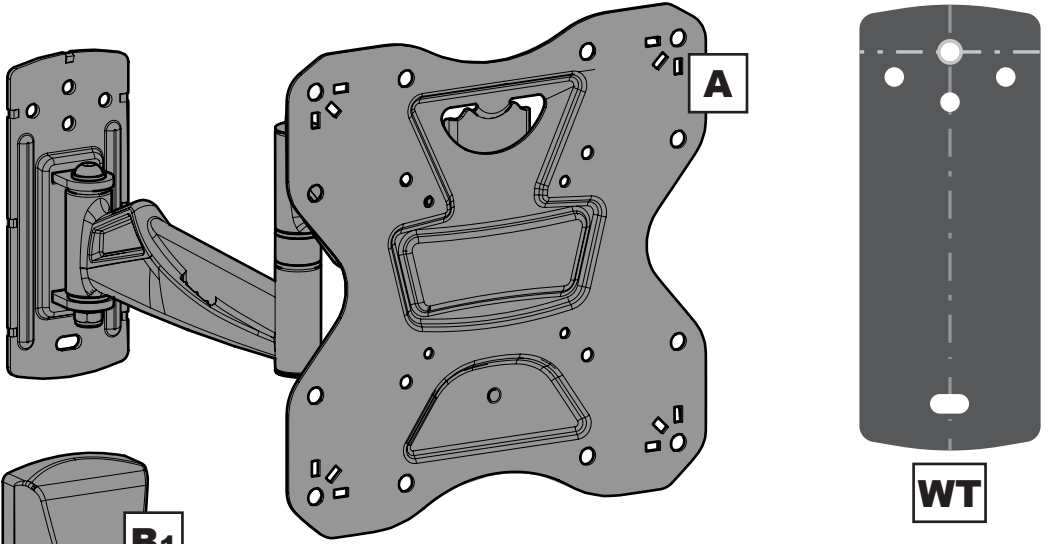
Ø10mm (25/64") Masonry



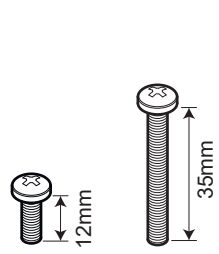
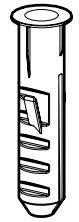
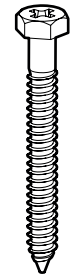
Ø3mm (1/8") Wood



Boxed Parts



4mm

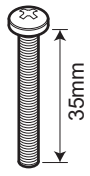


12mm

M4

J1

x4

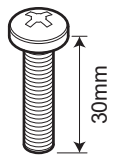


35mm

M4

J2

x4

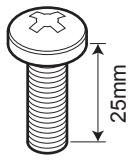


30mm

M6

J3

x4

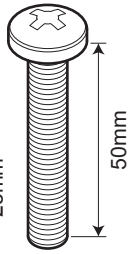


25mm

M8

J4

x4



50mm

M8

J5

x4



K1

x4



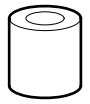
K2

x4



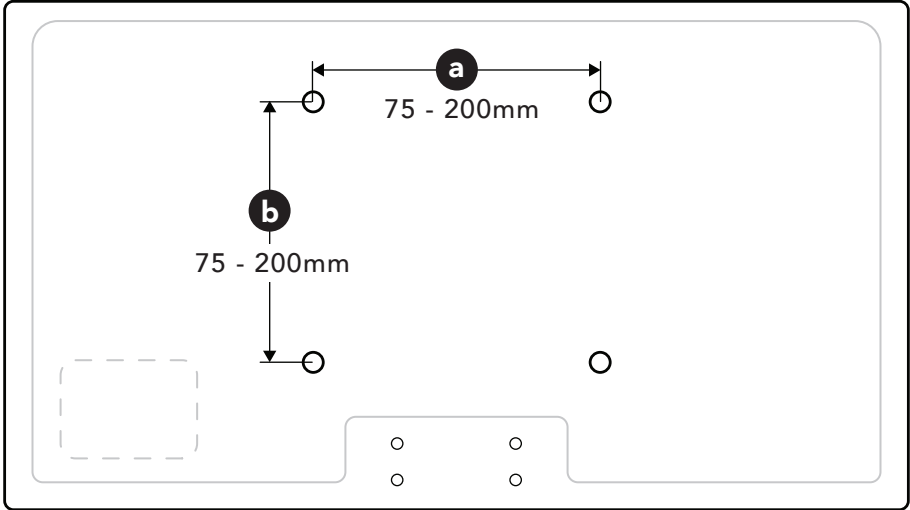
L1

x8

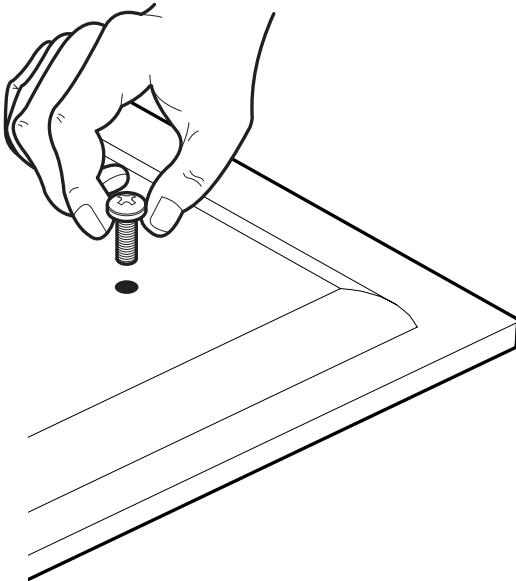


L2

x4

1**Measure the TV fixing holes Width and Height**

If width **a** is greater than 200mm or height **b** greater than 200mm
STOP installation now and contact the customer helpline.



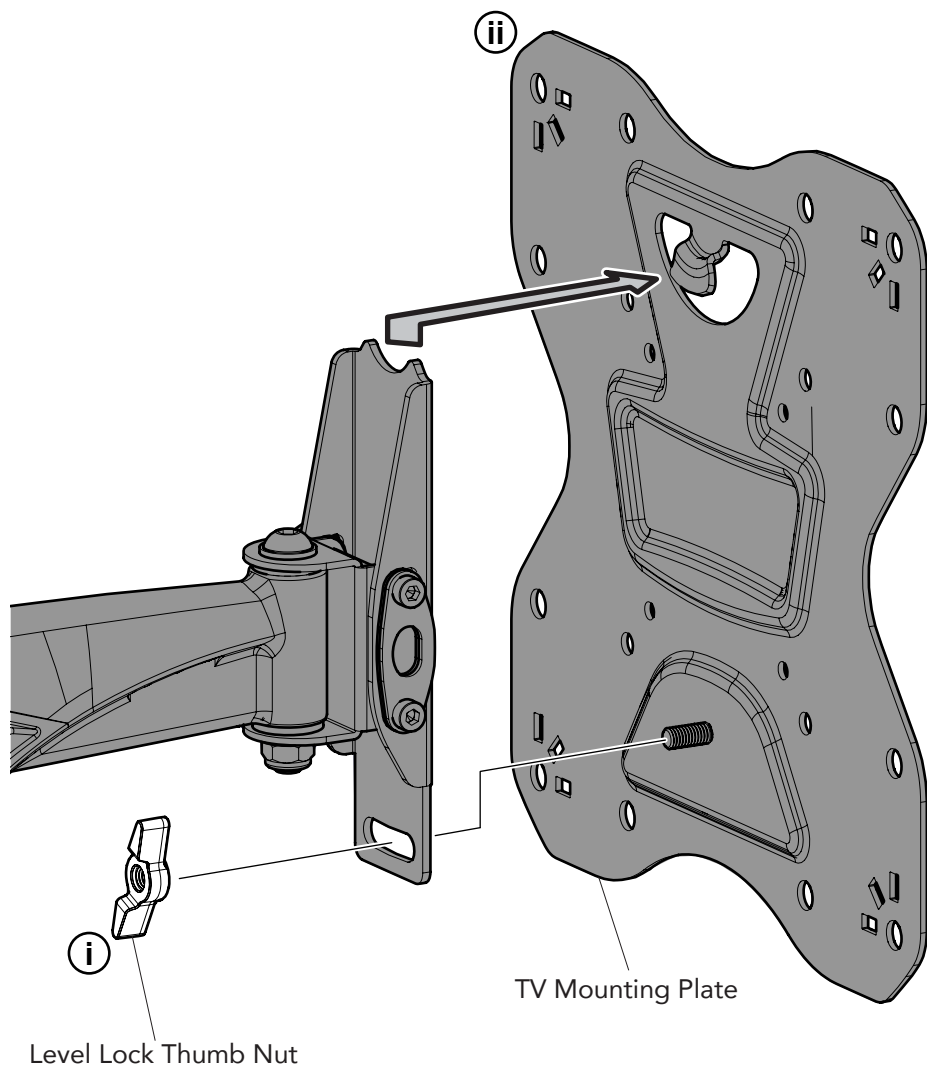
Determine which diameter TV Screws
fit your TV and put them to one side.

M4, M6 or M8

We will select the correct length later.

2 Preparing the TV Mounting Plate

Before you can attach the TV mounting plate to your TV you need to remove the plate from your wall mount.



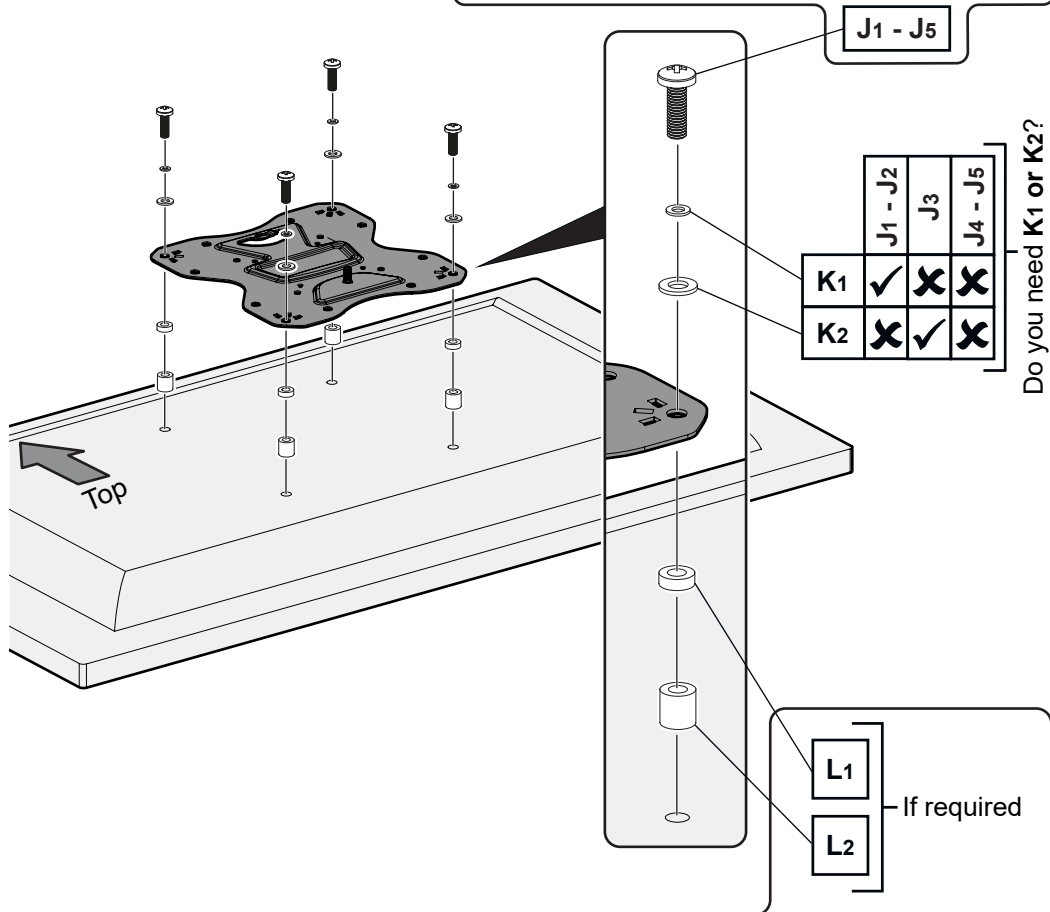
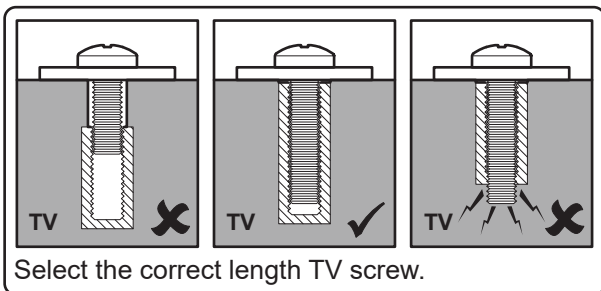
i Remove the Level Lock Thumb Nut and safely keep for step 7.

ii Remove the TV Mounting Plate.

3 Fitting the TV Mounting Plate

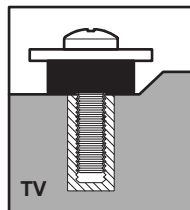


After completing this step, you will have lots of TV screws left over. Keep them in a safe place in case you require them in future.



You may need to use Spacers **L1** or **L2** if the screws are too long or the back of your TV is not flat.

You can also use longer screws and the spacers to help avoid cabling or plug sockets on your wall.



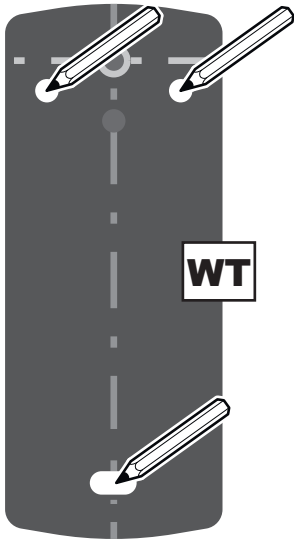
4 Marking Wall for Drill Points

i For this step you will need your Wall Marking Template WT.



To determine the exact position for your drill points use the Height Calculator app. Follow the link to the app shown on your Wall Marking Template.

Before marking any drill points you will need to determine the wall type that you have, either **Solid Wall** or **Wood Stud Wall**. Ensure the drilling area is free from mains services (Gas / Electric / Water).



Solid Wall Drill Points



Wood Stud Drill Points

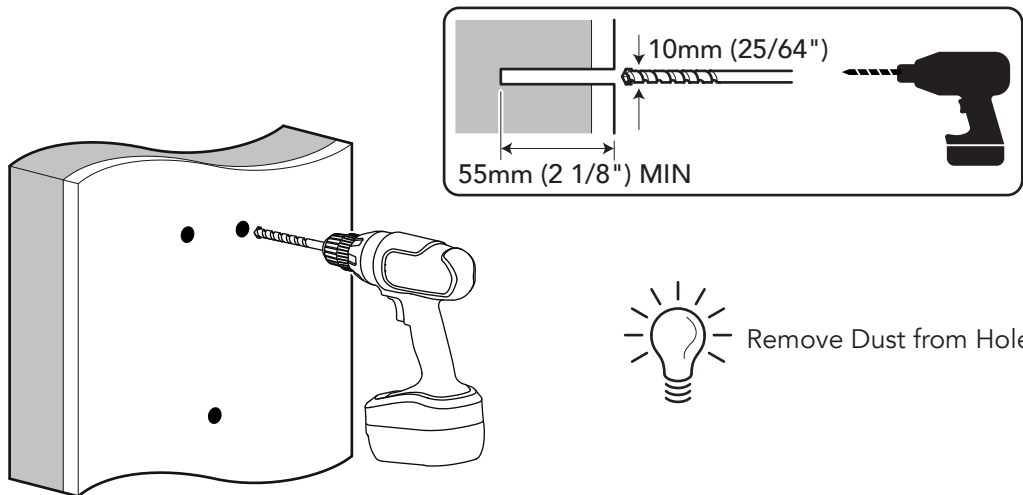
Use the drill points shown depending on what wall type you are fixing the TV Mount to.

Before you drill make sure you are happy with the position and ensure template is level.

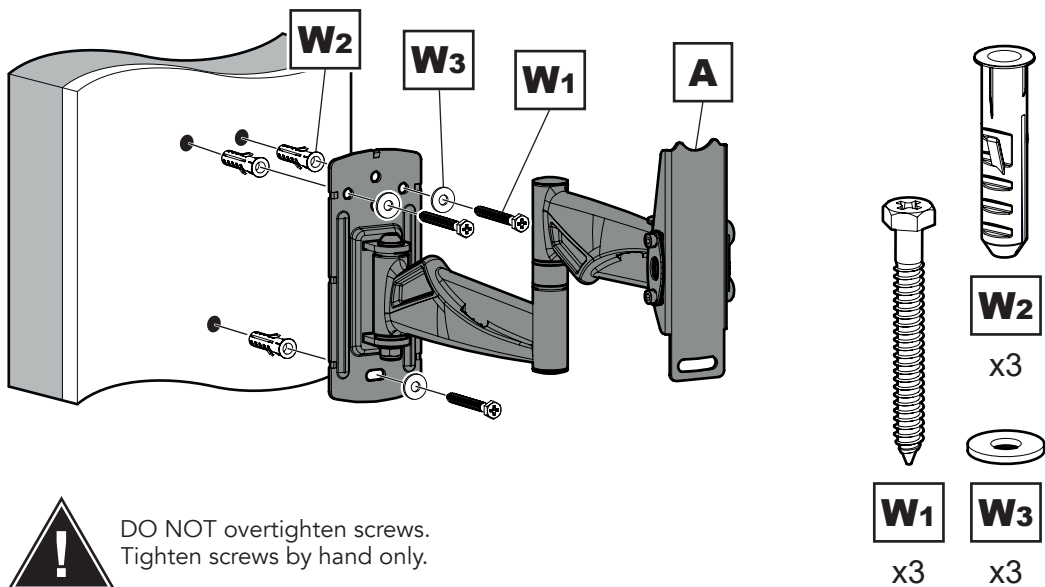
5 Fitting the Wall Bracket

Solid Wall

i If fitting to a Wood Stud Wall follow the installation instructions on the next page.



i Lubricate screw thread with soap

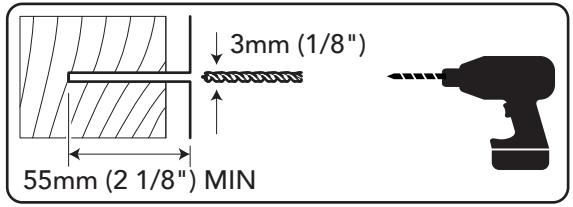
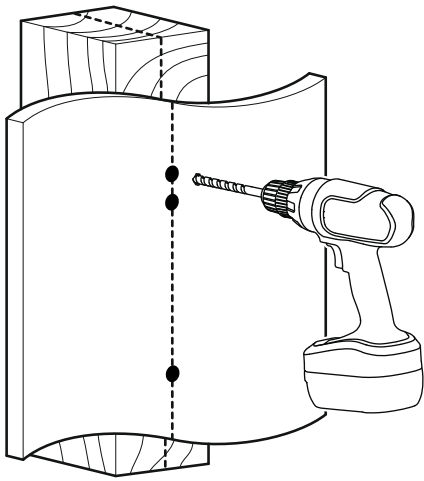


! DO NOT overtighten screws.
Tighten screws by hand only.

Wood Stud Wall



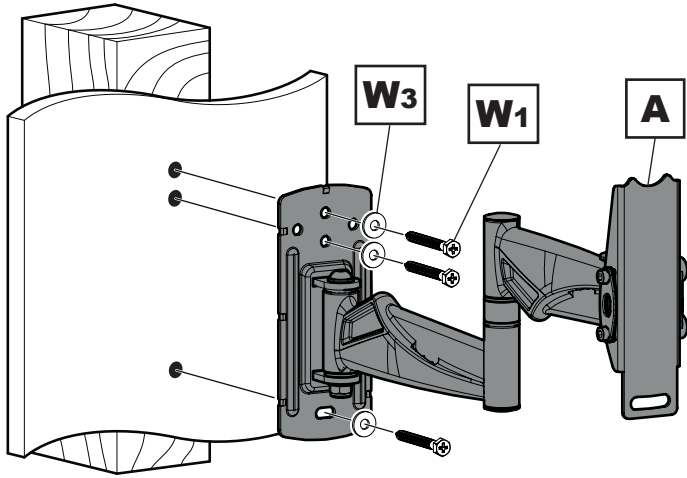
If fitting to a Solid Wall follow the installation instructions on the previous page.



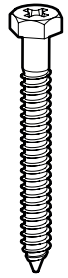
Ensure you drill in the centre of the wood stud.



Lubricate screw thread with soap



DO NOT overtighten screws. Tighten screws by hand only.
DO NOT use wall plugs in a wood stud wall.

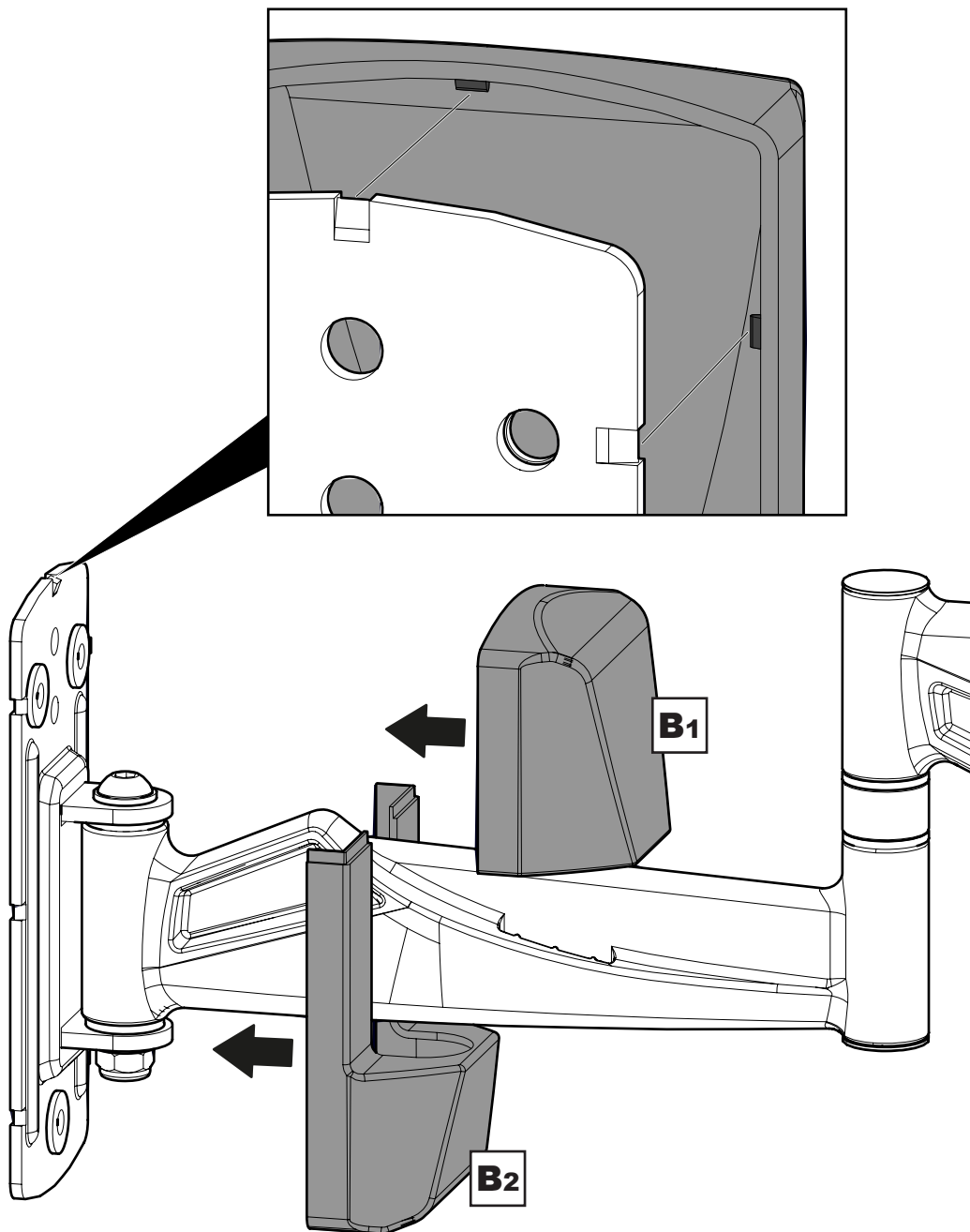


x3

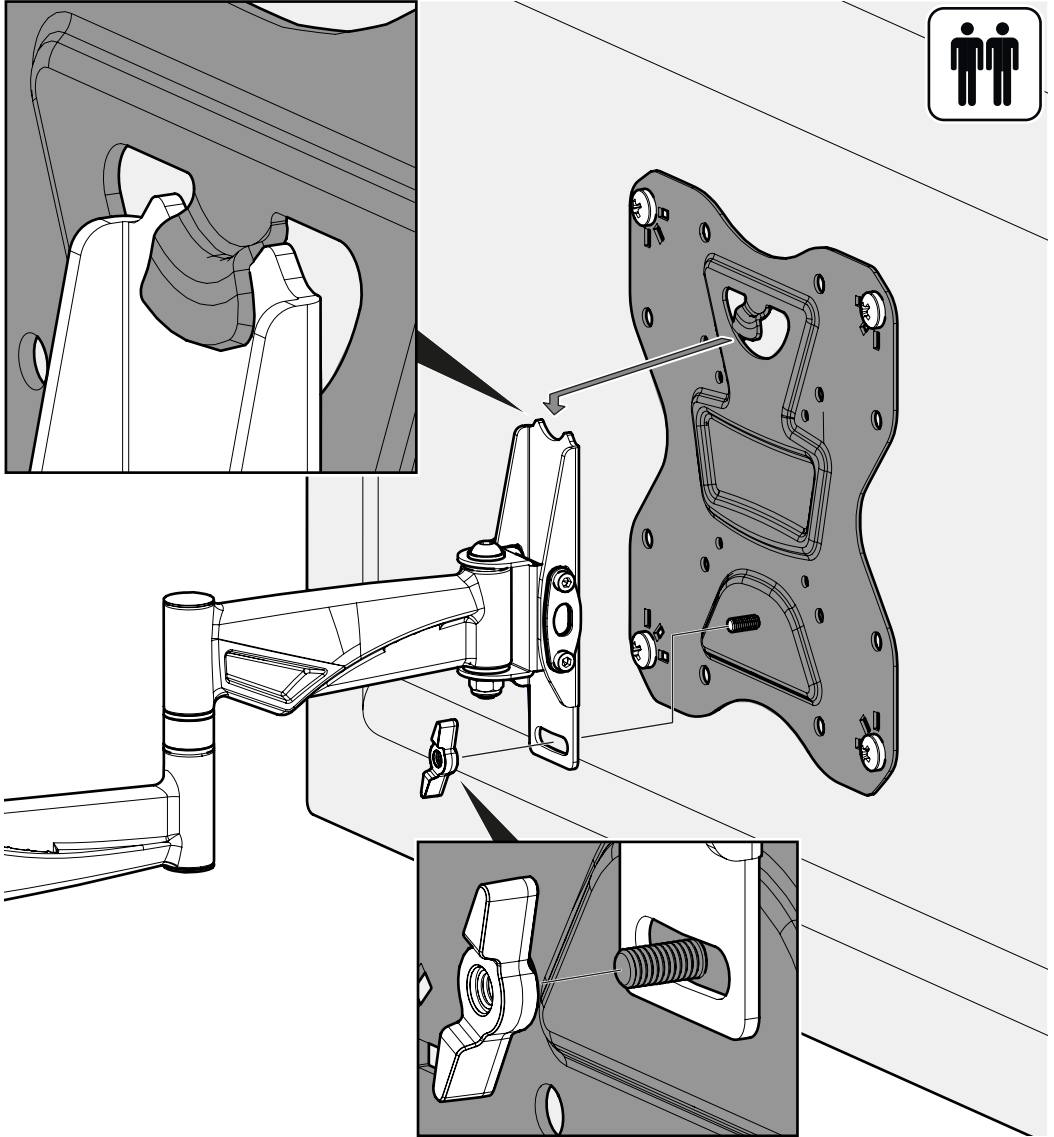
x3

6 Fitting the Wall Bracket Covers

i Align tabs on Wall Bracket Covers with slots on Wall Bracket.



7 Hanging the TV



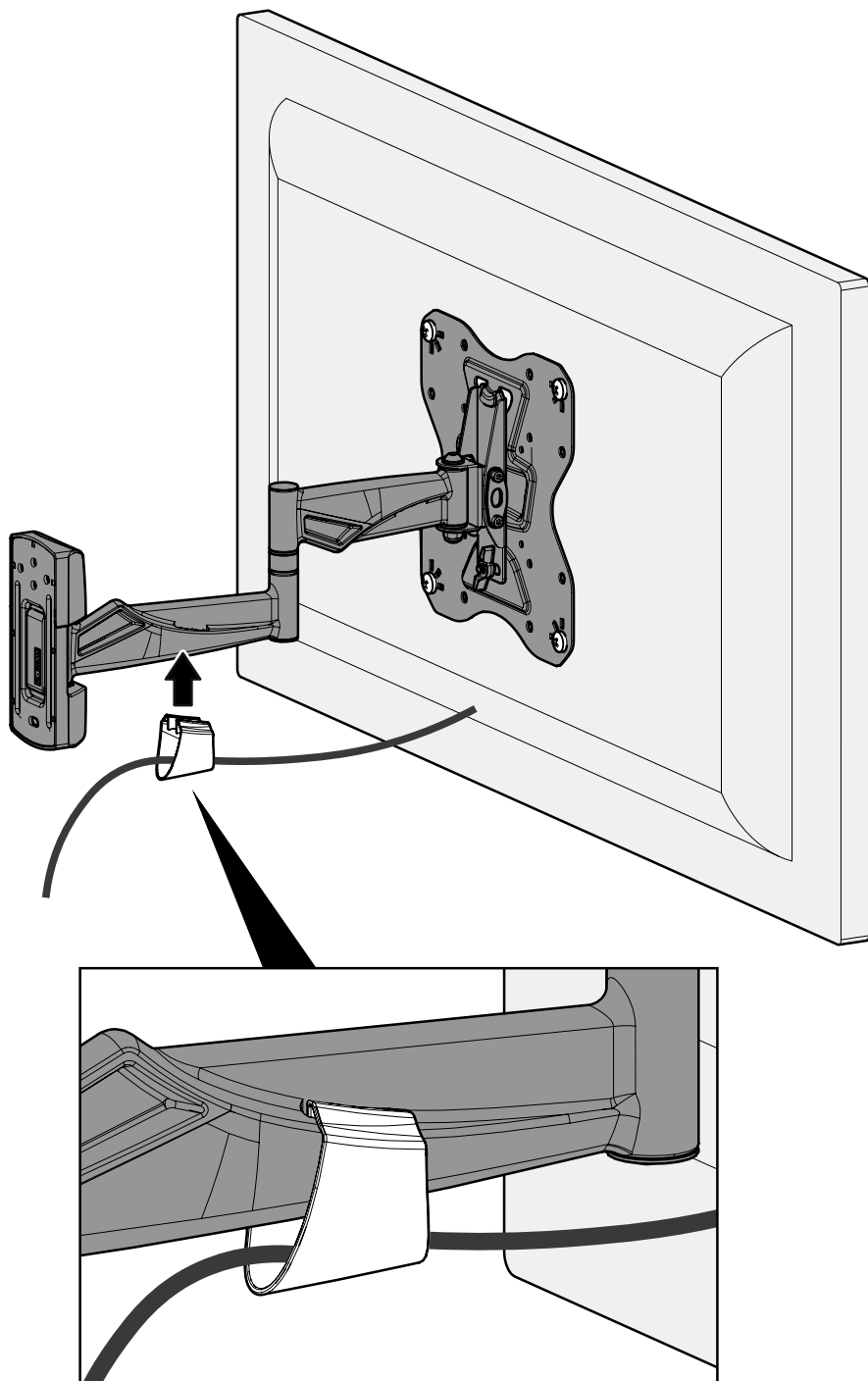
Reuse the Level Lock Thumb Nut saved in step 2.



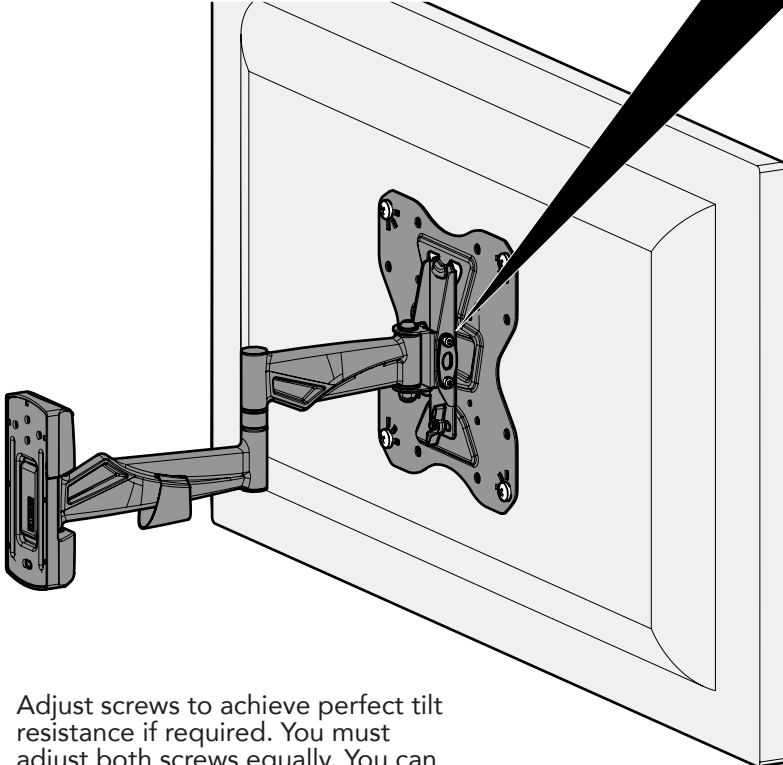
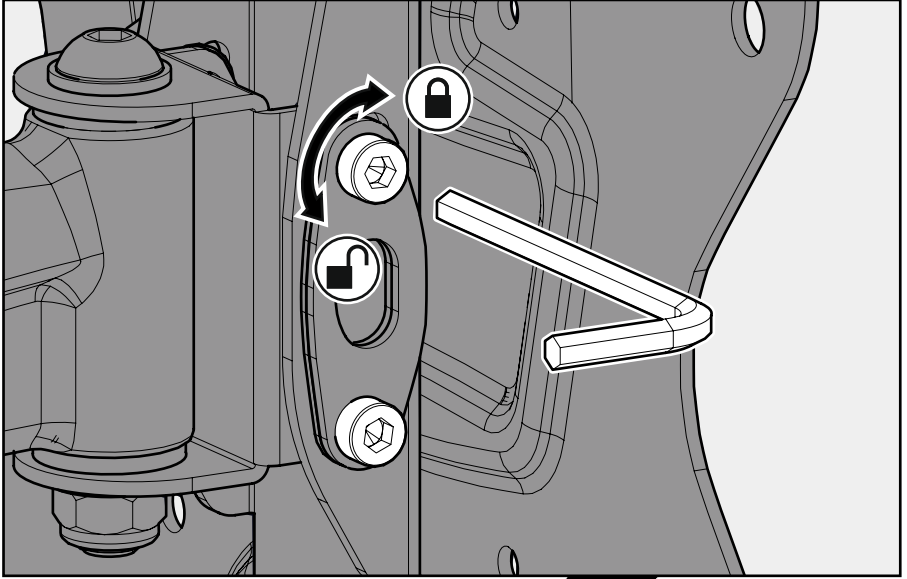
When the TV is level, ensure the thumb nut is fully tightened.



To remove the TV, reverse this procedure.

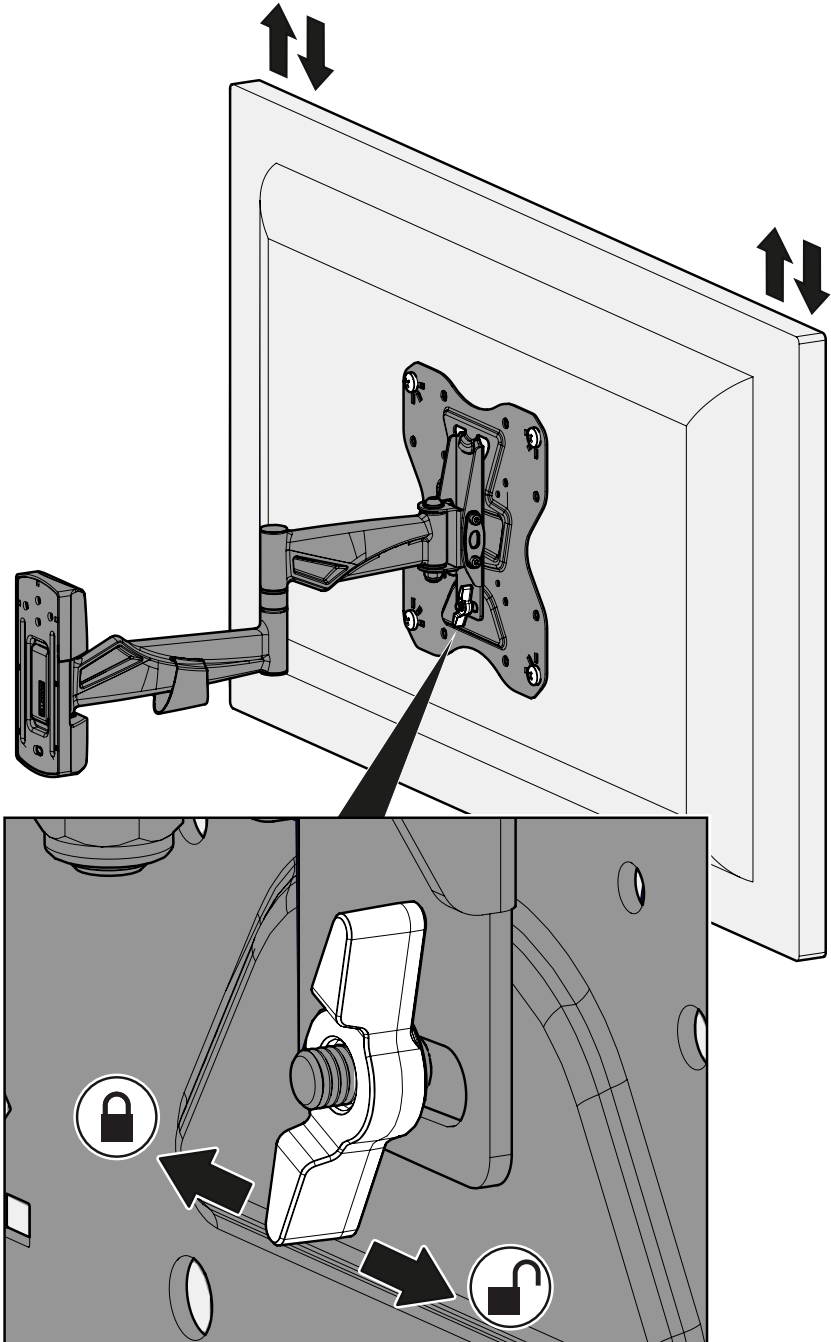


Adjust or Lock Tilt (optional)



Adjust screws to achieve perfect tilt resistance if required. You must adjust both screws equally. You can also lock the tilt if required.

TV Levelling (optional)



Loosen the Level Lock Thumb Nut, adjust your TV until it is level, then re-tighten the thumb nut.