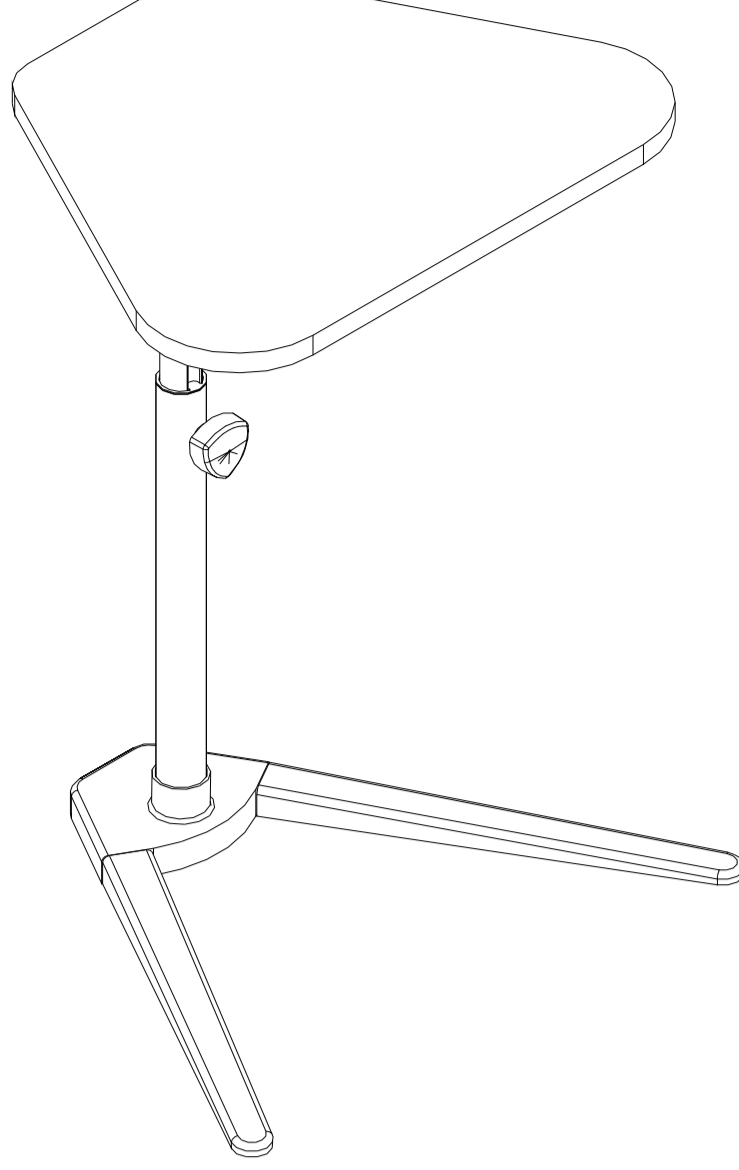
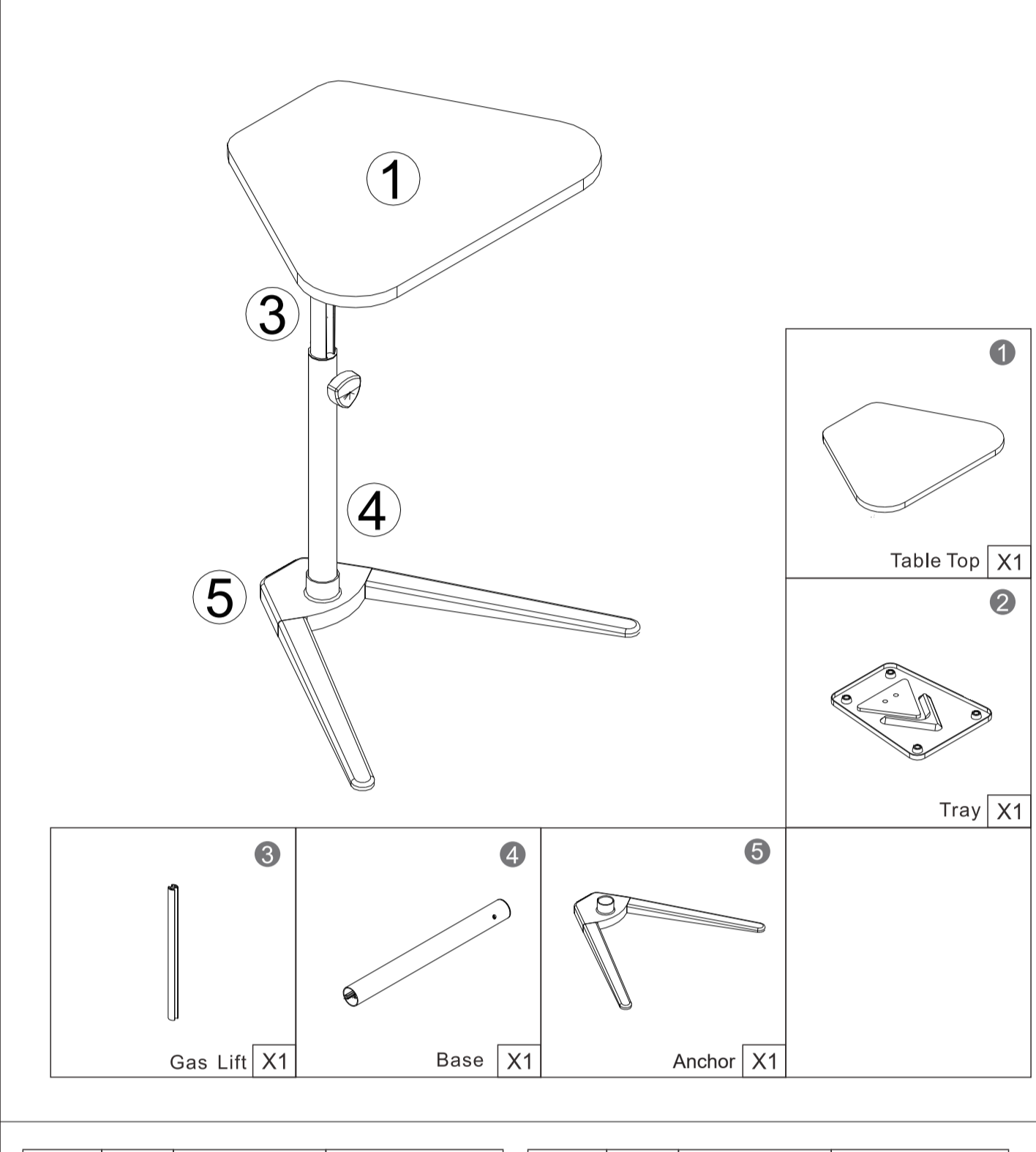


ASSEMBLING INSTRUCTION



CUSTOMER SERVICES HELPLINE NUMBER: 0333 320 0463 (UK)

Attention
Do not tighten the screws until all of them are in right positions

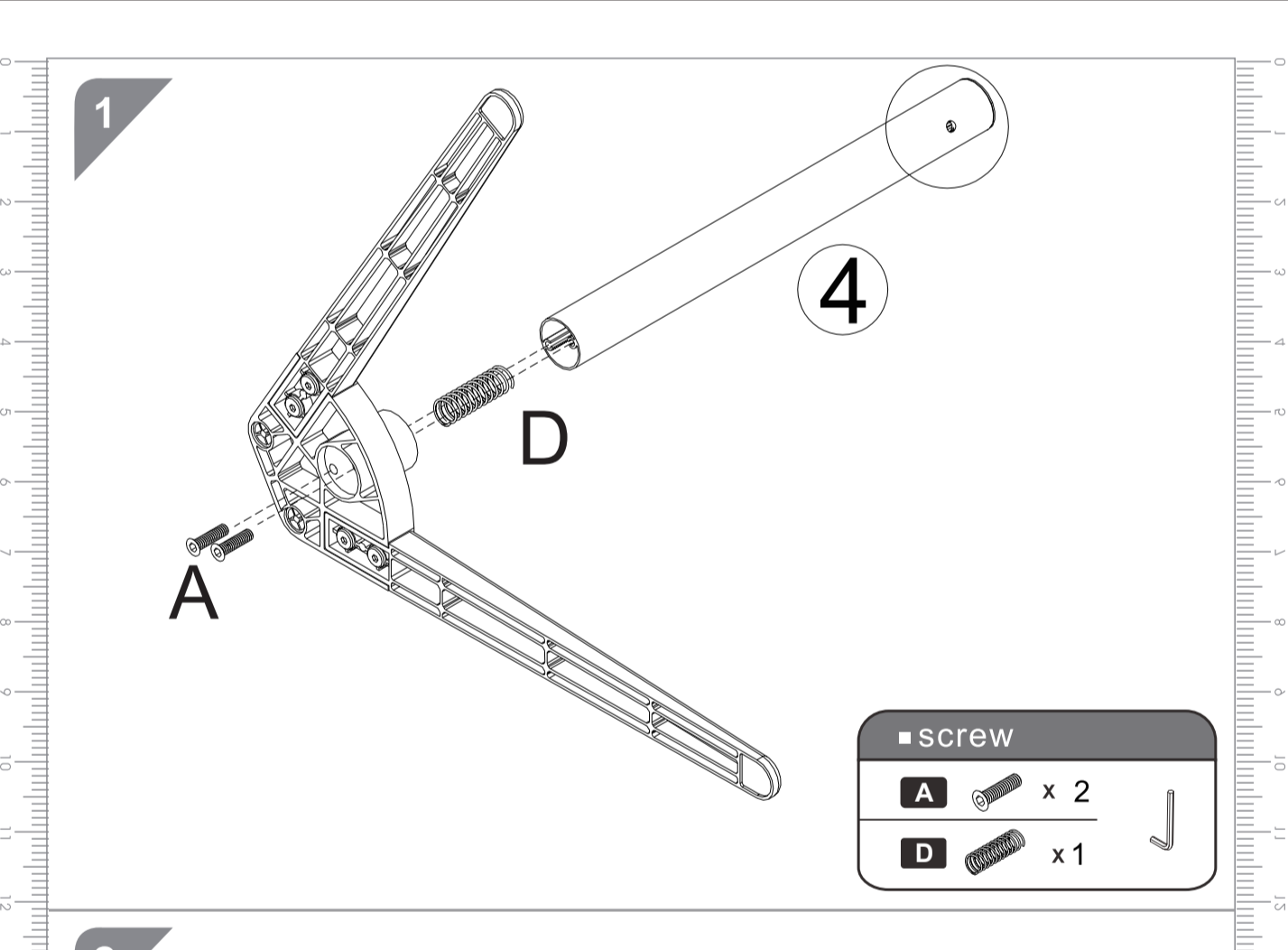


| | Qty | Sizes | Picture |
|----------|-----|------------|---------|
| A | 2 | M6 X 20 MM | |
| B | 6 | M6 X 12 MM | |
| C | 1 | | |

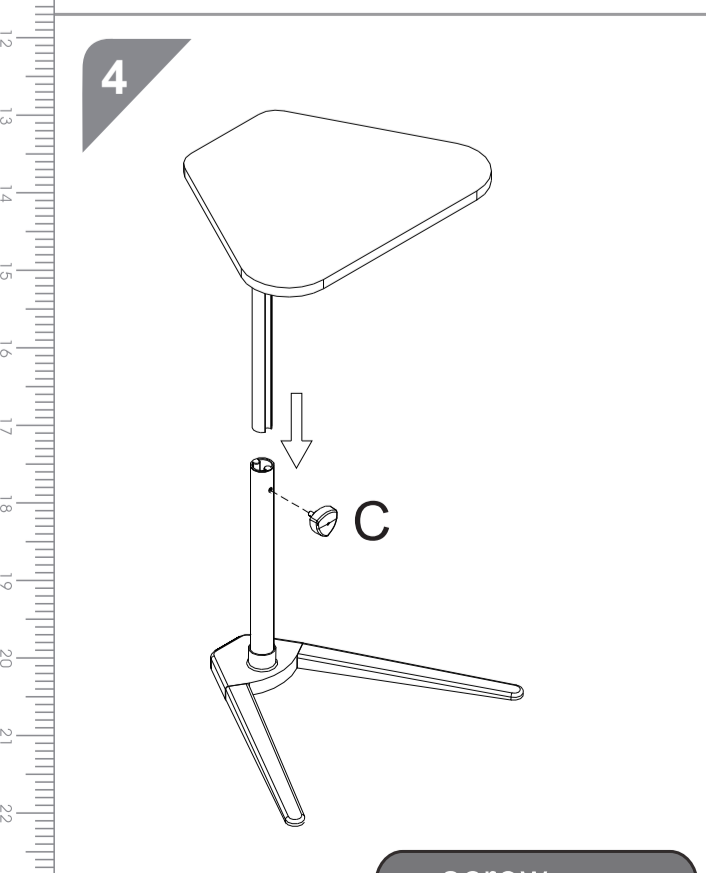
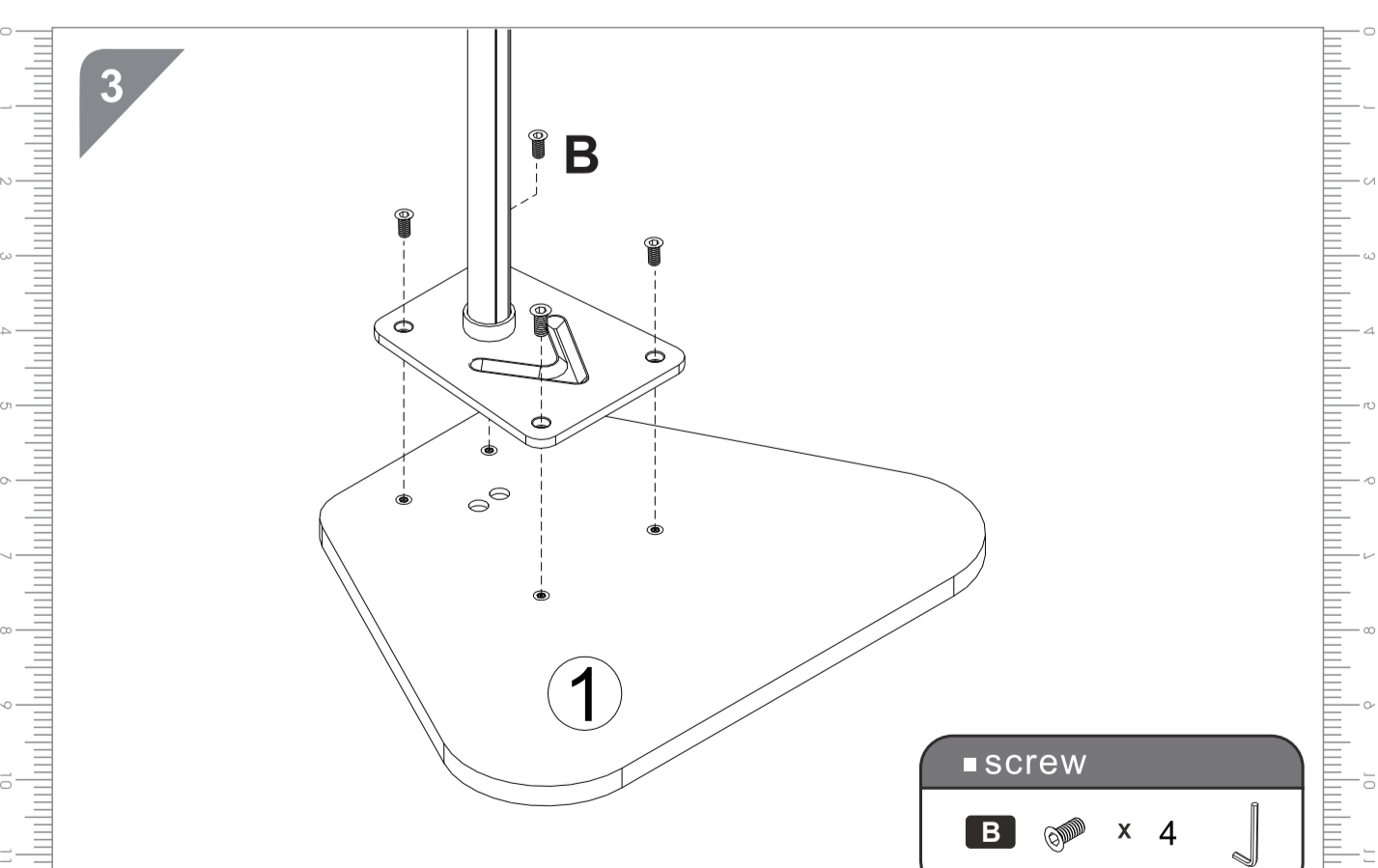
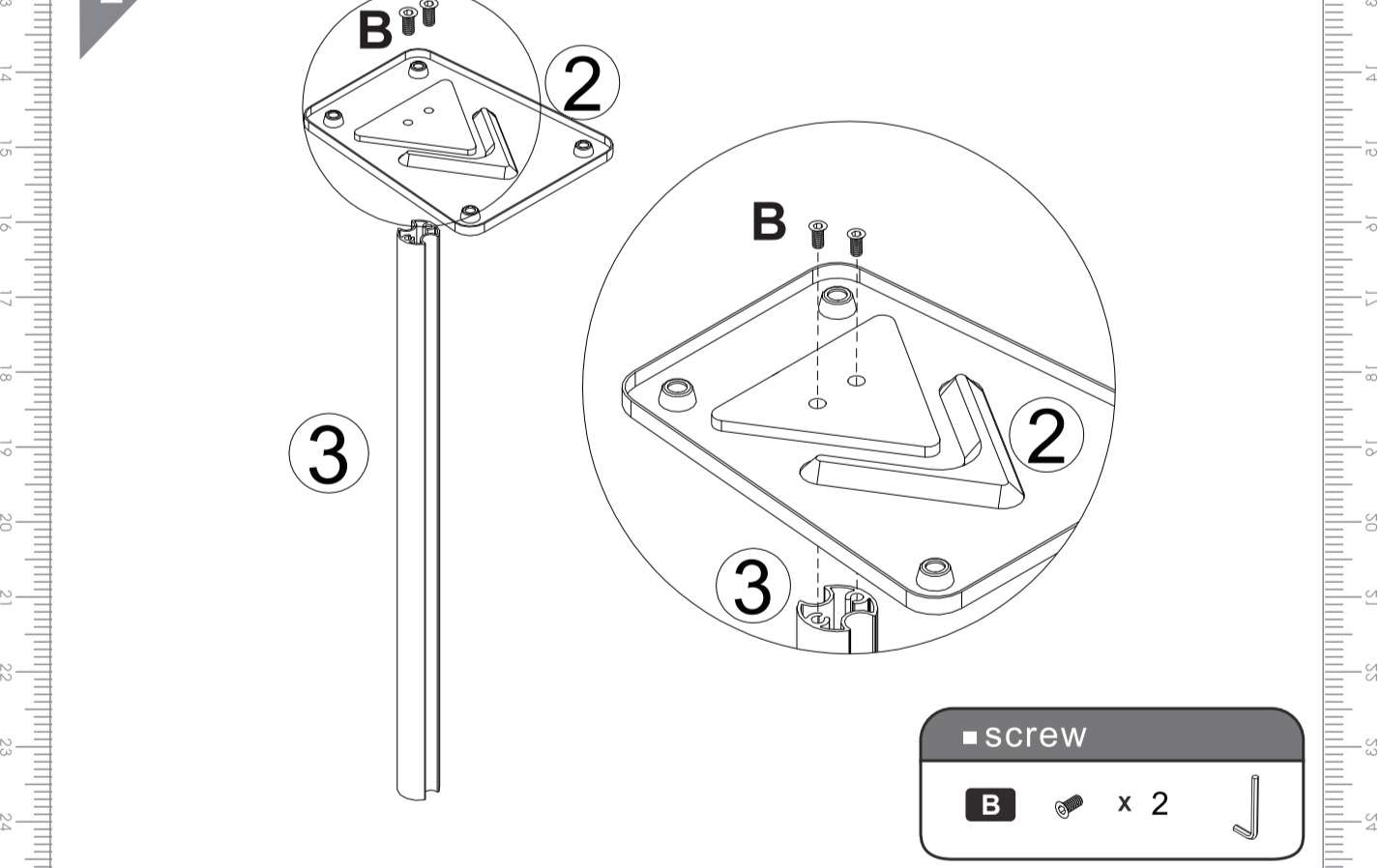
| | Qty | Sizes | Picture |
|-----------|-----|-------|---------|
| D | 1 | | |
| M6 | | | |

1

Steps:



2



3

4

5