

Read through **ALL** instructions before commencing installation.

If you have any questions about this product or issues with installation, contact the customer services help line before returning this product to the store.



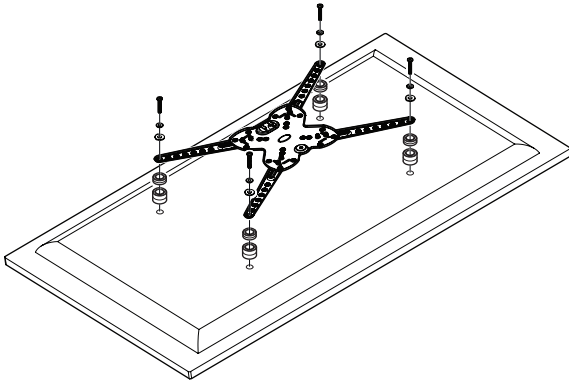
This TV Wall Mount is intended for use with televisions weighing **Maximum 68kg (150lbs)**. Use with products heavier than maximum weight may result in instability causing possible injury.

CUSTOMER SERVICES HELP LINE NUMBER:

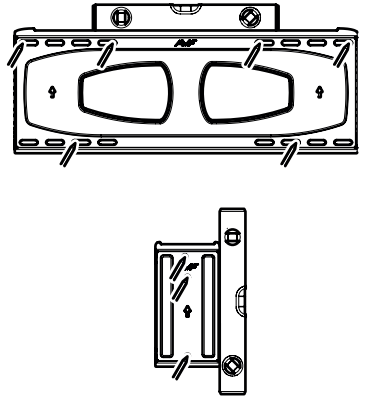
**+44 (0) 333 320 0463 (UK)**  
**1-800 667 0808 (USA)**

## Assembly Overview

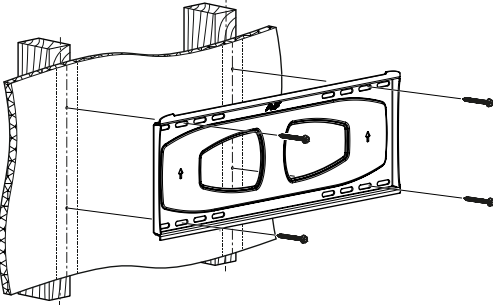
Fit the TV Mounting Plate



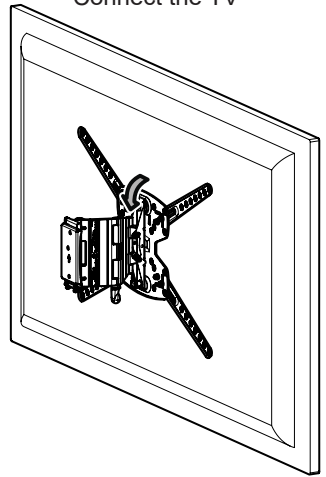
Marking Wall for Drill Points



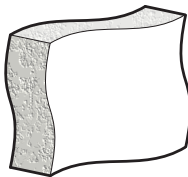
Fit the Wall Plate



Connect the TV



## Suitable Wall Types



Solid Wall



Wood Stud

## Index

- 1** Measure the TV fixing holes
- 2** Preparing the TV Mounting Plate
- 3** Fitting the TV Mounting Plate
- 4** Marking Wall for Drill Points
- 5** Fitting the Wall Plate - Double Stud Wall Plate
- 6** Fitting the Wall Plate - Single Stud Wall Plate
- 7** Hanging the Mount Arm - Double Stud Wall Plate
- 8** Hanging the Mount Arm - Single Stud Wall Plate
- 9** Connecting the TV
- 10** Lateral Shift (Optional)
- 11** Adjust or Lock Tilt (optional)
- 12** TV Levelling (optional)

Retain all packaging in case the product needs to be returned.

Contents may vary from photography / illustrations.

You will not need all these parts, so expect there to be some left over depending upon the specification of your TV.

This product is intended for indoor use only. Use of this product outdoors could lead to failure and personal injury.

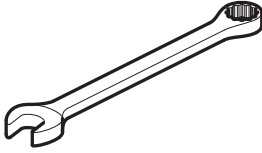
It is the responsibility of the installer to ensure that the mounting wall is of a suitable standard and void of any services (eg gas, electricity, water etc).

AVF accept no responsibility for any damage or loss caused by installing this product in a substandard wall.

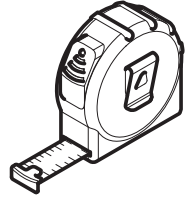
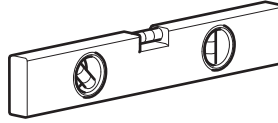
## Tools Recommended



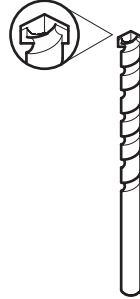
Stud Finder



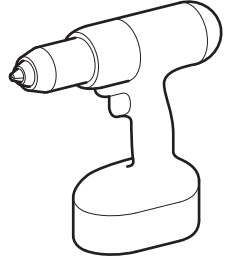
10mm  
13mm



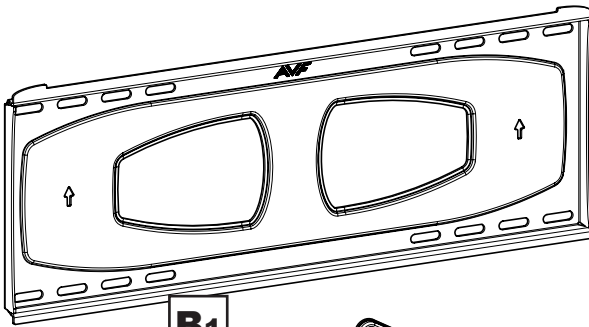
Ø5mm (13/64")  
Wood



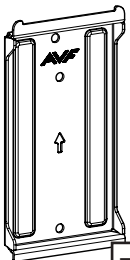
Ø12mm (15/32")  
Masonry



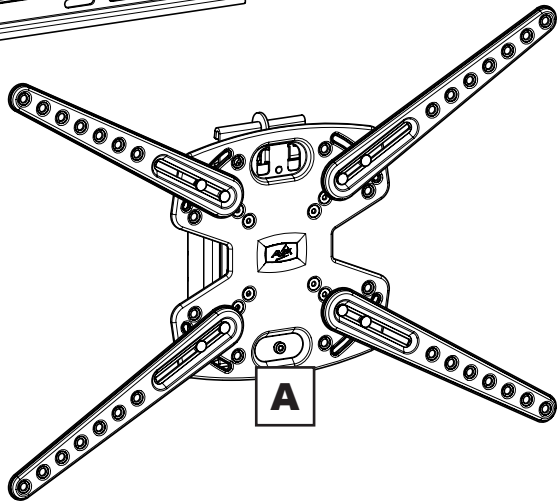
## Boxed Parts



**B1**



**B2**



**A**

# TV Screws, Reducers and Spacers



**H1** x4



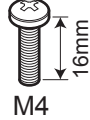
**H2** x4



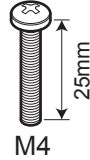
**I1** x12



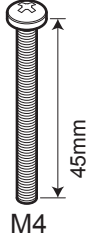
**I2** x4



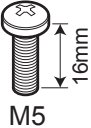
**J1** x4



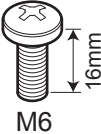
**J2** x4



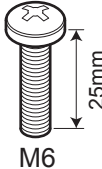
**J3** x4



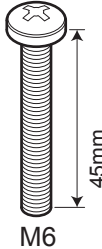
**J4** x4



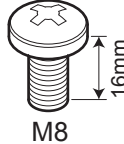
**J5** x4



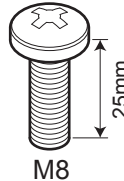
**J6** x4



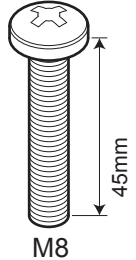
**J7** x4



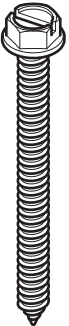
**J8** x4



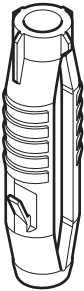
**J9** x4



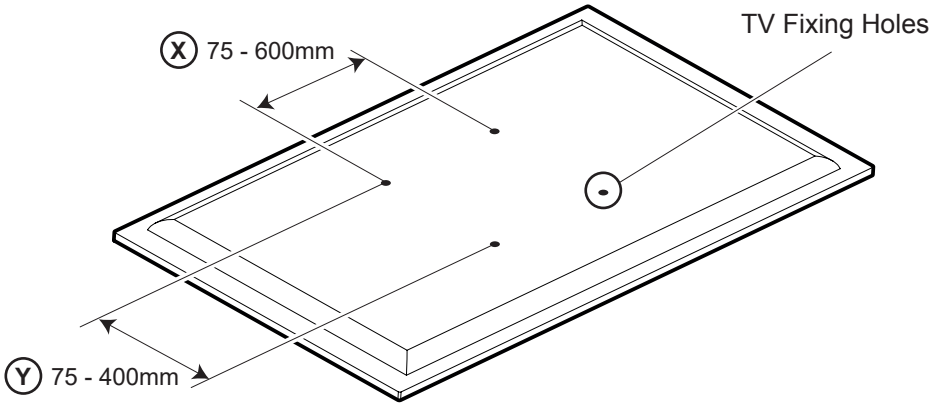
**J10** x4



**K** x6

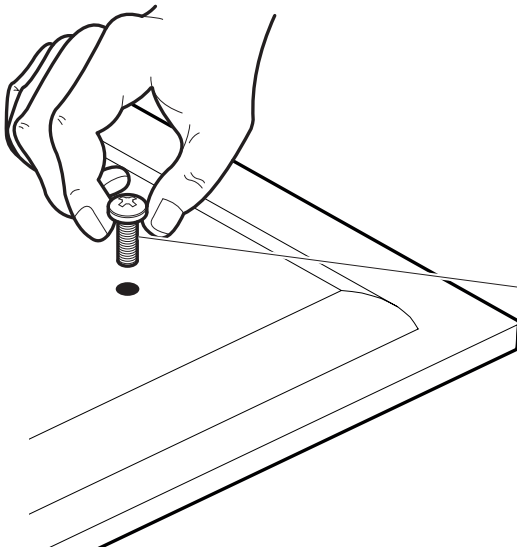


**L** x6

**1****Measure the TV fixing holes**

If width **X** is greater than 600mm or height **Y** greater than 400mm STOP installation now and contact the customer helpline

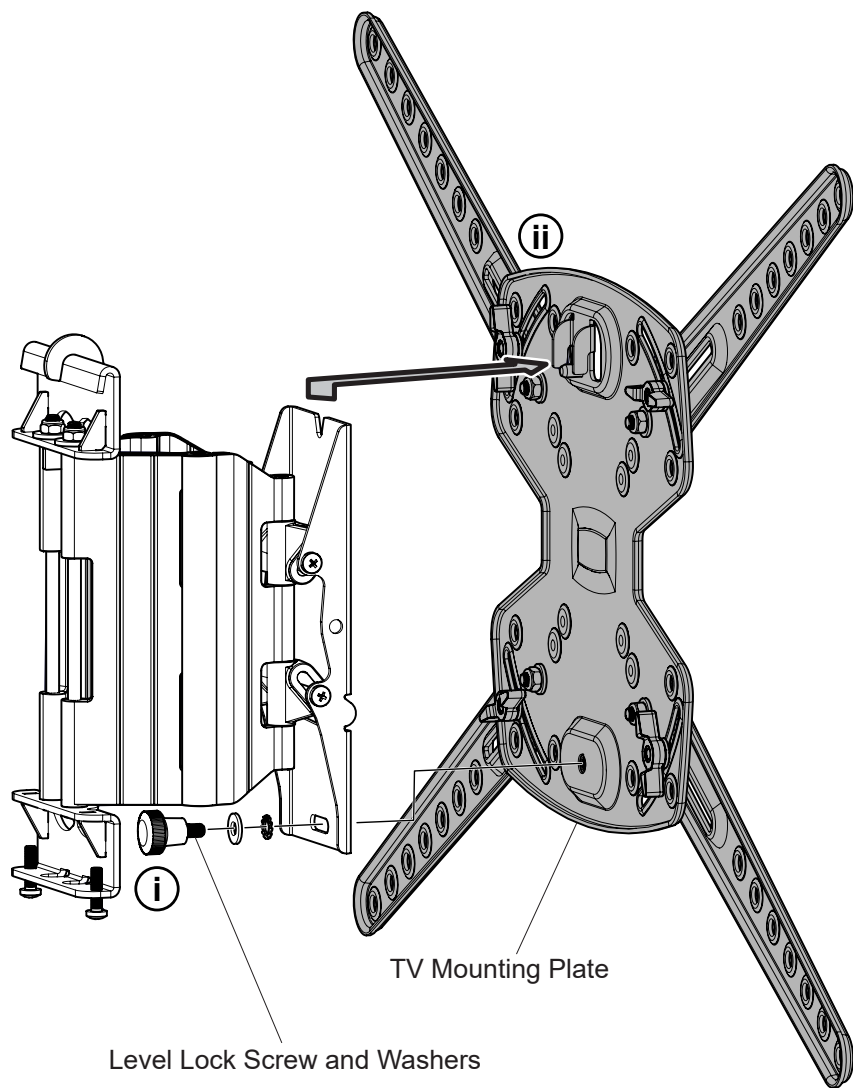
You are provided with 4 diameters of TV fixing screws, **M4**, **M5**, **M6** and **M8**. Determine the screw diameter that fits and remember for step 3.

**M4 = J1/J2/J3****M5 = J4****M6 = J5/J6/J7****M8 = J8/J9/J10**

After completing step 3 you will have fittings left over, please keep for future reference.

## 2 Preparing the TV Mounting Plate

Before you can attach the TV mounting plate to your TV you need to remove the plate from your wall mount.



- i** Remove the Level Lock Screw and Washers and safely keep for step 10.
- ii** Remove the TV Mounting Plate.

Use the option that fits your TV

### OPTION 1

300mm x  100mm

300mm x  200mm

300mm x  300mm

400mm x  100mm

400mm x  200mm

400mm x  300mm

400mm x  400mm

75-400mm x  75-400mm

600mm x  100mm

600mm x  200mm

600mm x  300mm

600mm x  400mm

400-600mm x  75-400mm

### OPTION 2

75mm x  75mm

100mm x  100mm

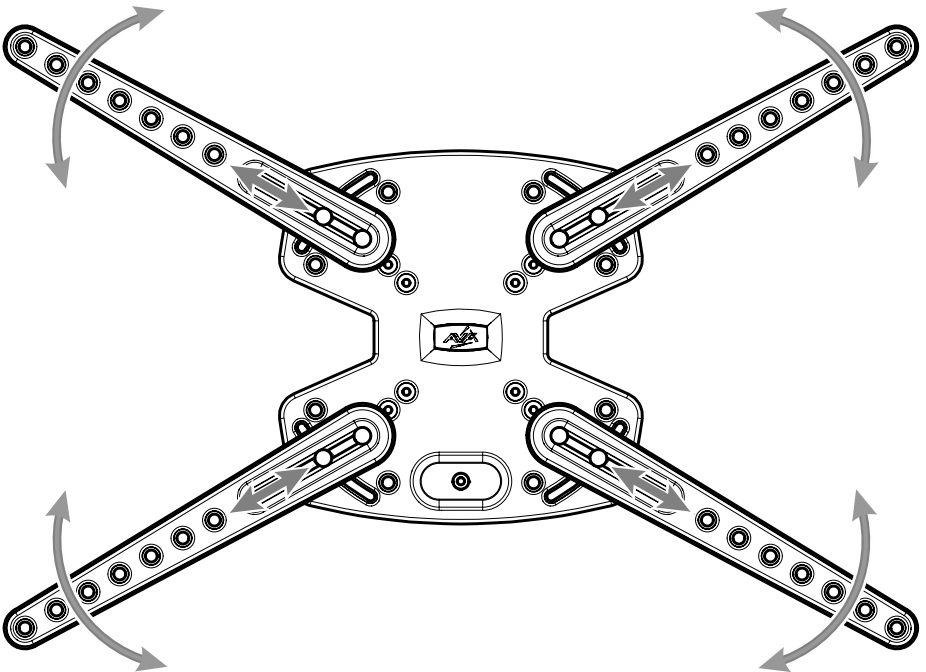
100mm x  200mm

200mm x  100mm

200mm x  200mm

If in any doubt please call the customer helpline

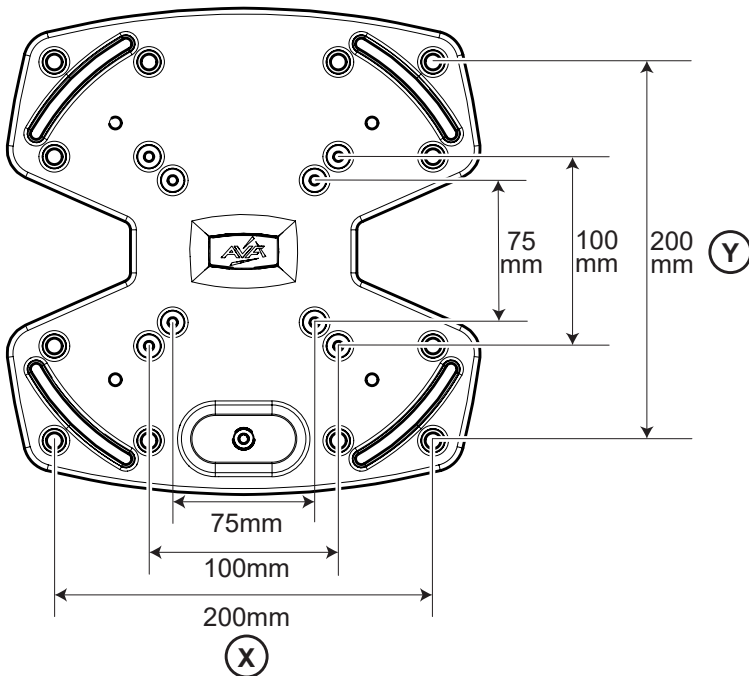
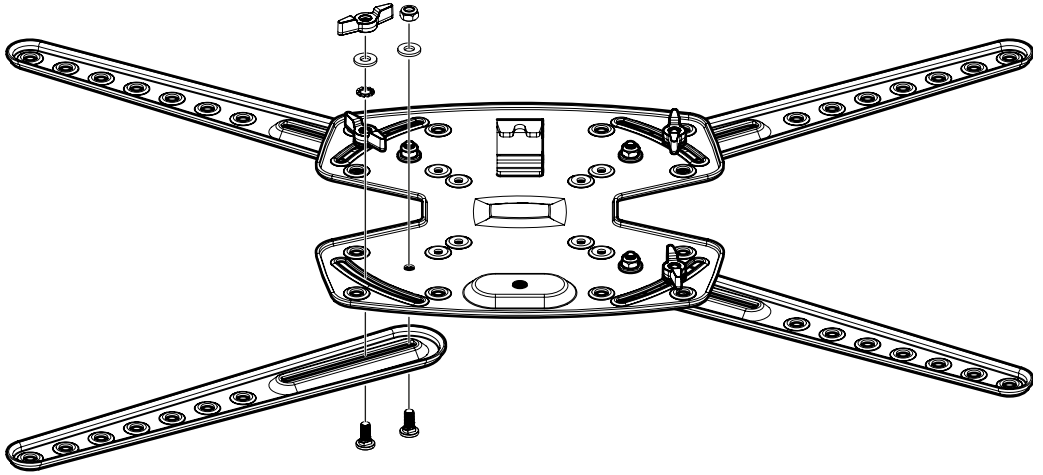
### OPTION 1





## OPTION 2

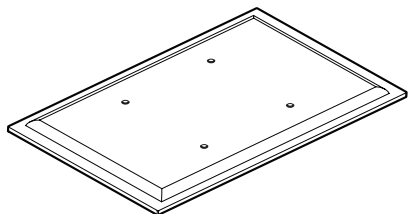
If using Option 2 you need to remove the four VESA Adaptors. Keep the adaptors and fixings in a safe place in case they are needed in the future.



### 3 Fitting the TV Mounting Plate

#### No Spacers

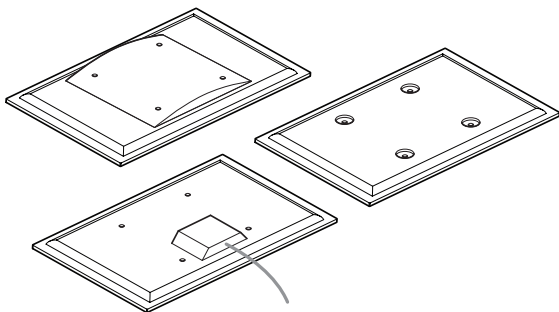
For TVs with flat / unobstructed back.



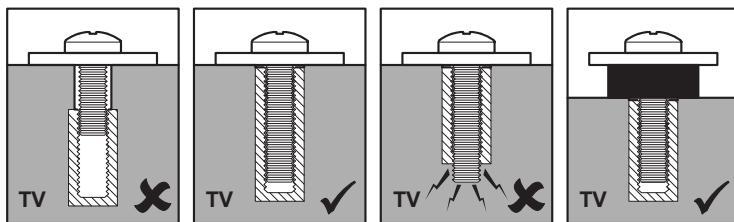
#### Spacers

1/1/2

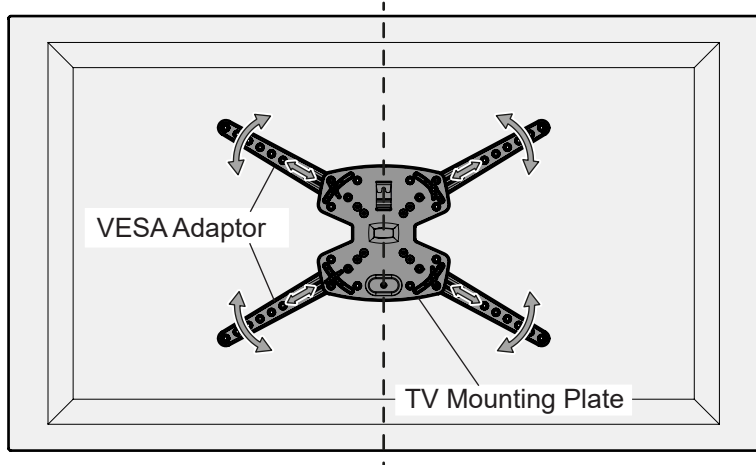
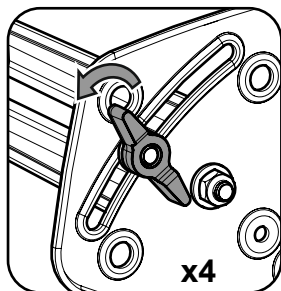
For TVs with irregular / obstructed back.



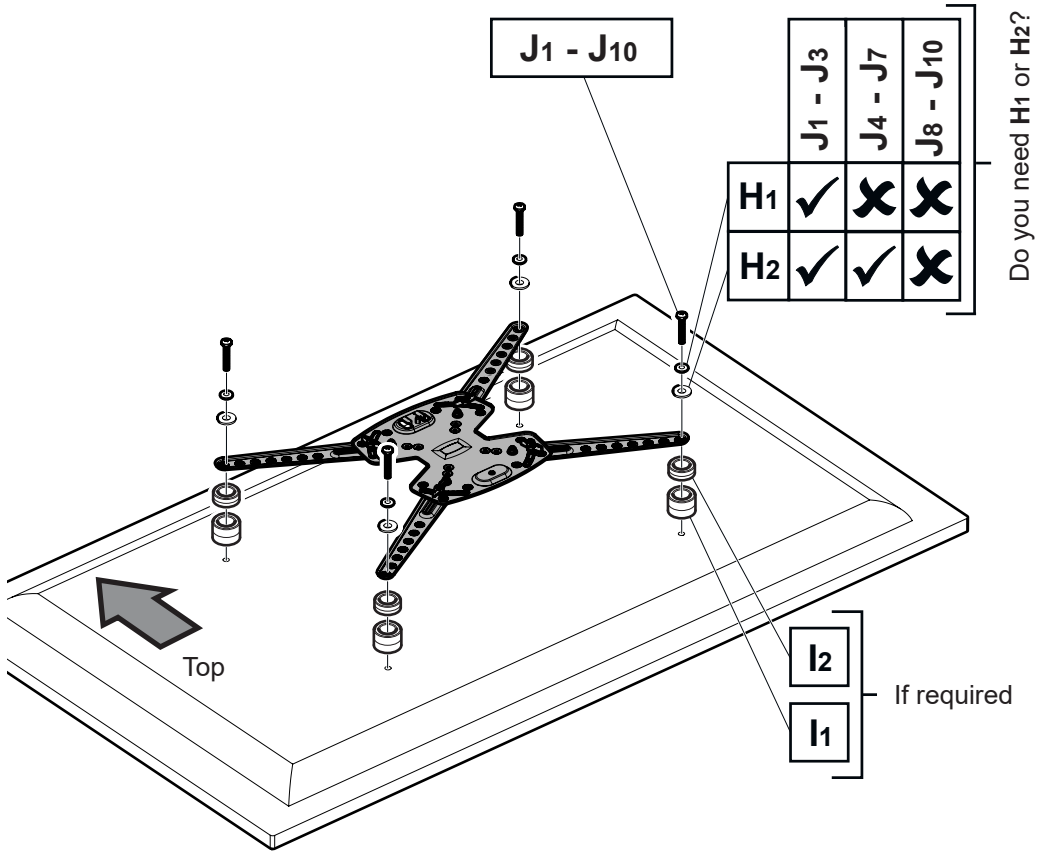
WARNING



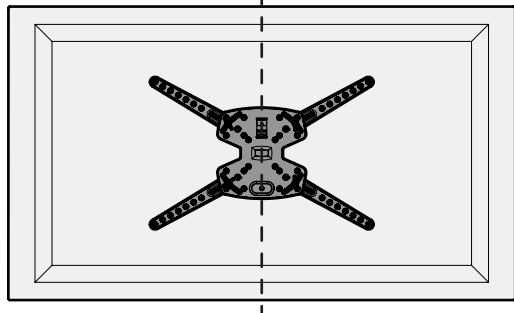
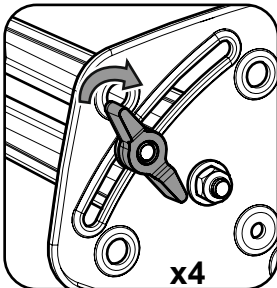
**i** Loosen the Thumb Screws and adjust the VESA Adaptors to fit the holes on the back of your TV. You can use any hole on the adaptors. The TV Mounting Plate must be level and vertically centred on the back of your TV.



**ii** Attach the mounting plate to the back of your TV using suitable screw, reducer and spacer combinations.



**iii** Make sure the TV Mounting Plate is still level and vertically centred on the back of your TV. Tighten the Thumb Screws.



If your TV has an irregular/obstructed back or if you have any issues fitting to the back of your TV with the supplied screws, please call the customer services helpline.

# 4

## Marking Wall for Drill Points

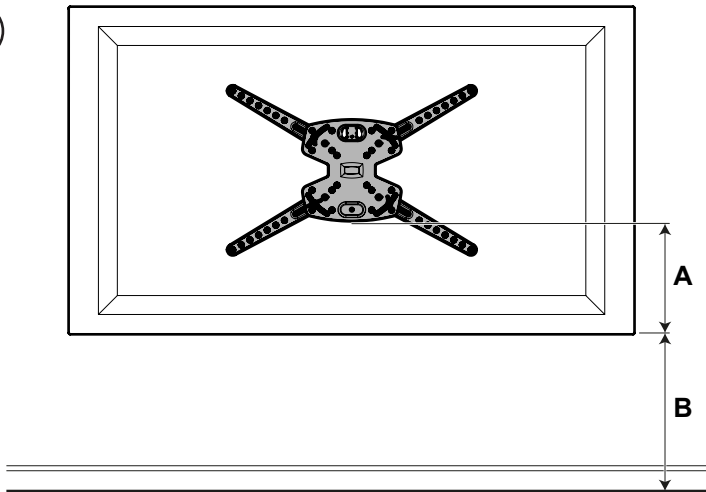
You will first need to decide whether you want to use the Double (**B1**) or Single (**B2**) Stud Wall Plate.

The **Double Stud Wall Bracket is for solid or wood stud walls** and has a lateral shift option for perfect TV alignment.

The **Single Stud Wall Bracket is for wood stud walls only** and has a much smaller on-wall footprint.

Before marking any drill points you will need to determine the wall type that you have, either **Solid Wall** or **Wood Stud Wall**. Ensure the drilling area is free from mains services (Gas / Electric / Water). If fixing to a solid wall it is recommended that you place the Wall Plate so that the Wall Plate Centre line is where you want the centre of your TV to be. If you need to avoid services embedded in the wall then you may need to laterally shift the arms on the wall plate a small amount. **See Lateral Shift Option.**

If fixing to a wood stud wall you must place the Wall Plate so that the fixing holes are over two wood studs, if using the Double Stud Wall Plate, or over one wood stud if using the Single Stud Wall Plate. If you want the centre of your TV in a different position to the Wall Plate Centre Line you can laterally shift the arms on the wall plate to ensure your TV is in the desired position. **See Lateral Shift Option.**

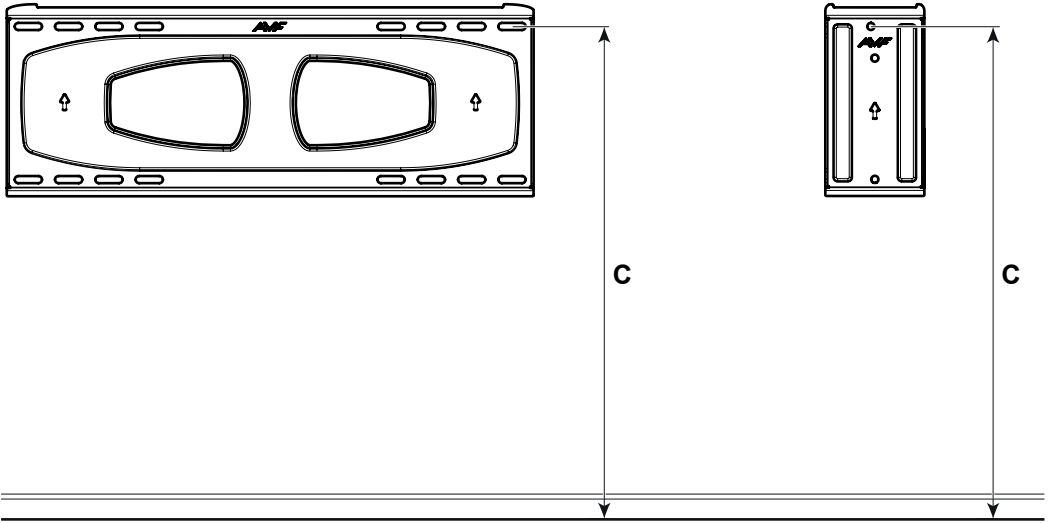


Measure, in mm, from the bottom of the TV Bracket to the bottom of your TV. This will give you **A**.

Decide at what height you want the bottom of the TV to be above the floor in mm. This will give you **B**.

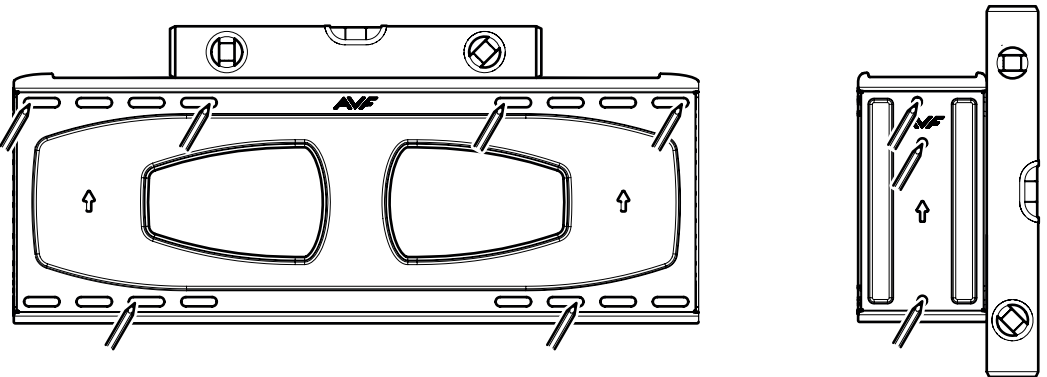
Use your Wall Plate as a template to mark the drill points.

ii



ii

To work out the correct height **C**, in mm, to mark the drill points, use the sum  $C=A+B+226$ .



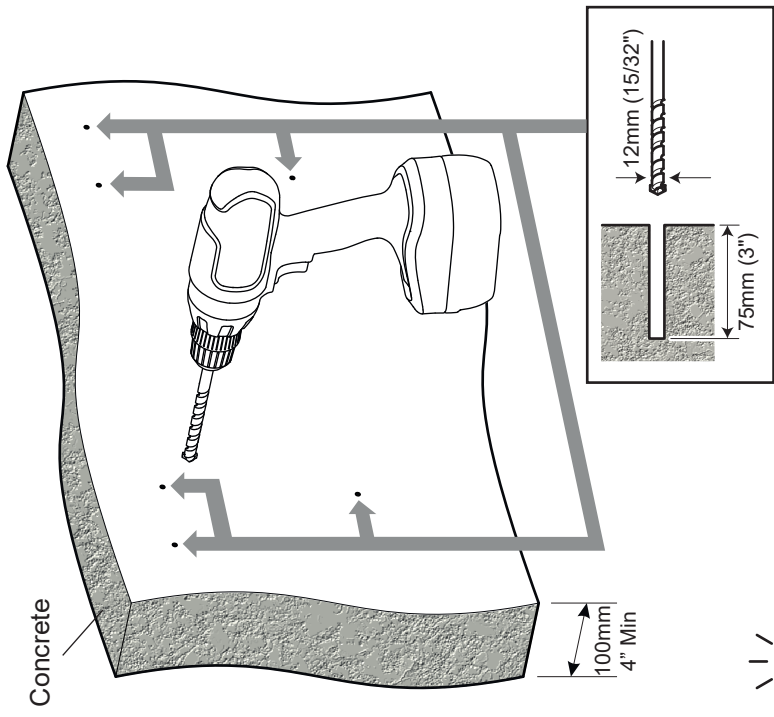
If fixing the Double Stud Wall Plate to a solid wall use the six fixing holes shown. If fixing to a wood stud wall only four screws are required. Position the Wall Plate so that it spans two wood studs and ensure each screw is in the centre of a wood stud.

Before you drill make sure you are happy with the position and ensure all markings are correct and level.

# 5

## Fitting the Wall Plate - Double Stud Wall Plate

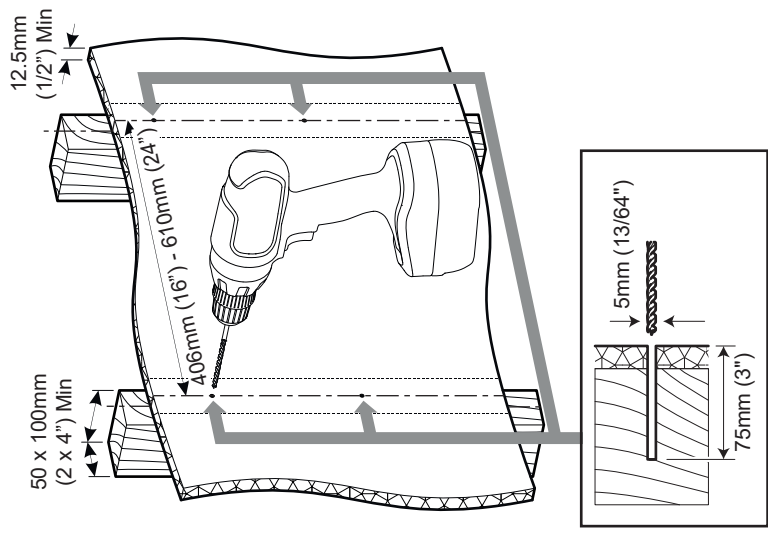
**Solid Wall**



Remove Dust from Hole.

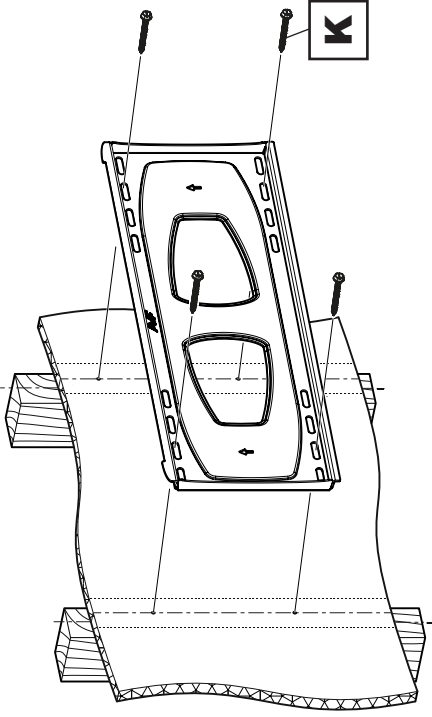


**Wood Stud**



Ensure you drill in the centre of the wood stud.





**K** x4

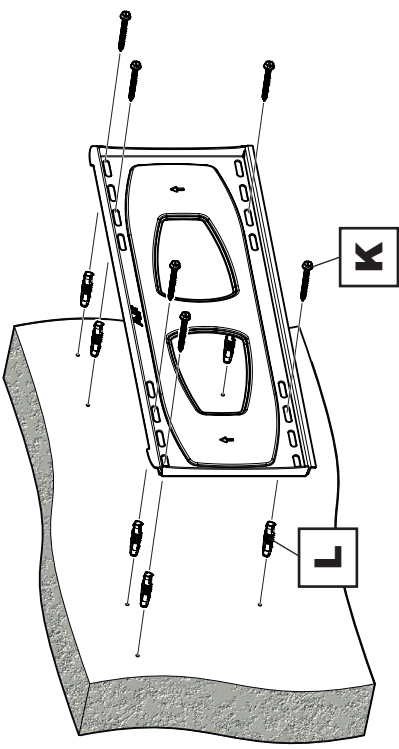


Lubricate screw thread with soap.

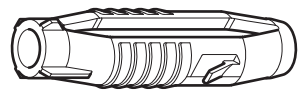
DO NOT overtighten screws.  
Tighten screws by hand only.



DO NOT use wall plugs in a wood stud wall.



**K** x6



**L** x6



Lubricate screw thread with soap.

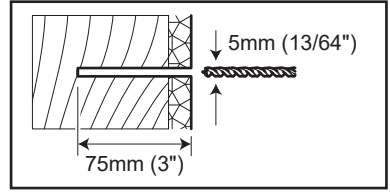
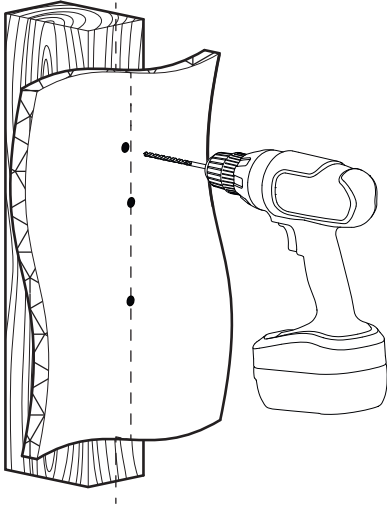
DO NOT overtighten screws.  
Tighten screws by hand only.



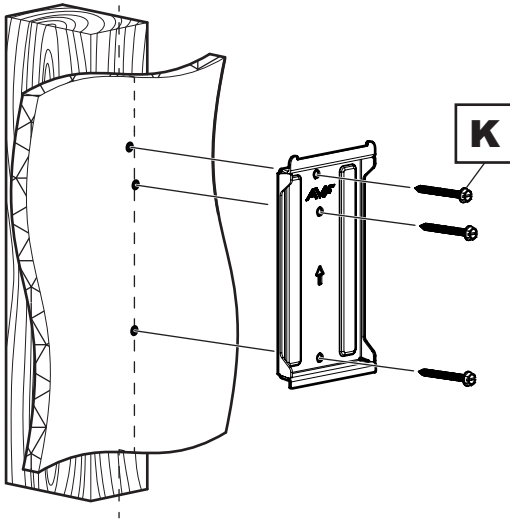
# 6

## Fitting the Wall Plate - Single Stud Wall Plate

### Wood Stud



Ensure you drill in the centre of the wood stud.

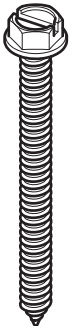


DO NOT overtighten screws.  
Tighten screws by hand only.

DO NOT use wall plugs in a  
wood stud wall.



Lubricate screw thread with soap.

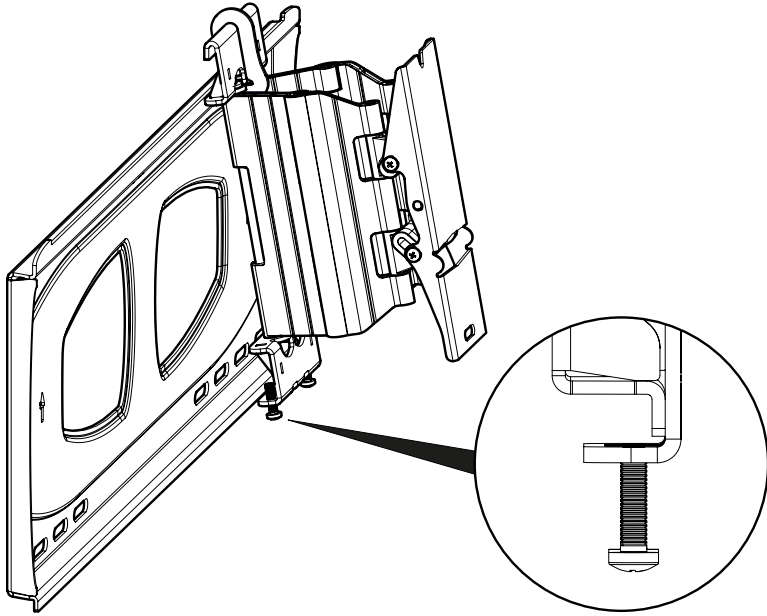


**K** x3

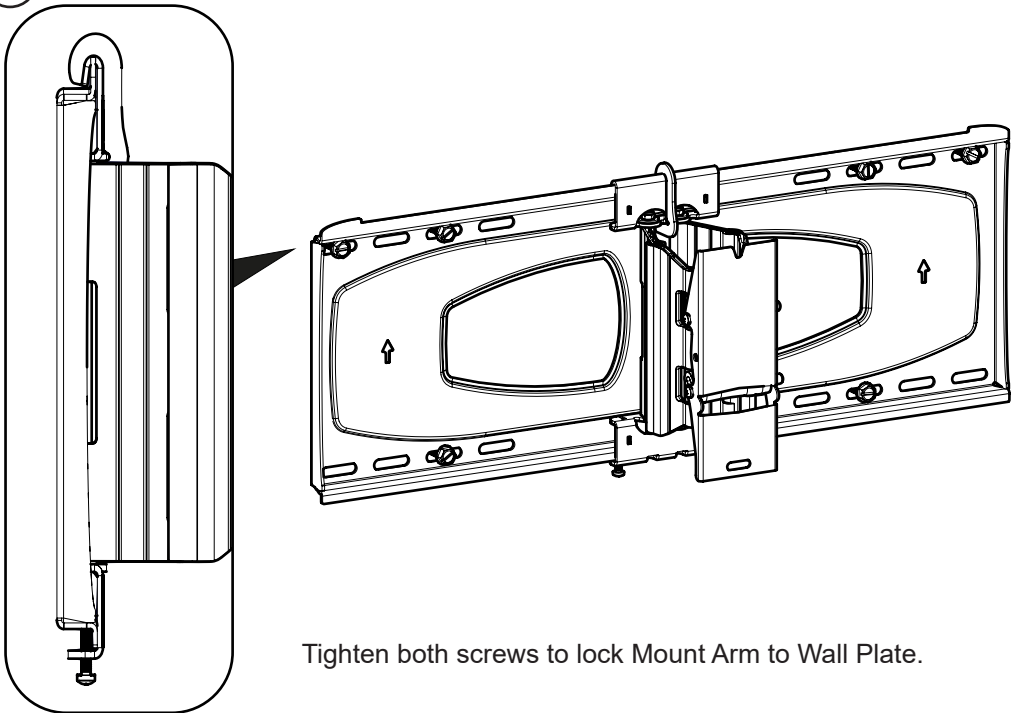


## 7 Hanging the Mount Arm - Double Stud Wall Plate

i

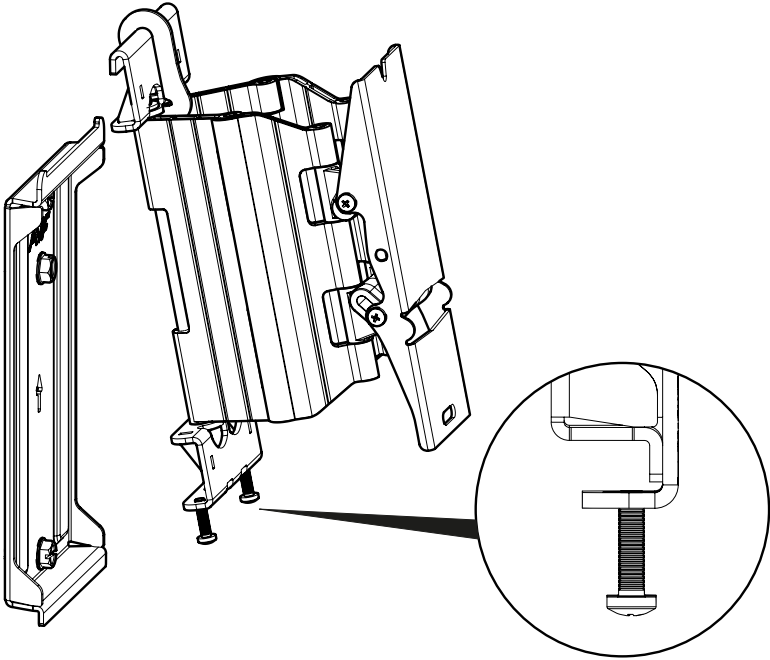


ii

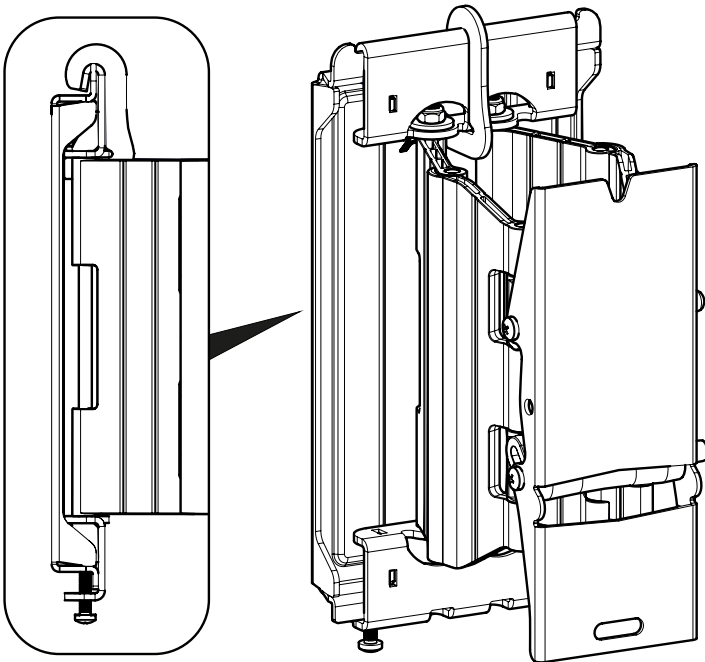


Tighten both screws to lock Mount Arm to Wall Plate.

i

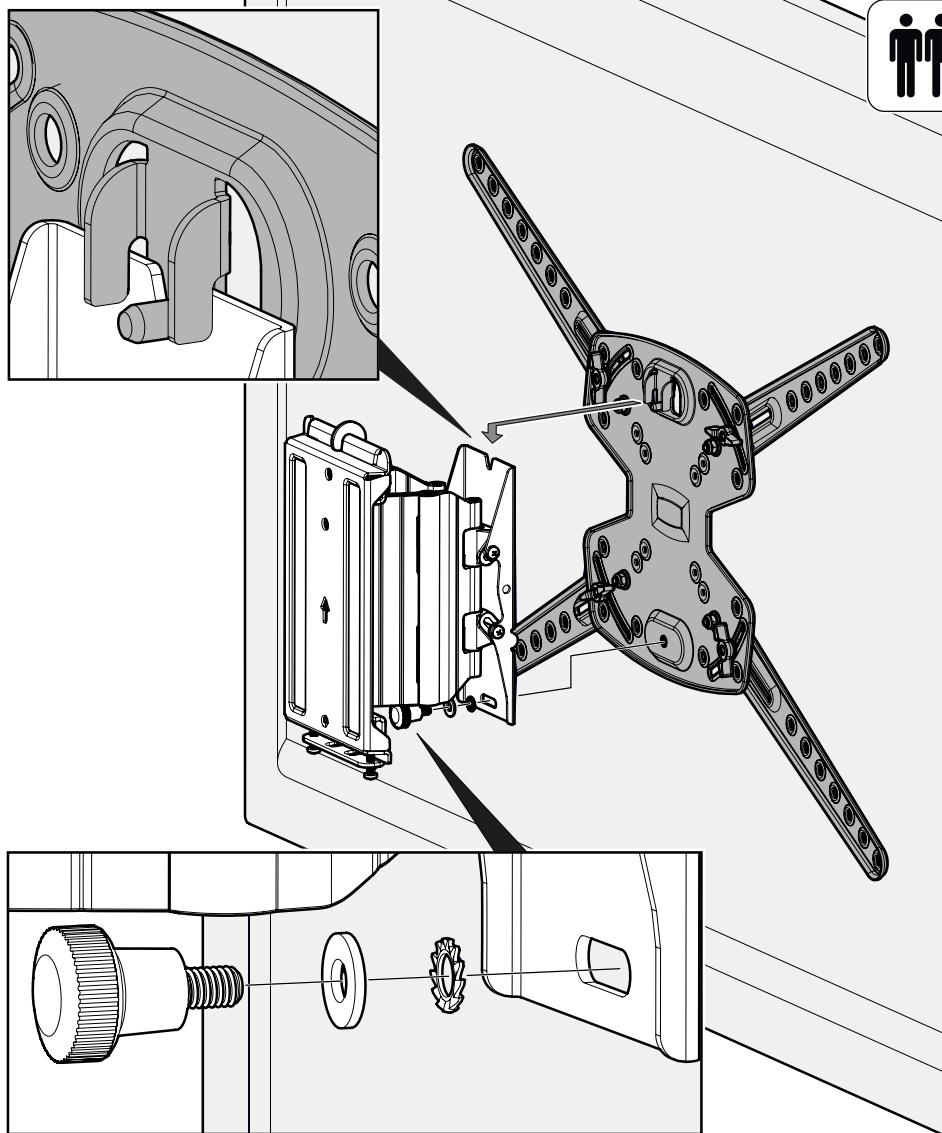


ii



Tighten both screws to lock Mount Arm to Wall Plate.

## 9 Connecting the TV



Reuse screw and washers saved in step 2. Make sure you fit the washers in the correct order.



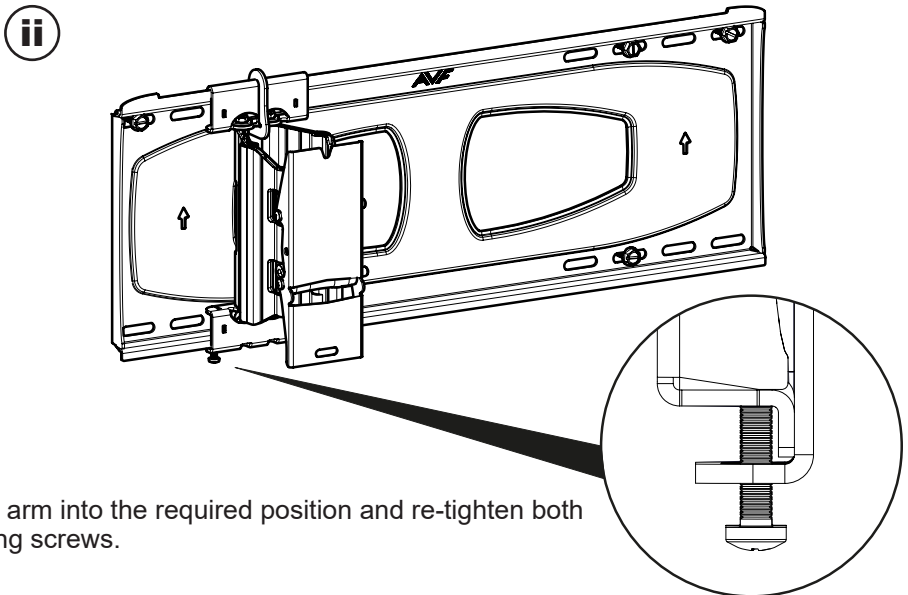
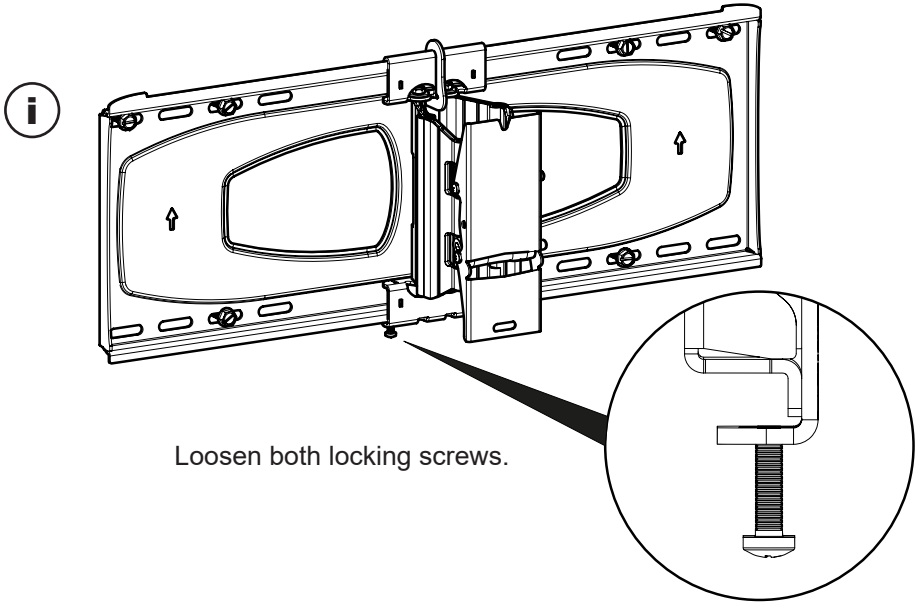
When the TV is level, ensure the knob is fully tightened.



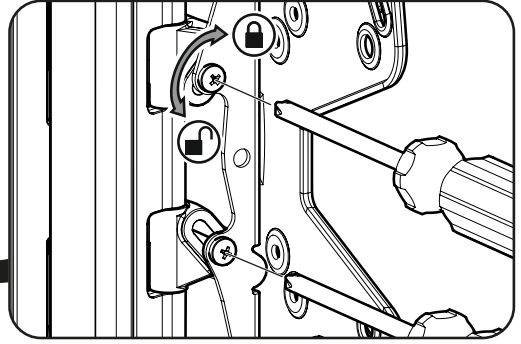
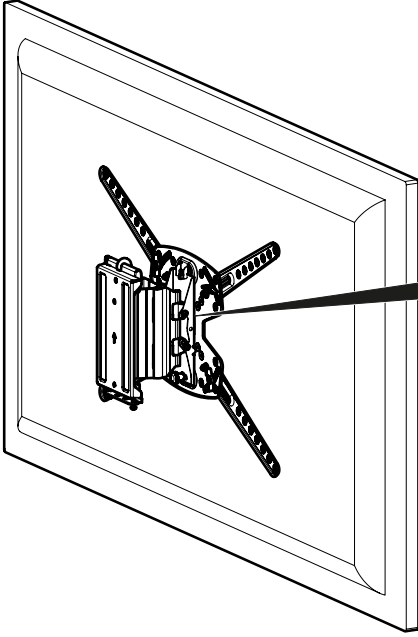
To remove the TV, reverse this procedure.

## 10 Lateral Shift (Optional)

The position you have chosen for your TV might not be central between the wood studs, or you may have to avoid services in the wall. In this case you can laterally shift the arms of the mount so the TV is exactly where you want it.

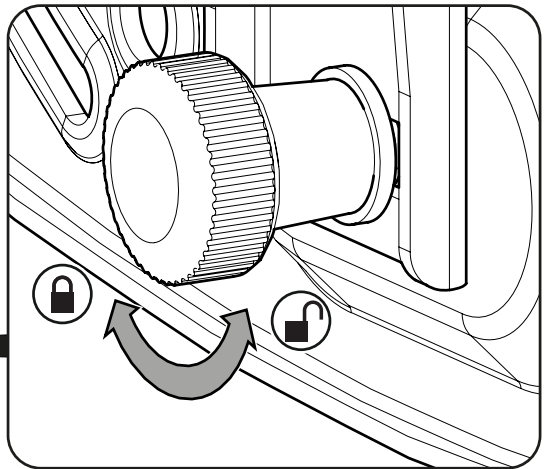
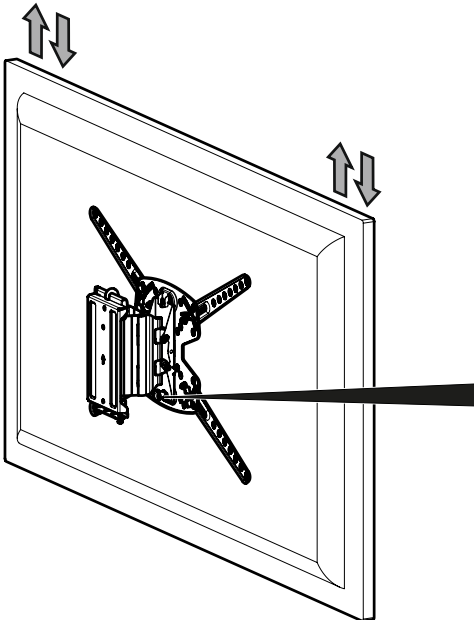


## 11 Adjust or Lock Tilt (optional)



Adjust screws to achieve perfect tilt resistance if required. You must adjust both screws equally. You can also lock the tilt if required.

## 12 TV Levelling (optional)



Loosen the Level Lock Screw, adjust your TV until it is level, then re-tighten the screw.