

Read through ALL instructions before commencing installation.

Please don't return me to the store

If you are unsure or need advice
please contact our support team:

0333 320 0463 or avfgroup.com

Phone lines open Mon-Fri during AVF office hours



IMPORTANT INFORMATION!

We advise that before starting the assembly of this product that you familiarise yourself with the instructions and the parts list in this leaflet.

Do not's

Do not over tighten any part of this assembly.

Do not place hot or cold objects on to or next to any glass surface unless the object is sufficiently insulated to prevent contact.

Do not strike the glass with hard or pointed items.

Do not use the product if the glass is chipped or damaged.

Do not sit or stand upon horizontal glass surfaces.

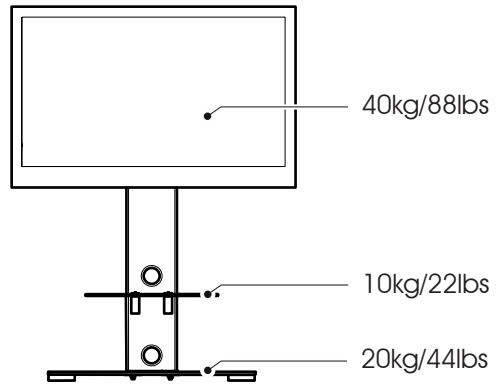
Do not use washing powders or other substances containing abrasives when cleaning the glass.

Do's

Do use a damp cloth with diluted washing up liquid for cleaning the glass surfaces.

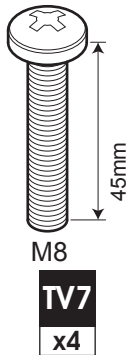
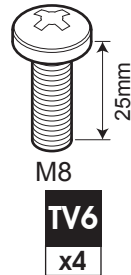
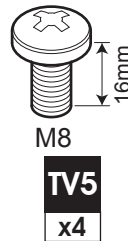
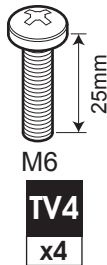
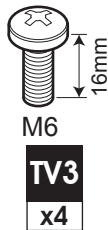
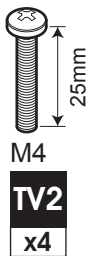
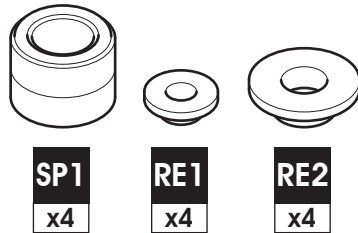
Check all nuts and bolts from time to time.

Maximum TV weight and shelf capacities

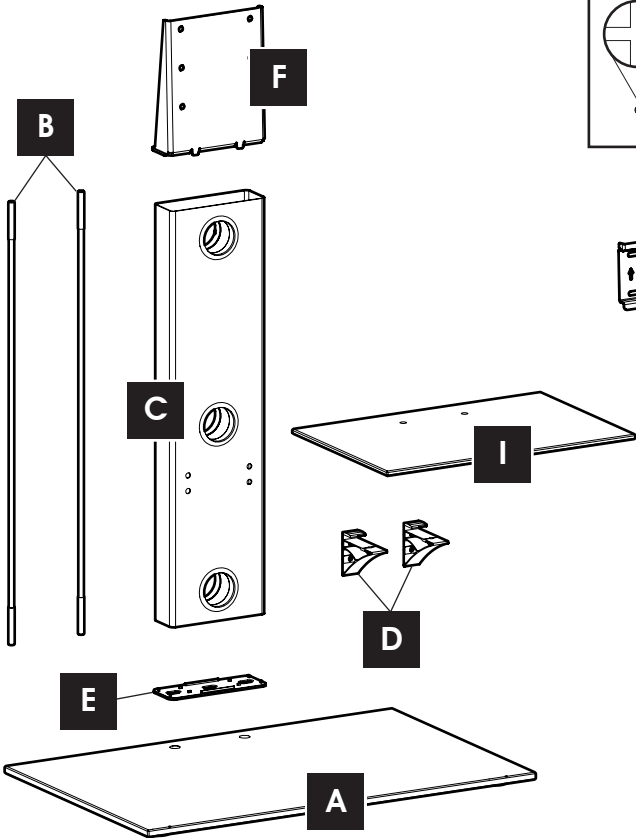


WARNING: Wherever possible distribute weight evenly.

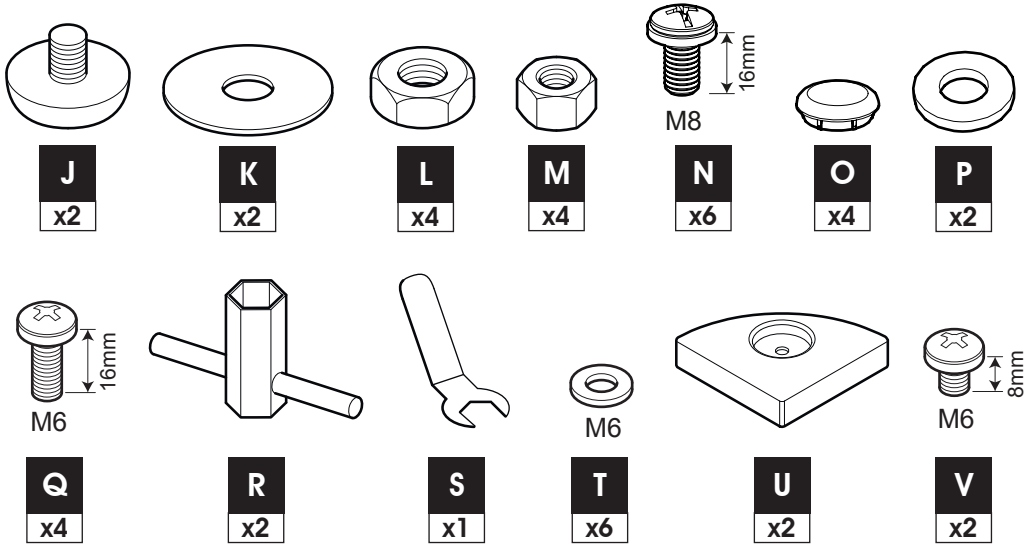
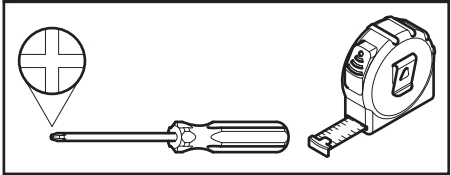
TV Screws, Reducers and Spacers

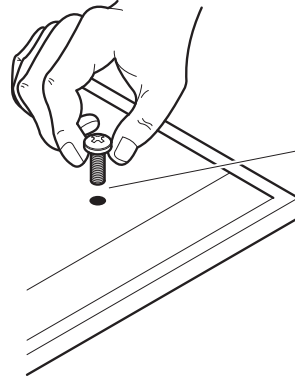
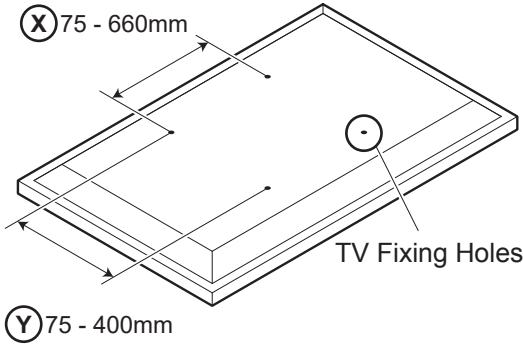


Boxed Parts



Tools Recommended



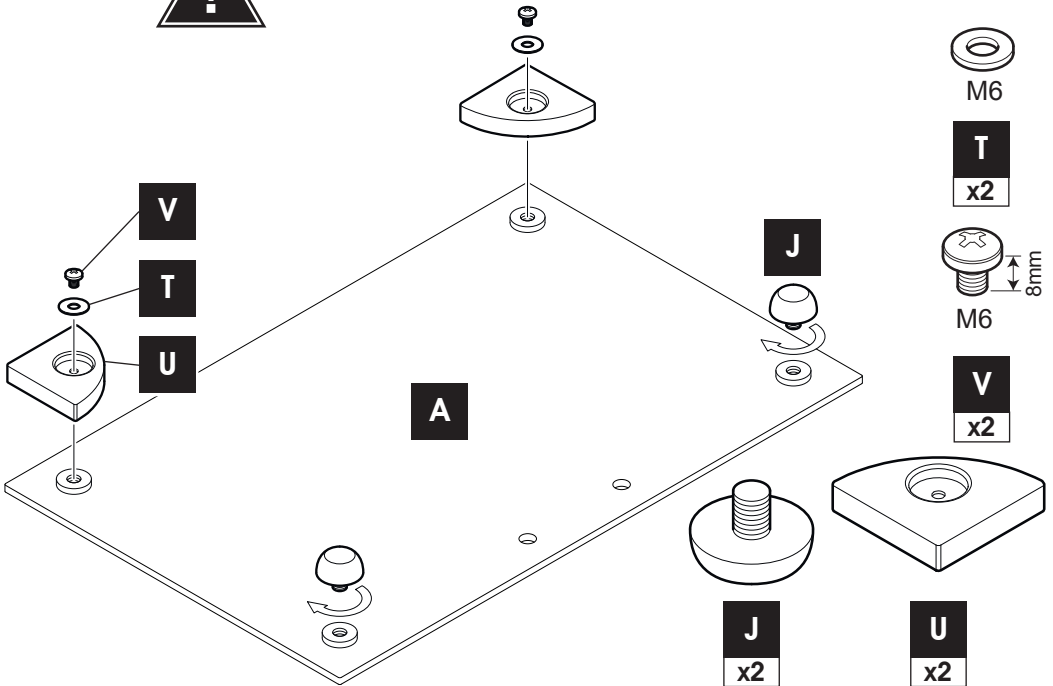
1**Measure the TV fixing holes Width and Height****M4 = TV1-2****M6 = TV3-4****M8 = TV5-7**

If width ⓧ is greater than 660 mm or height Ⓨ greater than 400 mm **STOP** installation now and contact the customer help line.

You are provided with 3 diameters of TV fixing screws, **M4**, **M6** and **M8**. Determine the screw diameter that fits and remember for step 9.

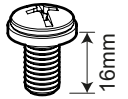
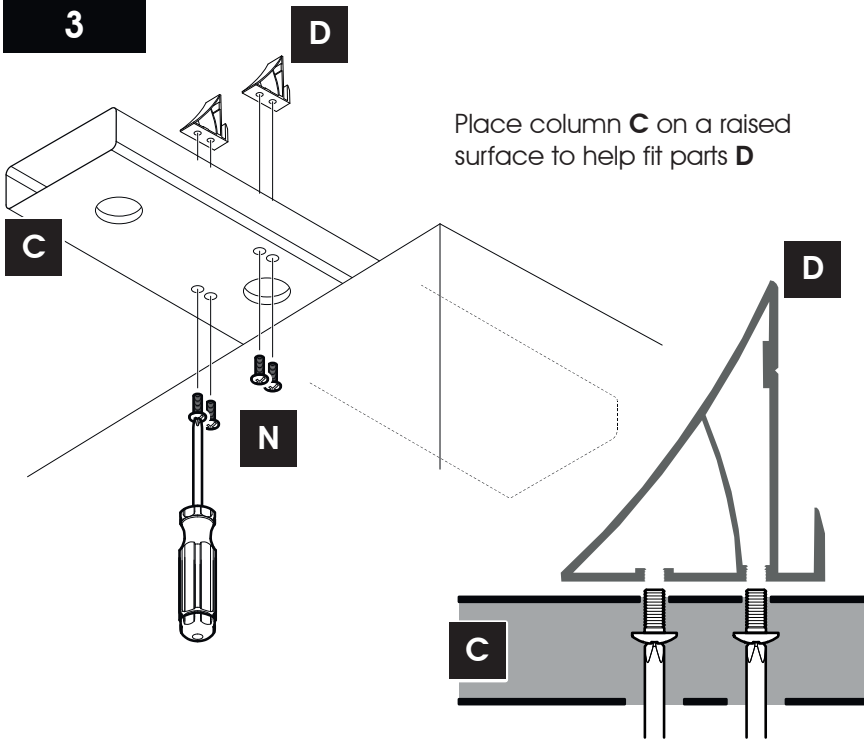
2

Put a piece of material underneath the glass to prevent damage



3

D

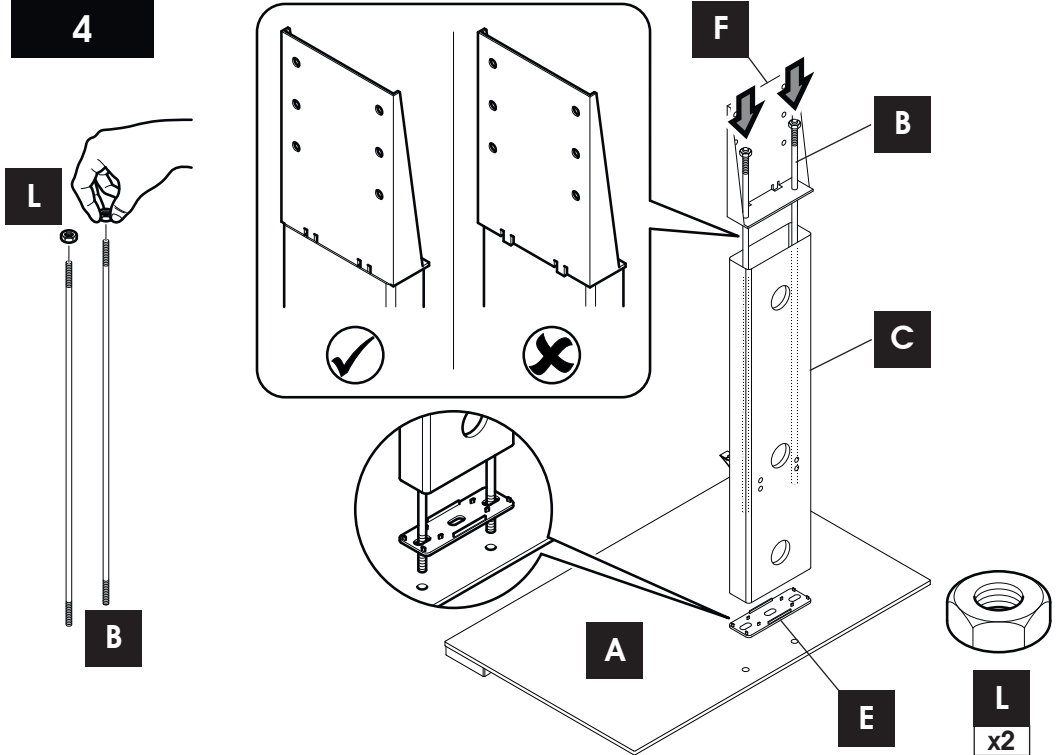


M8

N

x4

4



L

B

F

B

C

A

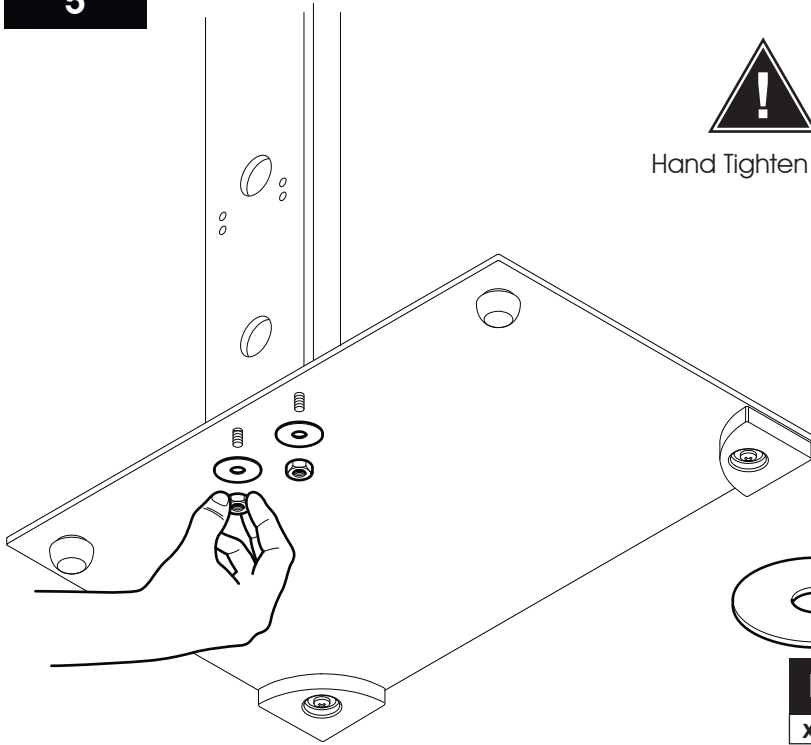
E

L

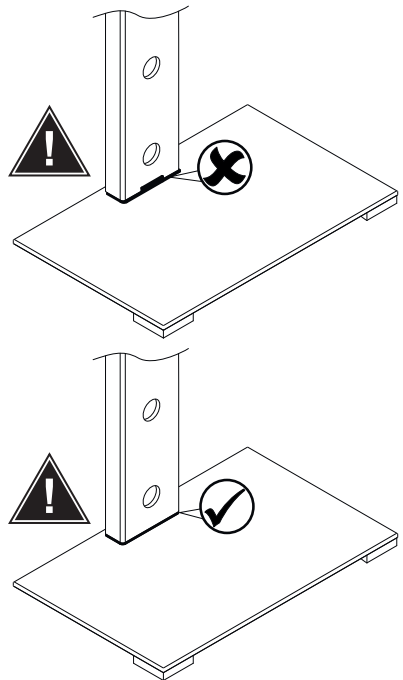
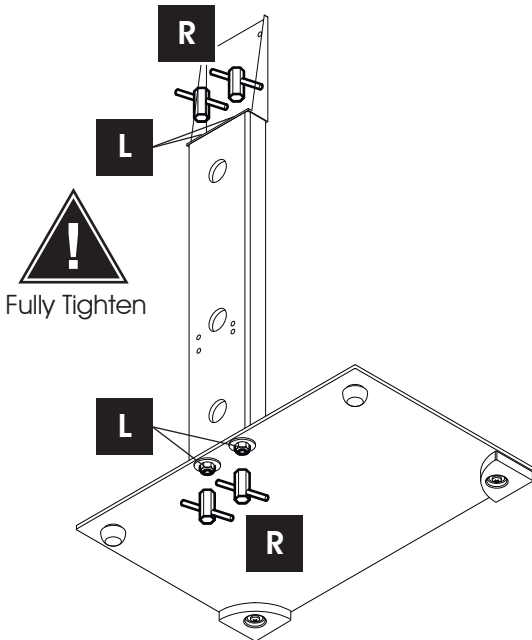
x2



5

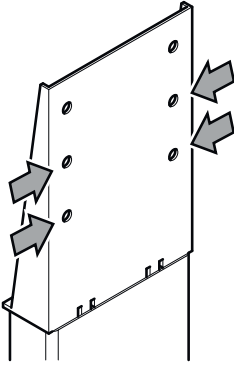


6

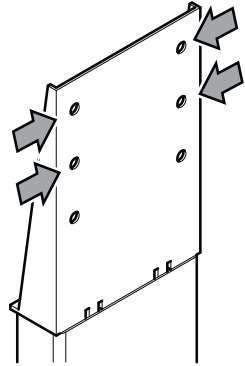




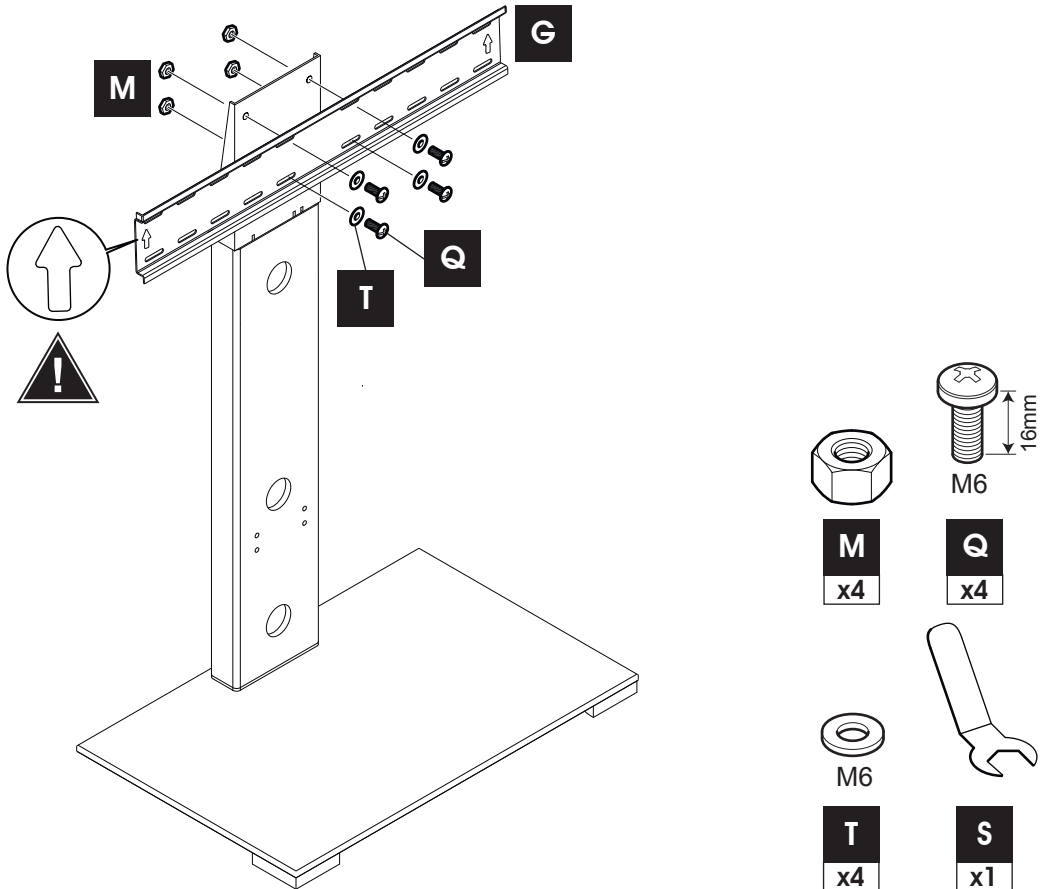
Please consider the size of your TV before fixing plate G. See Below for guide.

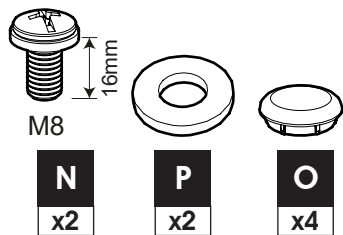
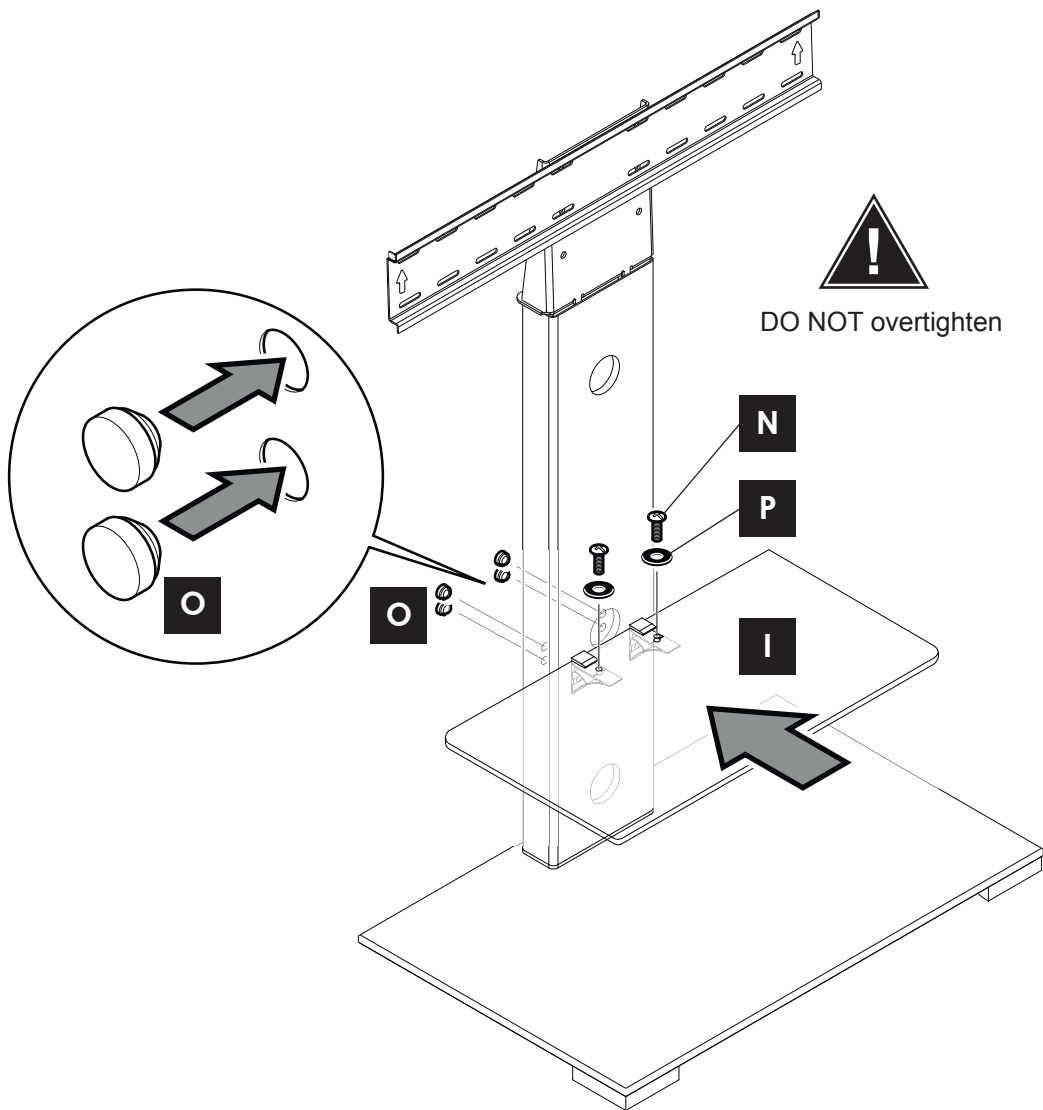


Recommended for Medium to Large TV.



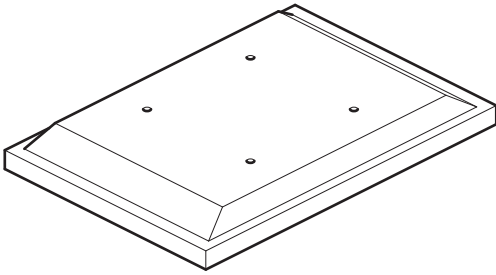
Recommended for Large to Extra Large TV.



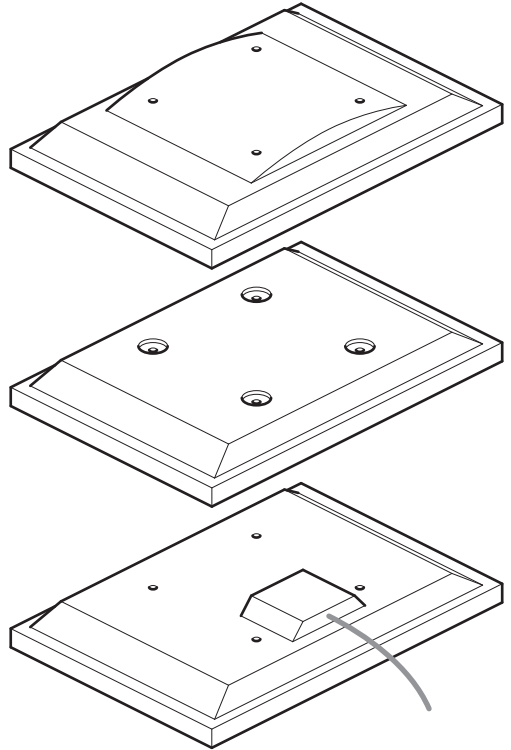
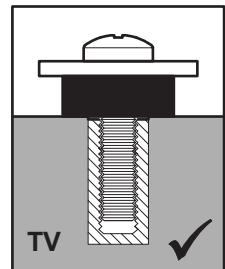
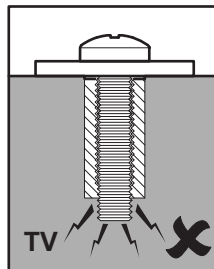
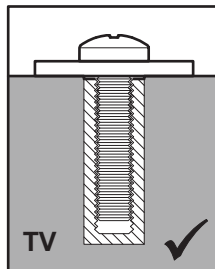
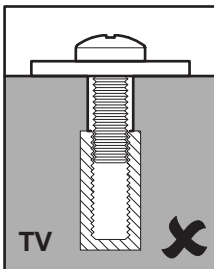


No Spacers

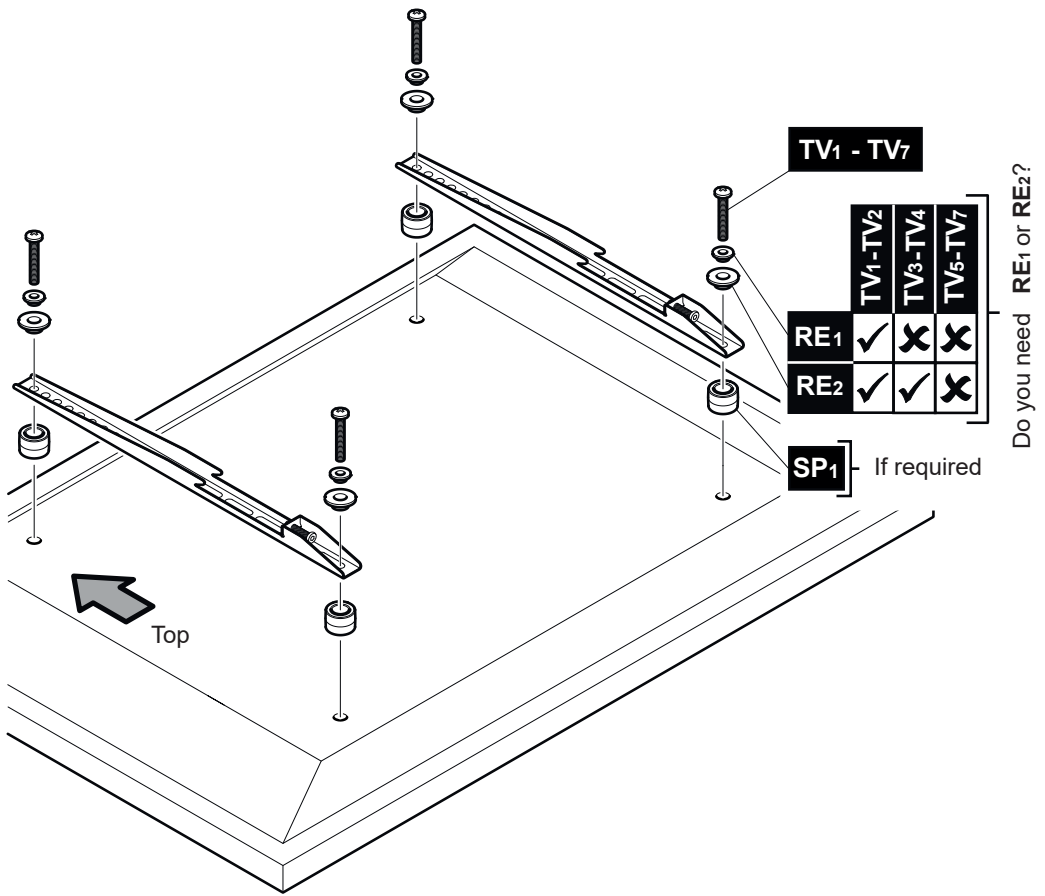
For TVs with flat / unobstructed back.

**Spacers****SP1**

For TVs with irregular / obstructed back.

**WARNING**

After completing step 9 you will have fixings left over, please keep for future reference.



Attach the bracket to the back of your TV using suitable screw, reducer and spacer combinations.

