

Care Instructions:

This product uses wood veneer. Slight colour change over time due to exposure to natural light is to be expected.

Avoid direct sunlight as this can produce colour changes in the areas affected.

Colour and pattern variation is to be expected with this material and does not constitute a product defect.

Clean all surfaces using a soft damp cloth. A suitable furniture polish can be used if required.

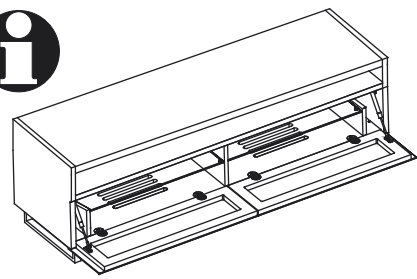
Do not use abrasive cleaners.

Do not place hot or cold items in direct contact with any part of this product.

Take care not to overtighten any part of this assembly.

CUSTOMER SERVICES HELP LINE NUMBER:

+44 (0) 333 320 0463 (UK)
1-800 667 0808 (USA)



PANORAMA PM160+



Take care not to overload the stand.
MAX 50Kg top, 40Kg shelf, 20Kg inner shelves (each), 30Kg lower surfaces.

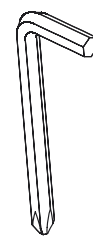


Build the stand on a soft surface to prevent risk of scratching.



Take extra care not to over tighten any screws as this may cause damage!

Tools

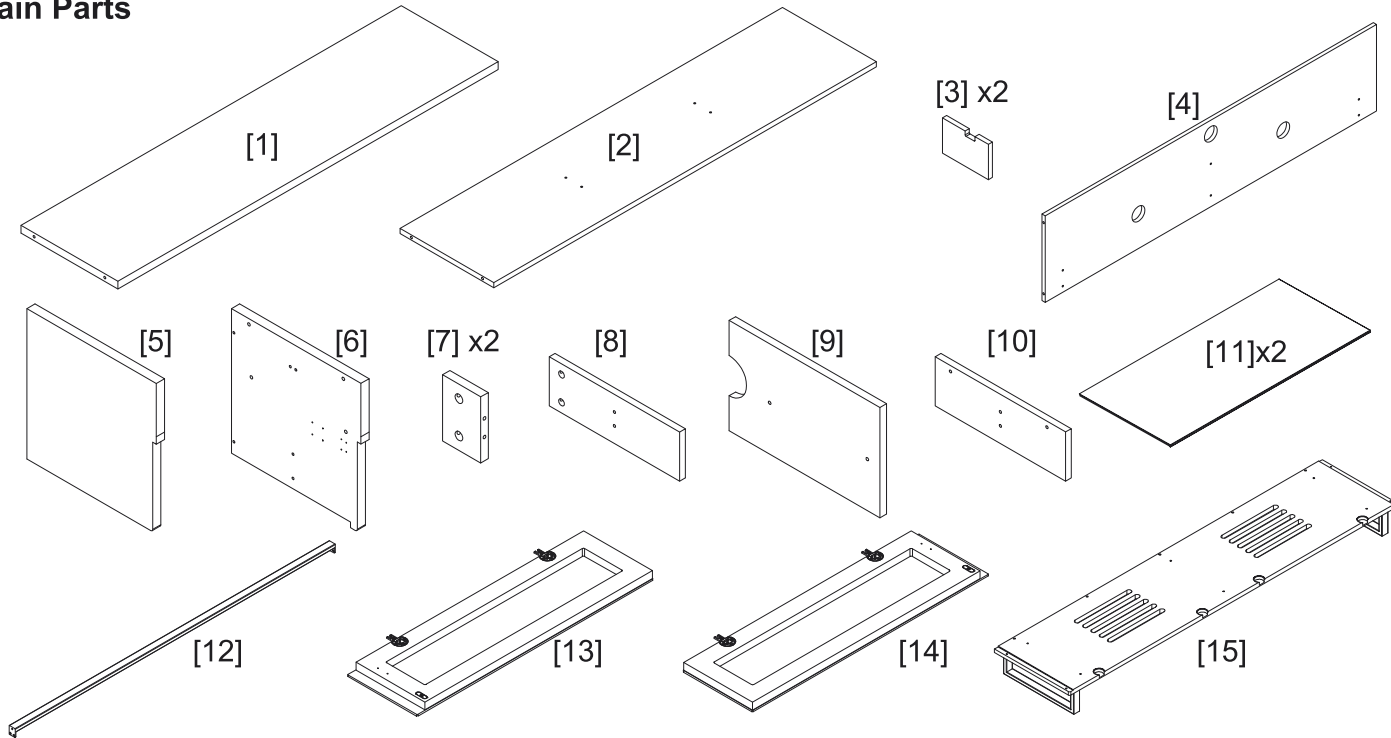


[N] x 1

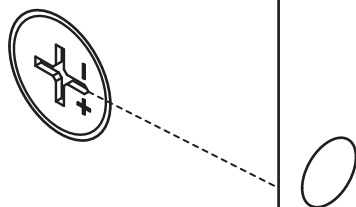
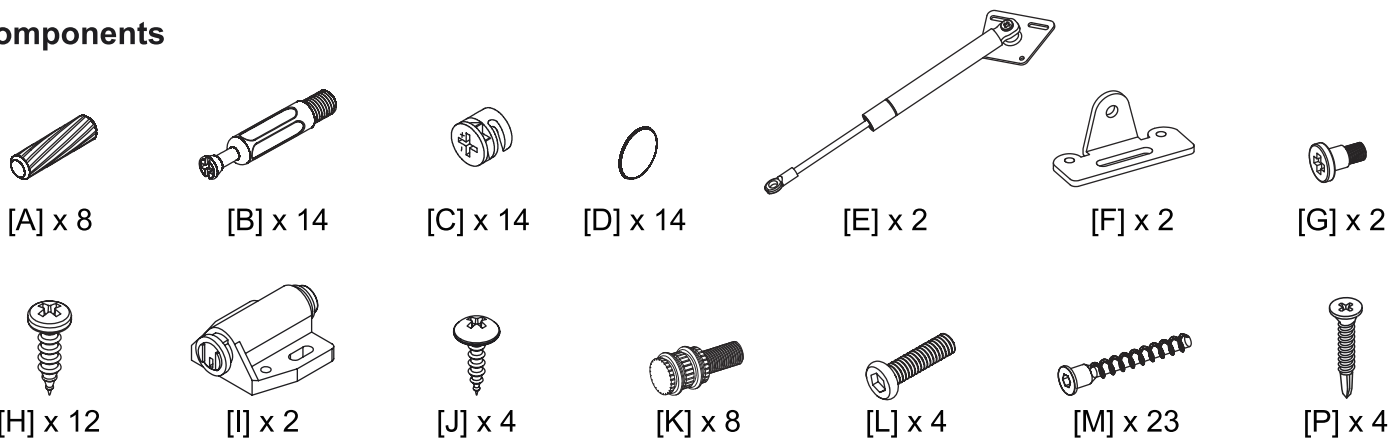


[O] x 1

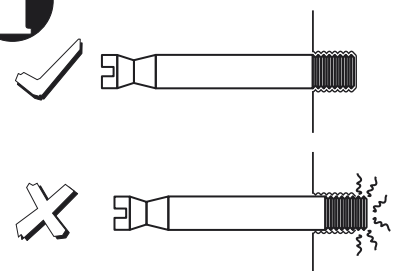
Main Parts



Components



Make sure the arrows on all part C are aiming towards the panel edge when inserted.

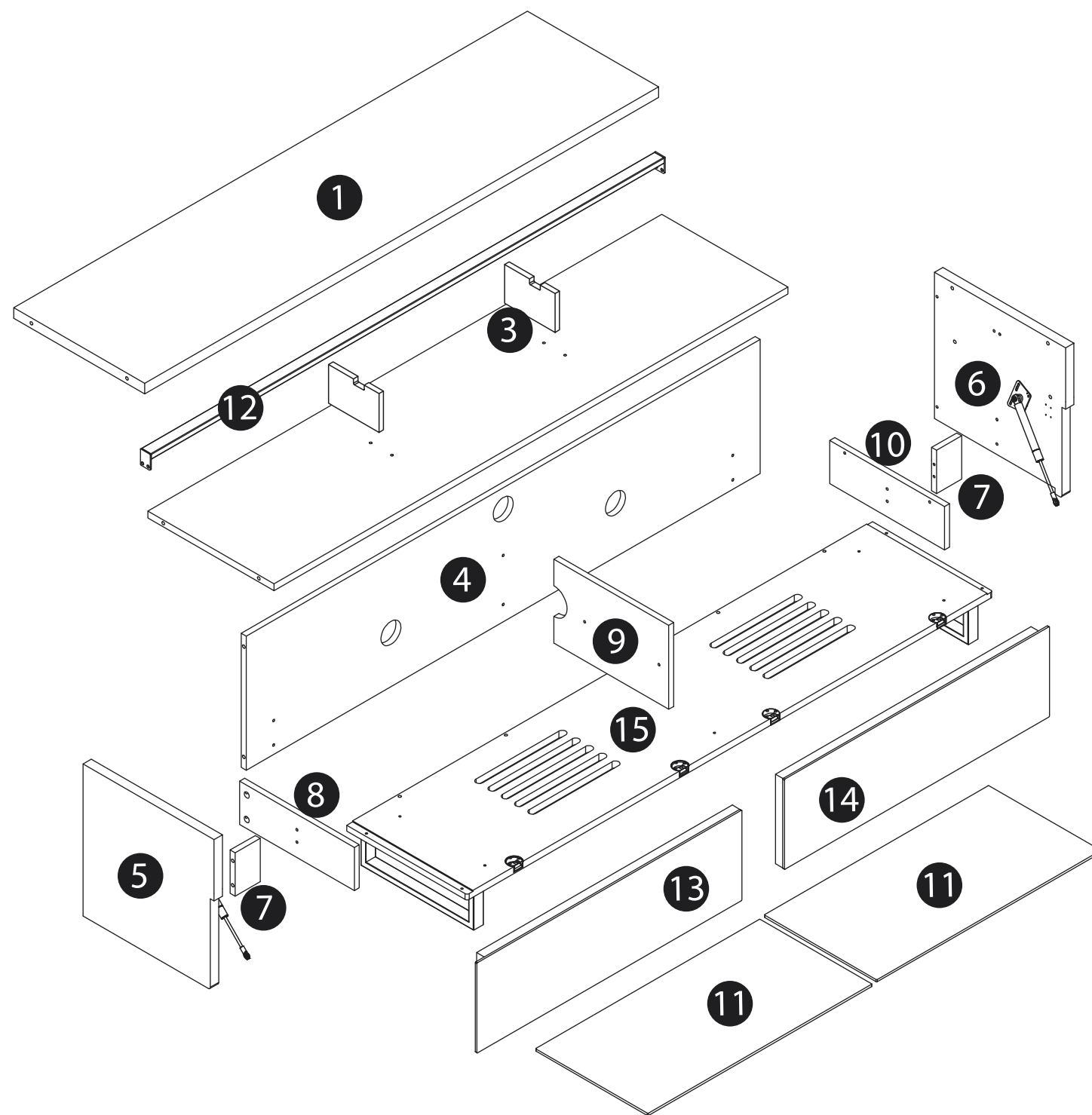
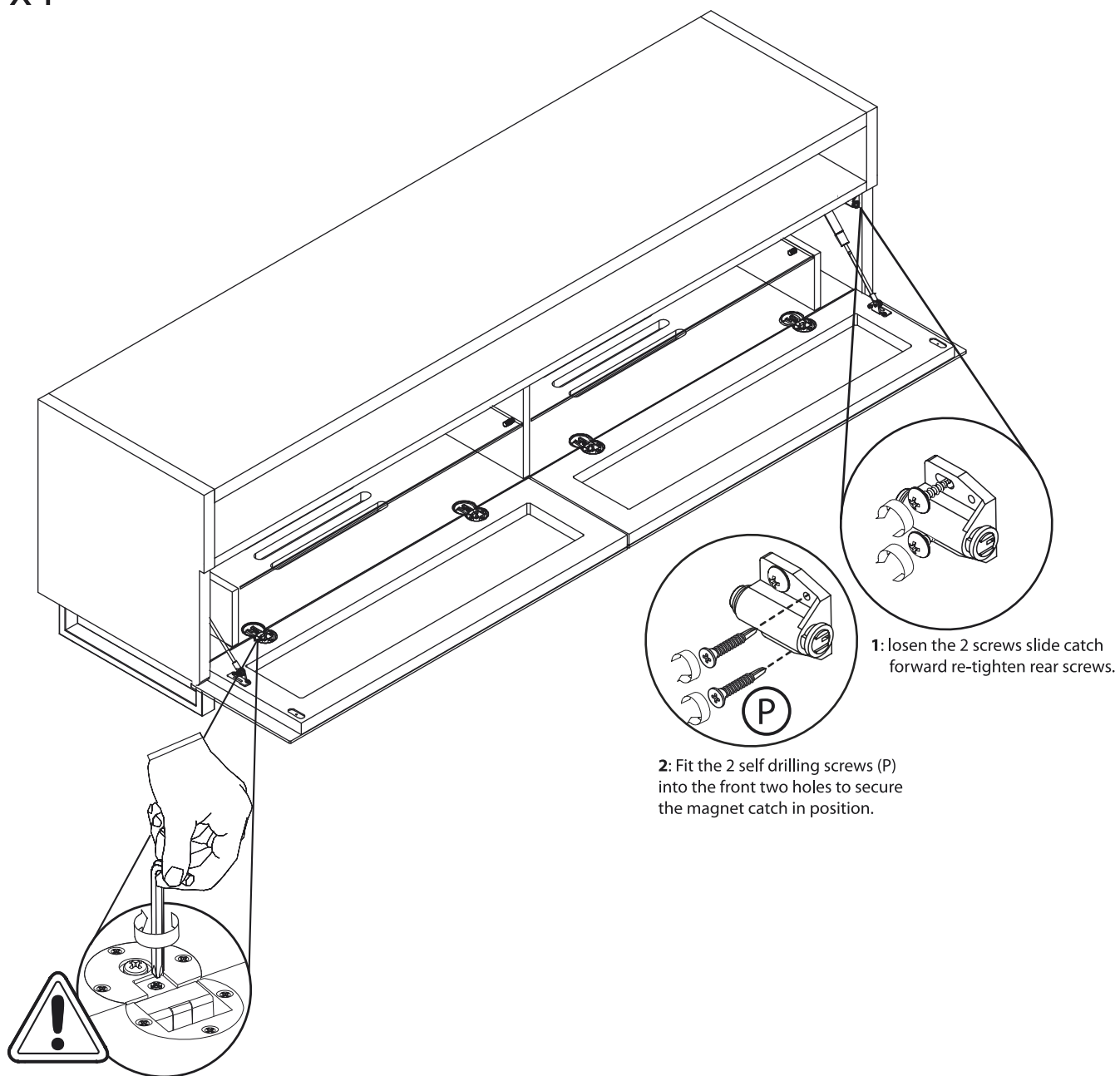


Make sure not to over tighten any part B as this could cause damage or error in alignment of panels.




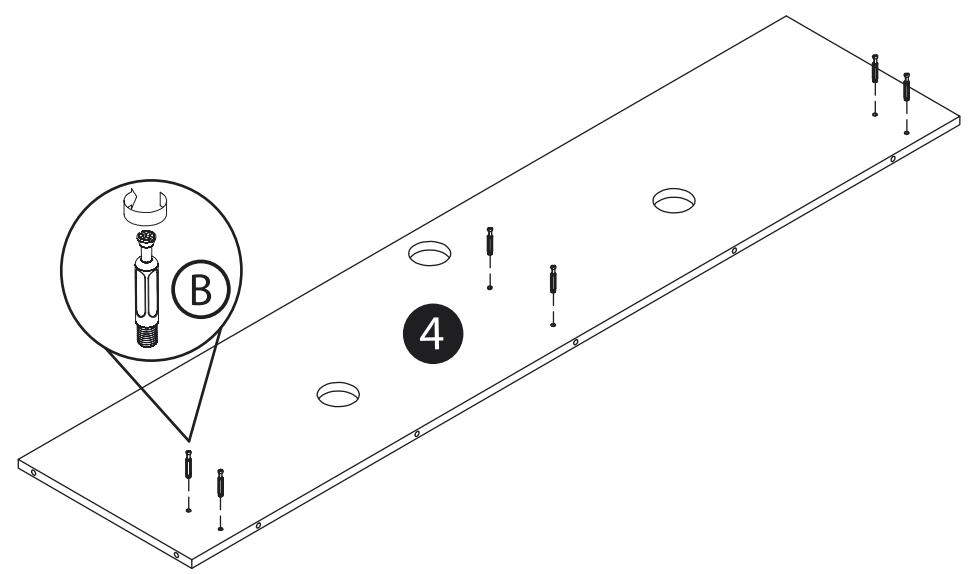
Some construction steps may be easier with proper tools.

(P) x4



1

(B)  x6

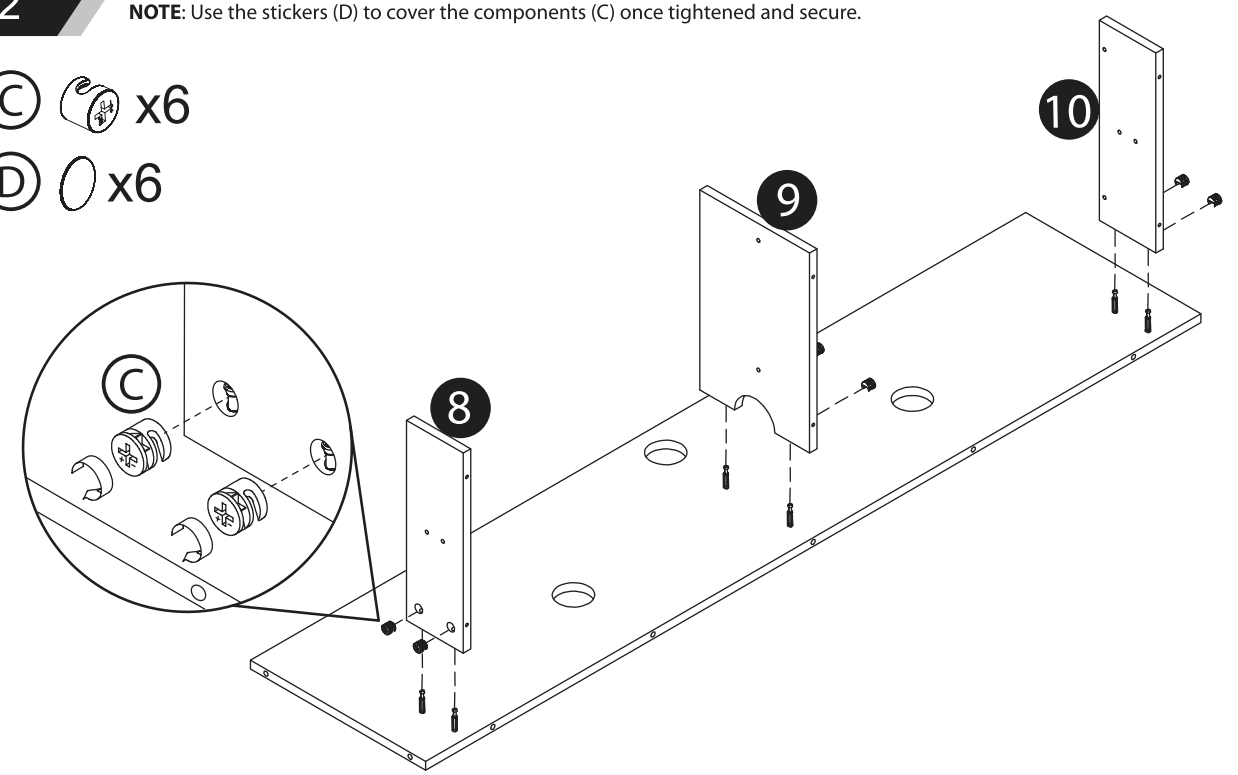


2


NOTE: Use the stickers (D) to cover the components (C) once tightened and secure.

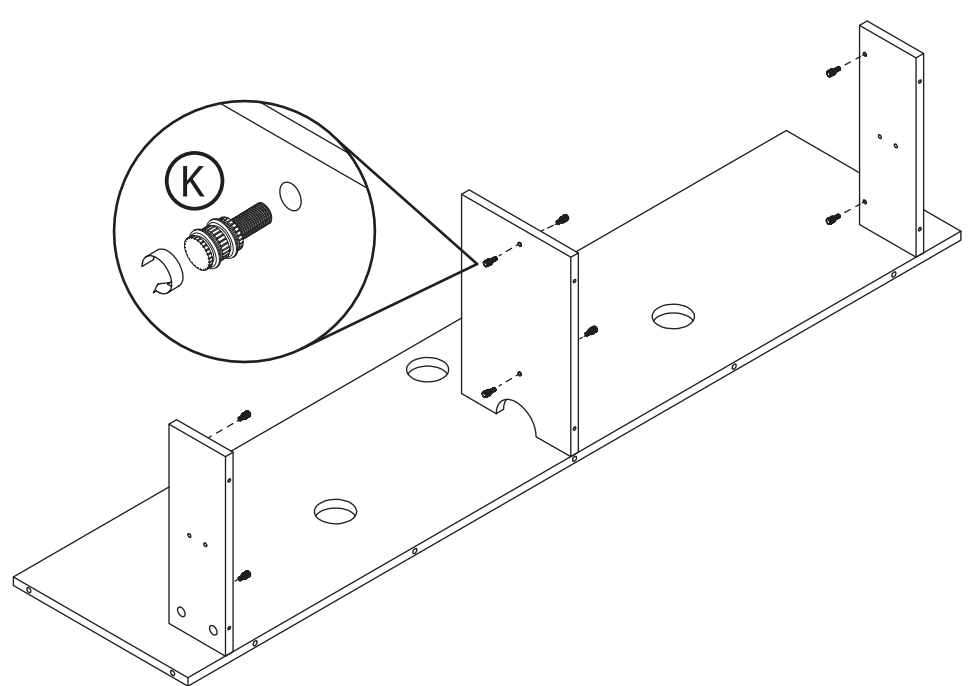
(C)  x6

(D)  x6




3

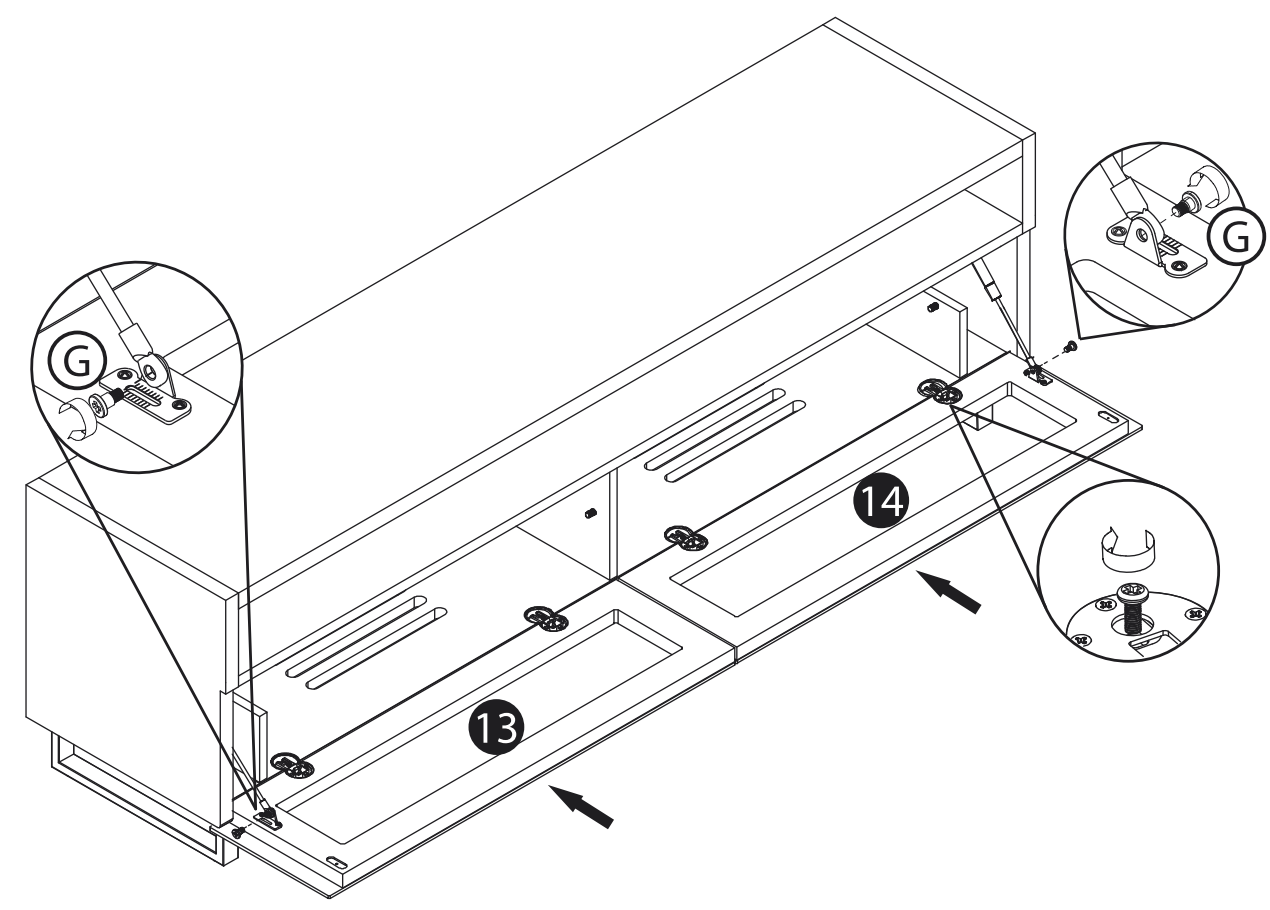
(K)  x8



15

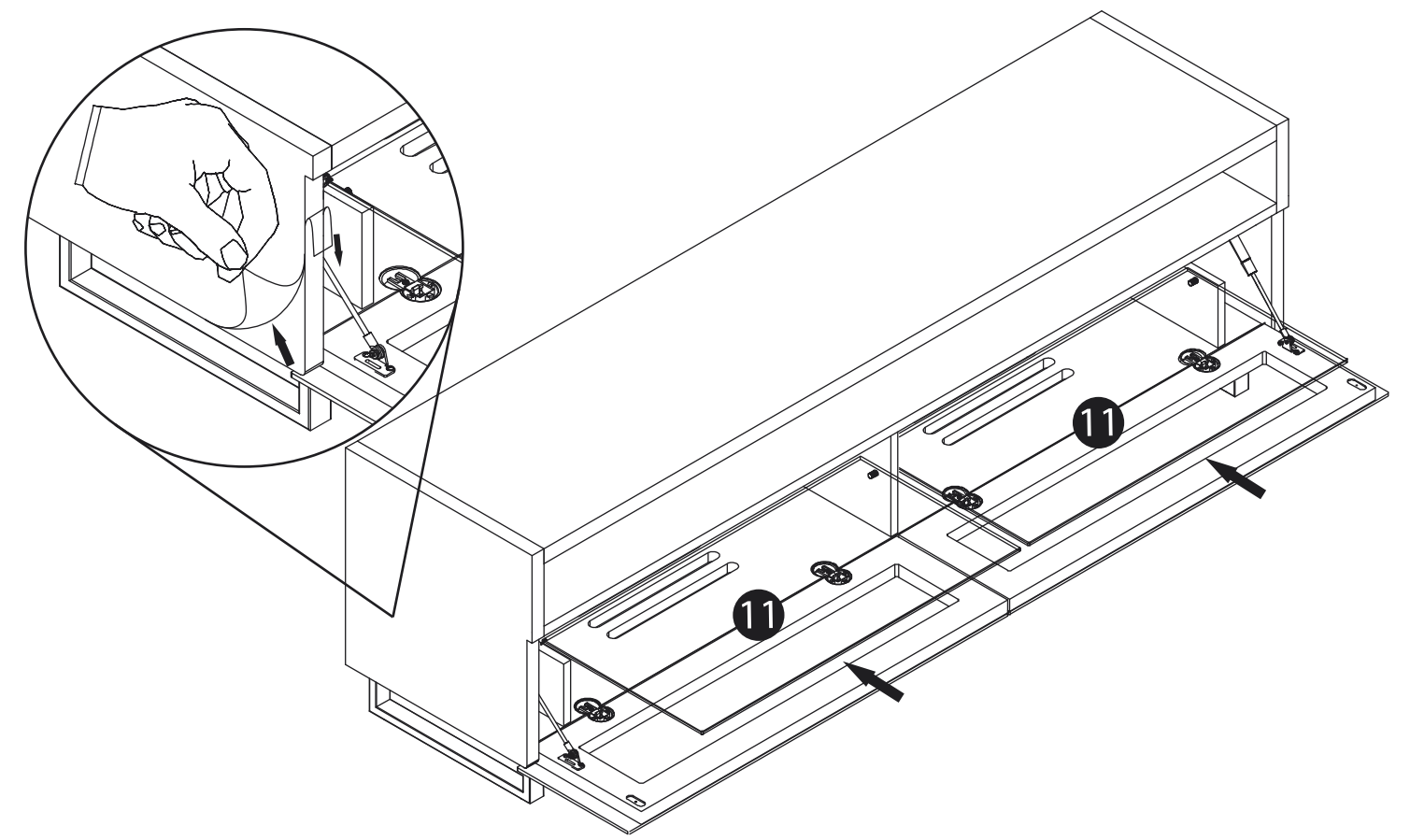
NOTE: When fitting the doors loosen the pre-installed hinge screw on the main unit and slide the door into position, once in tighten the screw to secure the door in place.

(G)  x2



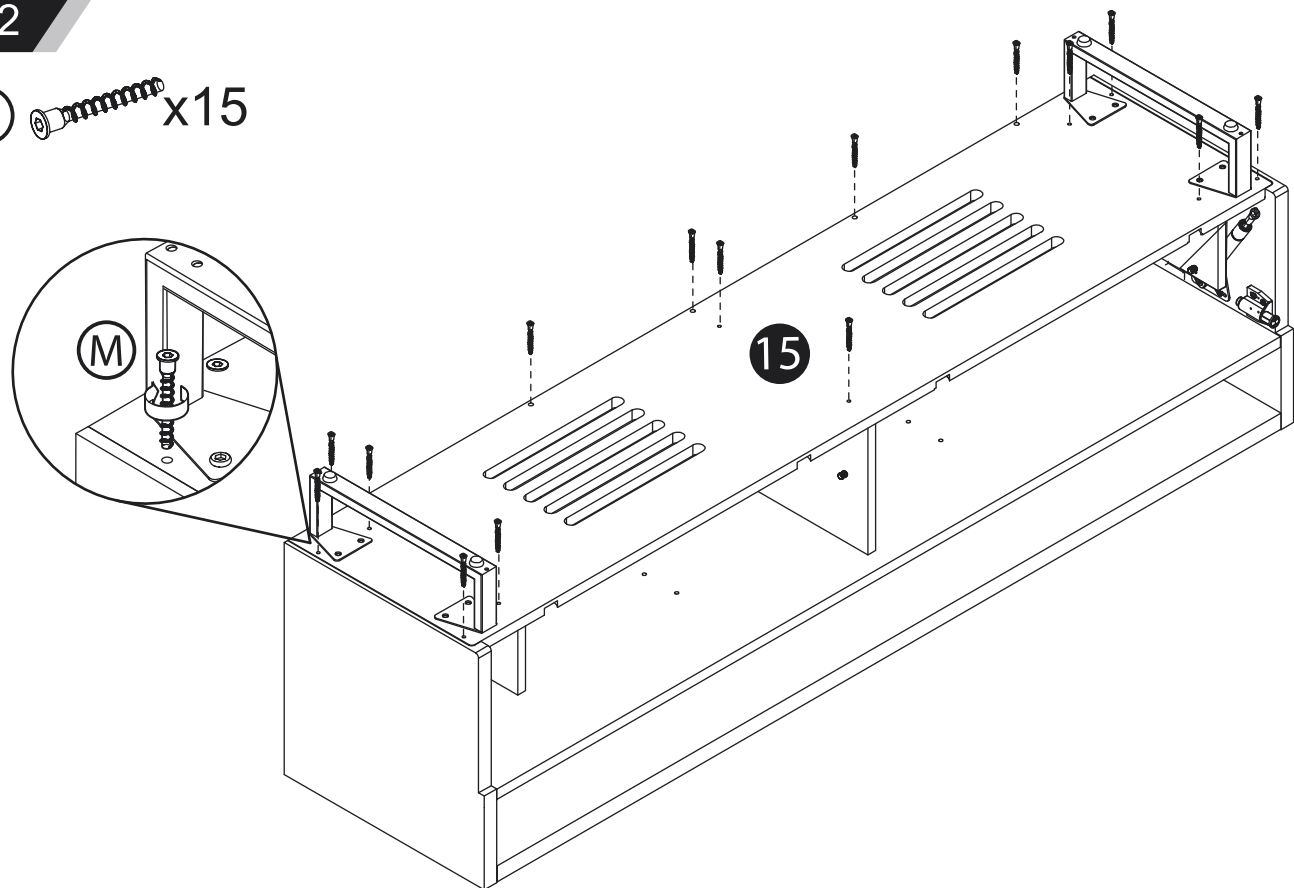
16

NOTE: Remove protective film from the side panels to show the high gloss finish.




12

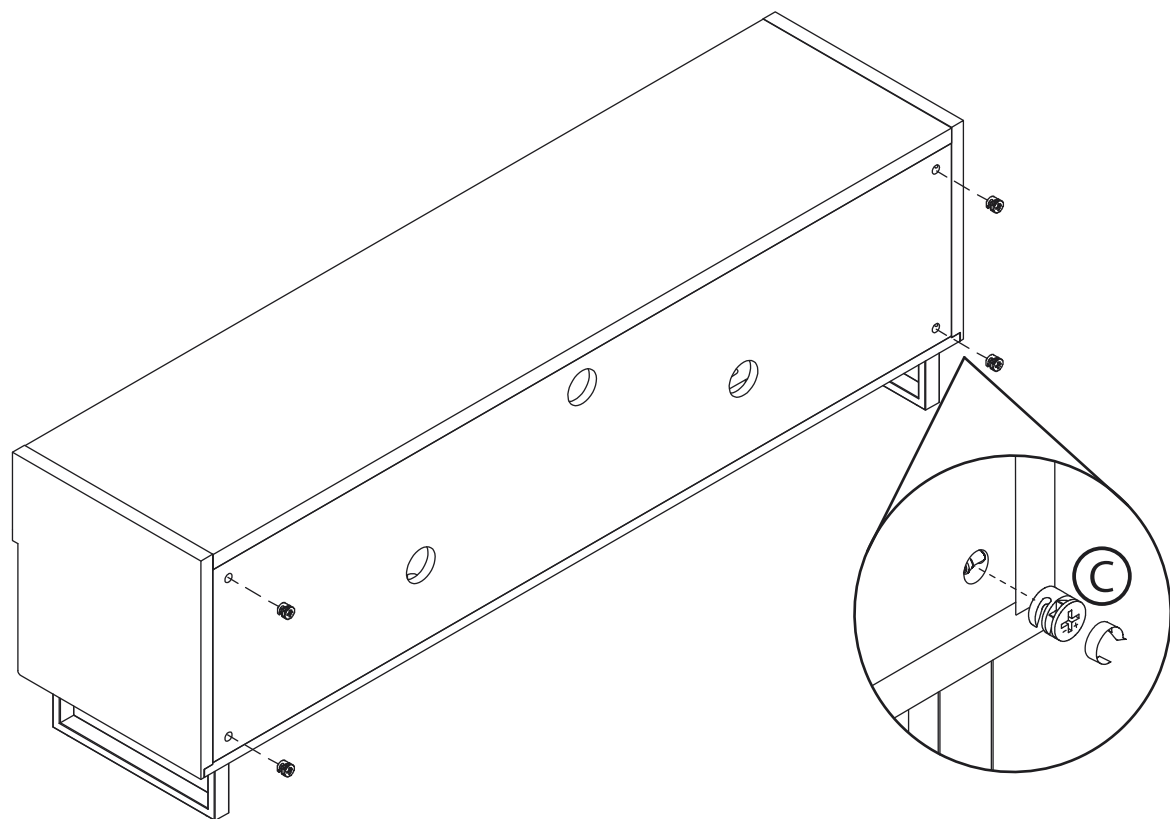
(M)  x15



13

(C)  x4

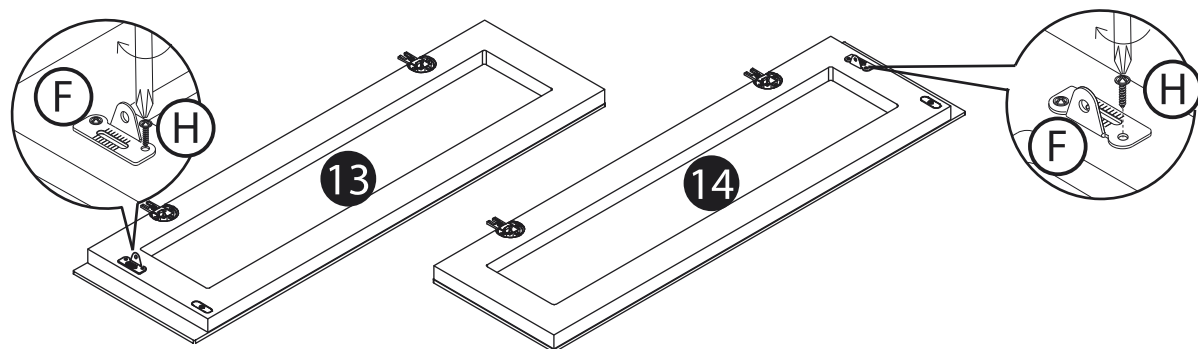
(D)  x4



14


(F)  x2


(H)  x4

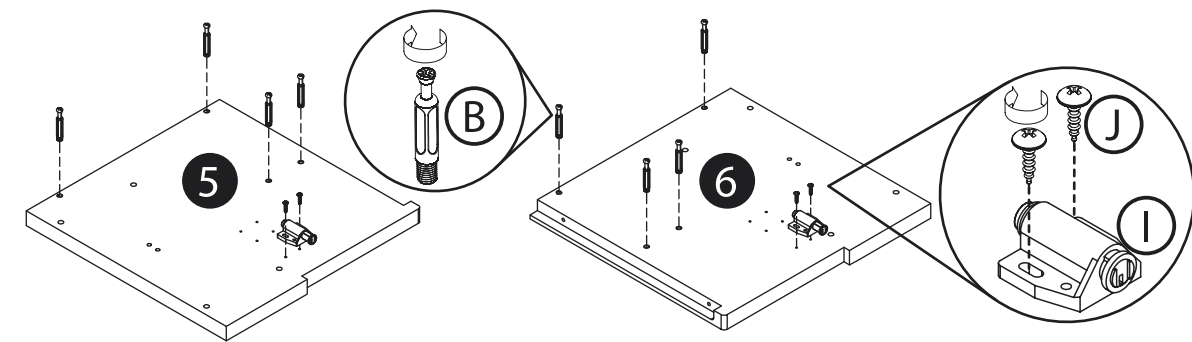


4


(B)  x8

(J)  x4

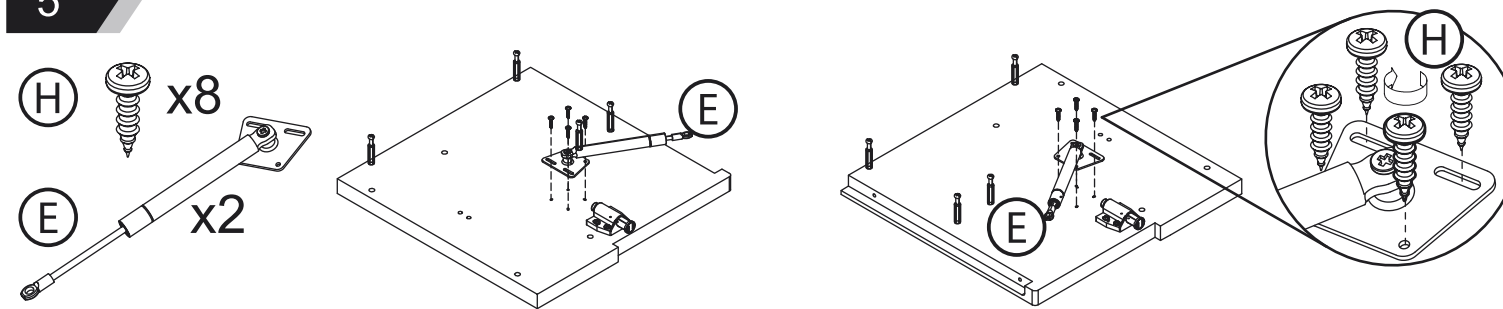
(I)  x2



5

(H)  x8

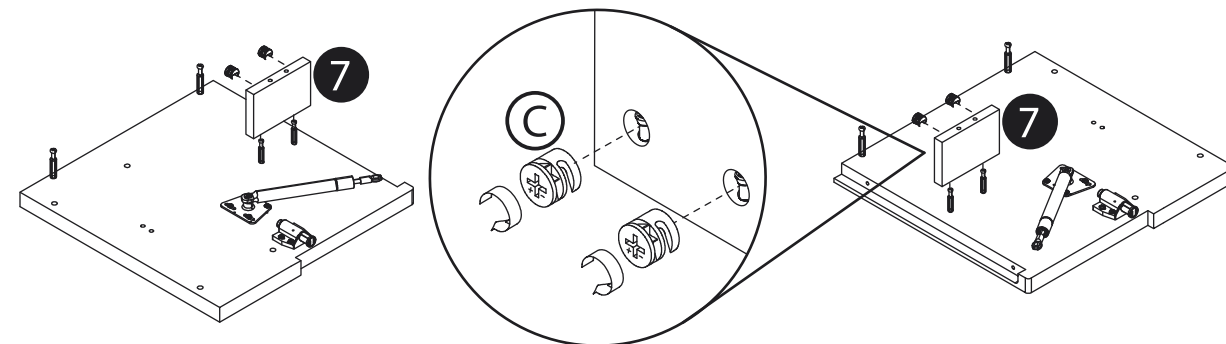
(E)  x2



6

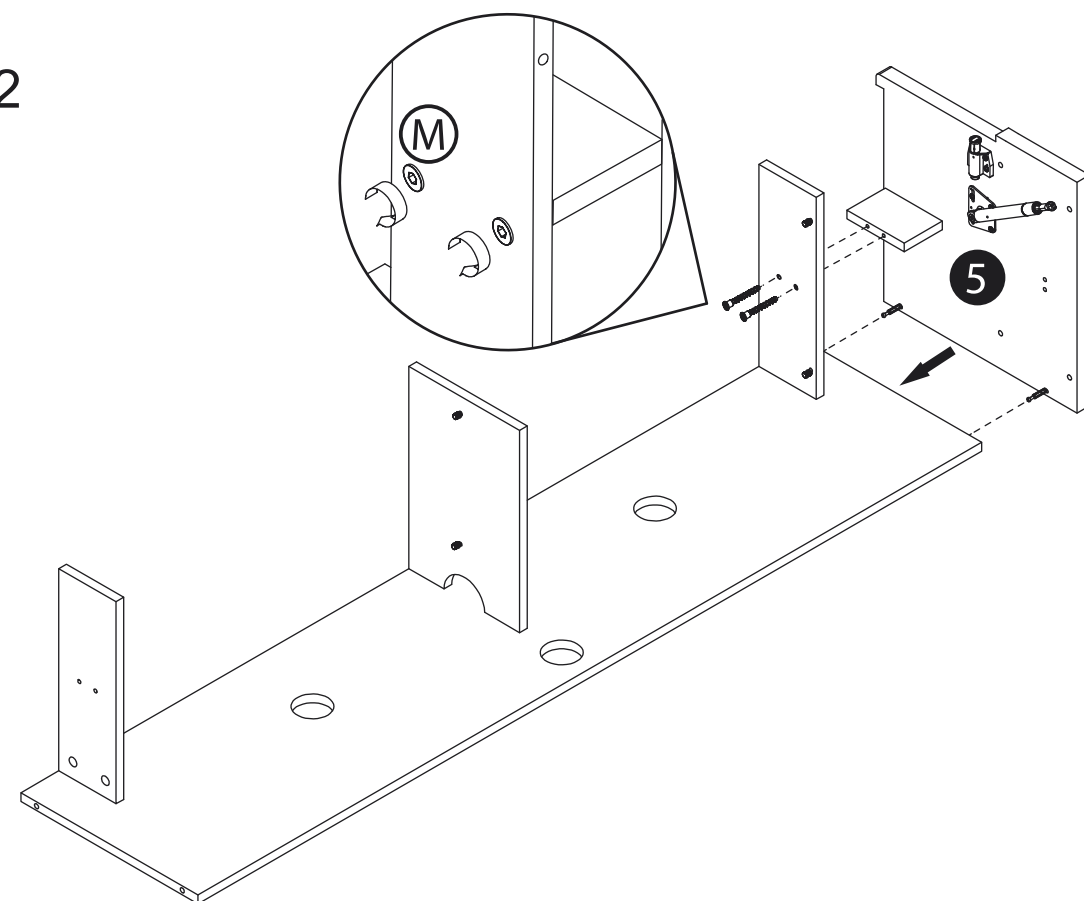
(C)  x4

(D)  x4



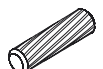
7

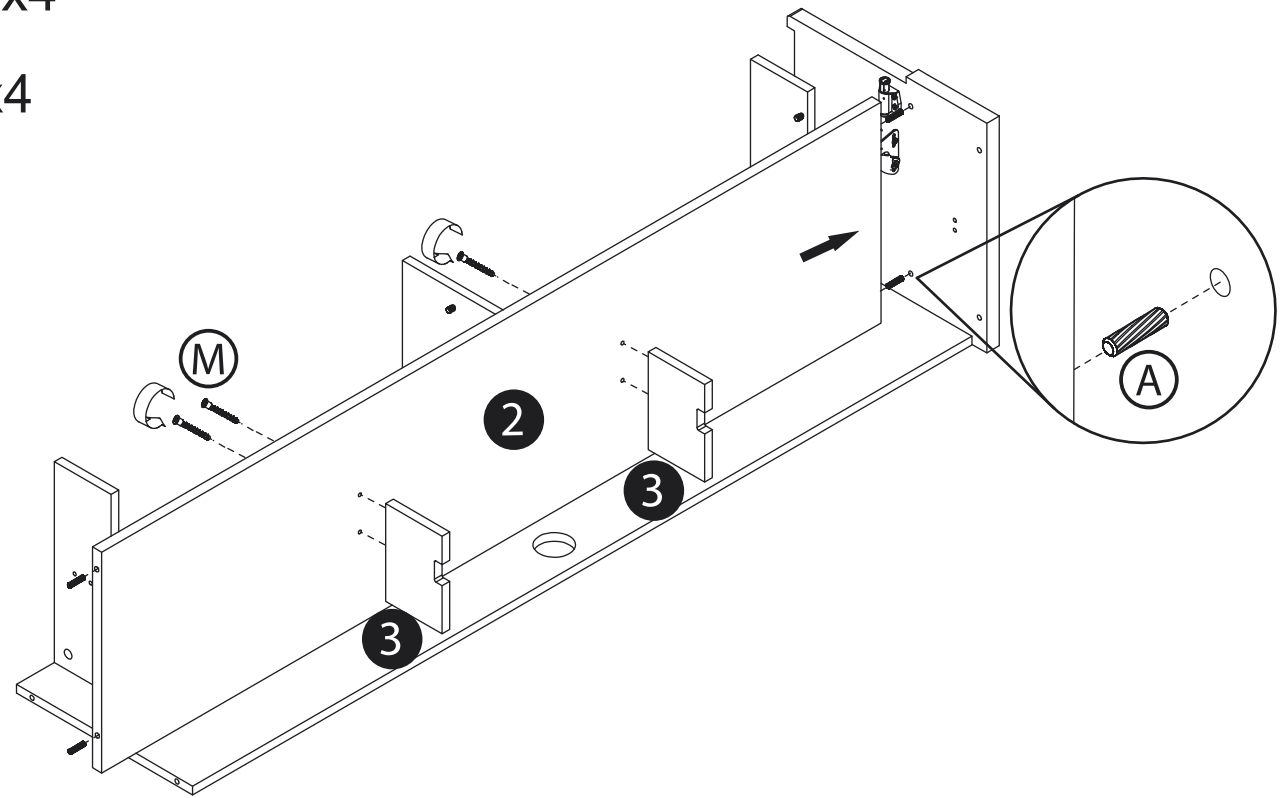
(M)  x2




8 NOTE: Check part 2 is inserted the correct way round to show the finish you want on the top.

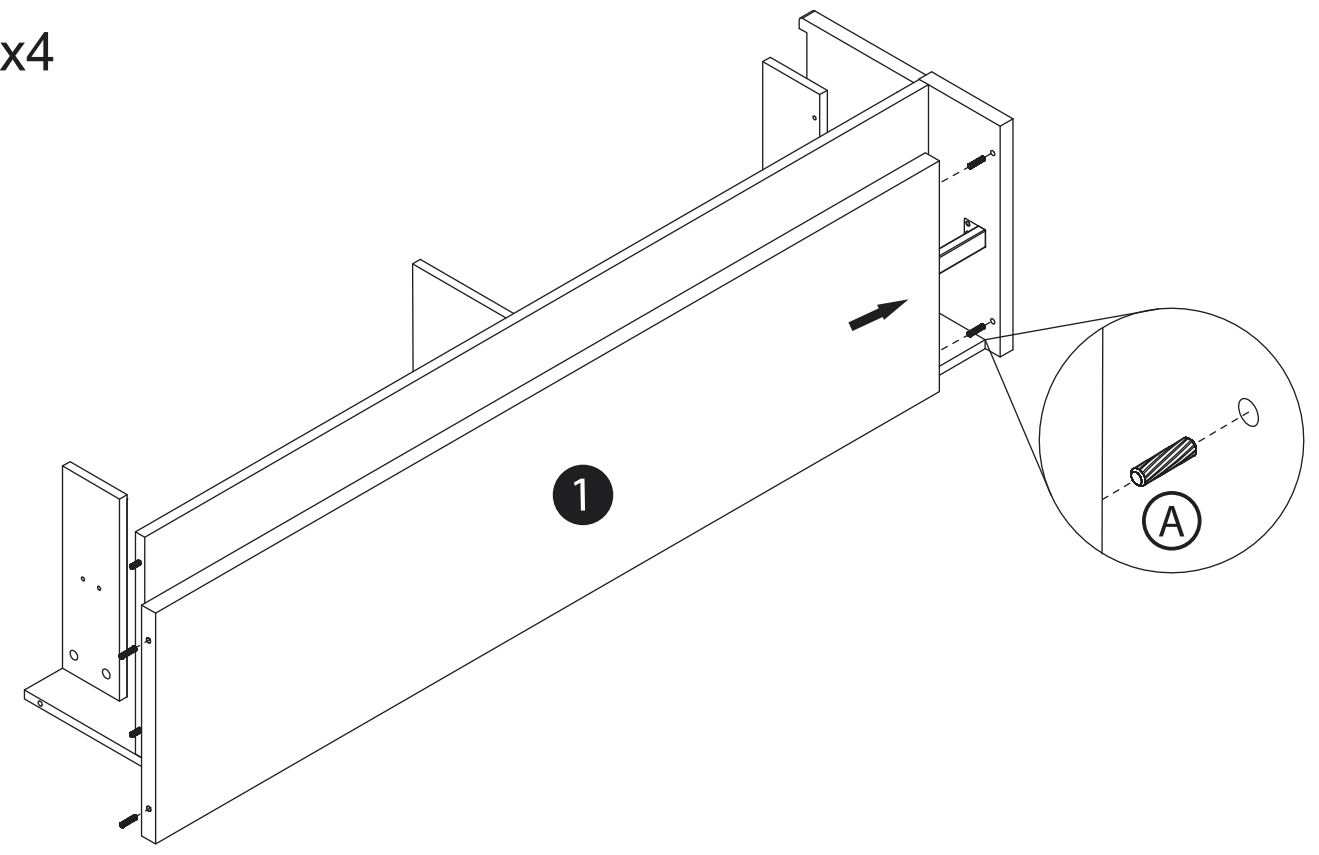
(M)  x4

(A)  x4

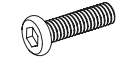


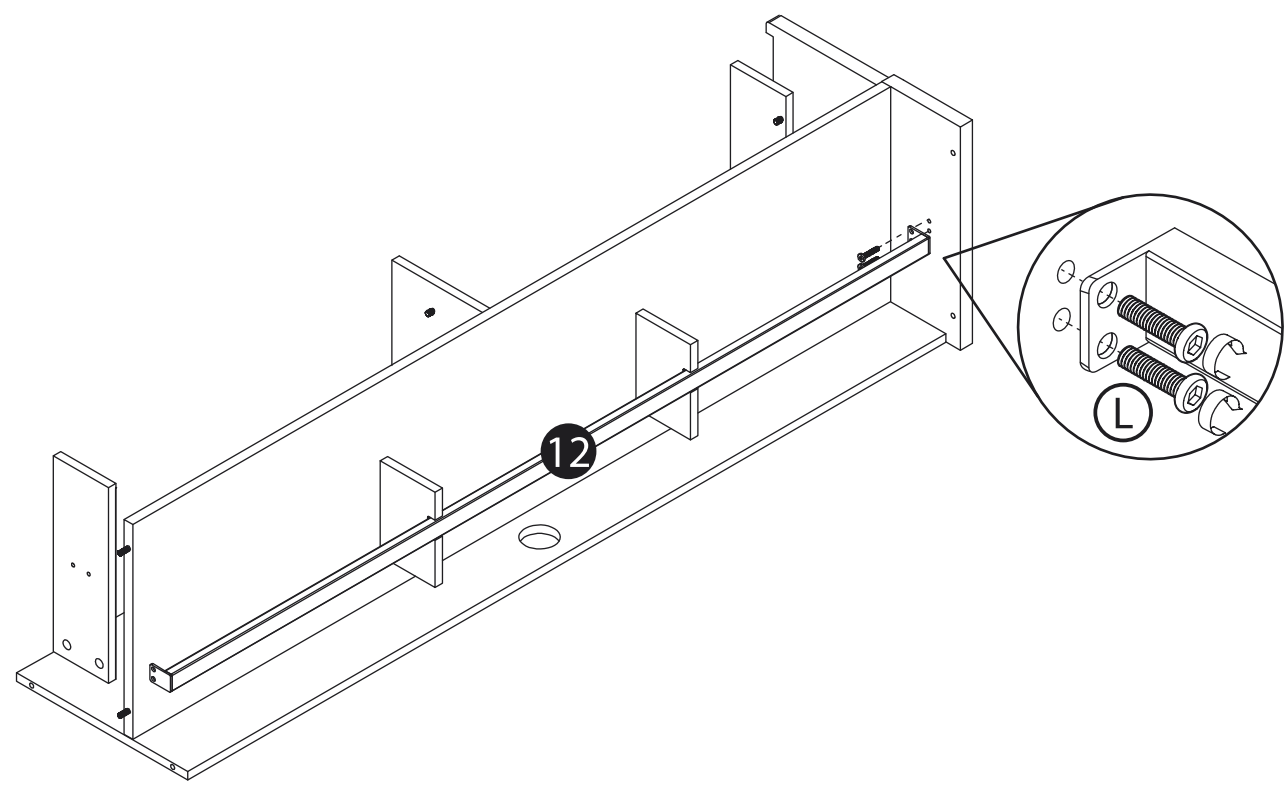
10 NOTE: Check part 1 is inserted the correct way round to show the finish you want on the top.

(A)  x4

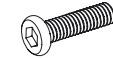


9

(L)  x2



11

(L)  x2

(M)  x2

