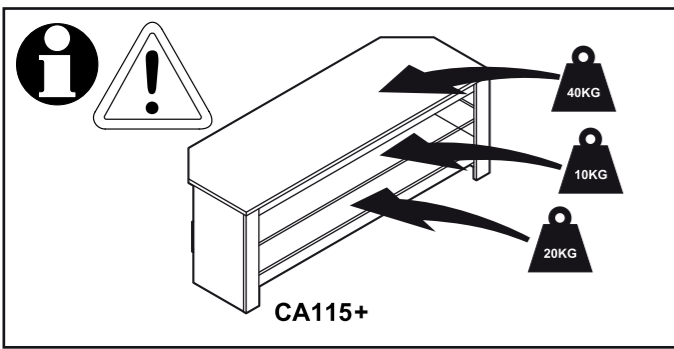


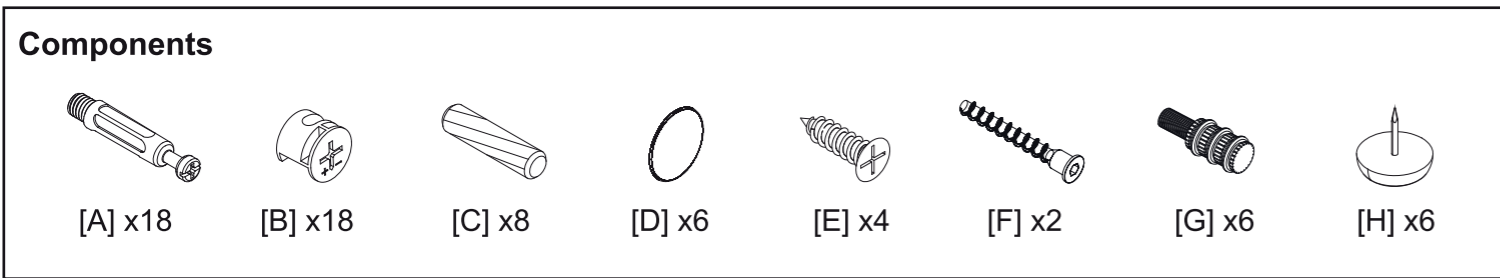
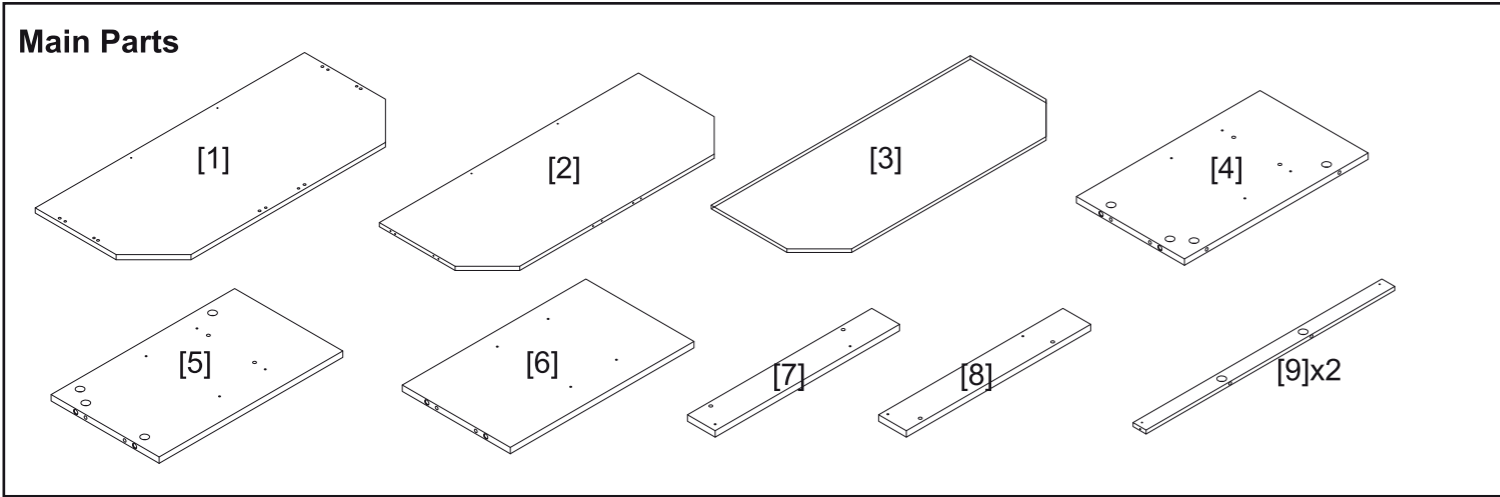
CUSTOMER SERVICES HELP LINE NUMBER: **+44 (0) 333 320 0463 (UK)**
1-800 667 0808 (USA)



Tools

[I] x1

Take extra care not to over tighten any screws as this may cause damage.

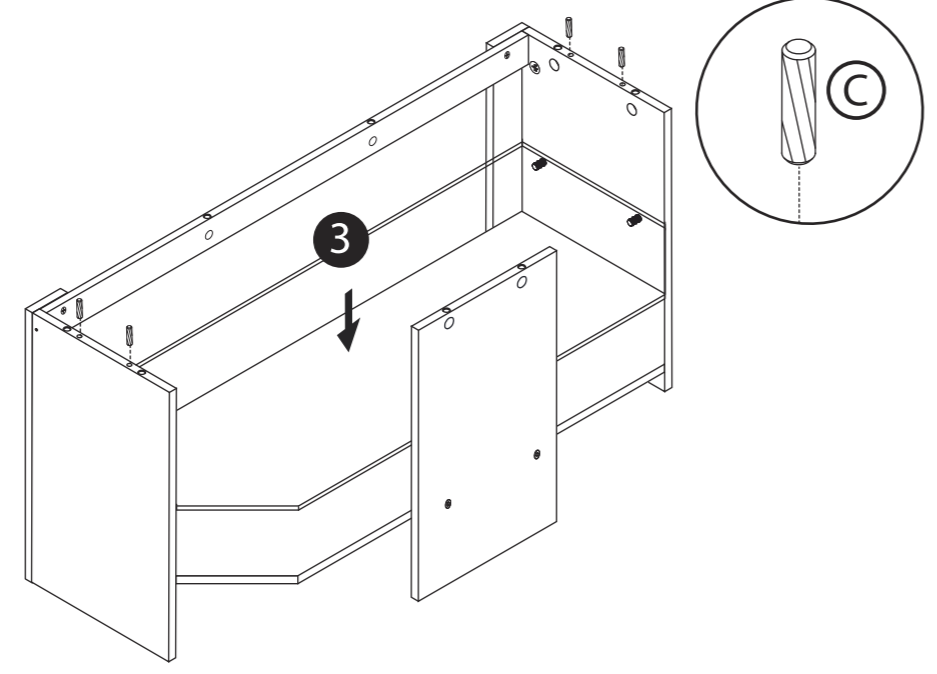


Make sure the arrows on all part B are aiming towards the panel edge when inserted.

Make sure not to over tighten any part A as this could cause damage or error in alignment of panels.

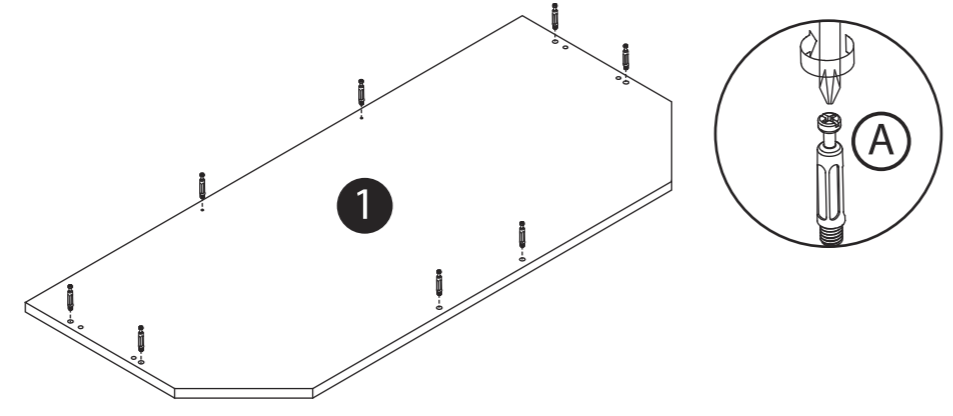
7

(C) x4



8

(A) x8

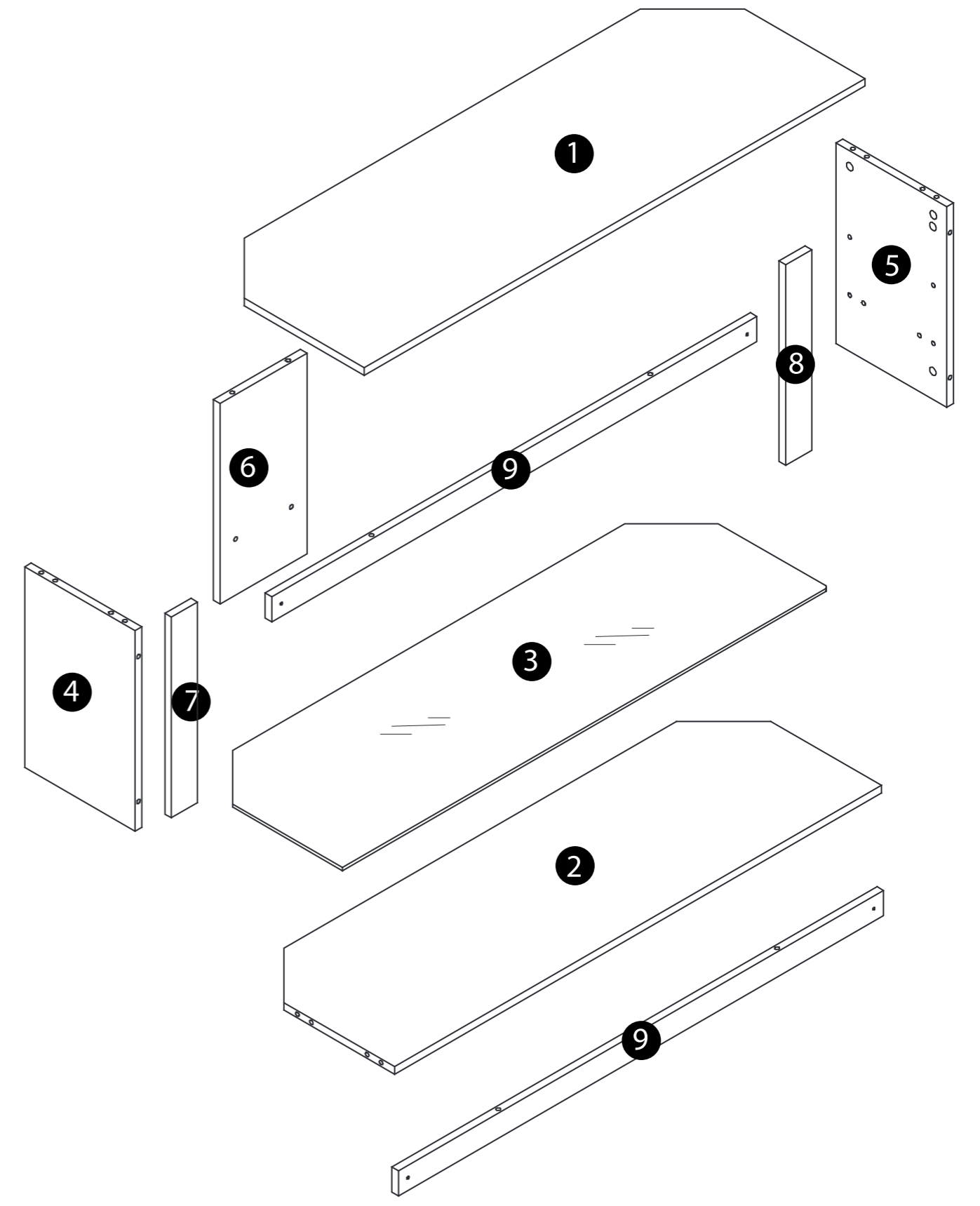
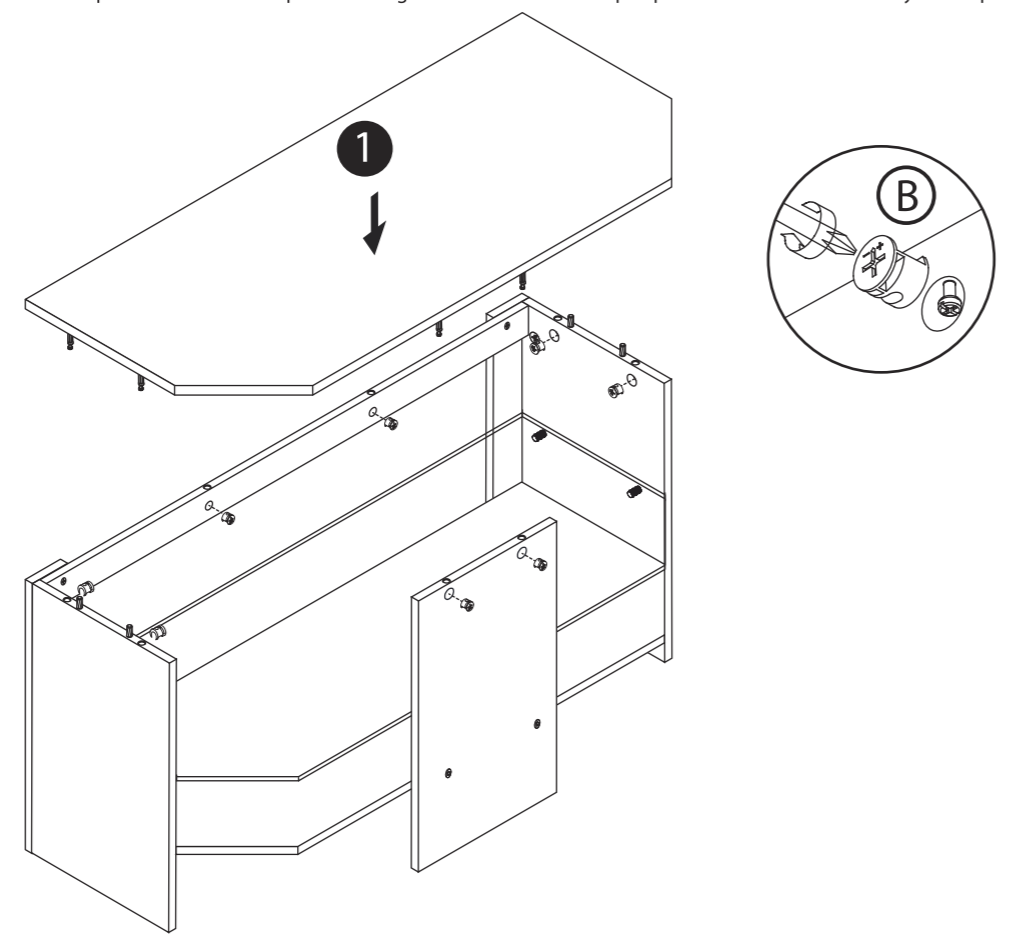


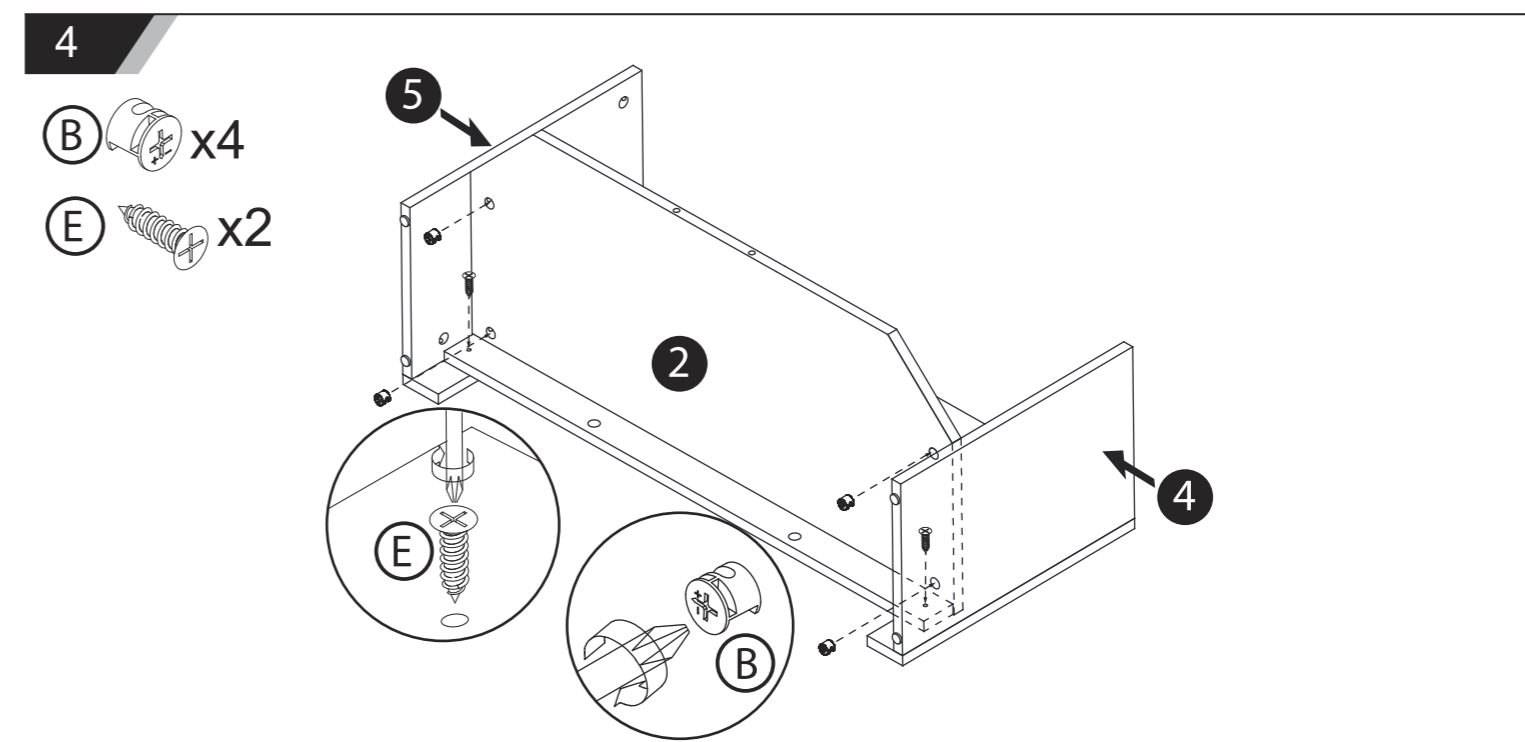
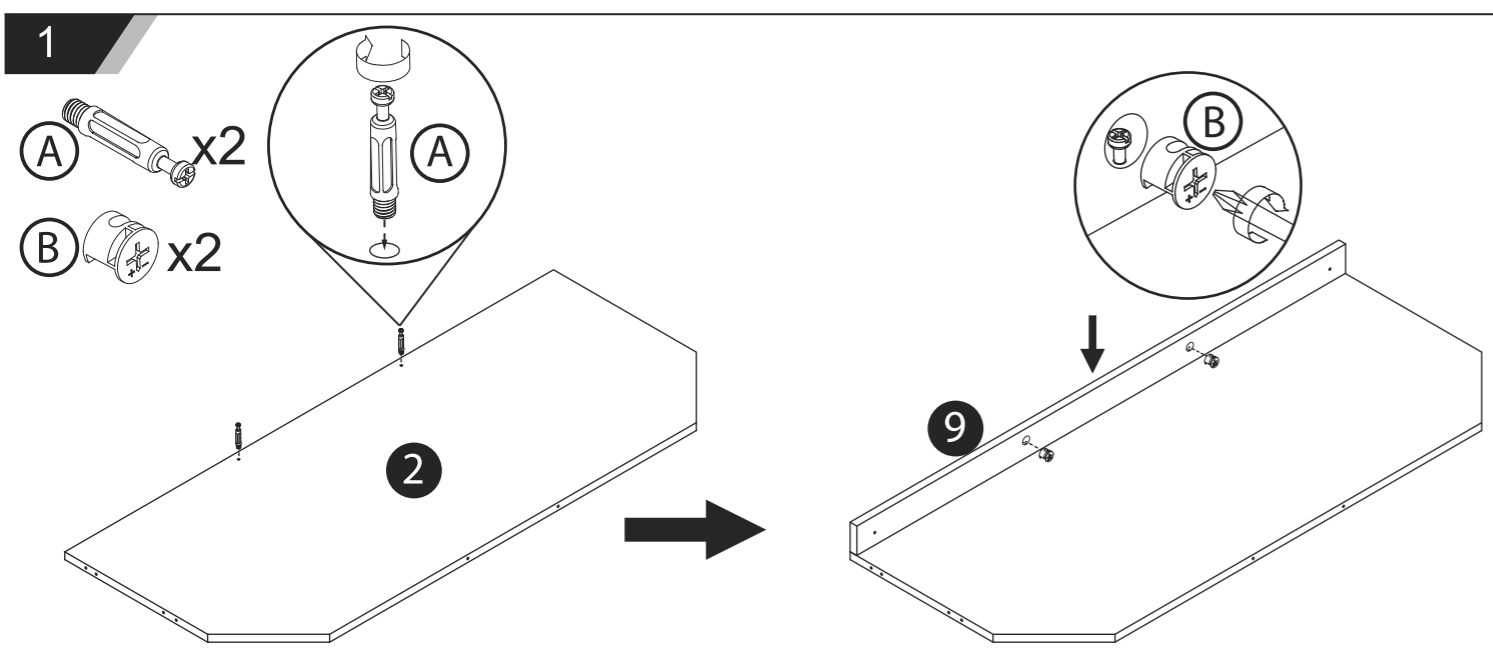
9

NOTE: Once part 1 is fitted secure with 8 part Bs. Make sure all part Bs are tightened to secure the top in place. Use Part D to cover any visible part B's.

(B) x8

(D) x6





2 NOTE: If Part H doesn't fit easily by pressing it in with a thumb, a small hammer could be used to tap into position.

