

60kg  
132lbs



Read through **ALL** instructions before commencing installation.

If you have any questions about this product or issues with installation, contact the customer services helpline before returning this product to the store.

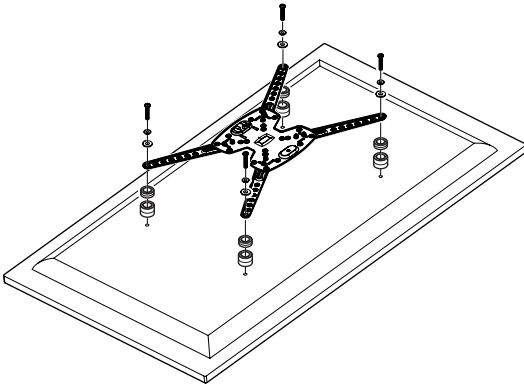


This TV Wall Mount is intended for use with televisions weighing **Maximum 60kg (132lbs)**. Use with products heavier than maximum weights may result in instability causing possible injury.

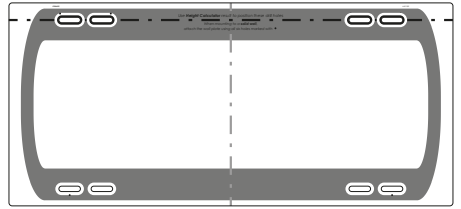
CUSTOMER SERVICES HELPLINE NUMBER: **0333 320 0463 (UK)**

## Assembly Overview

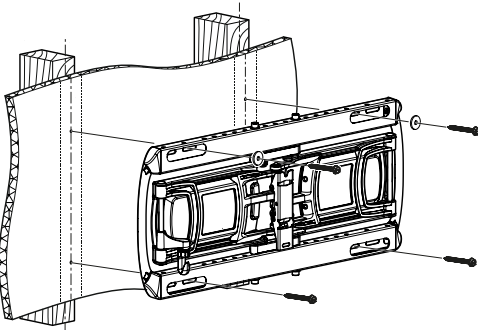
Fit the TV Mounting Plate



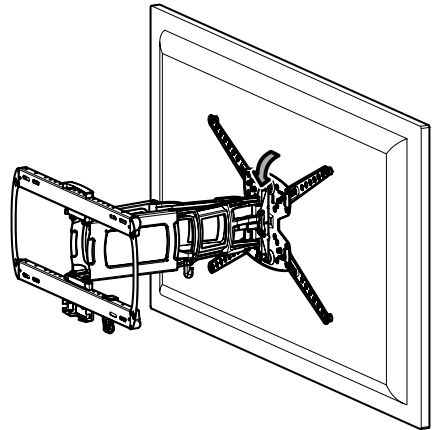
Determine your TV position



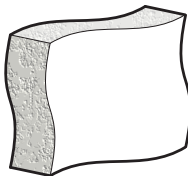
Fit the Wall Plate



Connect the TV



## Suitable Wall Types



Solid Wall



Wood Stud

## Index

**1** Measure the TV fixing holes Width and Height

**2** Preparing the TV Mounting Plate

**3** Fitting the TV Mounting Plate

**4** Marking Wall for Drill Points

**5** Fitting the Wall Plate

**6** Lateral Shift (Optional)

**7** Fitting the Wall Plate Covers

**8** Connecting the TV

**9** Cable Management

**10** Lock Tilt (optional)

**11** TV Levelling

Retain all packaging in case the product needs to be returned.

Contents may vary from photography / illustrations.

You will not need all these parts, so expect there to be some left over depending upon the specification of your TV.

This product is intended for indoor use only. Use of this product outdoors could lead to failure and personal injury.

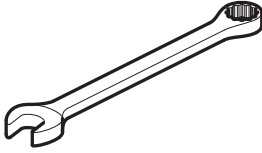
It is the responsibility of the installer to ensure that the mounting wall is of a suitable standard and void of any services (eg gas, electricity, water etc).

AVF accept no responsibility for any damage or loss caused by installing this product in a substandard wall.

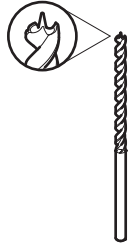
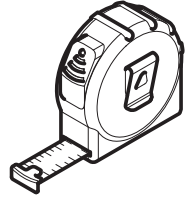
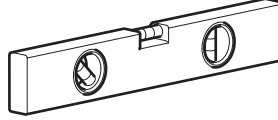
## Tools Recommended



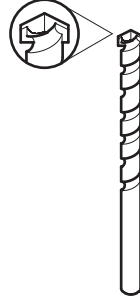
Stud Finder



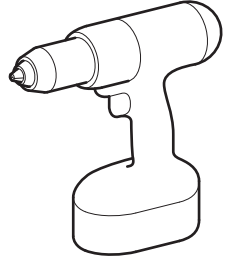
10mm  
13mm



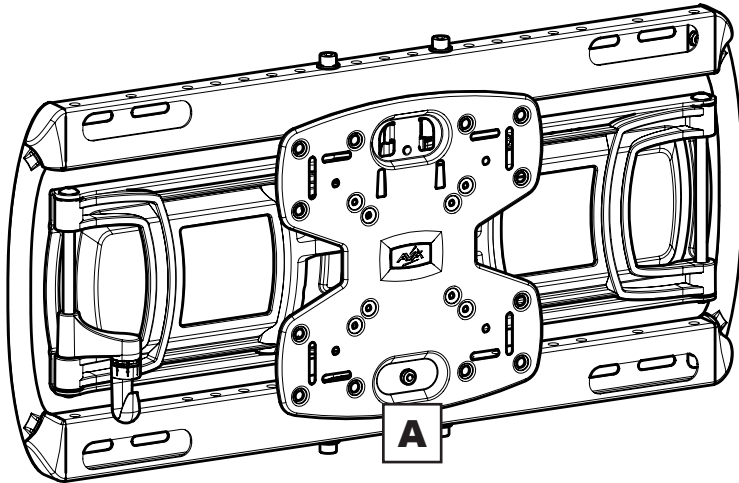
Ø5mm (13/64")  
Wood



Ø12mm (15/32")  
Masonry



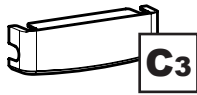
## Boxed Parts



**C1**



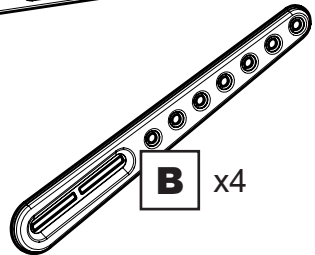
**C2**



**C3**



**D** x4



**B** x4

# TV Screws, Reducers and Spacers



**H1** x4



**H2** x4



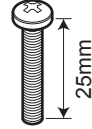
**I1** x12



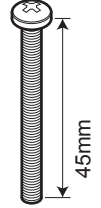
**I2** x4



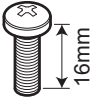
**J1** x4



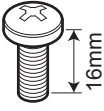
**J2** x4



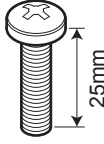
**J3** x4



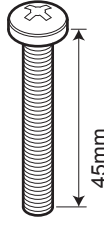
**J4** x4



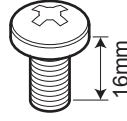
**J5** x4



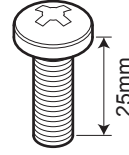
**J6** x4



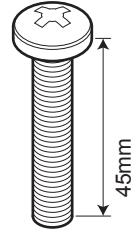
**J7** x4



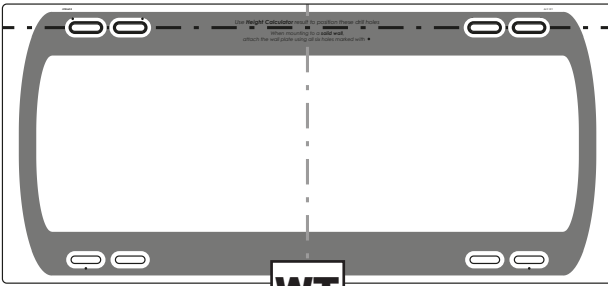
**J8** x4



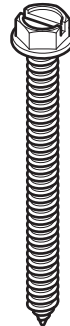
**J9** x4



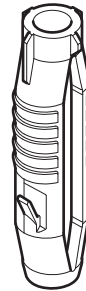
**J10** x4



**WT**



**K** x6



**L** x6



**M** x2



**E** x8

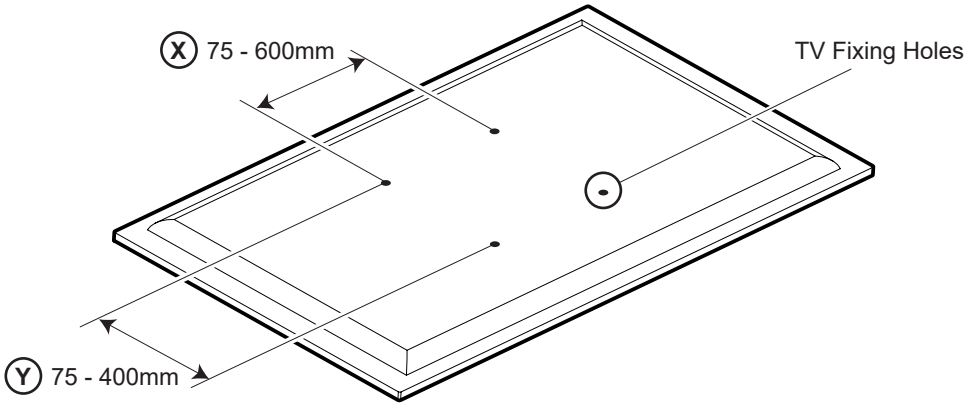


**F** x8



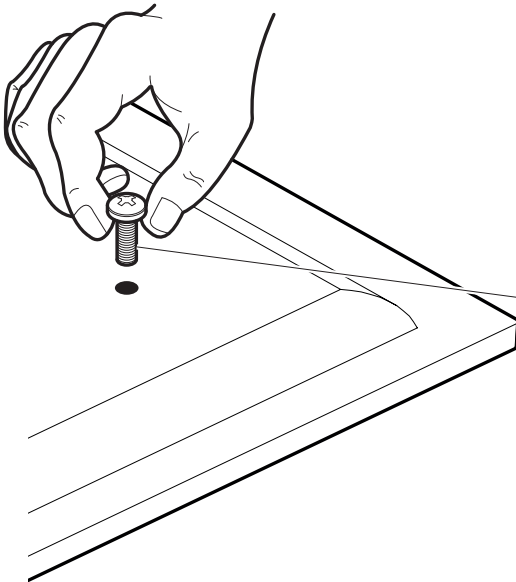
**G** x16

# 1 Measure the TV fixing holes Width and Height



If width **X** is greater than 600mm or height **Y** greater than 400mm  
STOP installation now and contact the customer helpline

You are provided with 4 diameters of TV fixing screws, **M4**, **M5**, **M6** and **M8**.  
Determine the screw diameter that fits and remember for step 3.



**M4 = J1/J2/J3**

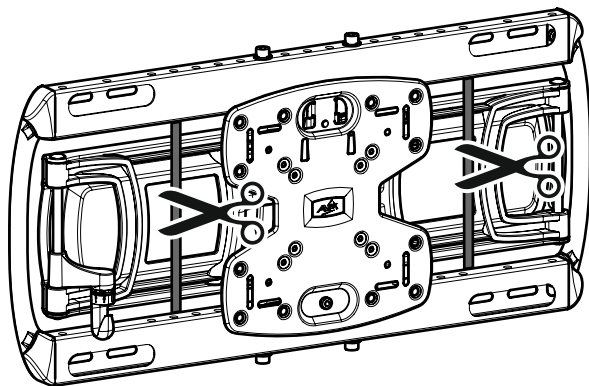
**M5 = J4**

**M6 = J5/J6/J7**

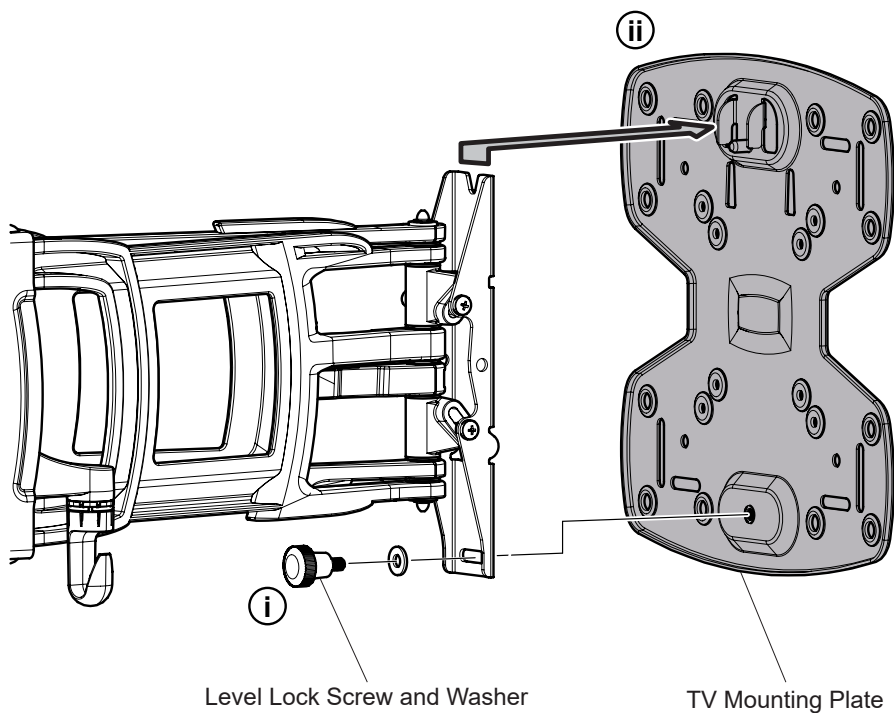
**M8 = J8/J9/J10**

After completing step 3 you will have fixings left over, please keep for future reference.

## 2 Preparing the TV Mounting Plate



Before you can attach the TV mounting plate to your TV you need to remove the plate from your wall mount.



**i** Remove the Level Lock Screw and Washer and safely keep for step 8.

**ii** Remove the TV Mounting Plate.

Use the option that fits your TV

**OPTION 1**

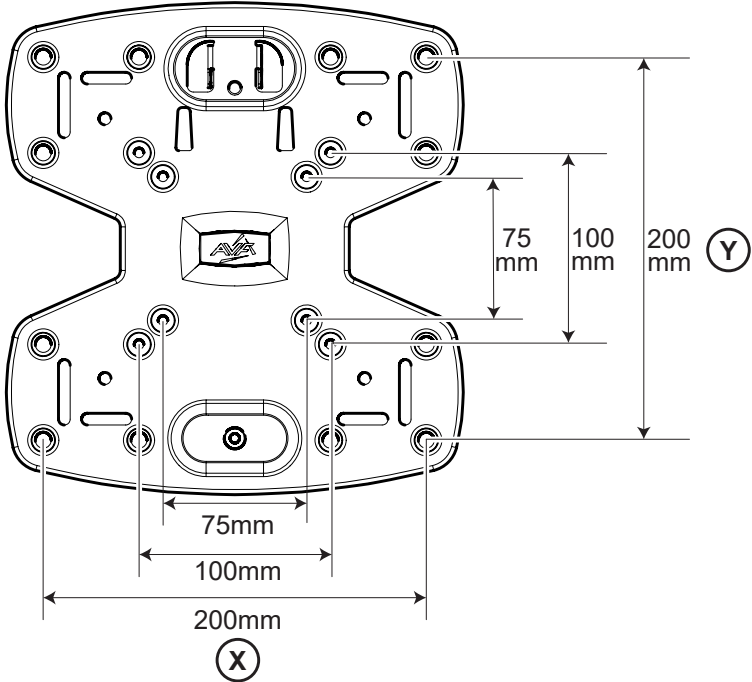
- (X) 75mm x (Y) 75mm
- (X) 100mm x (Y) 100mm
- (X) 100mm x (Y) 200mm
- (X) 200mm x (Y) 100mm
- (X) 200mm x (Y) 200mm

**OPTION 2**

- (X) 300mm x (Y) 100mm
- (X) 300mm x (Y) 200mm
- (X) 300mm x (Y) 300mm
- (X) 400mm x (Y) 100mm
- (X) 400mm x (Y) 200mm
- (X) 400mm x (Y) 300mm
- (X) 400mm x (Y) 400mm
- (X) 75-400mm x (Y) 75-400mm
- (X) 600mm x (Y) 100mm
- (X) 600mm x (Y) 200mm
- (X) 600mm x (Y) 300mm
- (X) 600mm x (Y) 400mm
- (X) 400-600mm x (Y) 75-400mm
- (X) 630mm x (Y) 310mm

If in any doubt please call the customer helpline

**OPTION 1**



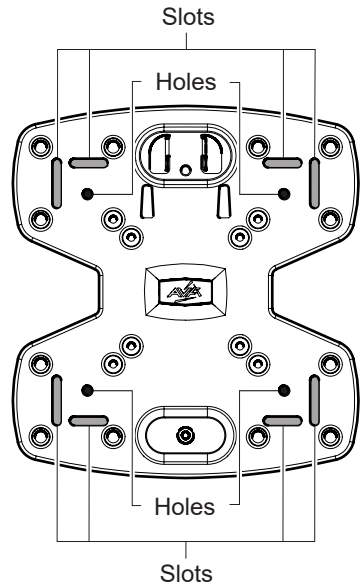
If your TV fixing holes match any of the sizes shown above you will not need to use any adaptors. Please go to step 3.



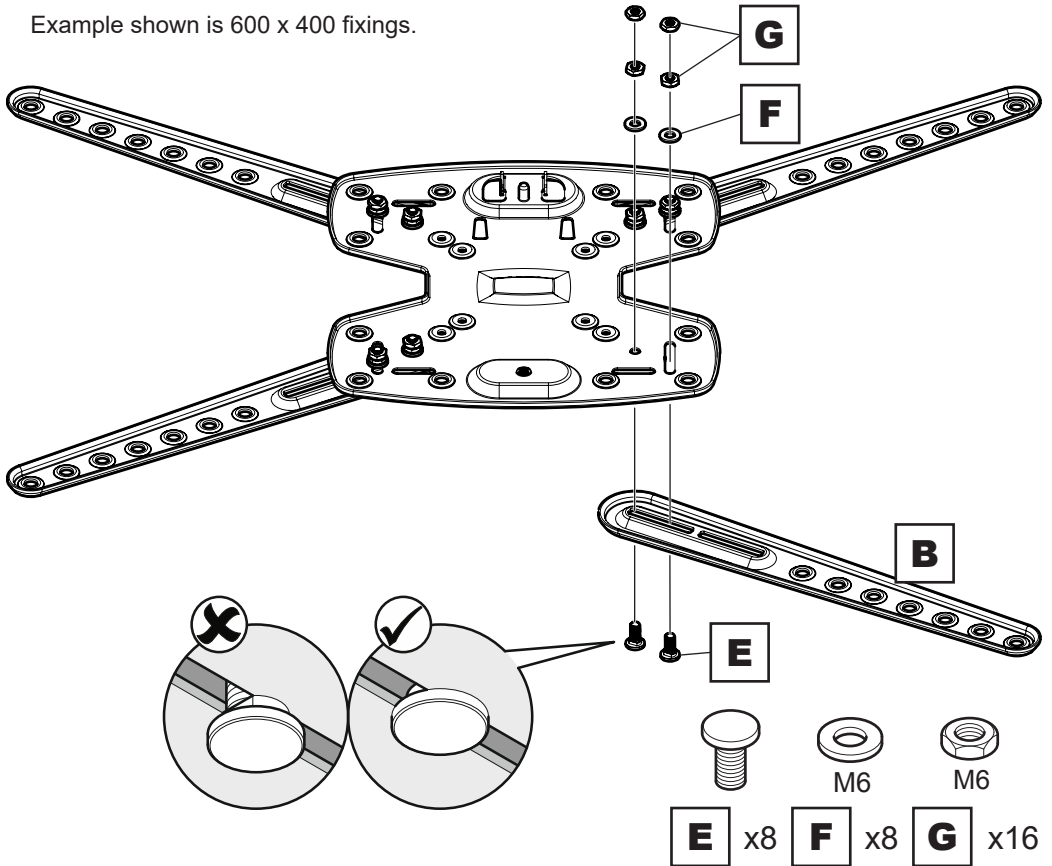
## OPTION 2

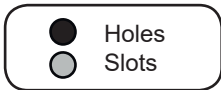


When attaching adaptors **B** you must always use **HOLES x4** and either of the **SLOTS**.

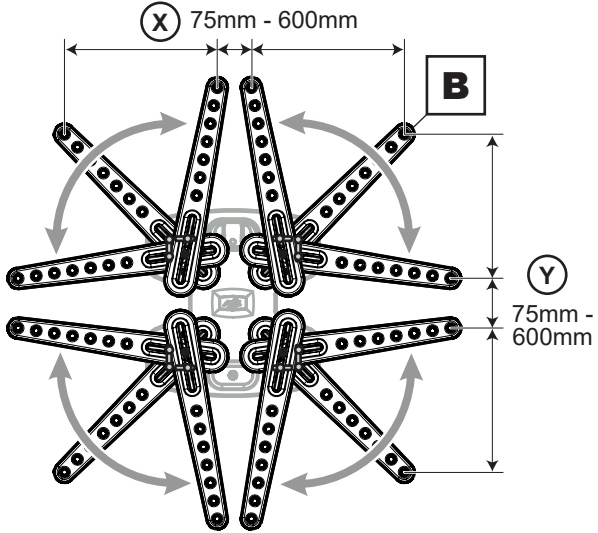


Example shown is 600 x 400 fixings.

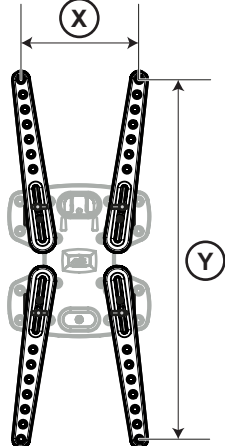
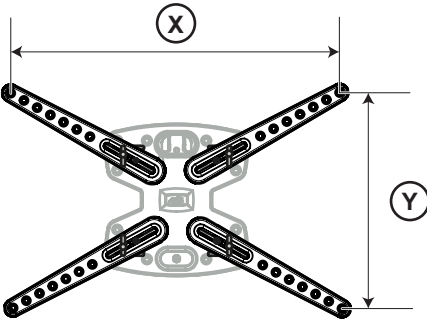
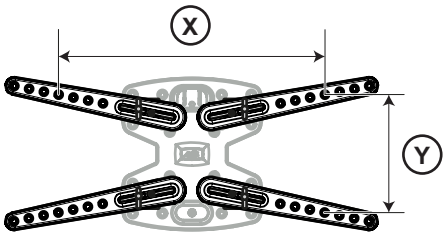
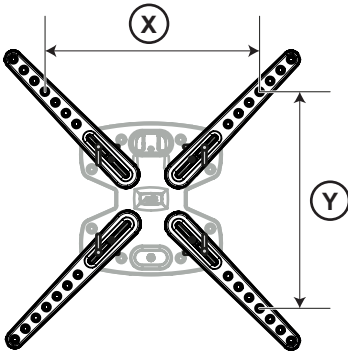




Adaptors **B** can be fixed in different positions in the slots on the plate to match your TV fixing holes.



Below are some common examples of how the adaptors can be positioned to match the fixing holes on your TV.

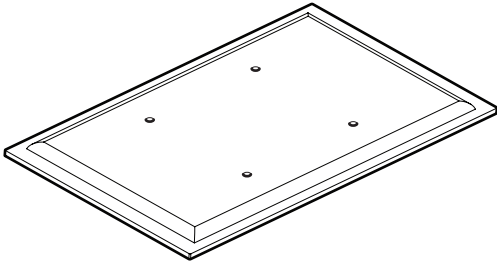


# 3

## Fitting the TV Mounting Plate

### No Spacers

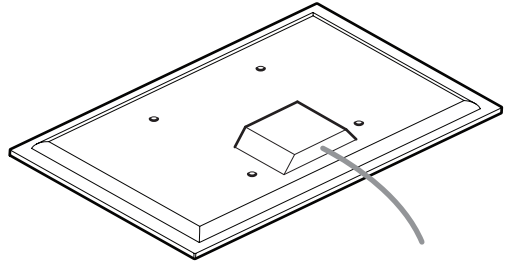
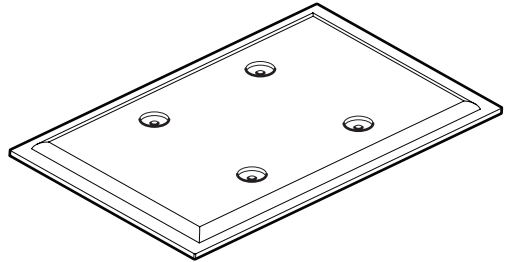
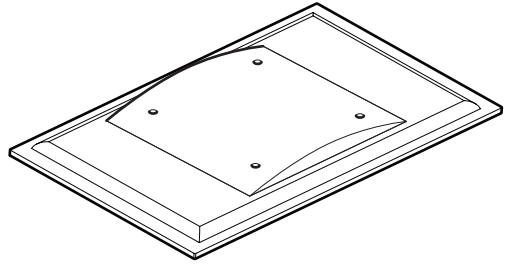
For TVs with flat / unobstructed back.



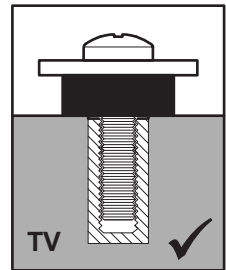
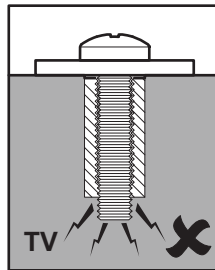
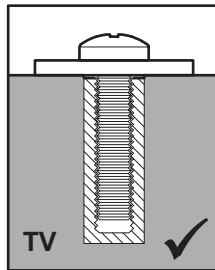
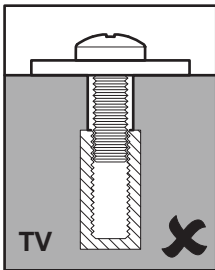
### Spacers

1 1/2

For TVs with irregular / obstructed back.

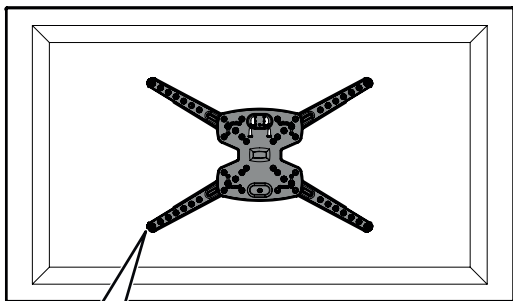


WARNING

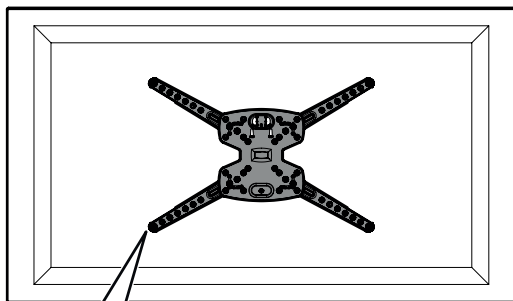


If your TV has an irregular/obstructed back or if you have any issues fitting to the back of your TV with the supplied screws, please call the customer services helpline.

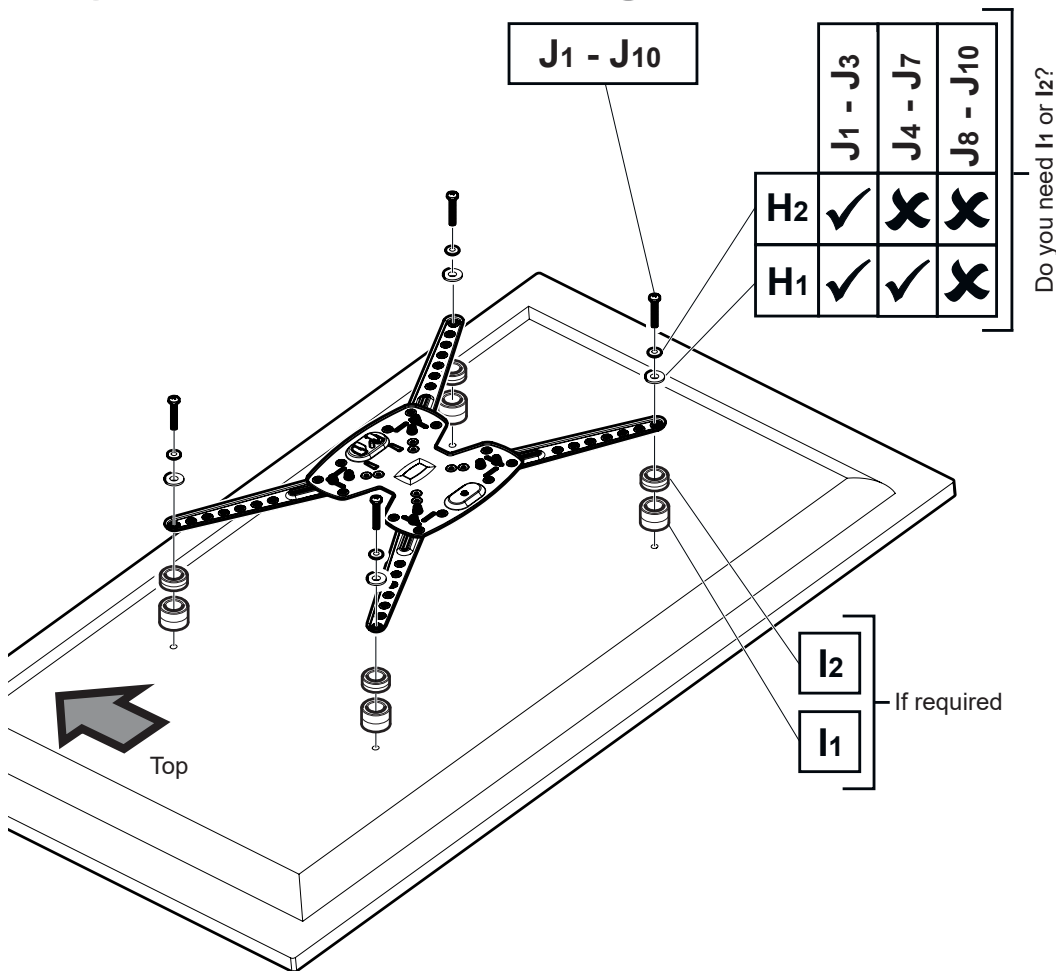
Before you fully tighten the TV mounting plate check that the mounting plate holes line up with the fixing holes on the back of your TV.



Holes do not line up and small adjustment is required before you fully tighten



Holes line up and no adjustment is required before you fully tighten



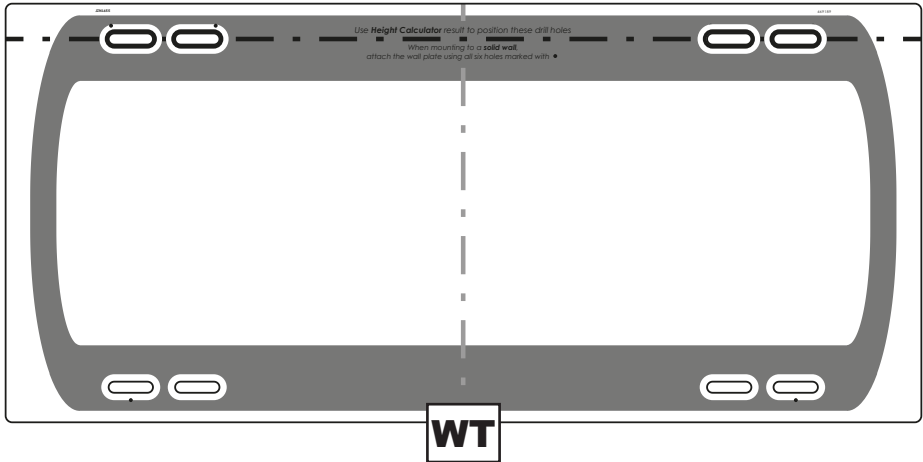
Attach the mounting plate to the back of your TV using suitable screw, reducer and spacer combinations.

# 4

## Marking Wall for Drill Points



For this step you will need your Wall Marking Template **WT**.



To determine the exact position for your drill points use the Height Calculator app. Follow the link to the app shown on your Wall Marking Template.

Before marking any drill points you will need to determine the wall type that you have, either **Solid Wall** or **Wood Stud Wall**. Ensure the drilling area is free from mains services (Gas / Electric / Water). If fixing to a solid wall it is recommended that you place the drilling template so that the Wall Plate Centre line is where you want the centre of your TV to be. If you need to avoid services embedded in the wall then you may need to laterally shift the arms on the wall plate a small amount. **See Lateral Shift Option.**

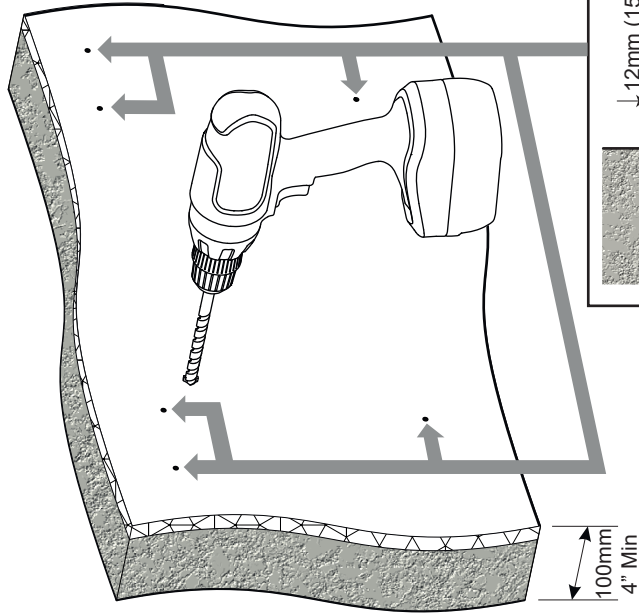
If fixing to a wood stud wall you must place the drilling template so that the drilling holes are over two wood studs. If you want the centre of your TV in a different position to the Wall Plate Centre Line you can laterally shift the arms on the wall plate to ensure your TV is in the desired position. **See Lateral Shift Option.**

Before you drill make sure you are happy with the position and ensure template is level.

# 5

## Fitting the Wall Bracket

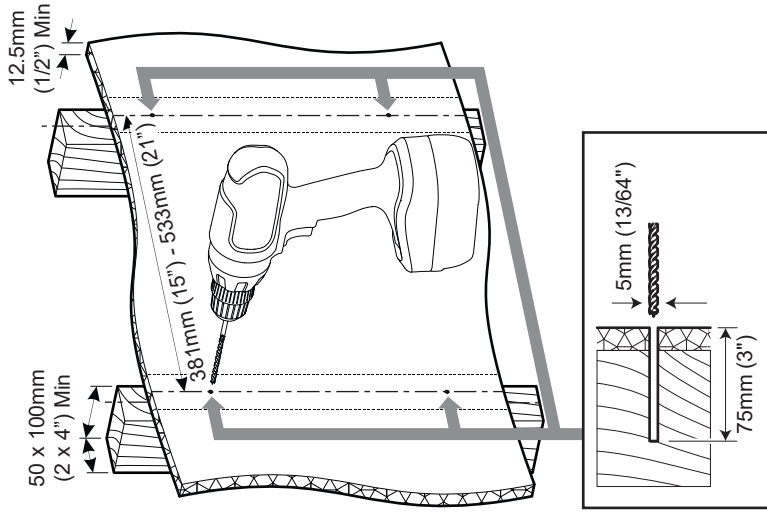
### Solid Wall



Remove Dust from Hole.

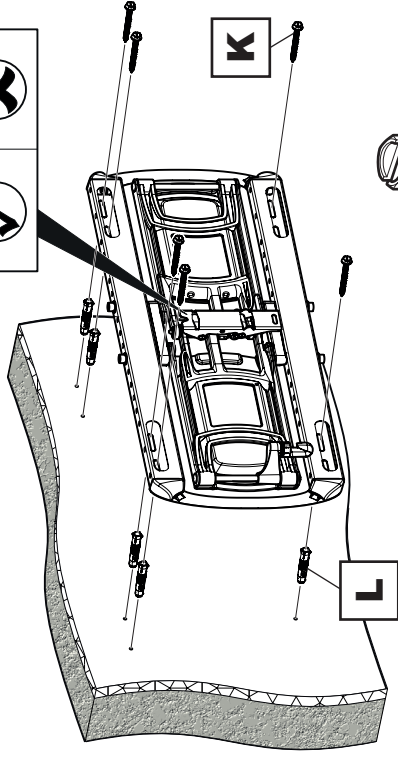
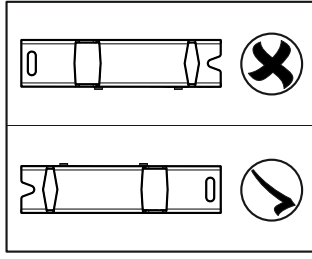
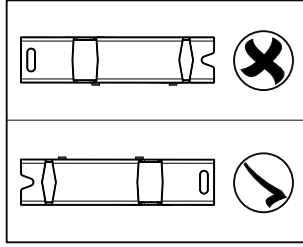
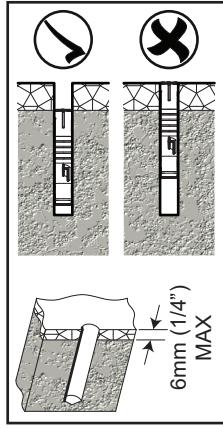


### Wood Stud



Ensure you drill in the centre of the wood stud

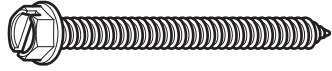




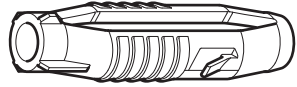
Lubricate screw thread with soap.



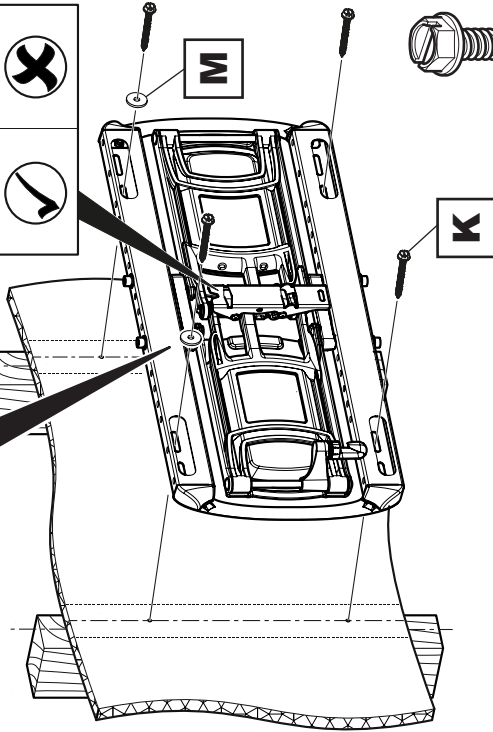
DO NOT overtighten screws.  
Tighten screws by hand only



**K** x6



**L** x6



Lubricate screw thread with soap.



**M** x2



**K** x4



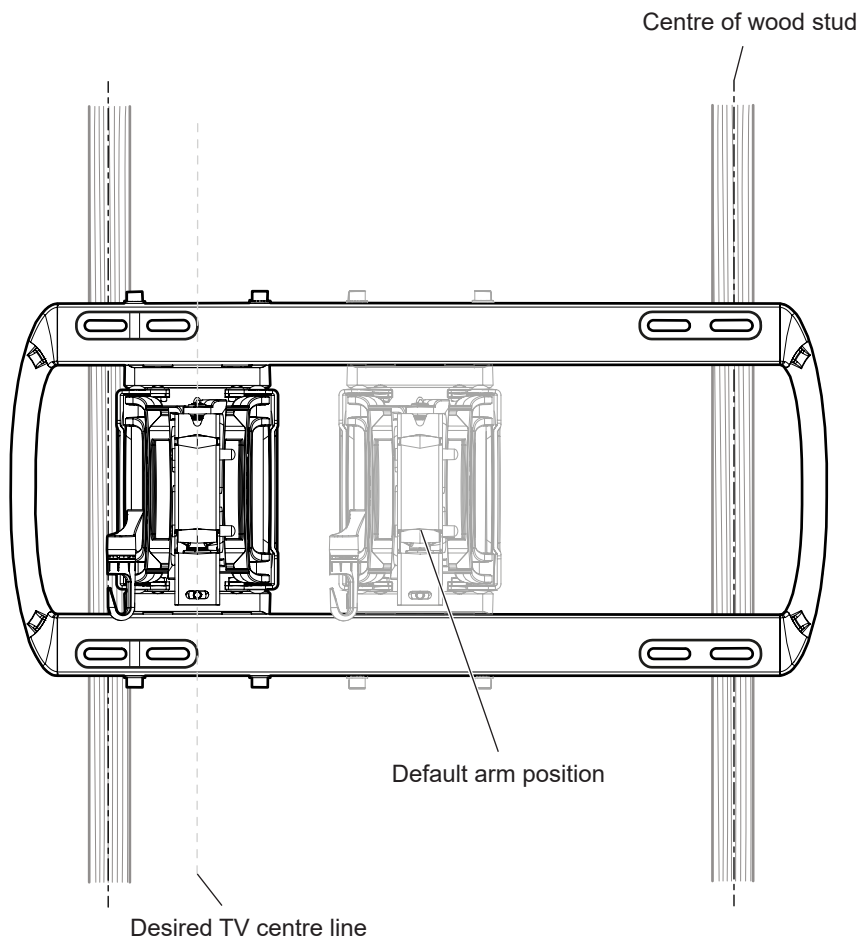
DO NOT overtighten screws.  
Tighten screws by hand only.

DO NOT use wall plugs in a  
wood stud wall.

## 6 Lateral Shift (Optional)

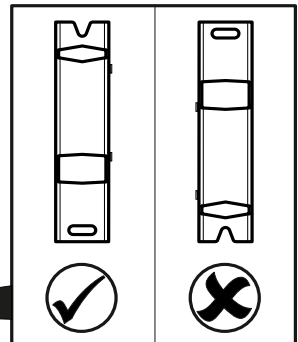
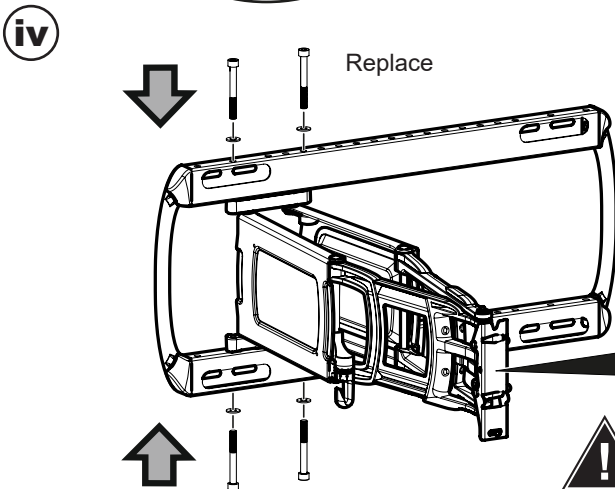
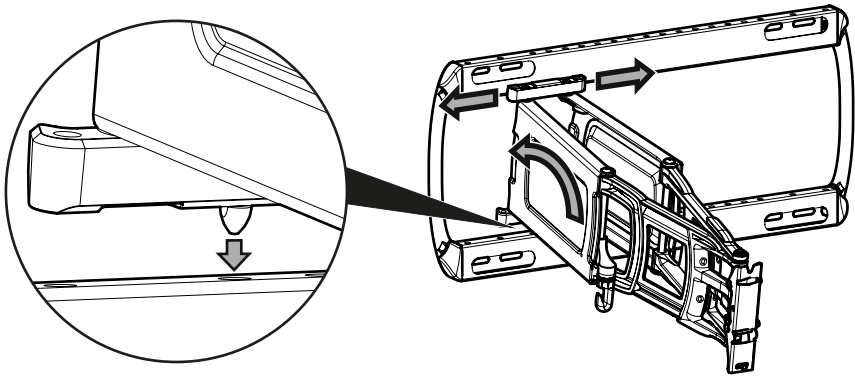
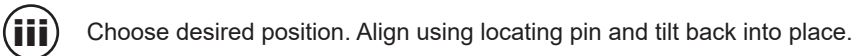
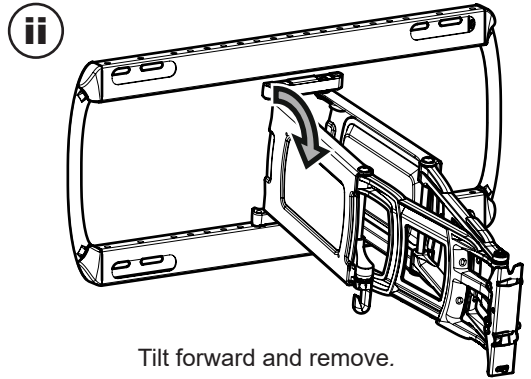
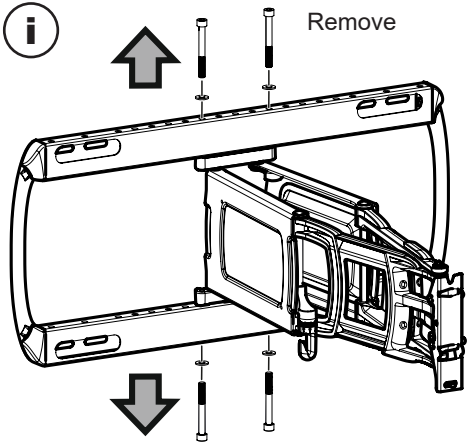
The position you have chosen for your TV might not be central between the wood studs, or you may have to avoid services in the wall. In this case you can laterally shift the arms of the mount so the TV is exactly where you want it.

### Example of Lateral Shift



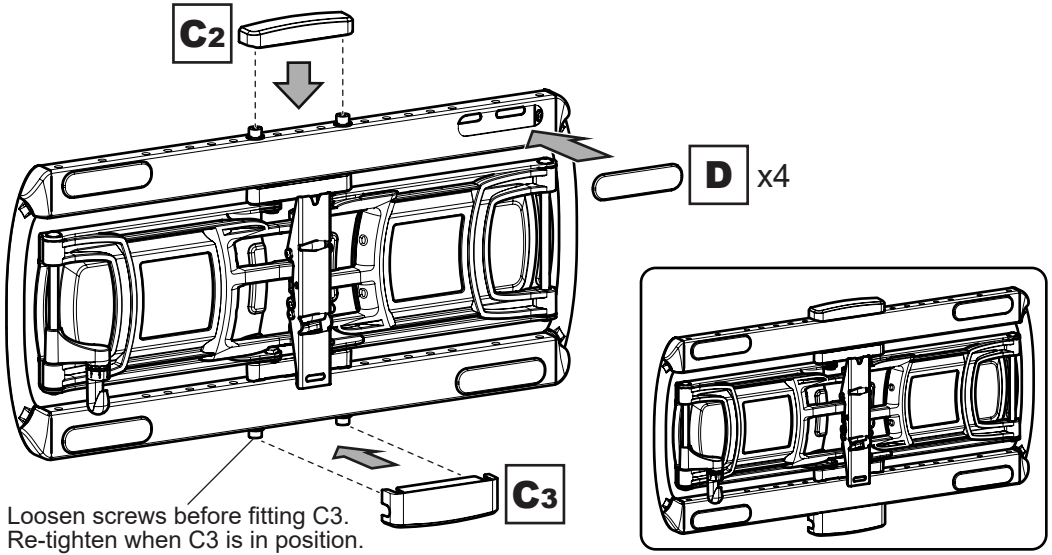


## Lateral Shift Procedure

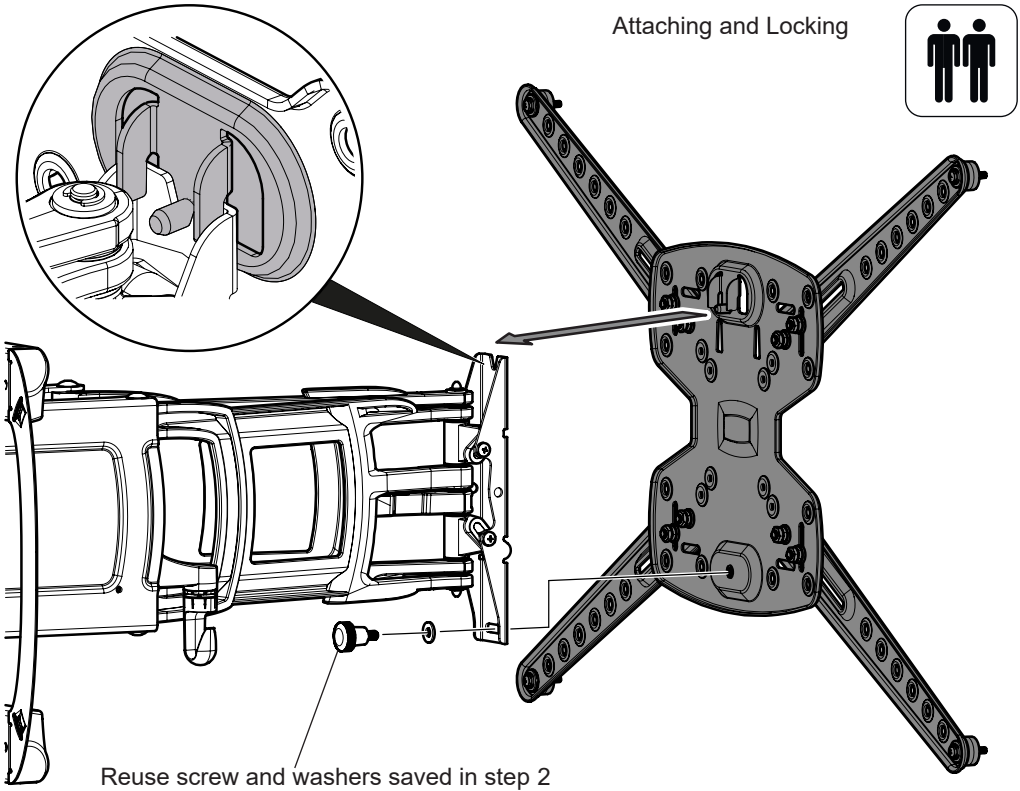


DO NOT overtighten

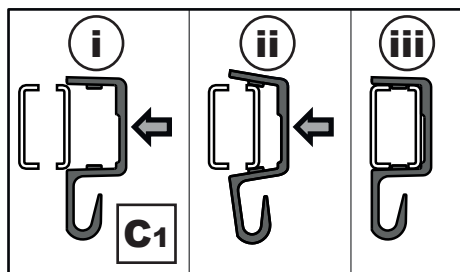
## 7 Fitting the Wall Plate Covers



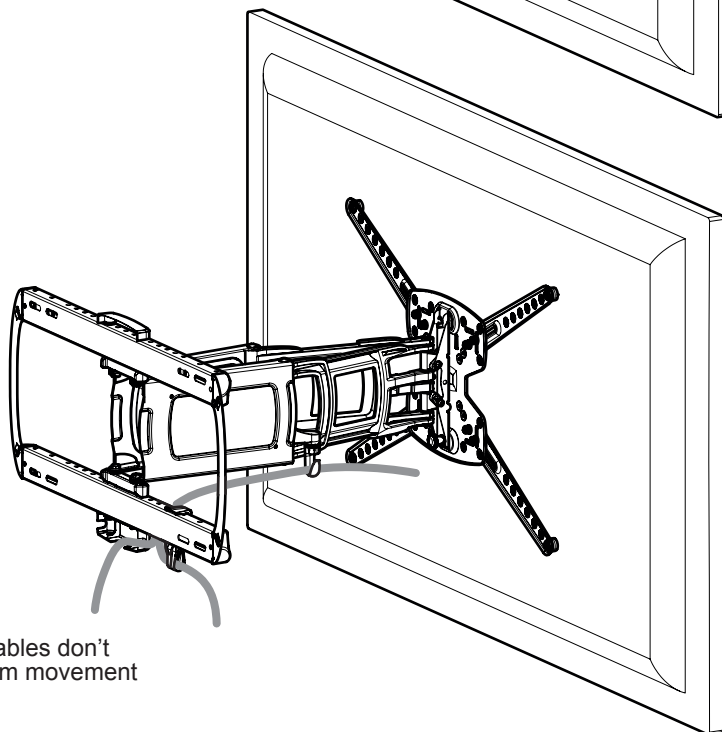
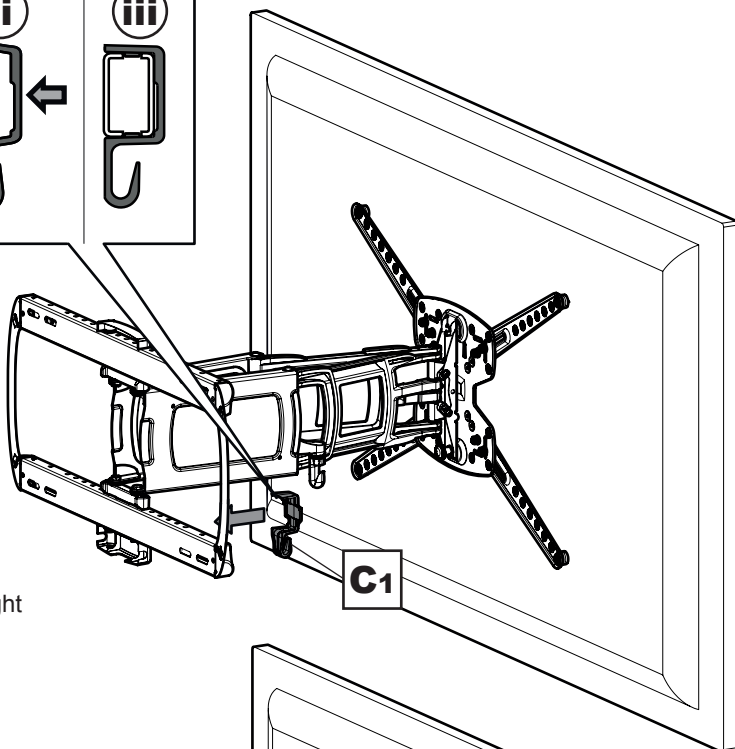
## 8 Connecting the TV



# 9 Cable Management

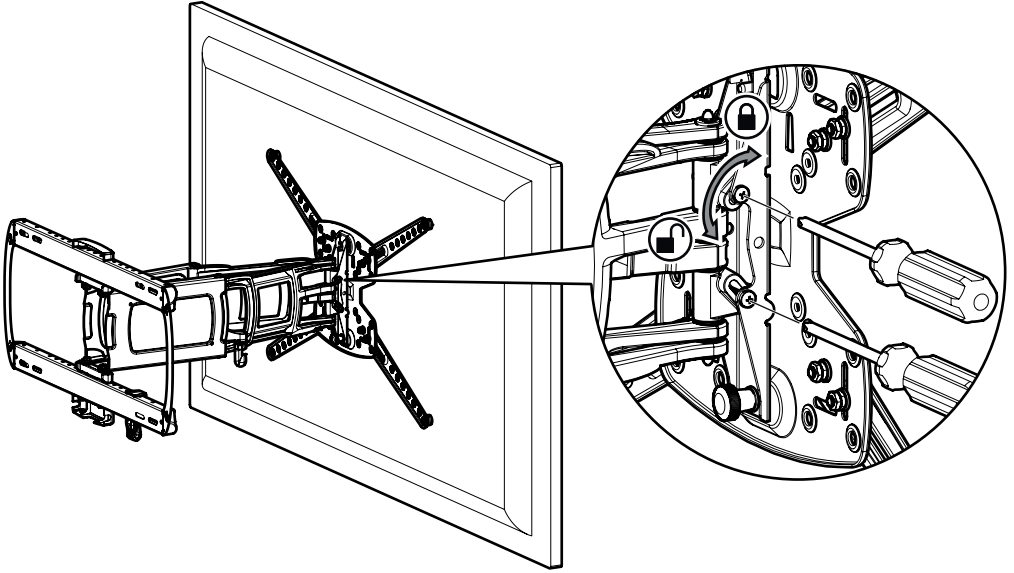


Check all fittings are tight

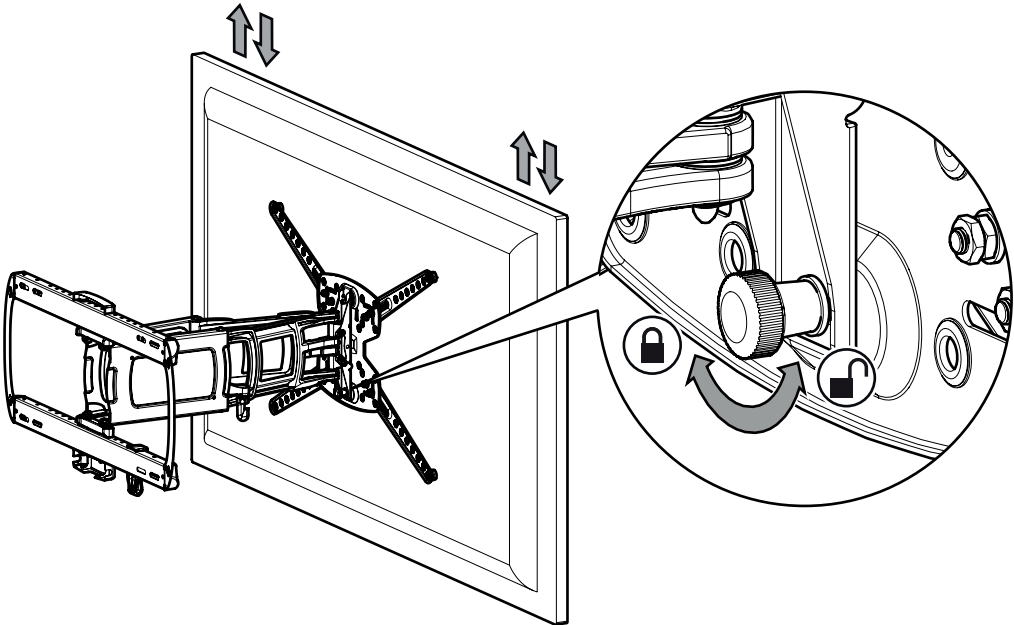


Ensure cables don't restrict arm movement

## 10 Lock Tilt (optional)



## 11 TV Levelling



Loosen the Level Lock Screw, adjust your TV until it is level, then re-tighten the screw.