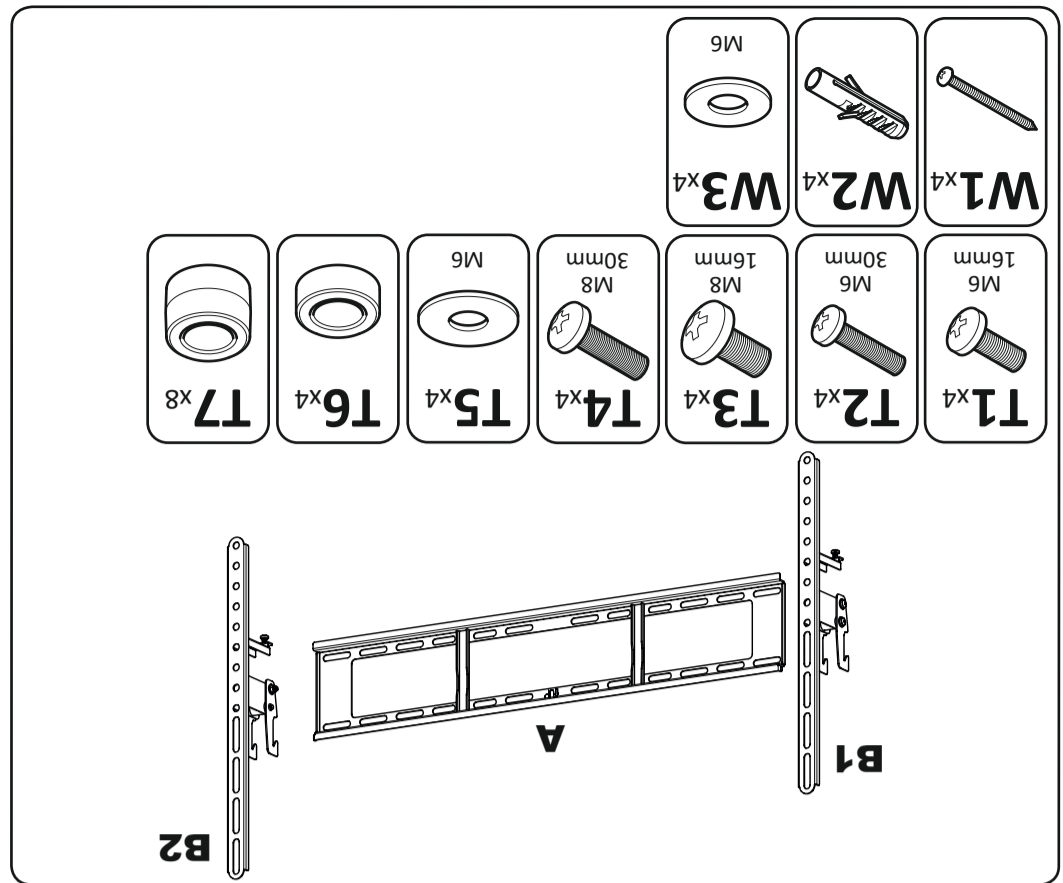


Your TV mount fits the following TV fixing sizes  
 100 x 100mm, 100 x 200mm  
 200 x 100mm, 200 x 200mm  
 200 x 300mm, 300 x 200mm  
 300 x 300mm, 400 x 100mm  
 400 x 200mm, 400 x 400mm  
 600 x 100mm, 600 x 200mm  
 600 x 400mm

1 Measure the TV fixing holes

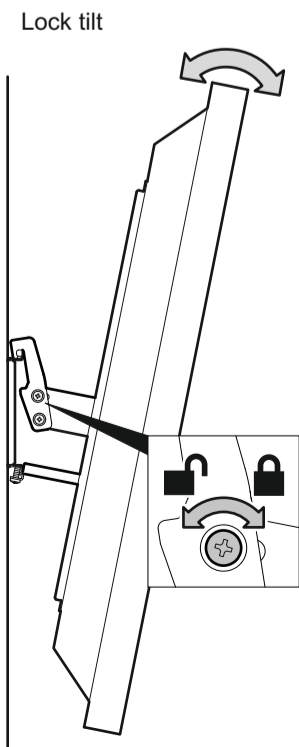
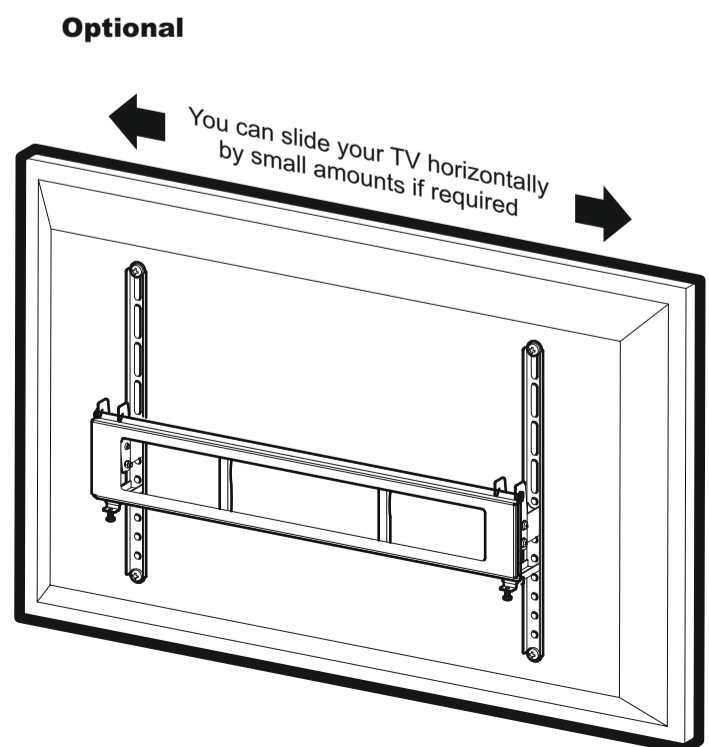
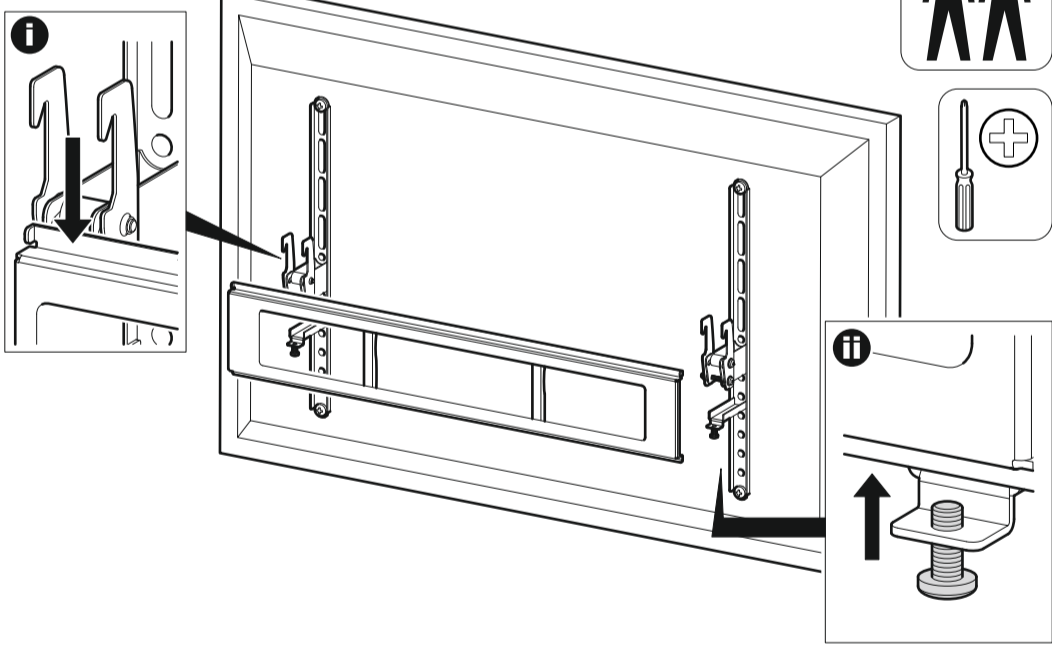


Tools Recommended

IF YOU ARE IN ANY DOUBT, CONSULT A QUALIFIED CONTRACTOR

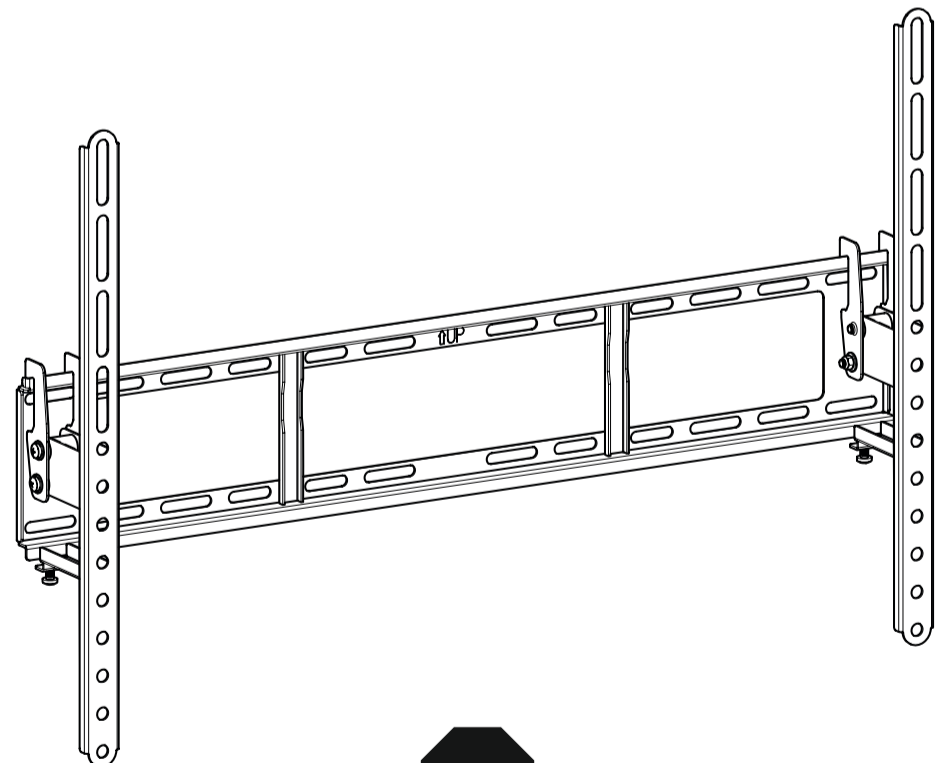
Periodically check all nuts and bolts are tight.  
 standard wall.  
 TESCO accept no responsibility for any damage or loss caused by installing this product in a sub-void of any services (eg gas, electricity, water etc).  
 It is the responsibility of the installer to ensure that the mounting wall is of a suitable standard and ensure the product is correctly installed.  
 This product is sold as a home DIY product and as such, it is the responsibility of the installer to personal injury.  
 This product is intended for indoor use only. Use of this product outdoors could lead to failure and specification of your TV.  
 You will not need all these parts, so expect there to be some left over depending upon the Contents may vary from photography/illustrations.  
 Retain all packaging in case the bracket needs to be returned.

5 Connect TV



TC5

469070 rev03

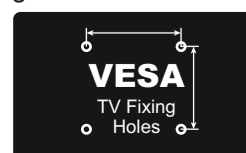


Read the operating instructions and keep them in a safe place. If you have any questions about this product or issues with installation contact the help line before returning this product to the store.

Installation video guide and TV Height Calculator tool at [myTVMount.com](http://myTVMount.com)

Helpline: **0333 320 8027**

Monday - Thursday 08:30 - 17:00 Friday 08:30 - 16:00  
 Calls charged at local rate

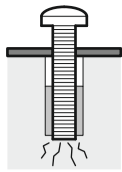


100 x 100mm, 100 x 200mm  
 200 x 100mm, 200 x 200mm  
 200 x 300mm, 300 x 200mm  
 300 x 300mm, 400 x 100mm  
 400 x 200mm, 400 x 400mm  
 600 x 100mm, 600 x 200mm  
 600 x 400mm

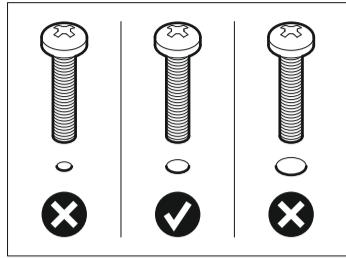
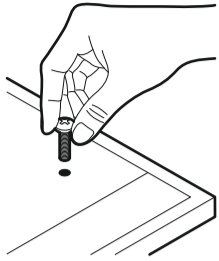
## 2 Deciding the correct screw and spacer combination



When deciding which screw diameter and length is suitable for your TV it is important to **STOP** immediately as soon as you feel any resistance to prevent damage to your TV



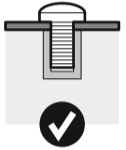
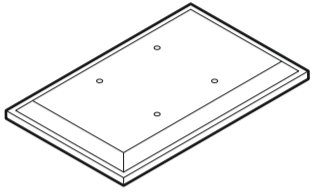
You are provided with diameters of TV fixing screws, **M6** and **M8**. Determine the screw diameter that fits and remember for the next step



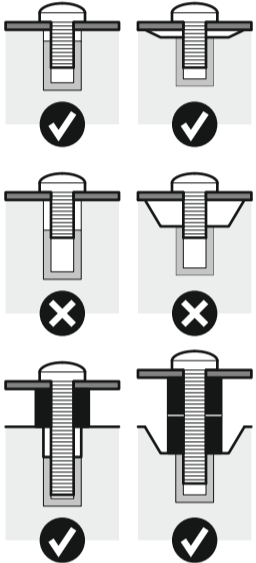
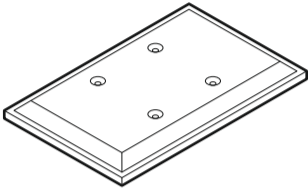
### Do I need to use spacers T6 or T7?

Spacers are provided so that you can achieve the correct fit between the back of your TV and Mounting Plate, please see below for examples of when spacers are required

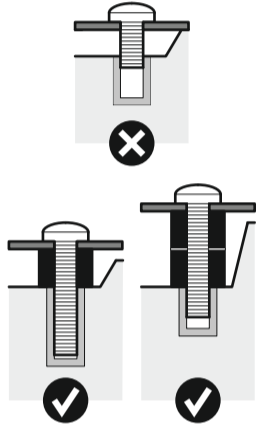
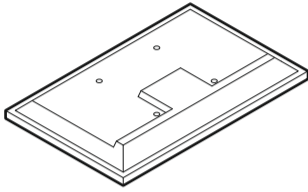
**No**  
TV has flat back and flush fixing holes



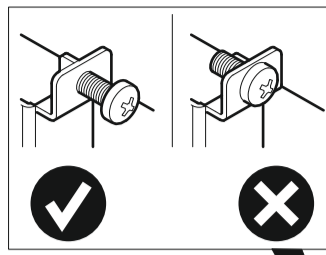
**Maybe**  
TV has flat back with recessed fixing holes



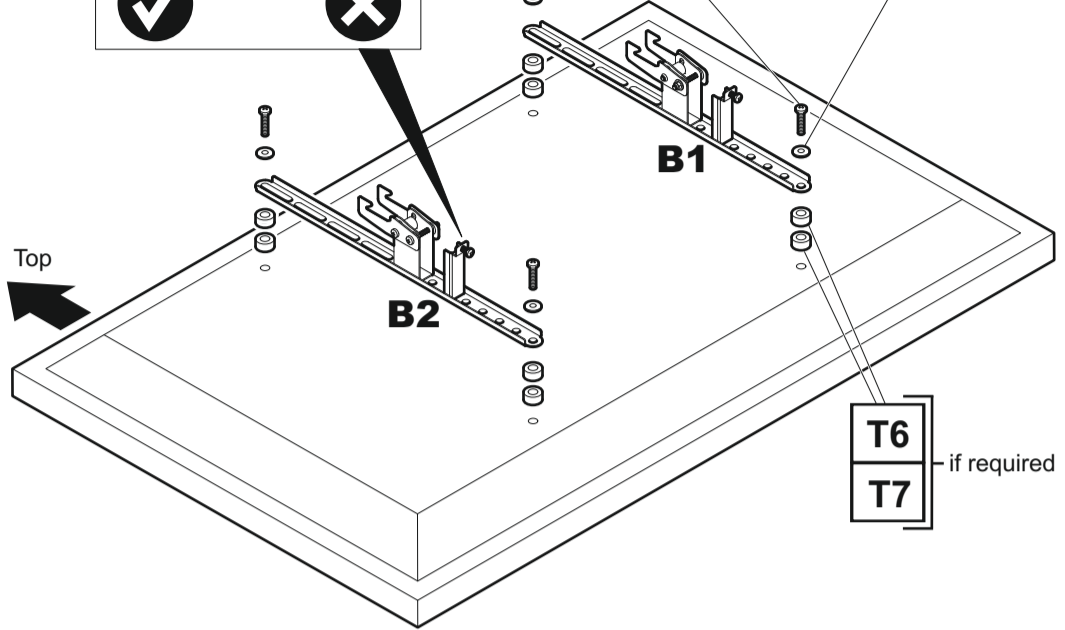
**Yes**  
TV has irregular or obstructed back



## 3 Fitting the TV Brackets

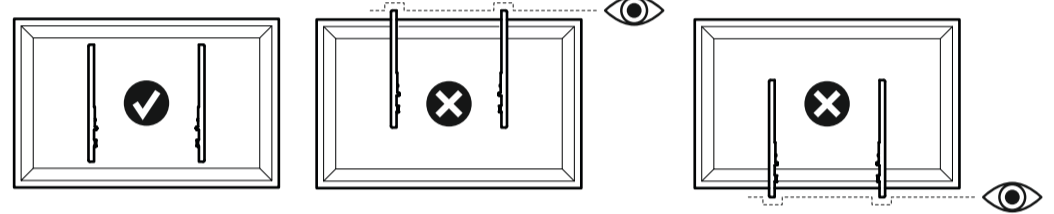


Top



Do you need T5?

Ensure TV Brackets **B1** and **B2** do not protrude at the top or bottom of your TV



Attach the bracket to the back of your TV using a suitable combination of screw, washer and spacer combinations. **DO NOT OVERTIGHTEN!**

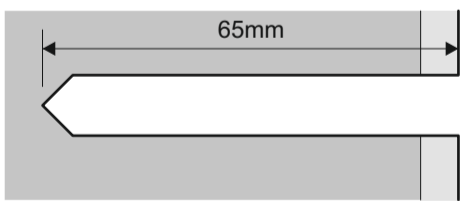
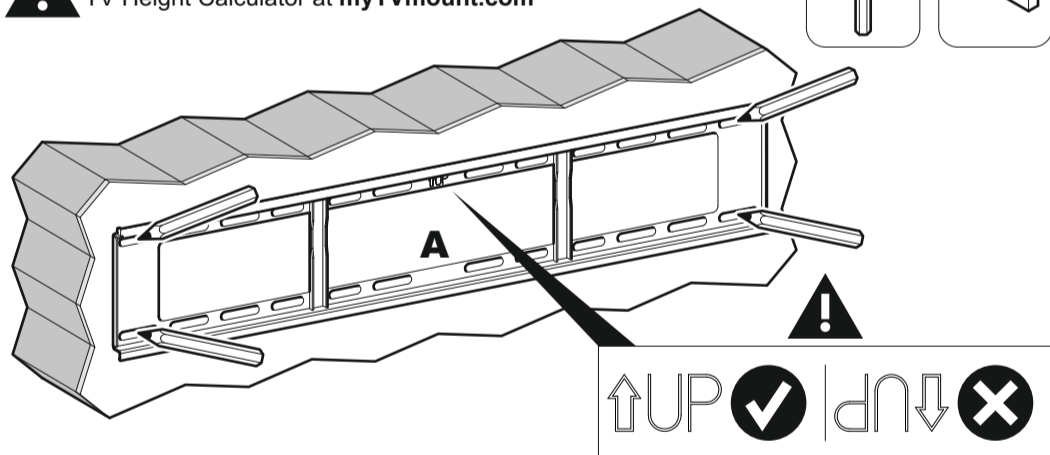
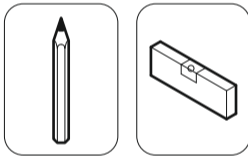


After completing step 3 you will have fittings left over, please keep in a safe place for future reference

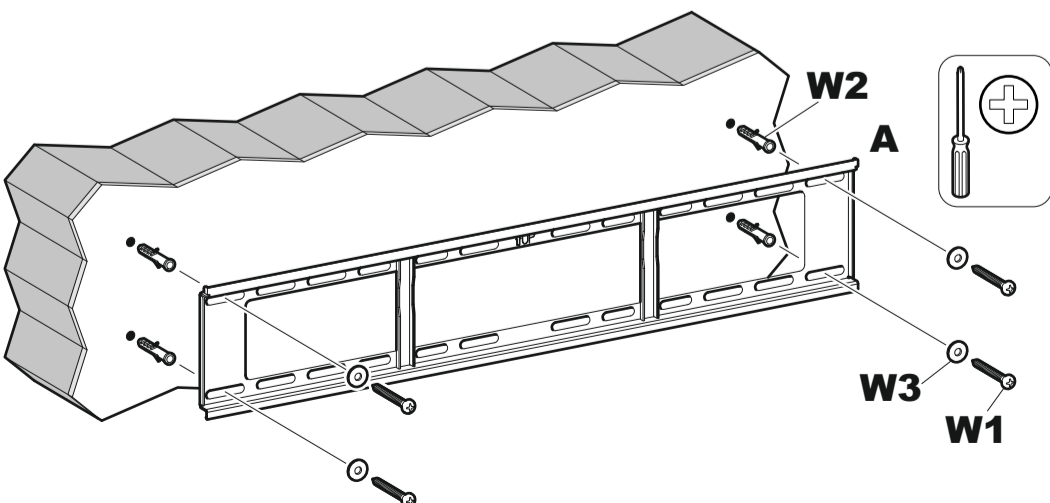
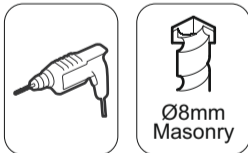
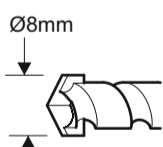
## 4 Solid Wall



Get it right with our easy to use online TV Height Calculator at [myTVMount.com](http://myTVMount.com)



Remove dust from hole



Tighten with hand tools only

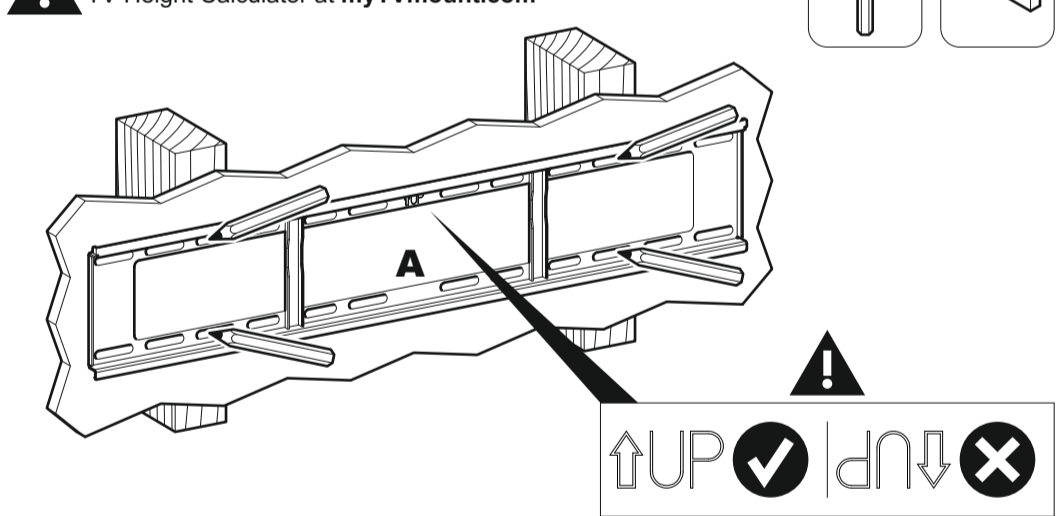
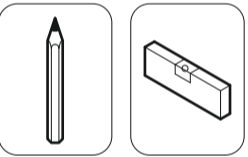


Lubricate screw thread with soap

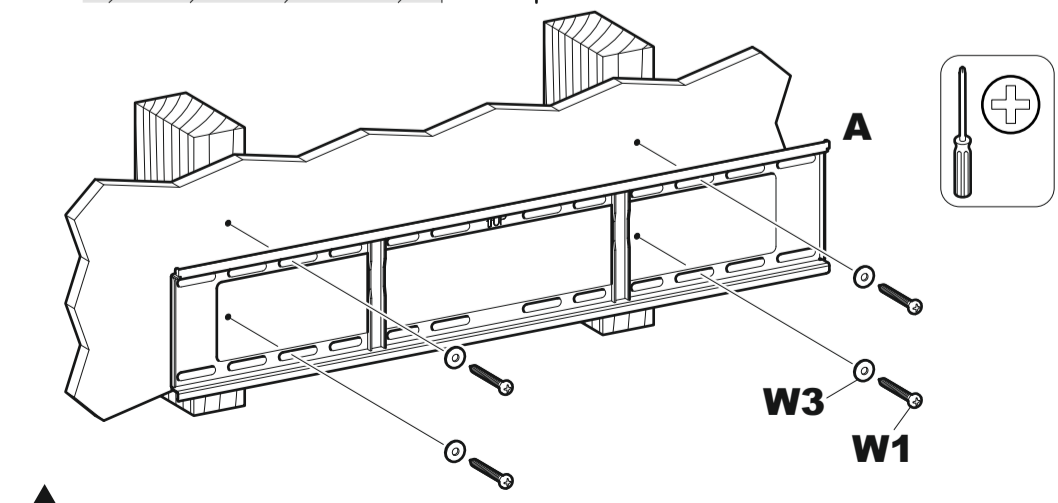
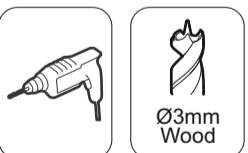
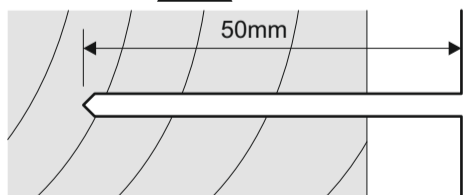
## 4 Wood Stud



Get it right with our easy to use online TV Height Calculator at [myTVMount.com](http://myTVMount.com)



Ensure drill marks are in the centre of the wood stud



Do not use **W2** wall plugs in wood stud



Tighten with hand tools only



Lubricate screw thread with soap