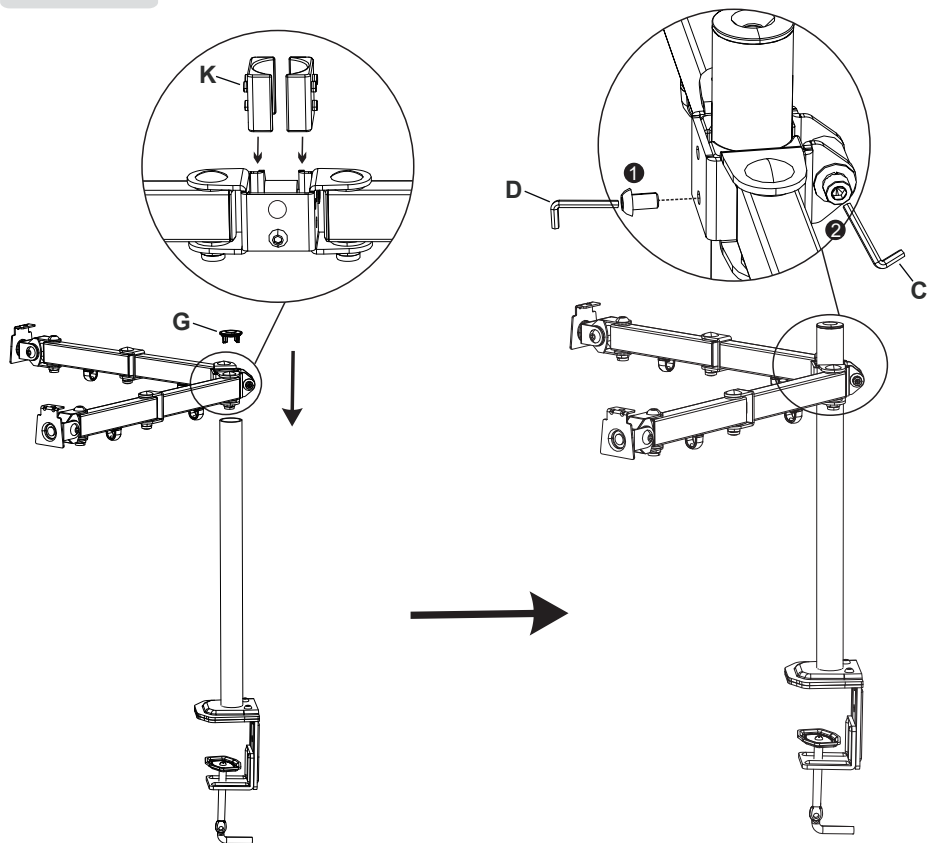
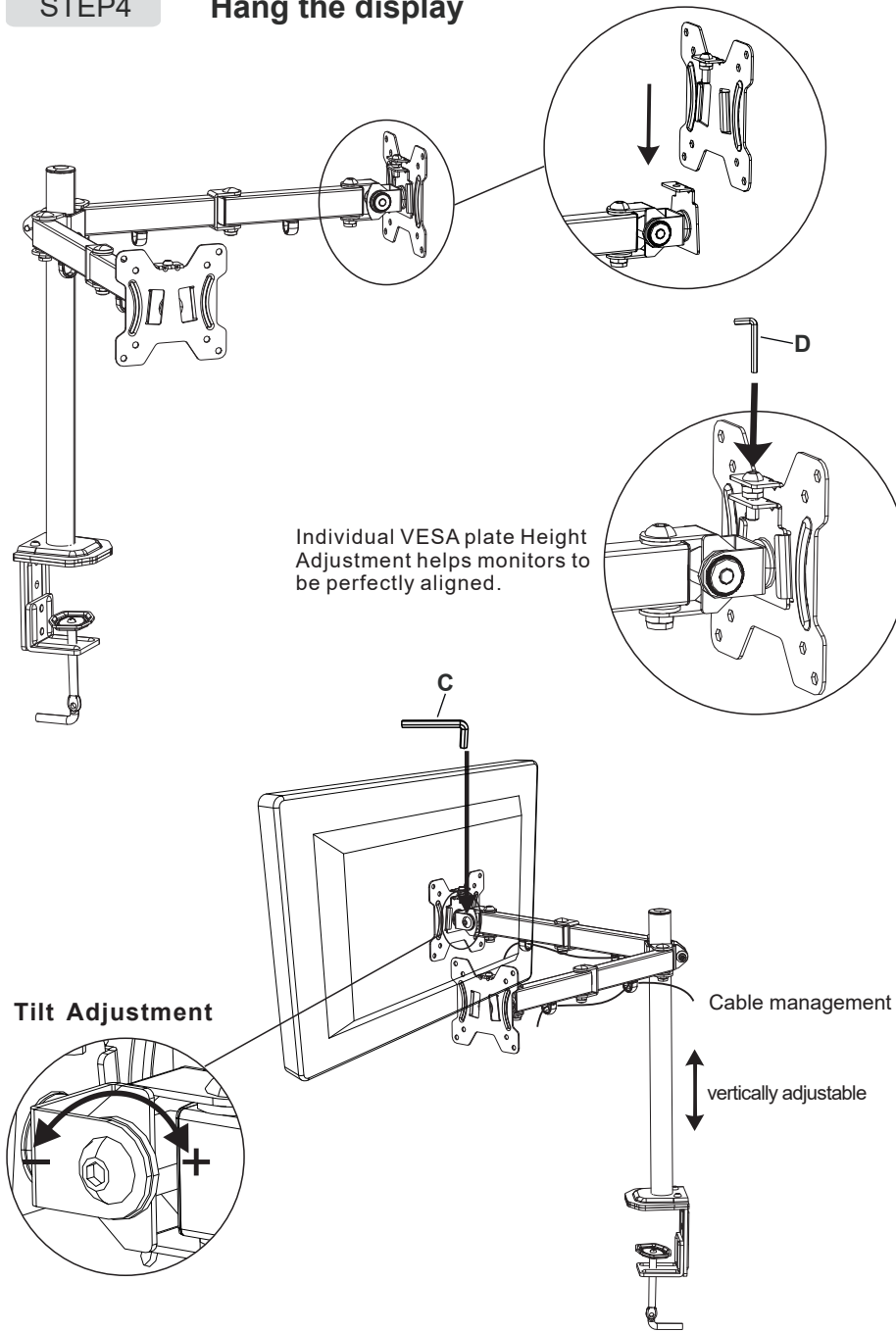


STEP2 Arm assemble



STEP4 Hang the display



STEP3 Installing the lcd

