

www.avfgroup.com

468438 rev00



Read through **ALL** instructions before commencing installation.

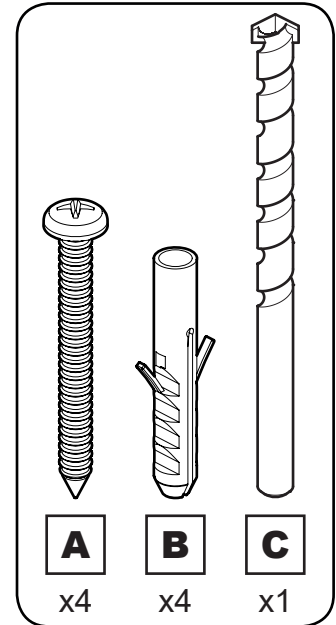
If you have any questions about this product or issues with installation, contact the customer services help line before returning this product to the store.

This product is intended for indoor use only. Use of this product outdoors could lead to failure and personal injury.

It is the responsibility of the installer to ensure that the fixings used are appropriate for wall type and intended max load.

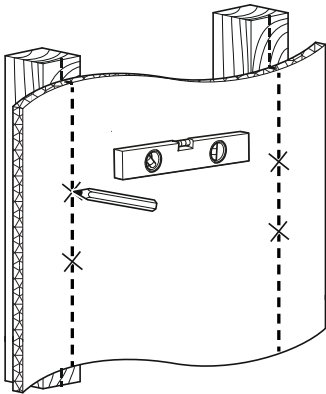
It is the responsibility of the installer to ensure that the mounting wall is of a suitable standard and void of any services (eg gas, electricity, water etc).

AVF accept no responsibility for any damage or loss caused by installing this product in a substandard wall.

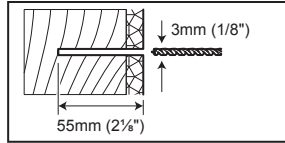


CUSTOMER SERVICES HELP LINE NUMBER: **0333 320 0463 (UK)**

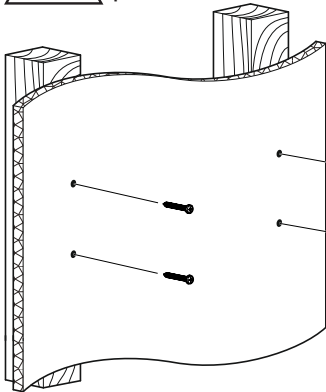
Wood Stud



Ensure drill marks are in the centre of the wood stud.



Make sure the drill marks are level and in the correct position before drilling.

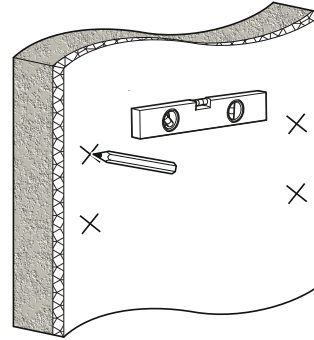


A



DO NOT overtighten screws. Tighten screws by hand only.

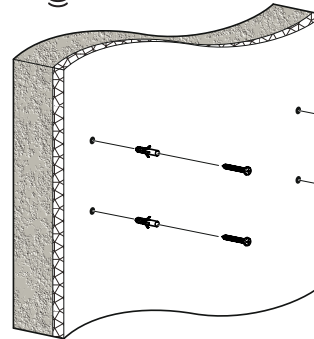
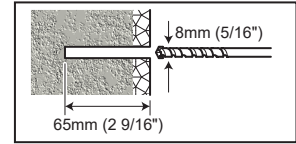
Solid Wall



Make sure the drill marks are level and in the correct position before drilling.



Remove Dust from Hole.



B

A



DO NOT overtighten screws. Tighten screws by hand only.