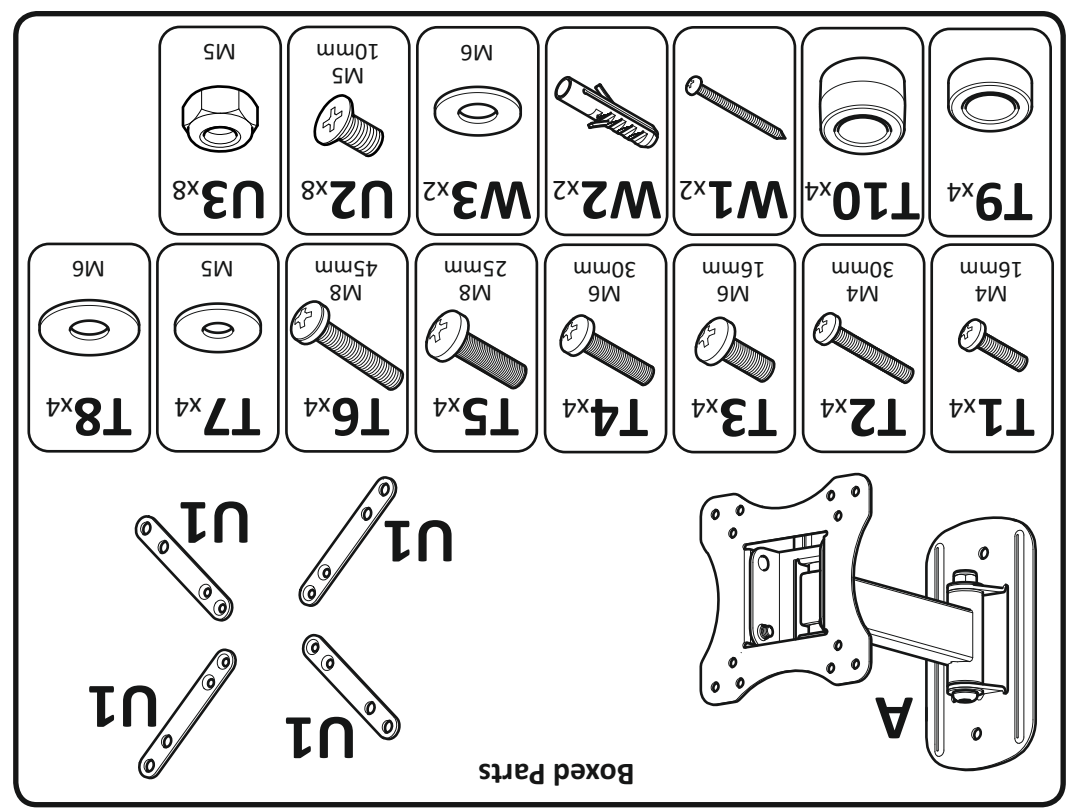
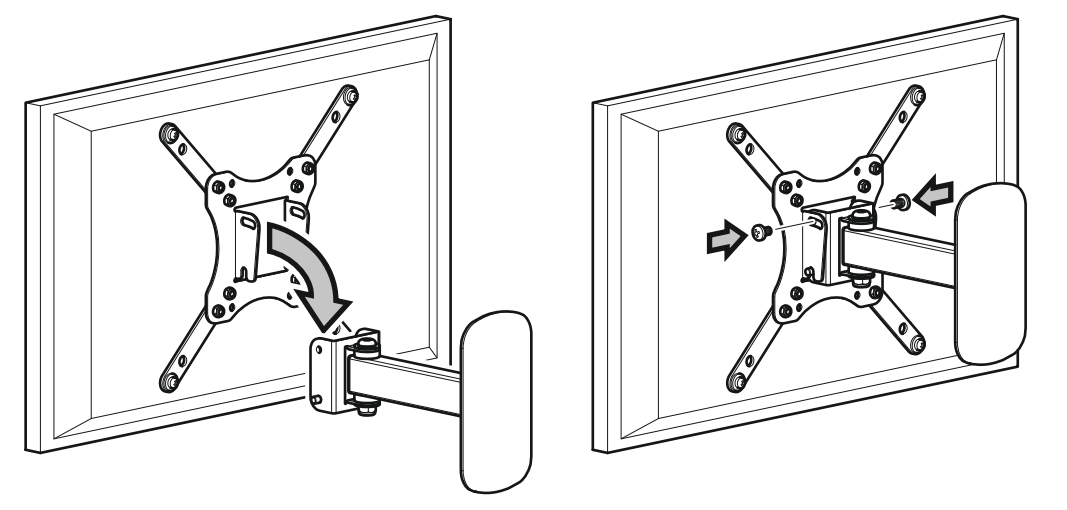


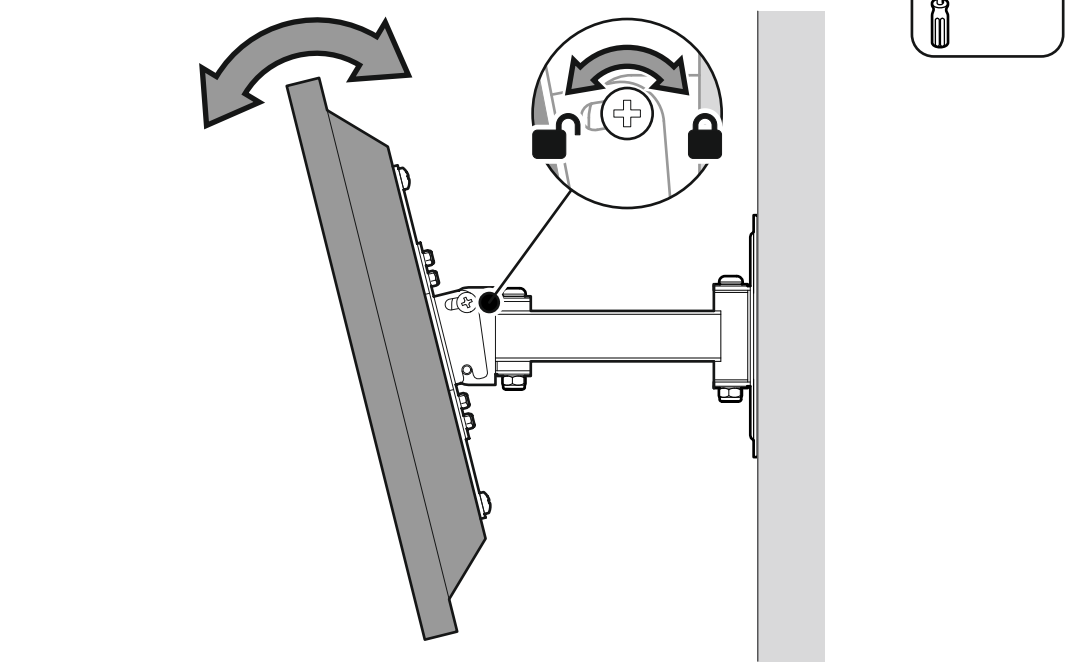
1 Separating the Brackets



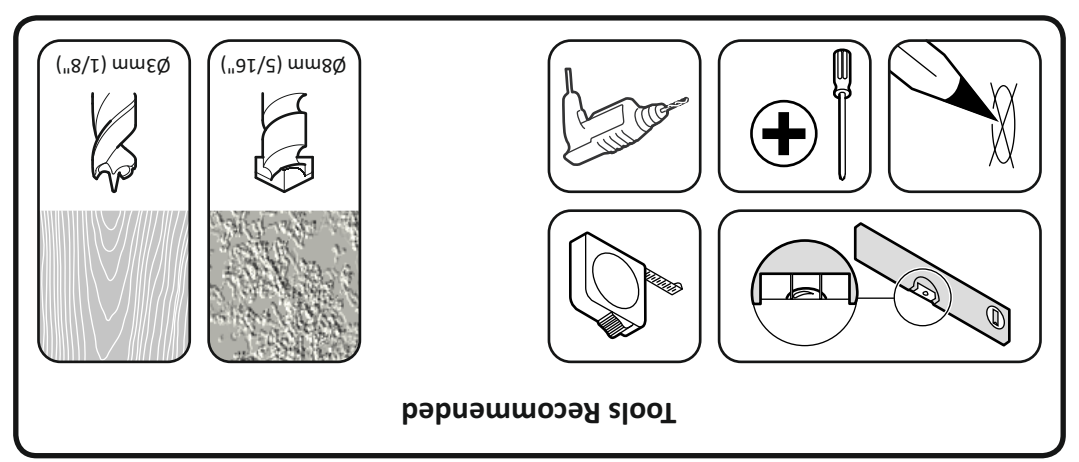
5 Connecting the TV



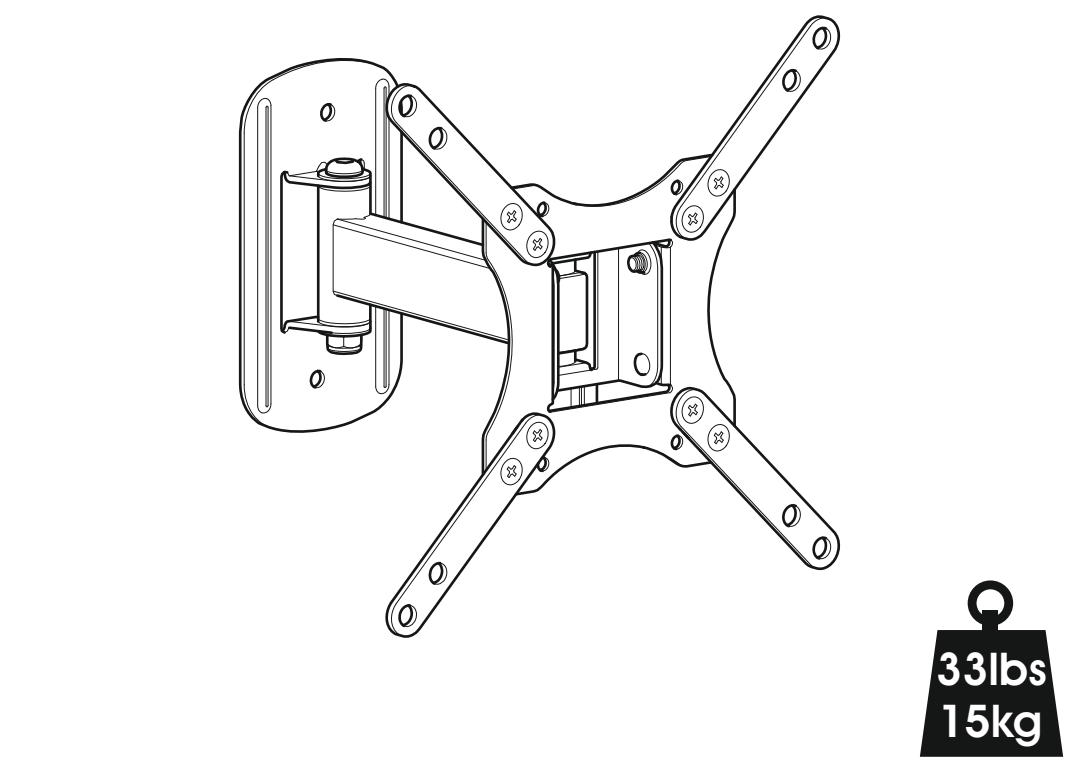
6 Optional - Lock Tilt



Periodically check all nuts and bolts are tight.
 AVF accept no responsibility for any damage or loss caused by installing this product in a sub standard wall.
 It is the responsibility of the installer to ensure that the mounting wall is of a suitable standard and void of any services (eg gas, electricity, water etc).
 This product is intended for indoor use only. Use of this product outdoors could lead to failure and personal injury.
 You will not need all these parts, so expect there to be some left over depending upon the specification of your TV.
 Contents may vary from photography/illustrations.
 Retain all packaging in case the bracket needs to be returned.



468363 rev00



STOP Read through ALL instructions before commencing installation.

Please don't return me to the store
 If you are unsure or need advice please contact our support team:
0333 320 0463 or **avfgroup.com**
 Phone lines open Mon-Fri during AVF office hours

2 Preparing the TV Bracket

i

100mm
75mm
100mm

ii

200mm
100mm

iii

200mm
200mm

+ **Ø8mm (5/16")**

U2x8
M5
10mm

U3x8
M5

3 Fitting the TV Bracket

+

Top

Top

T9x4

T10x4

T1x4
M4
16mm

T2x4
M4
30mm

T3x4
M6
16mm

T4x4
M6
30mm

T5x4
M8
25mm

T6x4
M8
45mm

T7x4
M5

T8x4
M6

X

✓

TV

T1/T2+T7	T1/T2+T7+T9/T10
T3/T4+T8	T3/T4+T8+T9/T10
T5/T6	T5/T6+T9/T10

TV

TV

4 Fitting the Wall Bracket to a Solid Wall

✓ **X**

Concrete

65mm (29/16")

X

Remove dust from hole

Ø8mm (5/16")

12.5mm (1/2") Max

✓ **X**

+

W1x2

W2x2

Lubricate screw thread with soap

4 Fitting the Wall Bracket to a Wood Stud Wall

✓ **X**

65mm (29/16")

X

12.5mm (1/2") Min

Ensure bracket is in the centre of the wood stud

+

W1x2

Lubricate screw thread with soap