

This will be honoured as long as the product is owned by the original consumer purchaser. Proof of purchase is required.

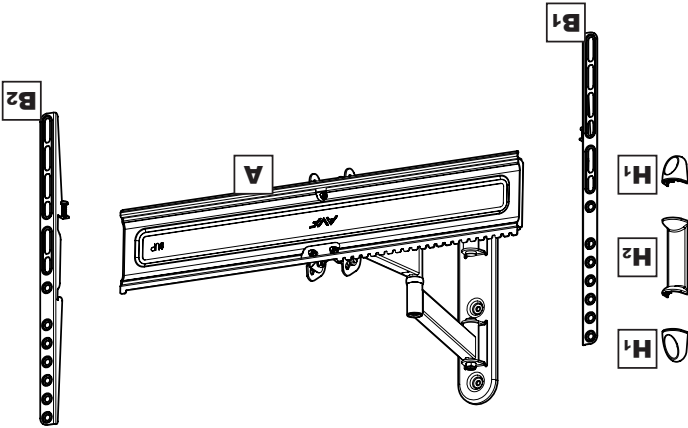
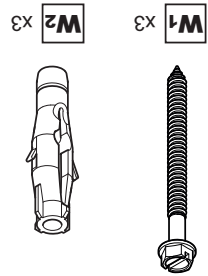
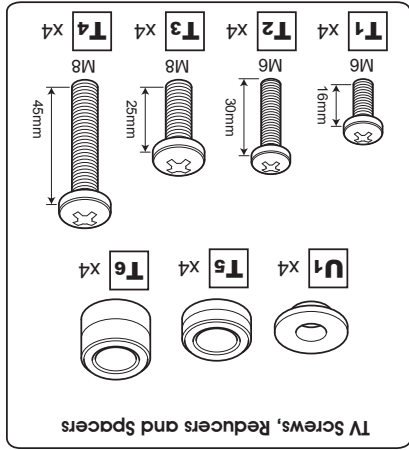
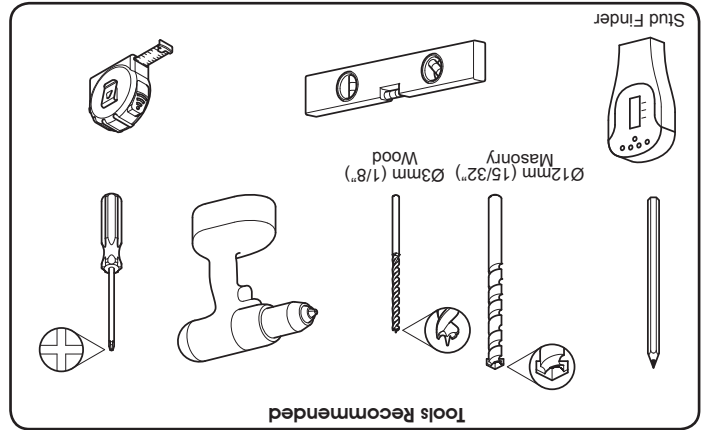
This product comes with a 10 Year Warranty.

10 YEAR WARRANTY

AVF accept no responsibility for any damage or loss caused by installing this product to a sub standard wall.
 It is the responsibility of the installer to ensure that the mounting wall is of a suitable standard and void of any services (eg gas, electricity, water etc).
 This product is intended for indoor use only. Use of this product outdoors could lead to failure and personal injury.
 You will not need all these parts, so expect there to be some left over depending upon the specification of your TV.

Contents may vary from photography/illustrations.

Retain all packaging in case the bracket needs to be returned.

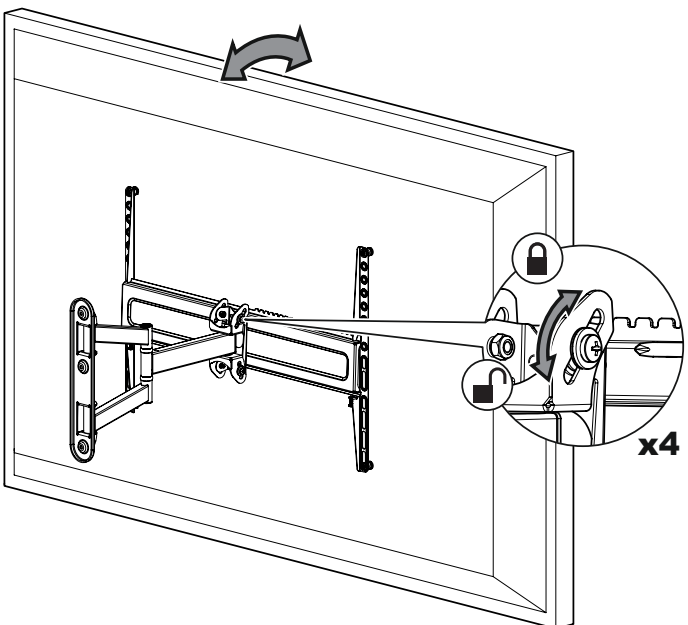


Boxed Parts

6 Tilt

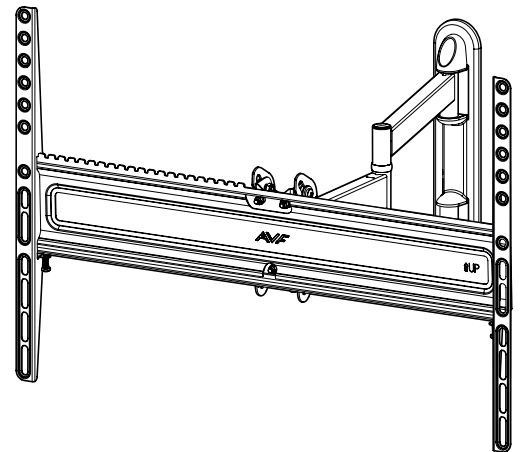
Adjust screws to achieve perfect tilt resistance if required.

! DO NOT overtighten



www.avfgroup.com

468348 rev00



50kg
110lbs

STOP Read through **ALL** instructions before commencing installation.

Please don't return me to the store

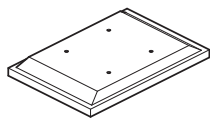
If you are unsure or need advice please contact our **UK-based support team:**

 **0333 320 0463** | avfgroup.com
 Phone lines open Mon-Fri during AVF office hours

2 Fitting the TV Brackets

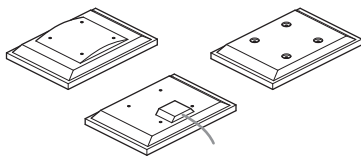
No Spacers

For TVs with flat / unobstructed back.

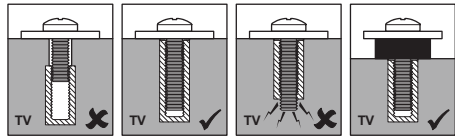


Spacers **T7/T8**

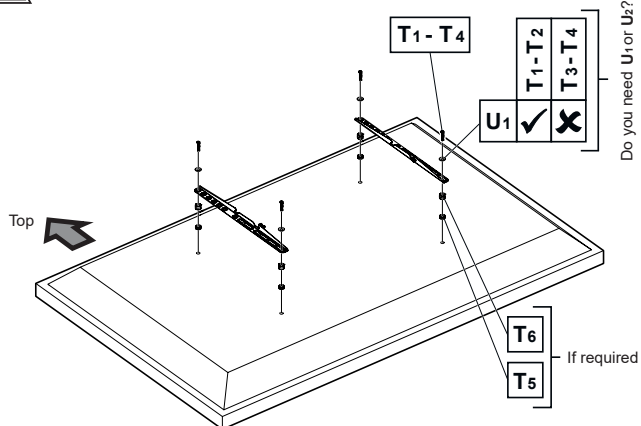
For TVs with irregular / obstructed back.



WARNING

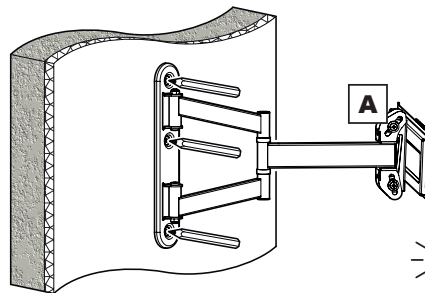


After completing step 2 you will have fittings left over, please keep for future reference.

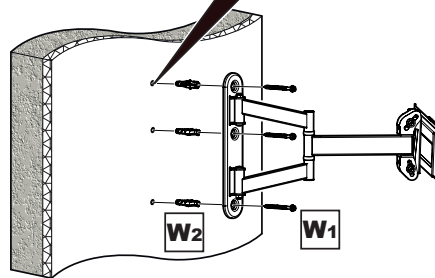
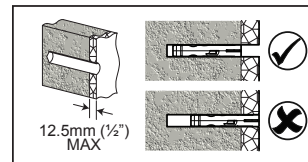


Attach the bracket to the back of your TV using suitable screw, reducer and spacer combinations.

3 Fitting the Wall Bracket to a Solid Wall



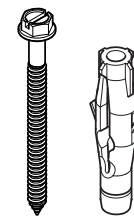
Remove Dust from Hole.



Lubricate screw thread with soap.

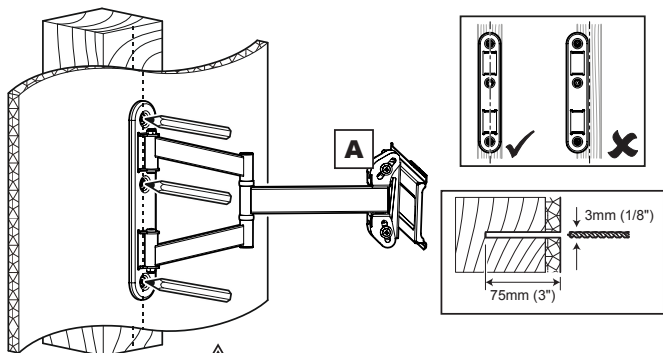


DO NOT overtighten screws. Tighten screws by hand only.

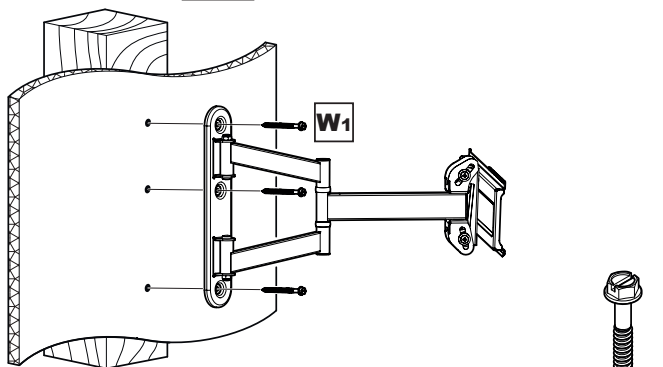


W1 x3 **W2** x3

3 Fitting the Wall Bracket to a Wood Stud Wall



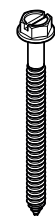
Ensure drill marks are in the centre of the wood stud.



Lubricate screw thread with soap.

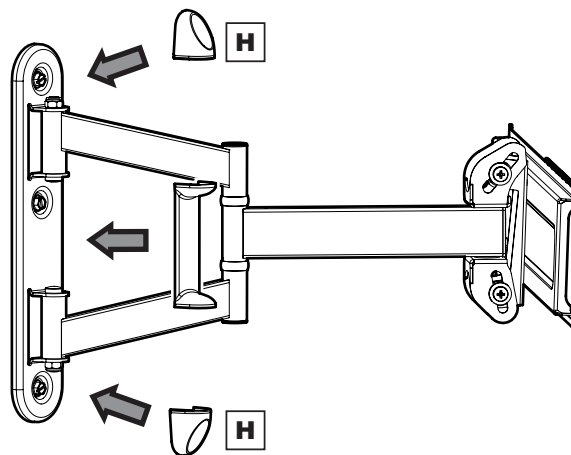


DO NOT overtighten screws. Tighten screws by hand only.

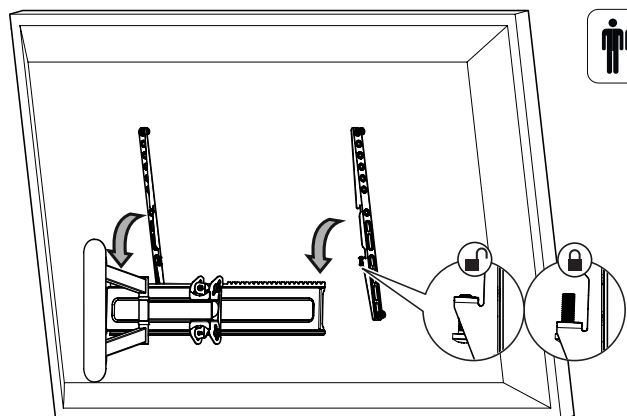


W1 x3

4 Fitting the Wall Bracket Covers



5 Connecting the TV



Please turn over for Step 6