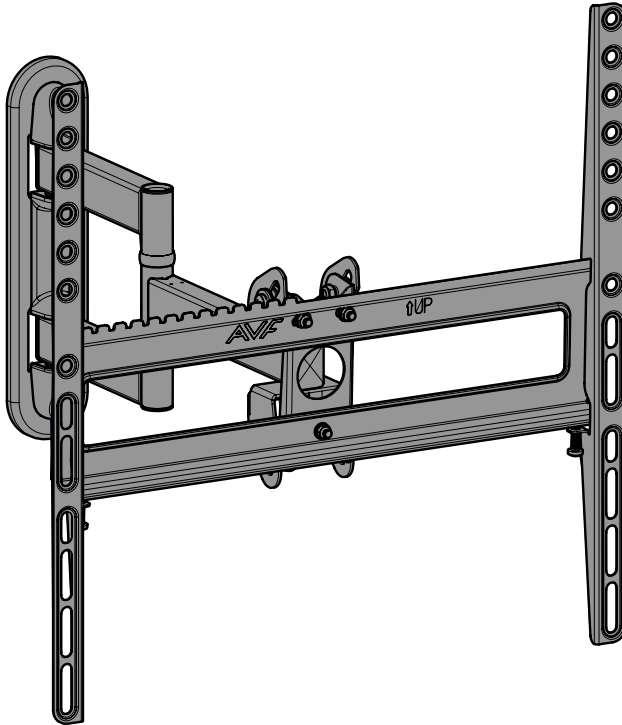




Please read these instructions thoroughly before installation.



**Please don't return me to the store**

If you are unsure or need advice  
please contact our **UK-based support team:**



**0333 320 0463 | avfgroup.com**

Phone lines open Mon-Fri during AVF office hours

Retain all packaging in case the bracket needs to be returned.

Contents may vary from photography/illustrations.

You will not need all these parts, so expect there to be some left over depending upon the specification of your TV.

This product is intended for indoor use only. Use of this product outdoors could lead to failure and personal injury.

It is the responsibility of the installer to ensure that the mounting wall is of a suitable standard and void of any services (eg gas, electricity, water etc).

AVF accept no responsibility for any damage or loss caused by installing this product in a sub standard wall.



# 10 YEAR WARRANTY

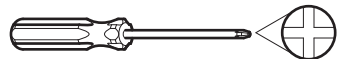
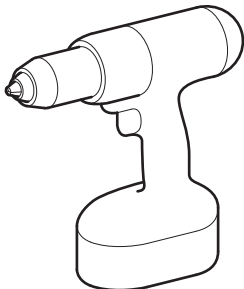
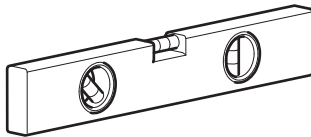
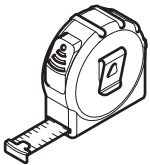


This product comes with a 10 Year Warranty.

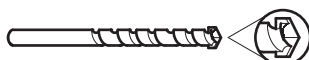
This will be honoured as long as the product is owned by the original consumer purchaser. Proof of purchase is required.

For detailed warranty information please visit: [www.avfgroup.com/warranties](http://www.avfgroup.com/warranties)

## You will need

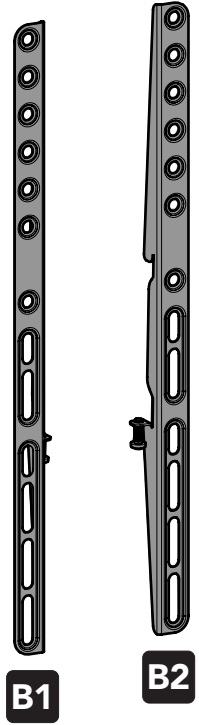
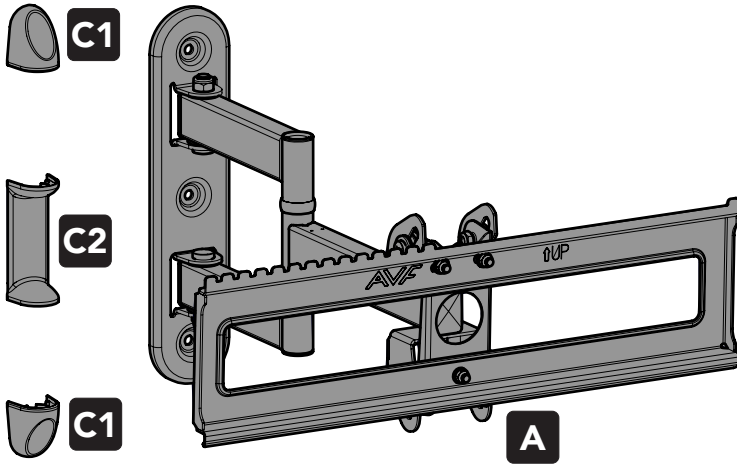


Ø3mm (1/8") Wood

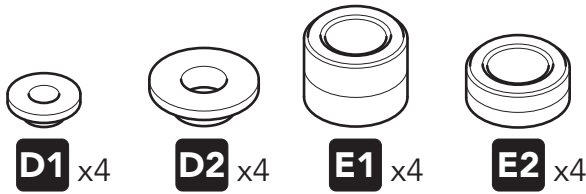


Ø10mm (25/64") Masonry

## Parts Included



## Fixings Included:



**D1** x4

**D2** x4

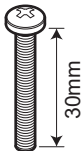
**E1** x4

**E2** x4



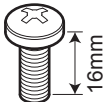
M4

**F1** x4



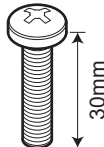
M4

**F2** x4



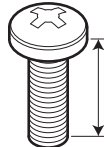
M6

**F3** x4



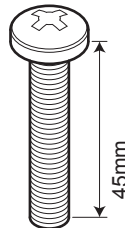
M6

**F4** x4



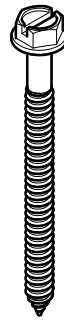
M8

**F5** x4

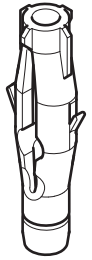


M8

**F6** x4



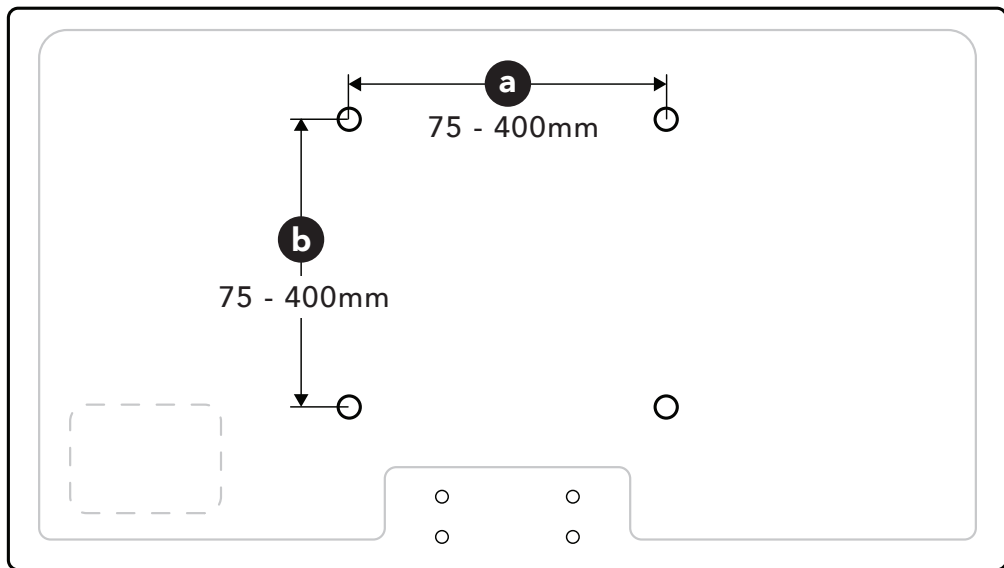
**G** x3



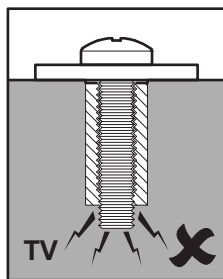
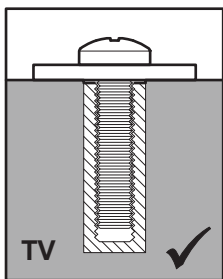
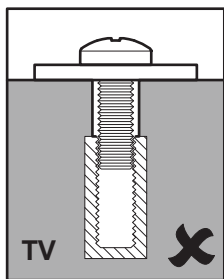
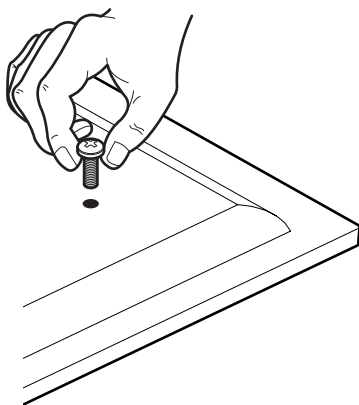
**H** x3

1

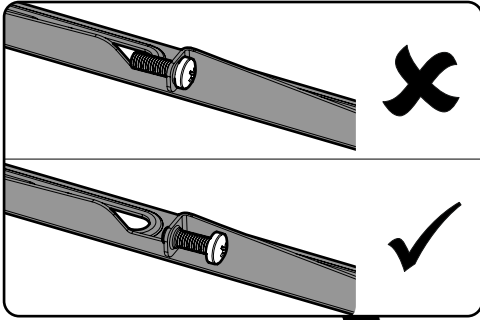
Measure your VESA fixings and select TV Screws



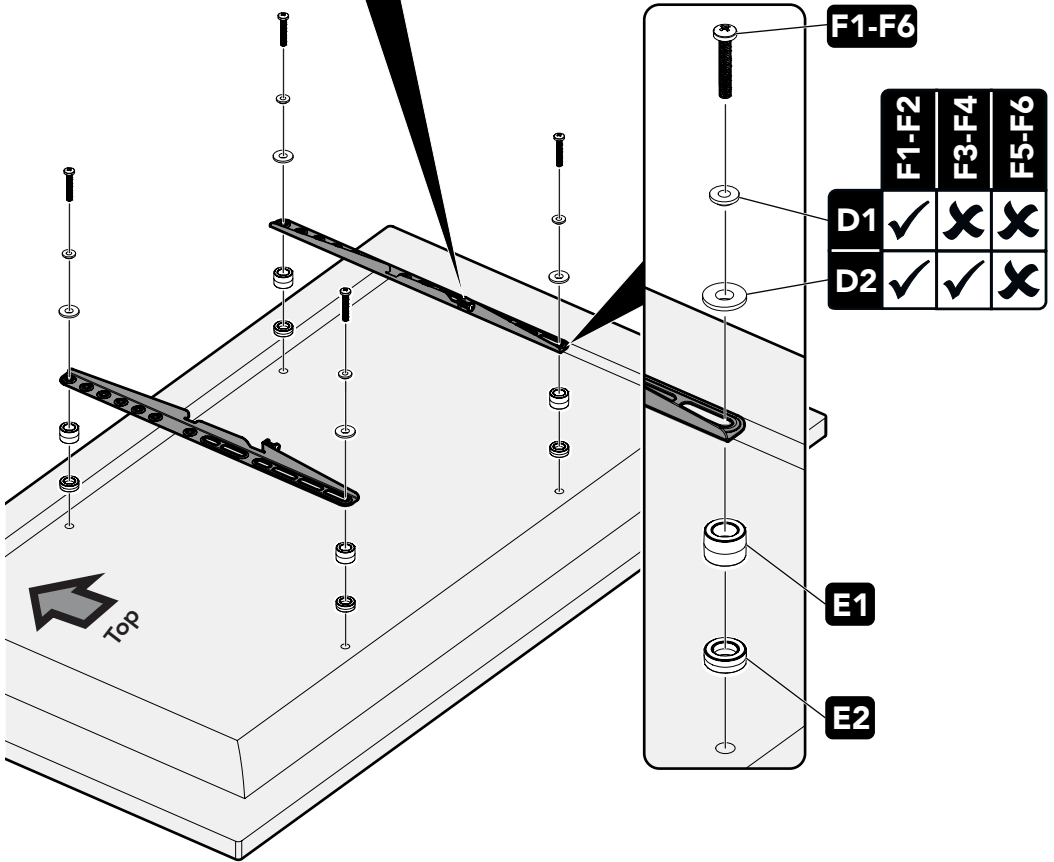
400 x 400mm (MAX).



## 2 Fitting the TV Brackets



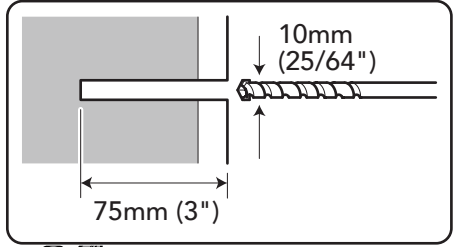
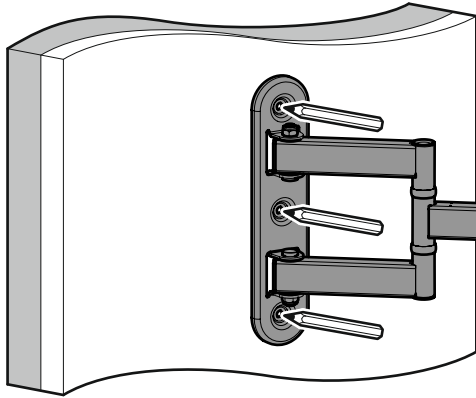
Use the screw that fits the holes on the back of your TV.



You only need to use spacers **E1** or **E2** if the screws are too long or the back of your TV is not flat.

# 3a

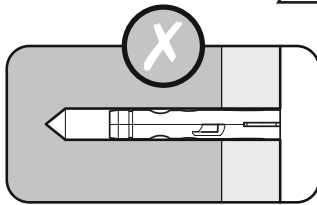
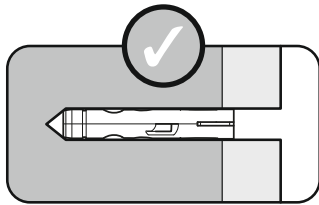
## Solid Wall



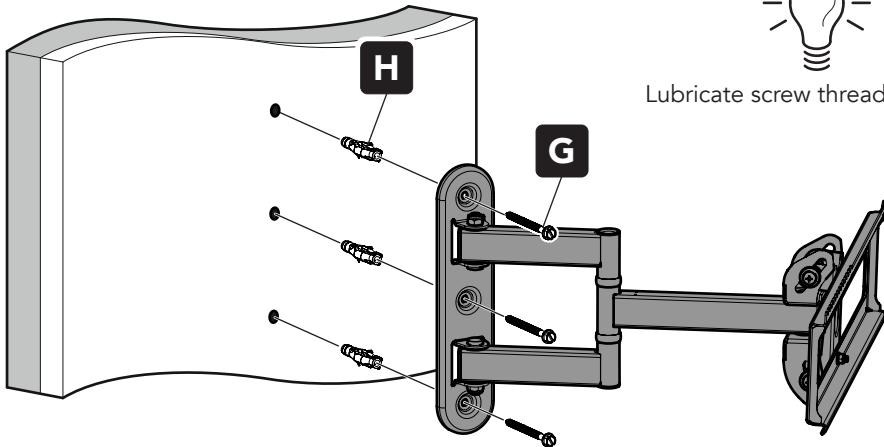
**A**



Remove Dust from Hole



Lubricate screw thread with soap



**H**

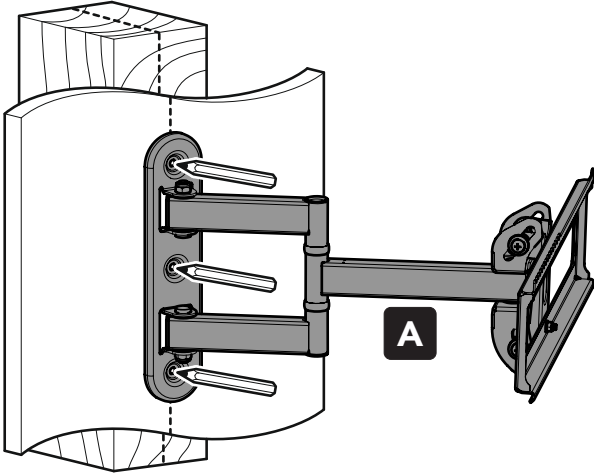
**G**



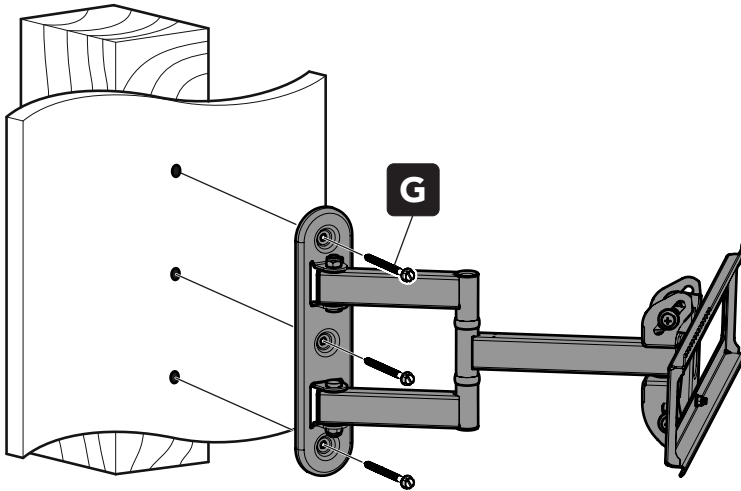
DO NOT overtighten screws. Tighten screws by hand only.

# 3b

## Wood Stud Wall

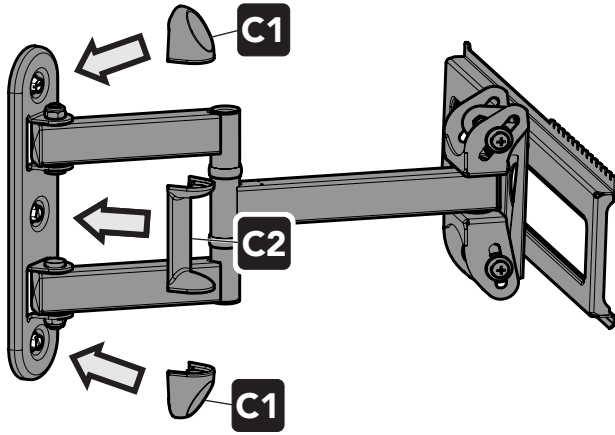


Ensure drill holes are in the centre of the wood studs.

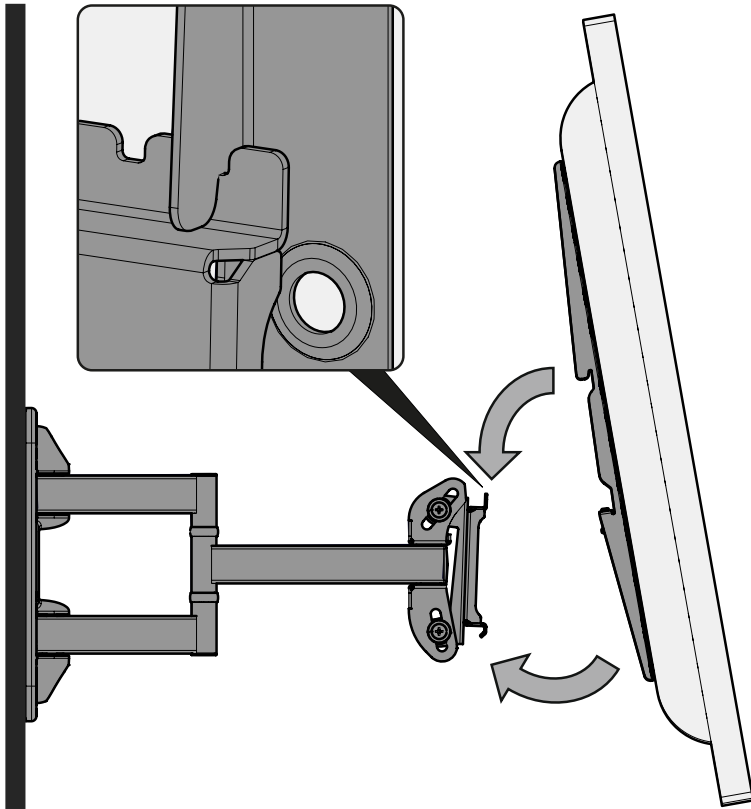


DO NOT overtighten screws. Tighten screws by hand only.

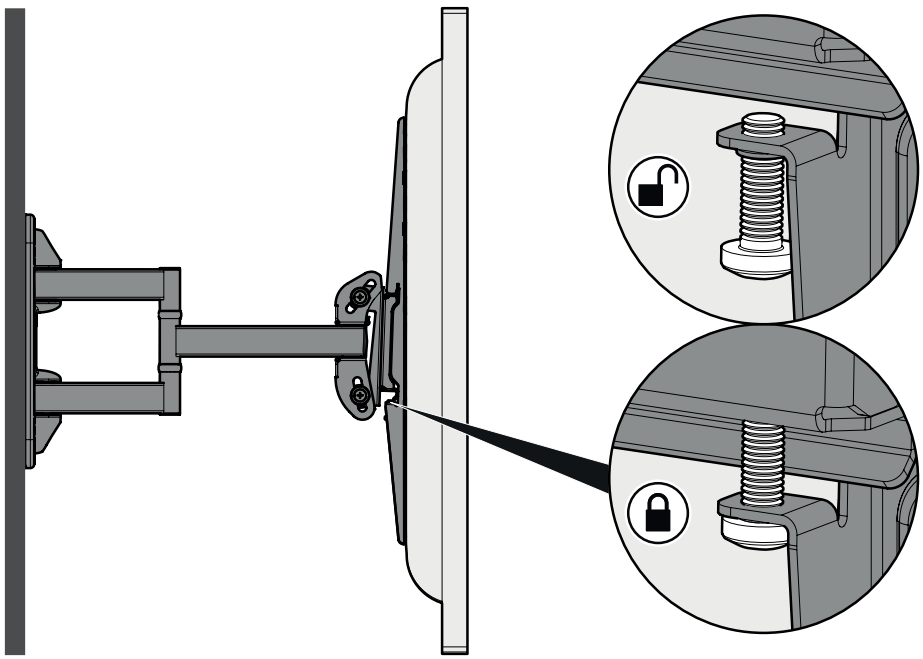
## 4 Fitting the Wall Bracket Covers



## 5 Hanging the TV



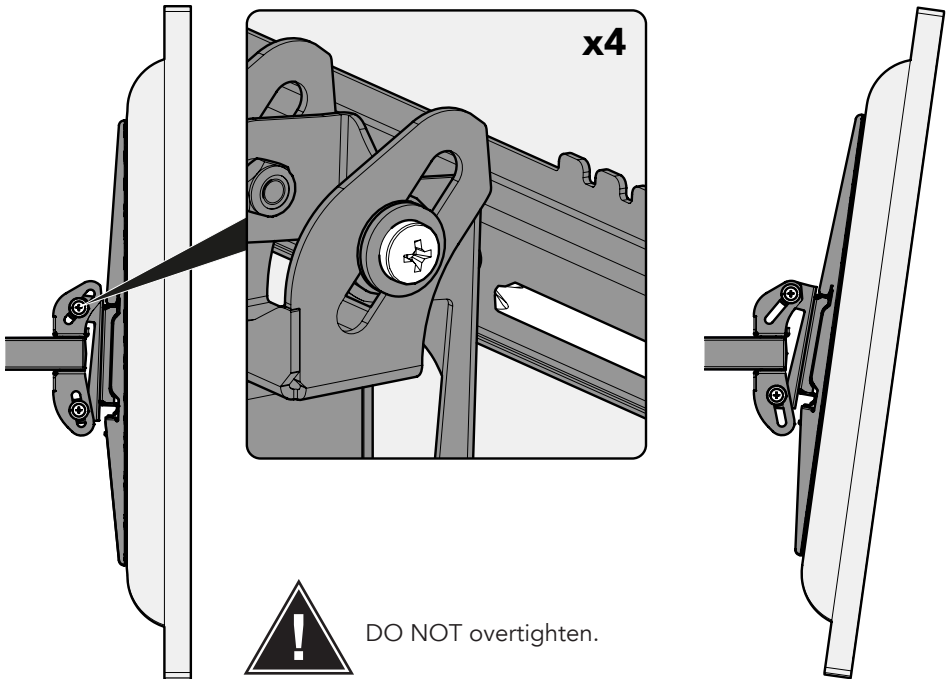




## 6

### Tilt Adjustment

Adjust screws to achieve perfect tilt resistance if required.



# 7

## TV Levelling

Remove the TV, loosen the three nuts and adjust the backplate as required. Re-tighten the three nuts and re-hang your TV.

