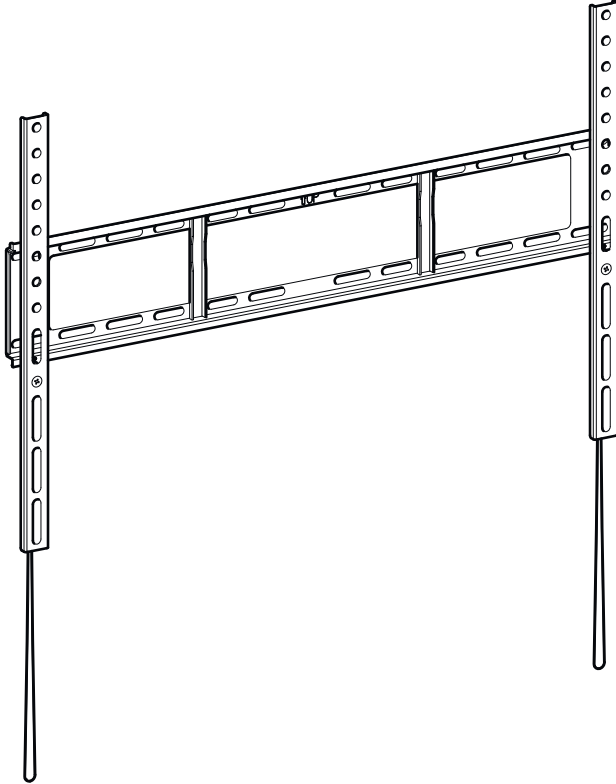


PULSE

TV Wall Mount Flat To Wall 37" to 80"
Model: PLS600



www.pulse-audio.co.uk



Read through ALL instructions before commencing installation.

Retain all packaging in case the bracket needs to be returned.

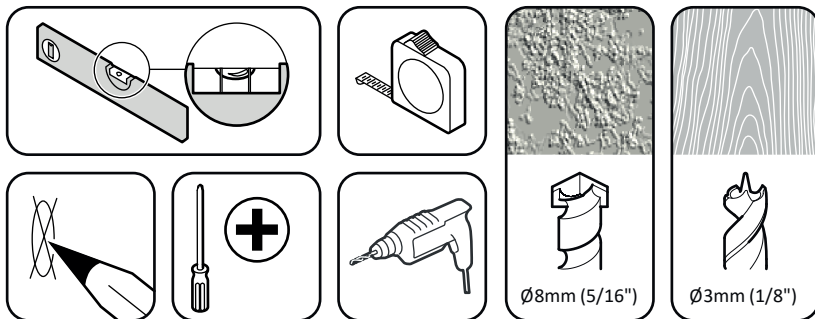
Contents may vary from photography/illustrations.

You will not need all these parts, so expect there to be some left over depending upon the specification of your TV.

This product is intended for indoor use only. Use of this product outdoors could lead to failure and personal injury.

It is the responsibility of the installer to ensure that the mounting wall is of a suitable standard and void of any services (eg gas, electricity, water etc).

Tools Recommended



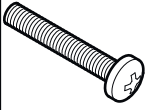
Boxed Parts

T1_{x4}



M6 x 16mm

T2_{x4}



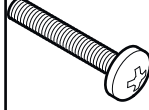
M6 x 30mm

T3_{x4}



M8 x 16mm

T4_{x4}



M8 x 30mm

T5_{x4}



M6

T6_{x4}



T7_{x8}



W1_{x4}



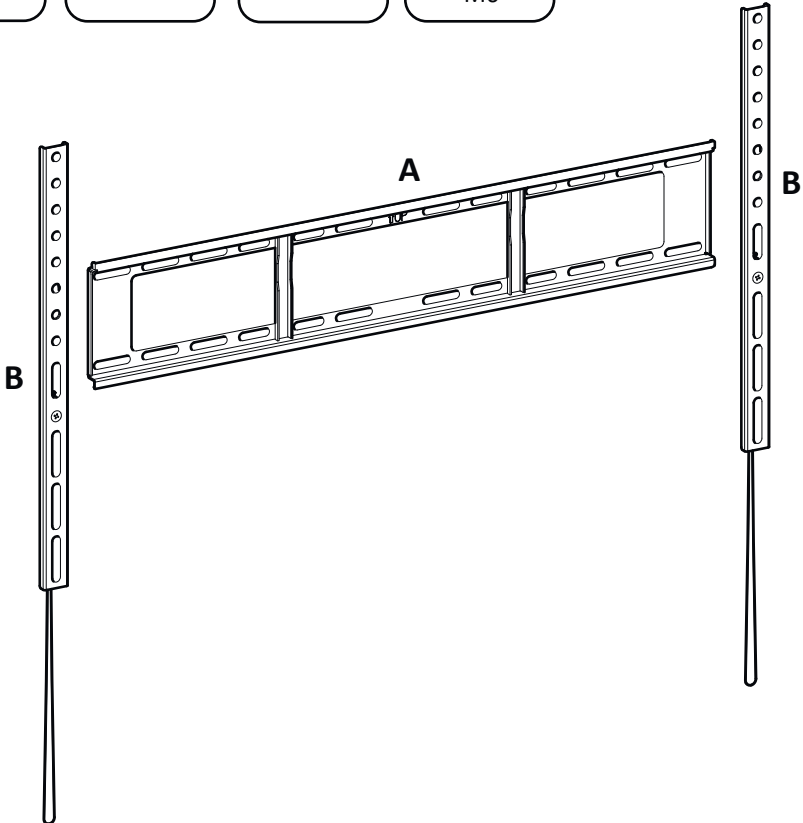
W2_{x4}



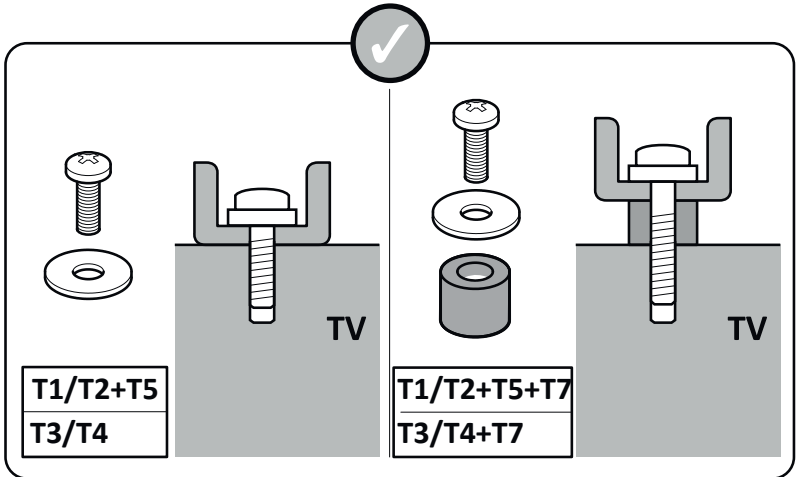
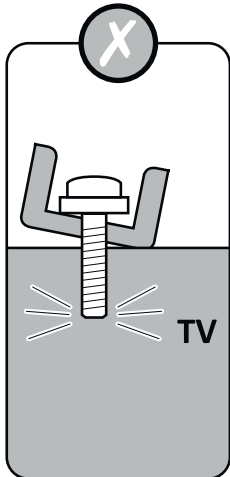
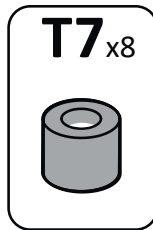
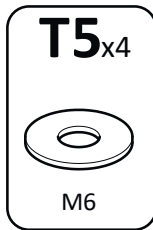
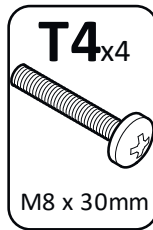
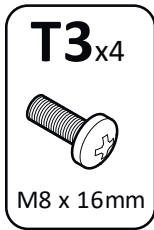
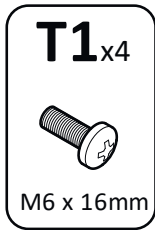
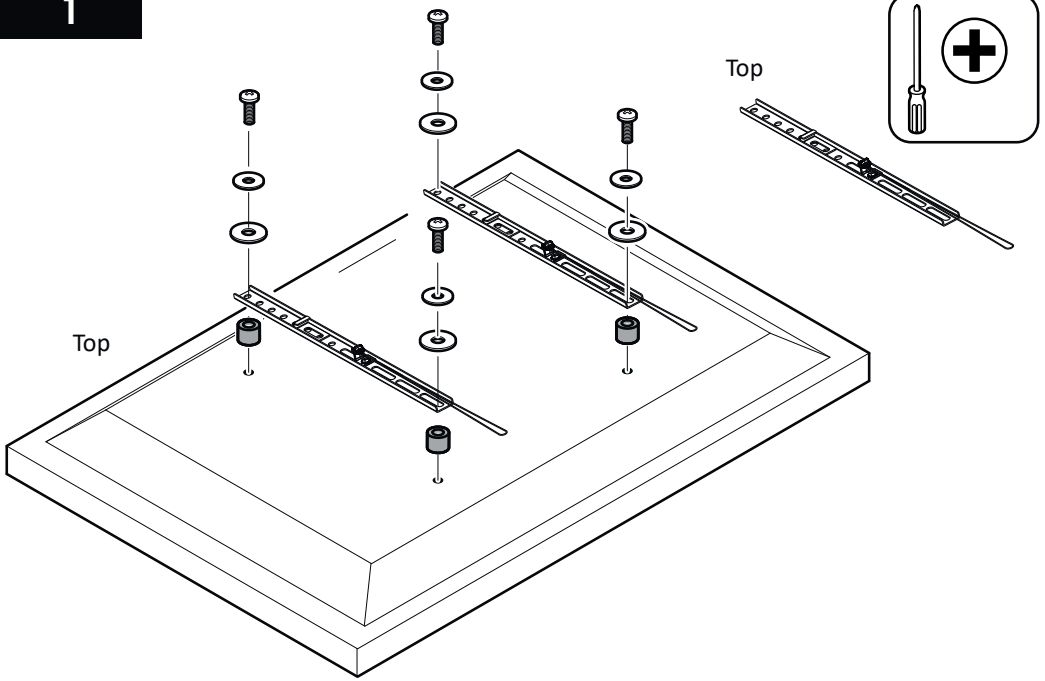
W3_{x4}



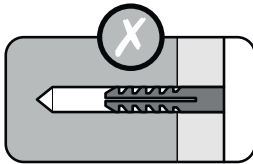
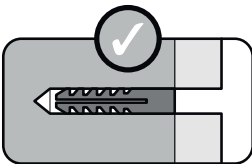
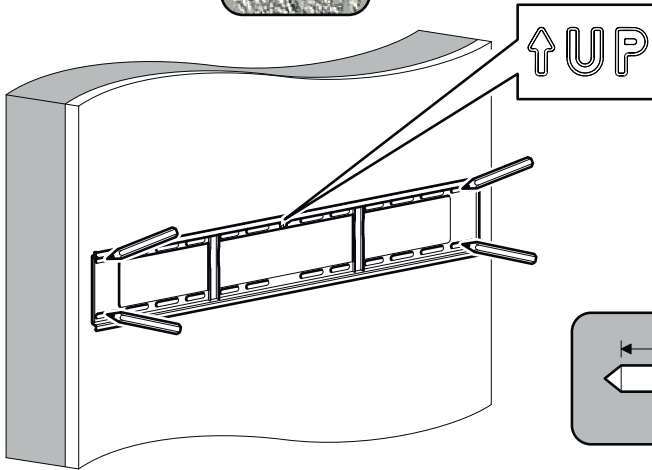
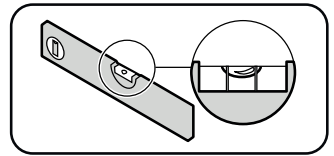
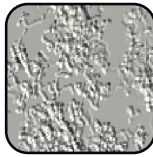
M6



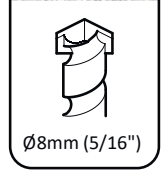
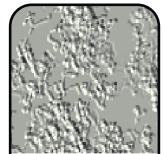
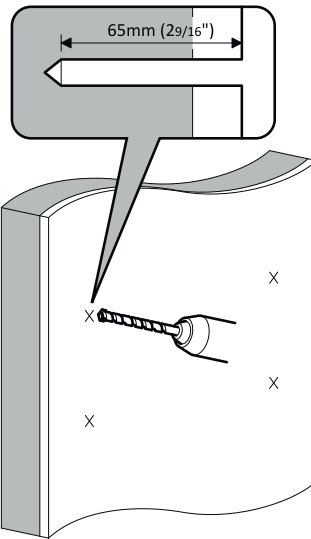
1



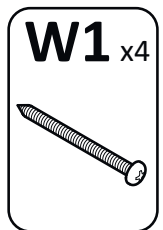
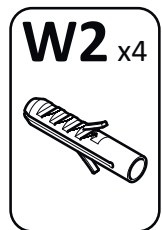
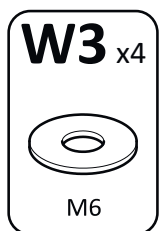
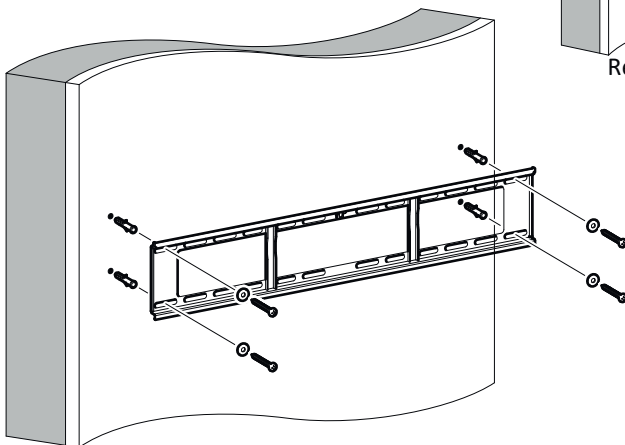
2




Lubricate screw thread with soap

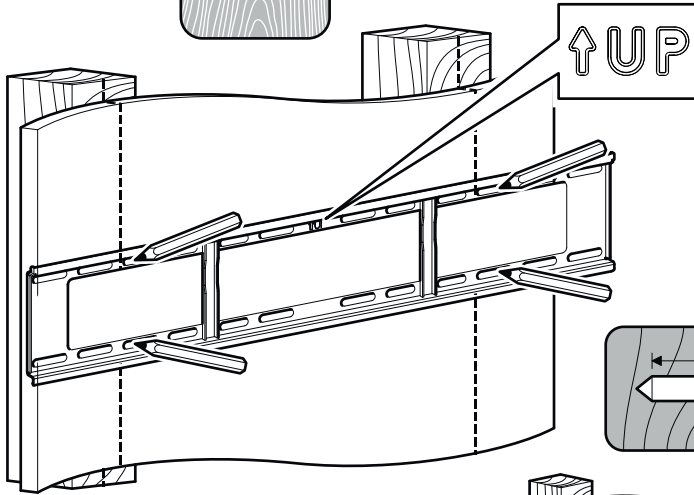


Remove dust from hole

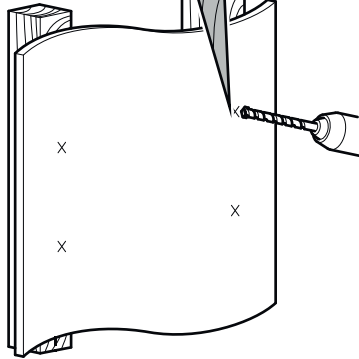
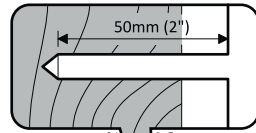


 DO NOT overtighten

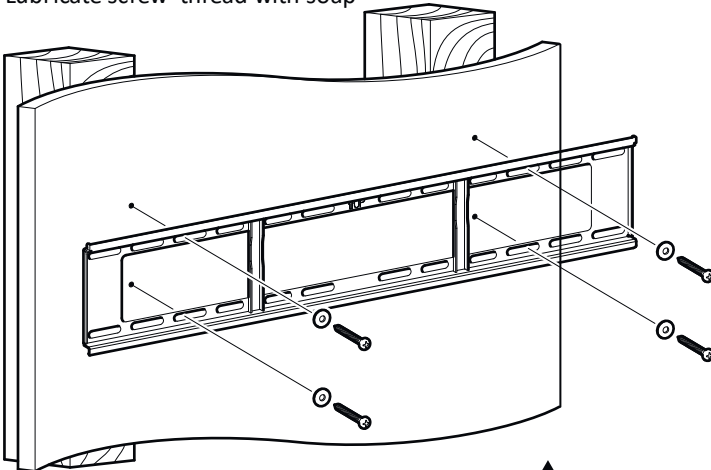
2



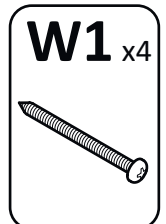
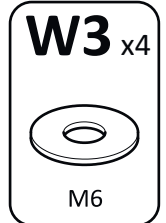
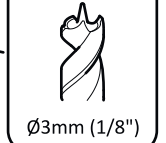
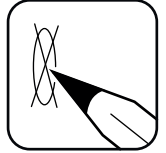
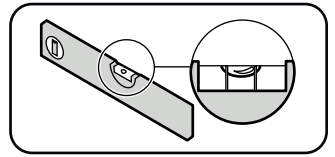
Ensure bracket is in the centre of the wood stud

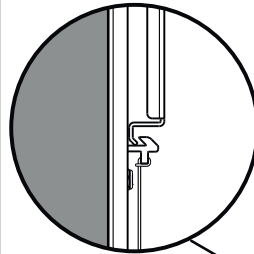
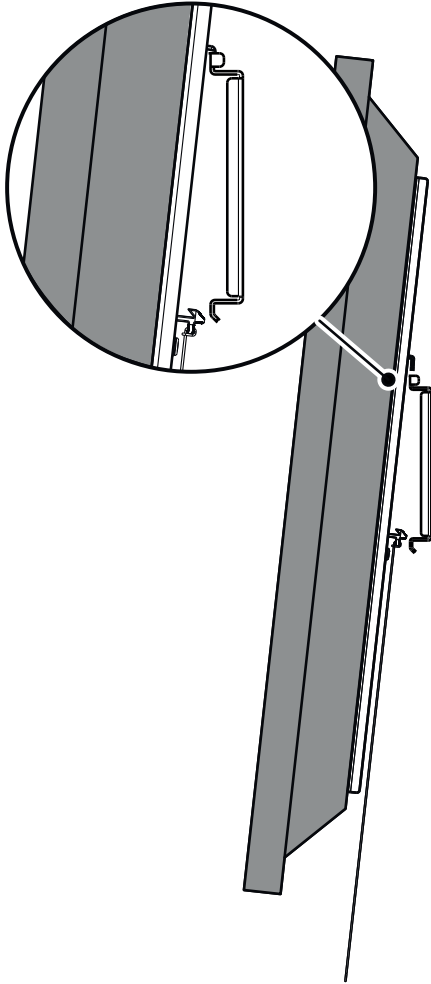


Lubricate screw thread with soap

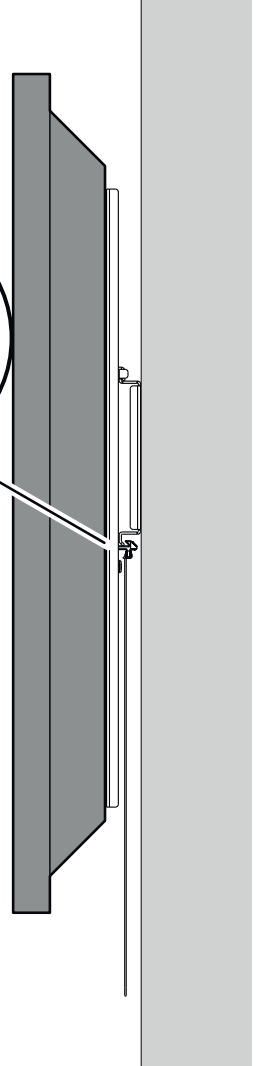


DO NOT overtighten

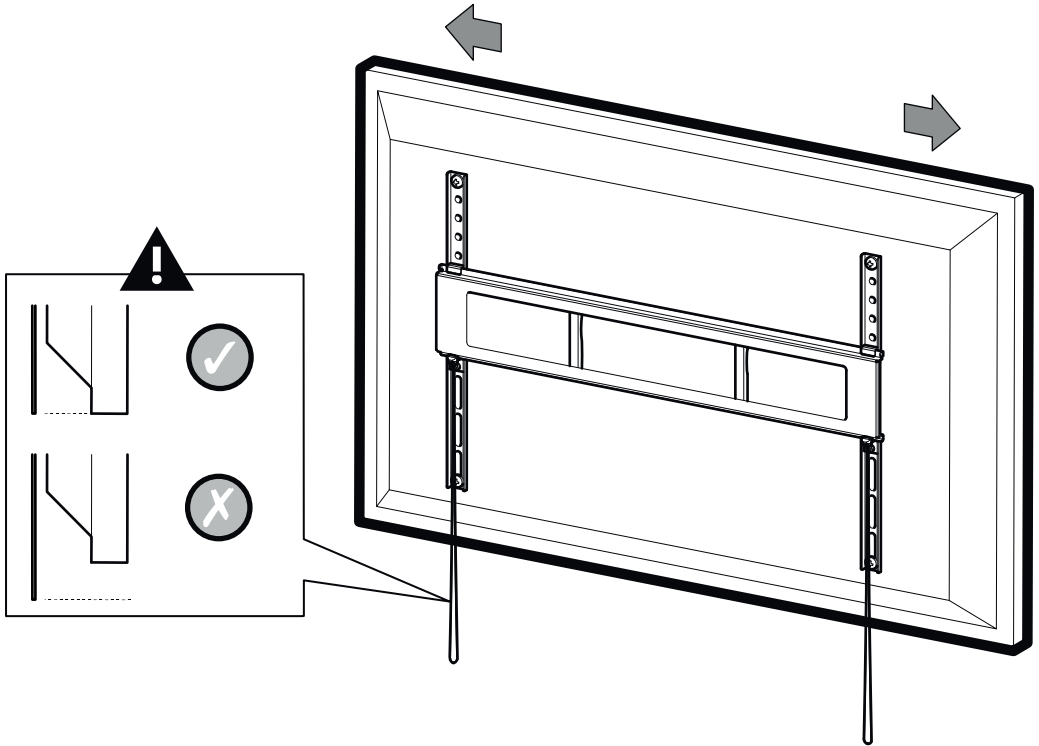




Click!



You can slide your TV horizontally by small amounts if required



When you are happy with the position of your TV, tie the release cords to stop accidental release