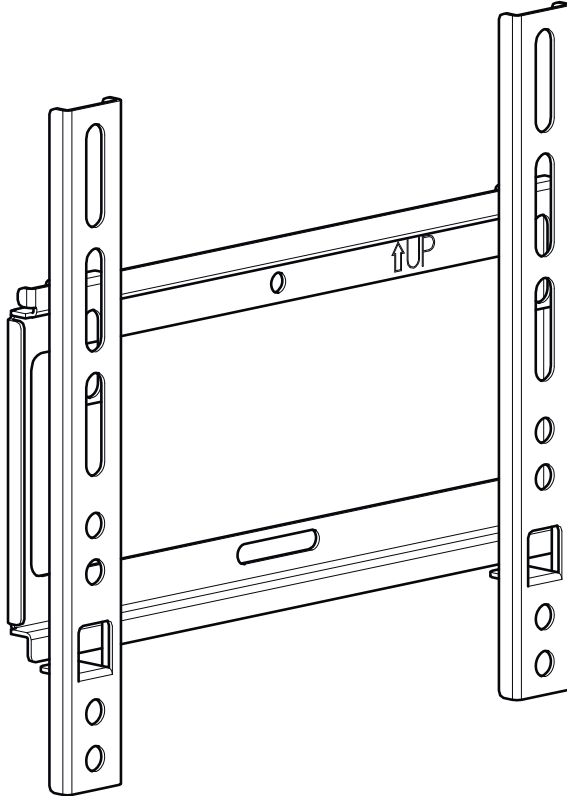


PULSE

TV Wall Mount Flat To Wall Up to 39"
Model: PLS200Q



www.pulse-audio.co.uk



Read through ALL instructions before commencing installation.

Retain all packaging in case the bracket needs to be returned.

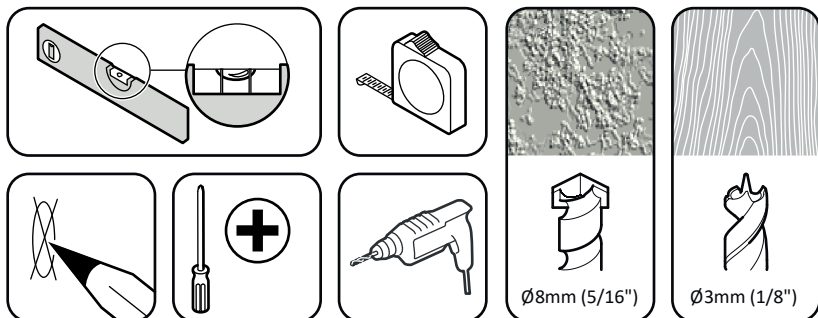
Contents may vary from photography/illustrations.

You will not need all these parts, so expect there to be some left over depending upon the specification of your TV.

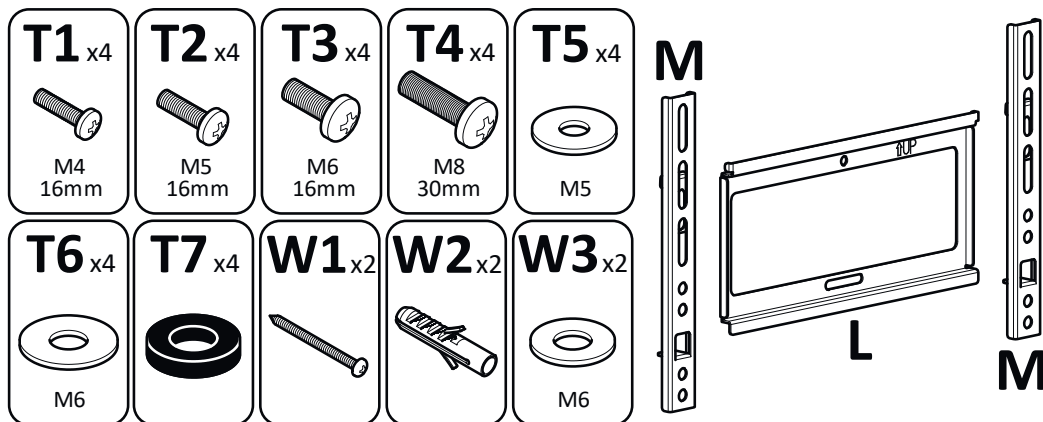
This product is intended for indoor use only. Use of this product outdoors could lead to failure and personal injury.

It is the responsibility of the installer to ensure that the mounting wall is of a suitable standard and void of any services (eg gas, electricity, water etc).

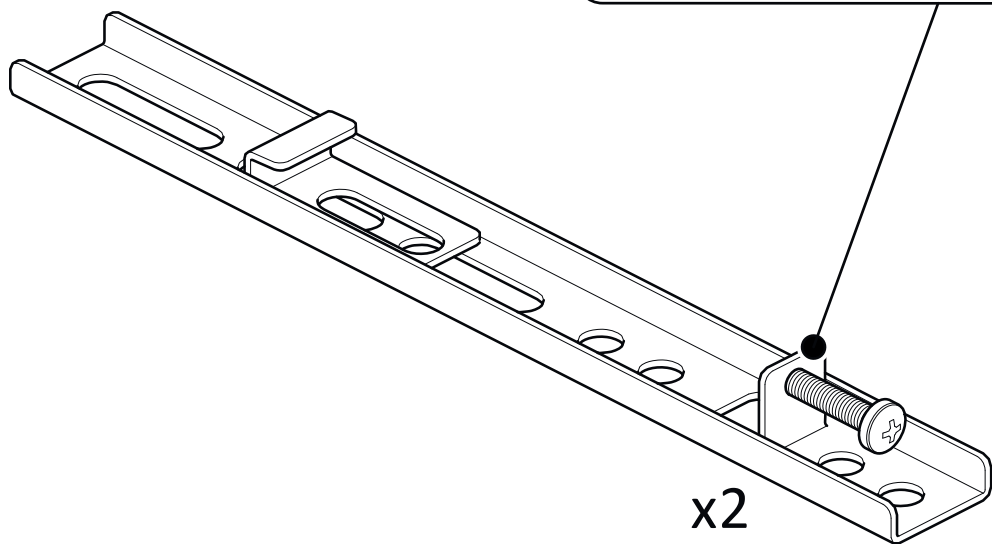
Tools Recommended



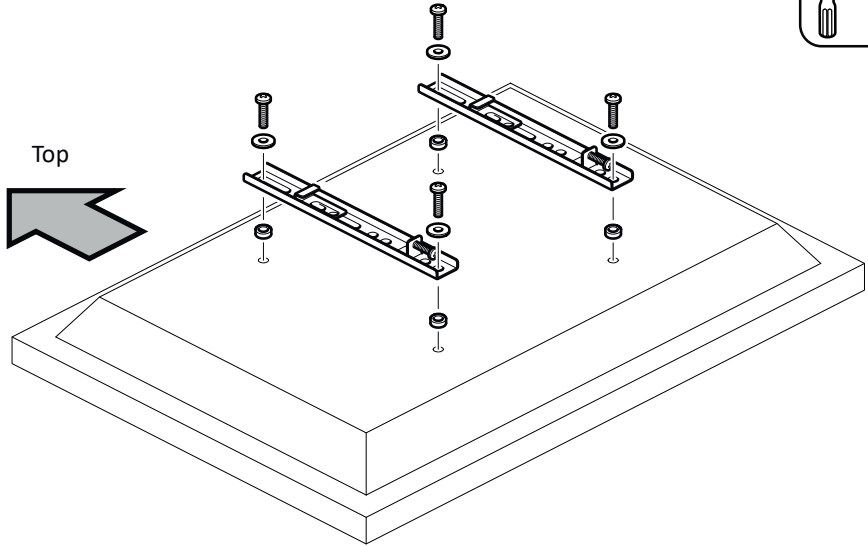
Boxed Parts

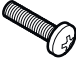
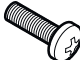
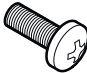
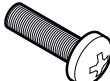





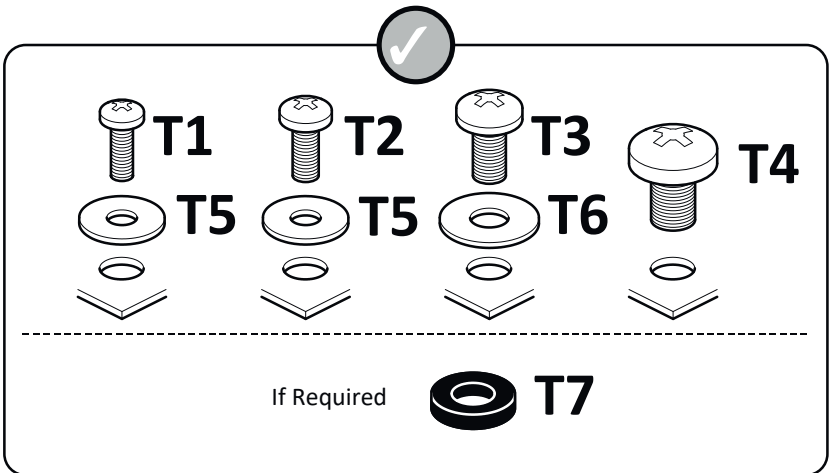
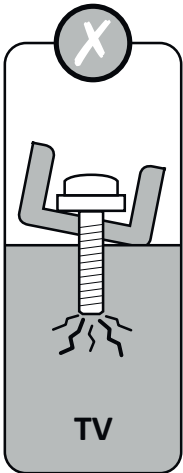
1



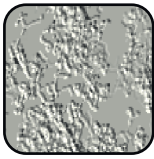
x2



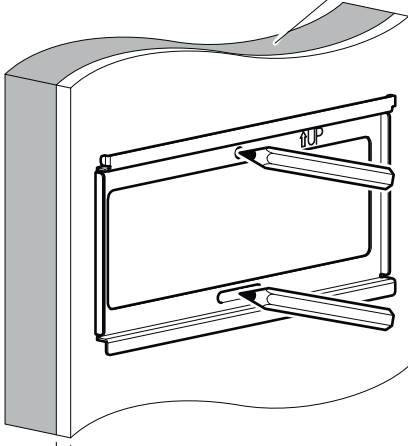
- | | | | | | | |
|---|--|--|--|---|---|--|
| <p>T1 x4</p>  <p>M4
16mm</p> | <p>T2 x4</p>  <p>M5
16mm</p> | <p>T3 x4</p>  <p>M6
16mm</p> | <p>T4 x4</p>  <p>M8
30mm</p> | <p>T5 x4</p>  <p>M5</p> | <p>T6 x4</p>  <p>M6</p> | <p>T7 x4</p>  |
|---|--|--|--|---|---|--|



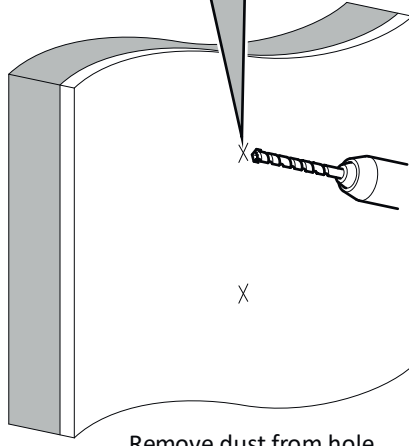
3



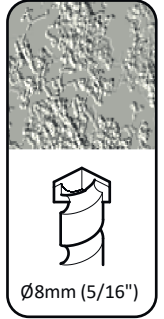
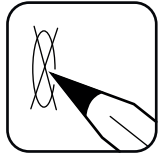
Concrete



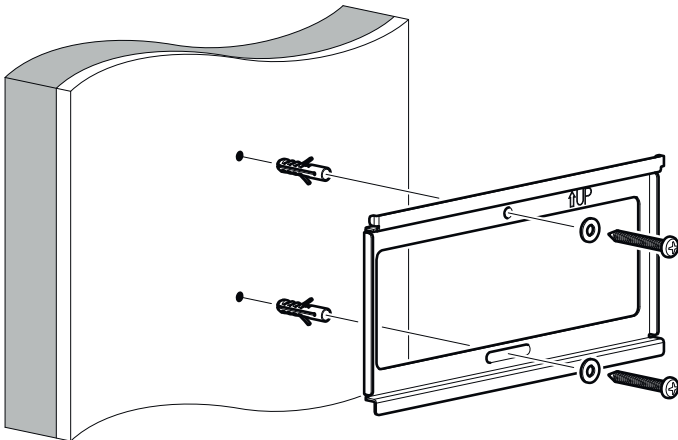
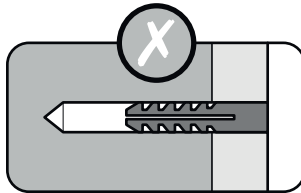
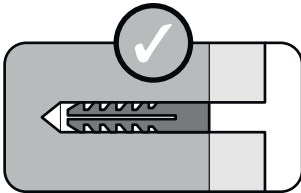
12.5mm (1/2") Max



Remove dust from hole



Ø8mm (5/16")



Lubricate screw thread with soap

W1 x2



W2 x2

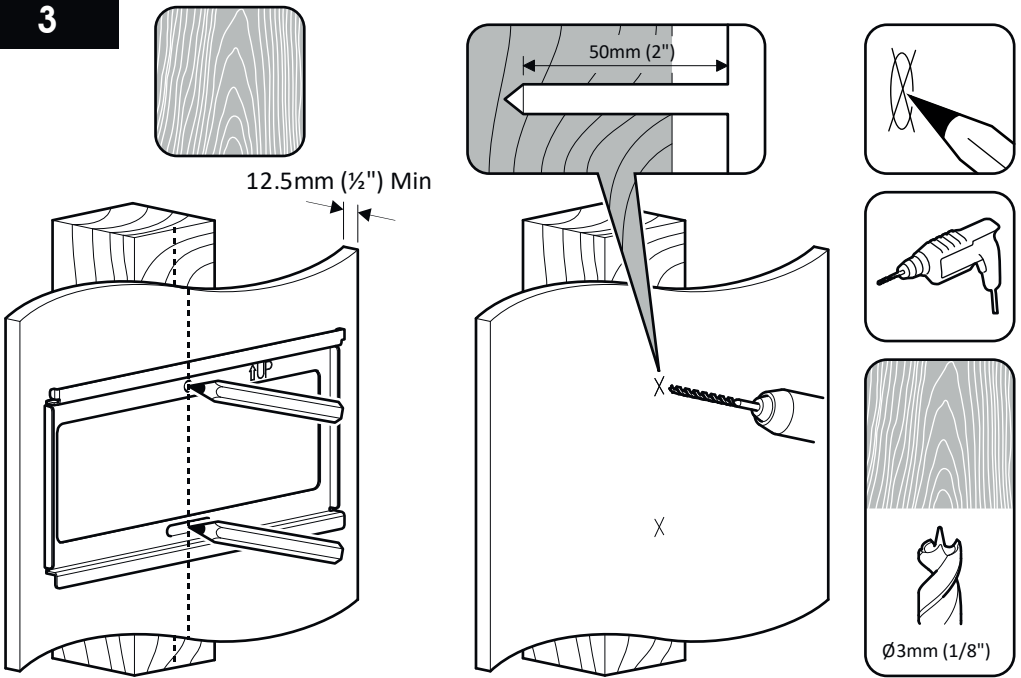


W3 x2

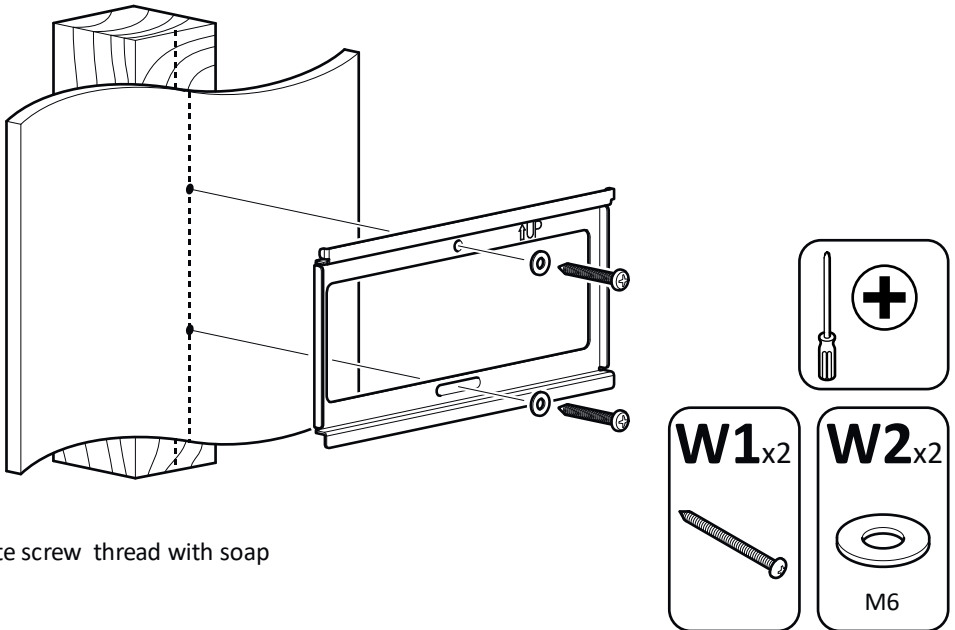


M6

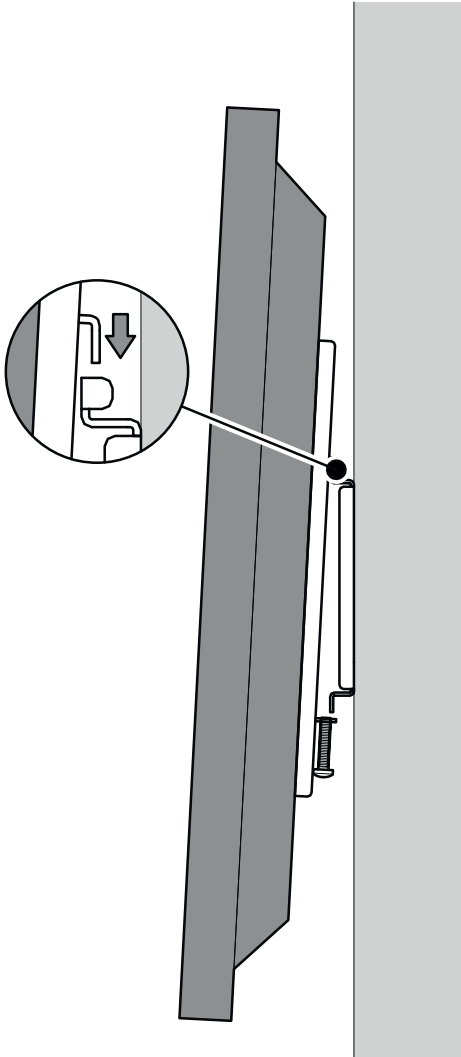
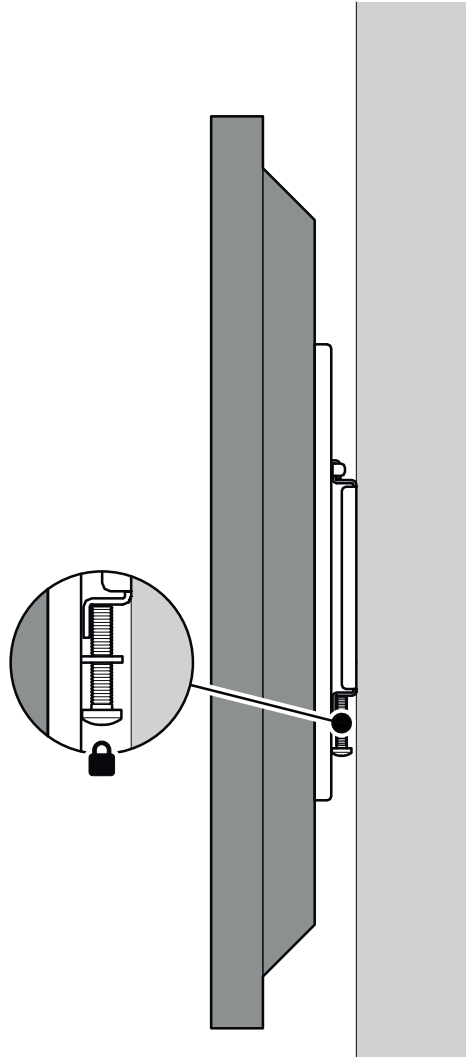
3



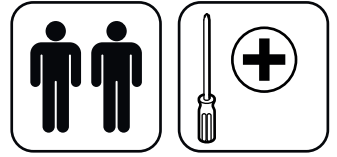
Ensure bracket is in the centre of the wood stud



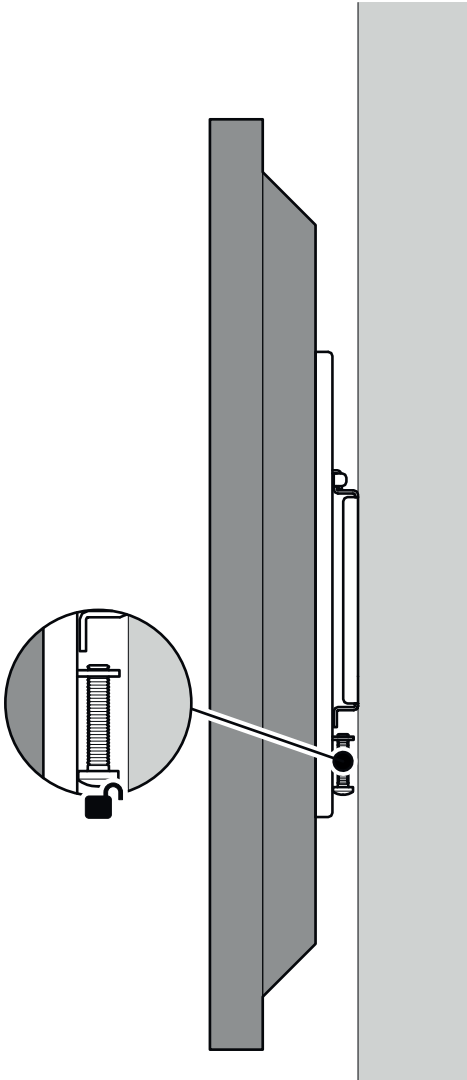
Lubricate screw thread with soap

**i****ii**

To remove TV



i



ii

