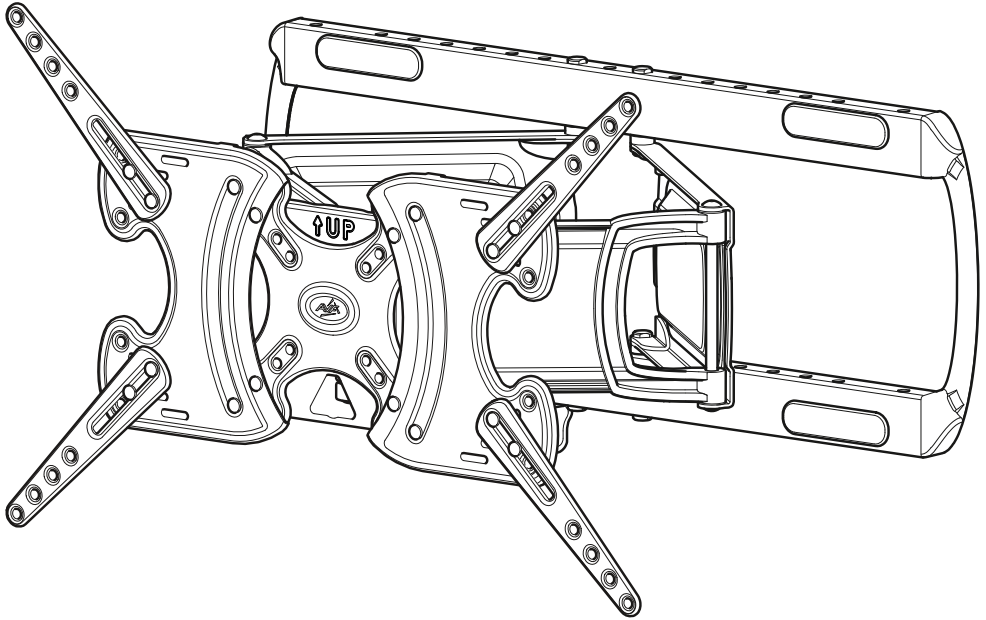


# JNL655

468105 rev00



*Read through **ALL** instructions before commencing installation. If you have any questions about this product or issues with installation contact the customer services helpline before returning this product to the store. See [jl.avfgroup.com/p/jnl655](http://jl.avfgroup.com/p/jnl655) for more information.*

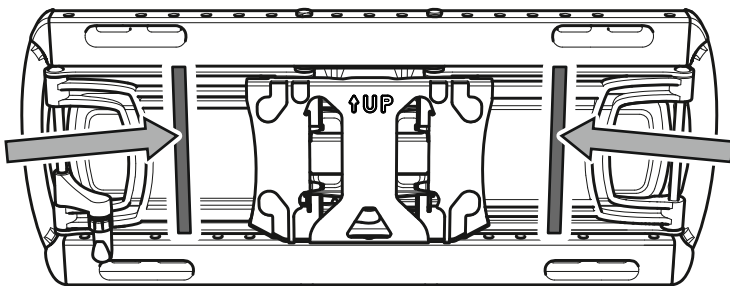
**CUSTOMER SERVICES HELP LINE NUMBER:**

**0333 320 0463**



**AVF Group Ltd.** Hortonwood 30, Telford, Shropshire, TF1 7YE, England

  
Do Not remove  
until step 6



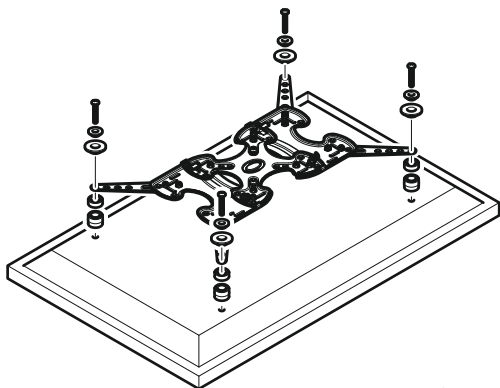
  
Do Not remove  
until step 6

## Assembly Overview

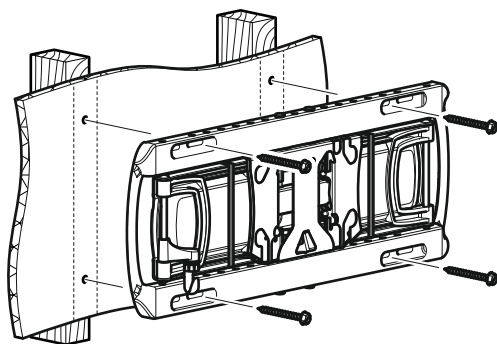


2 Person Installation Recommended

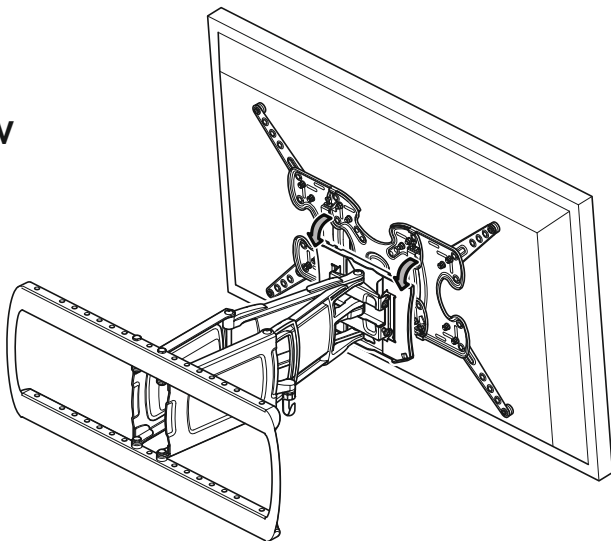
Fit the TV Mounting Plate



Fit the Wall Bracket



Connect the TV



## Index

**1** Measure the TV fixing holes Width and Height

**2** Preparing the Front Adaptor Plate

**3** Preparing the TV Mounting Plate

**4** Fitting the TV Mounting Plate

**5** Fitting the Wall Bracket

**6** Fitting the Wall Bracket Covers

**7** Connecting the TV

**8** Cable Management

Retain all packaging in case the bracket needs to be returned.

Contents may vary from photography/ Illustrations.

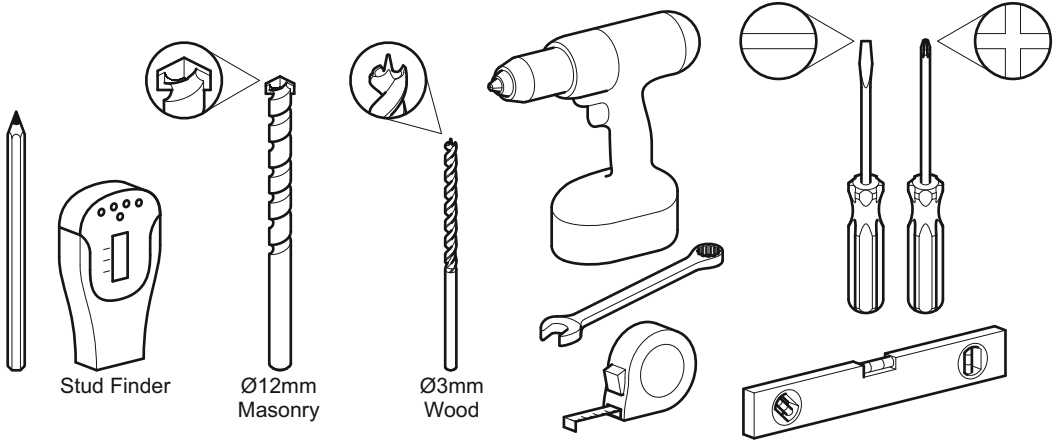
You will not need all these parts, so expect there to be some left over depending upon the specification of your TV.

This product is intended for indoor use only. Use of this product outdoors could lead to failure and personal injury.

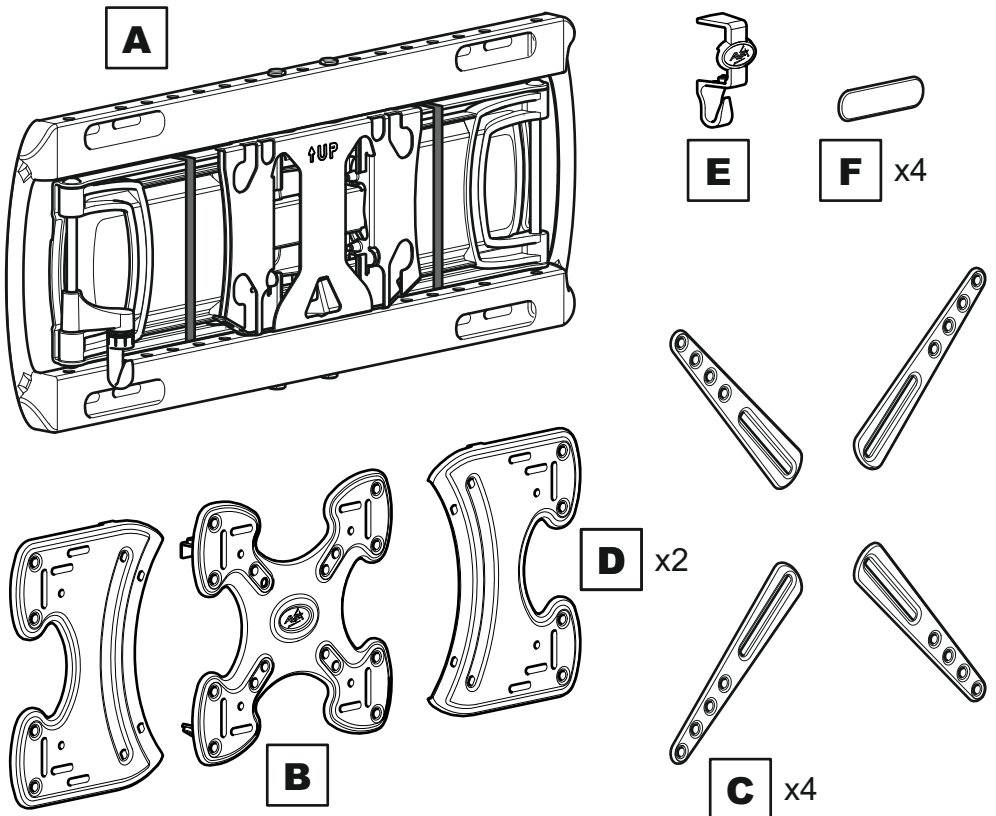
It is the responsibility of the installer to ensure that the mounting wall is of a suitable standard and void of any services (eg gas, electricity, water etc).

AVF accept no responsibility for any damage or loss caused by installing this product in a sub standard wall.

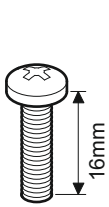
## Tools Recommended



## Boxed Parts

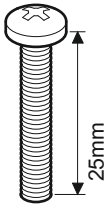


# TV Screws, Reducers and Spacers



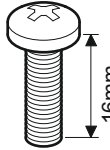
M4

**K1** x4



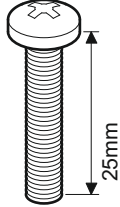
M4

**K2** x4



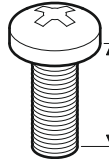
M5

**K3** x8



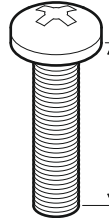
M5

**K4** x4



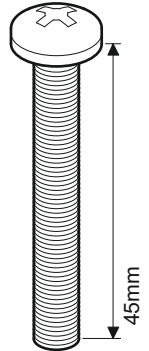
M6

**K5** x4



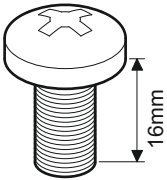
M6

**K6** x4



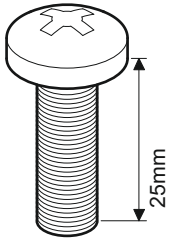
M6

**K7** x4



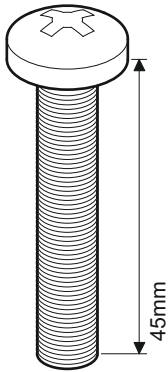
M8

**K8** x4



M8

**K9** x4



M8

**K10** x4



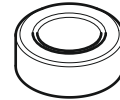
**L1** x4



**L2** x4



**M1** x12



**M2** x4



**G** x16



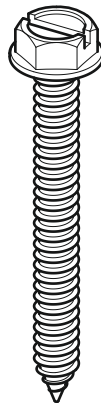
**H** x16



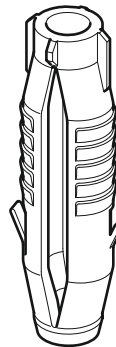
**I** x16



**J** x8



**N** x6

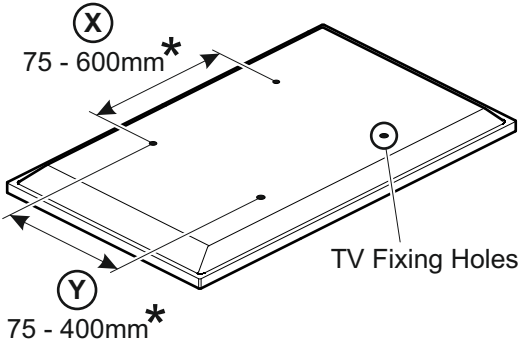


**P** x6



**Q** x1

# 1 Measure the TV fixing holes Width and Height

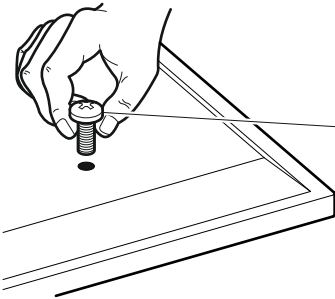


If width (X) is greater than 600mm\* or height (Y) greater than 400mm\*  
STOP installation now and contact the customer help line

\*Also fits TV fixing holes

|           |           |           |           |           |           |
|-----------|-----------|-----------|-----------|-----------|-----------|
| (X) 630mm | (Y) 310mm | (X) 650mm | (Y) 320mm | (X) 660mm | (Y) 320mm |
|-----------|-----------|-----------|-----------|-----------|-----------|

You are provided with 4 diameters of TV fixing screws, **M4**, **M5**, **M6** and **M8**. Determine the screw diameter that fits and remember for step 4.



**M4 = K1-K2**

**M5 = K3-K4**

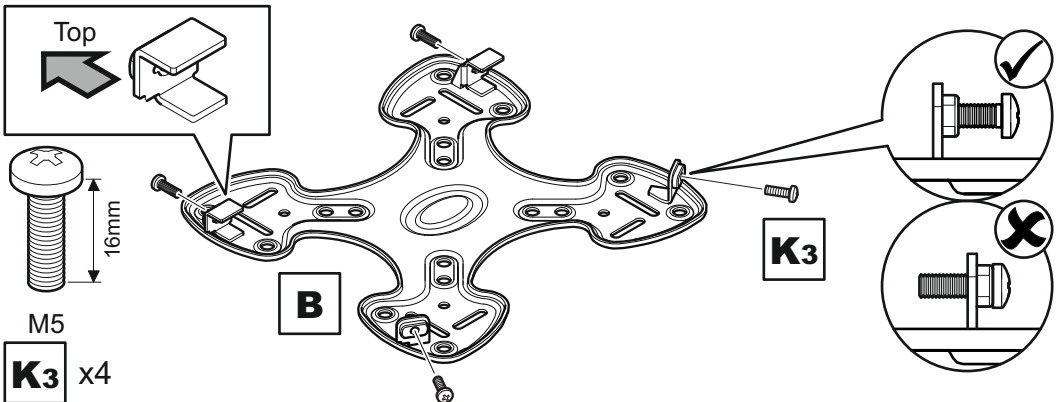
**M6 = K5-K7**

**M8 = K8-K10**



After completing step 4 you will have fittings left over, please keep for future reference

# 2 Preparing the Front Adaptor Plate



# 3 Preparing the TV Mounting Plate

Use the option that fits your TV. Do not fully tighten

## OPTION 1

- (X) 75mm (Y) 75mm
- (X) 100mm (Y) 100mm
- (X) 200mm (Y) 100mm
- (X) 200mm (Y) 200mm

## OPTION 2

- (X) 100mm (Y) 200mm

## OPTION 3

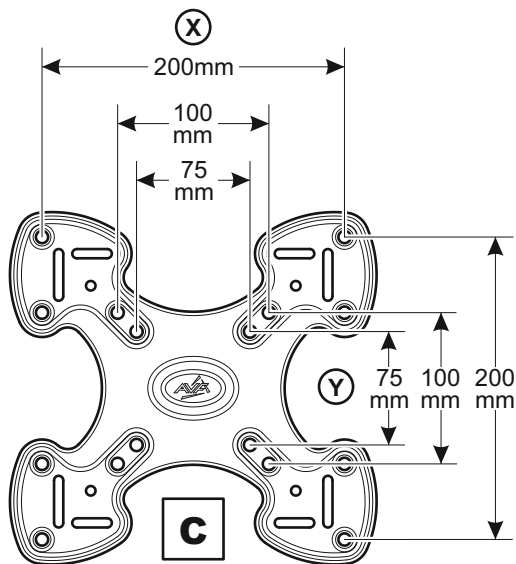
- (X) 300mm (Y) 100mm
- (X) 300mm (Y) 200mm
- (X) 300mm (Y) 300mm
- (X) 400mm (Y) 100mm
- (X) 400mm (Y) 200mm
- (X) 400mm (Y) 300mm
- (X) 400mm (Y) 400mm
- (X) 75-400mm (Y) 75-400mm

## OPTION 4

- (X) 600mm (Y) 100mm
- (X) 600mm (Y) 200mm
- (X) 600mm (Y) 300mm
- (X) 600mm (Y) 400mm
- (X) 400-600mm (Y) 75-400mm
- (X) 630mm (Y) 310mm
- (X) 650mm (Y) 320mm
- (X) 660mm (Y) 320mm

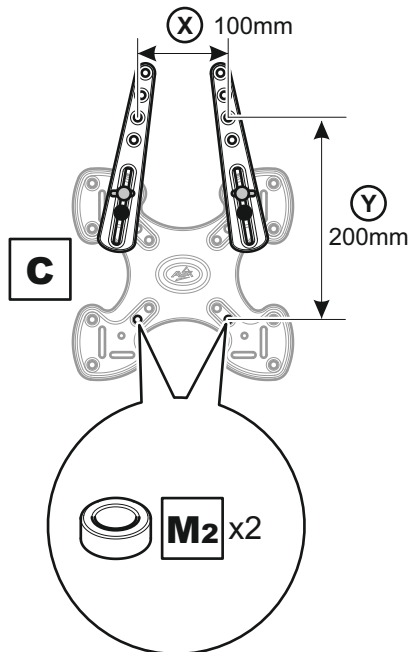
If in any doubt please call the customer help line.

## OPTION 1



If your TV fixing holes match any of the sizes shown above you will not need to use any adaptors. Please go to step 4.

## OPTION 2

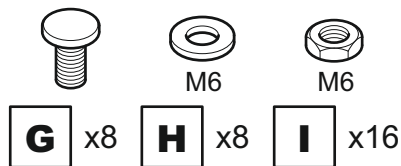
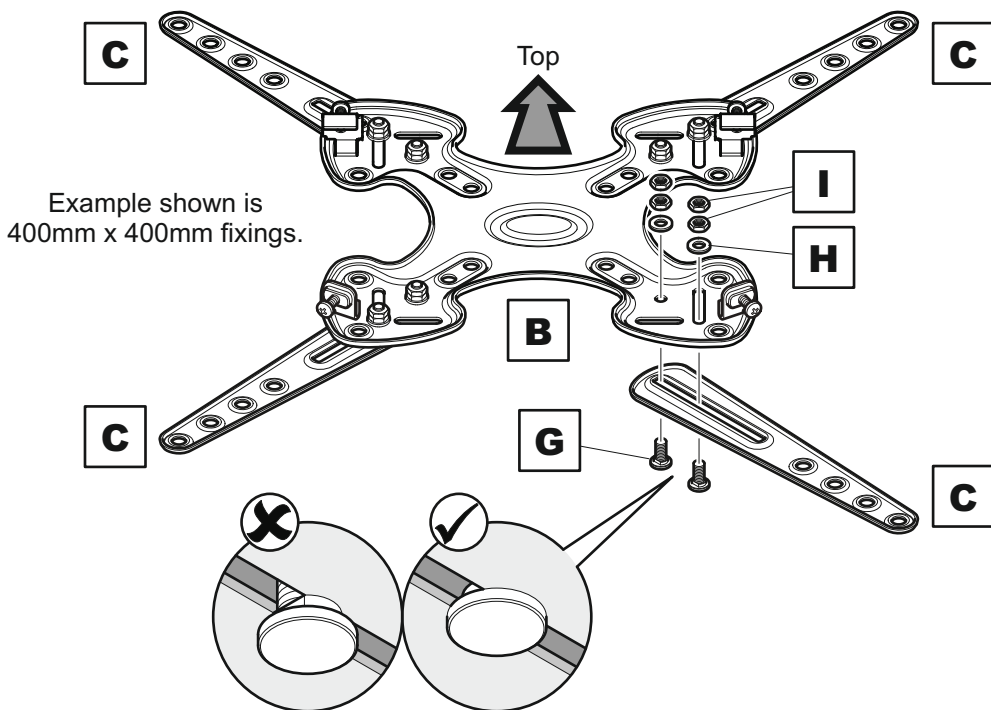
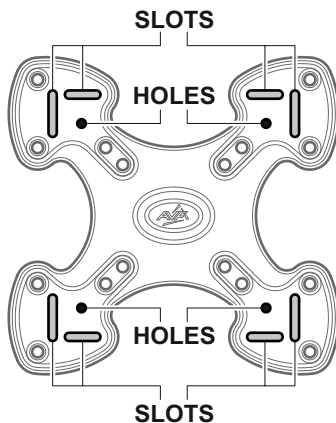


Use spacer **M2** between the bottom two holes of the bracket and your TV.

OPTION 3

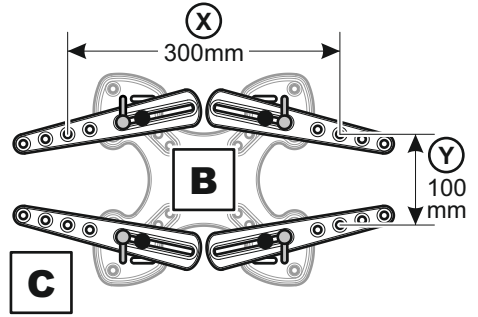
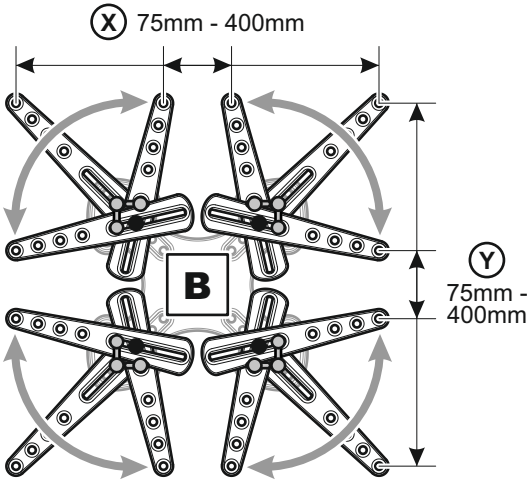


When attaching adaptors **C** you must always use **HOLES x4** and either of the **SLOTS**.



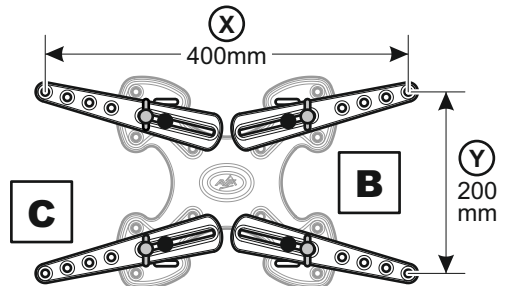
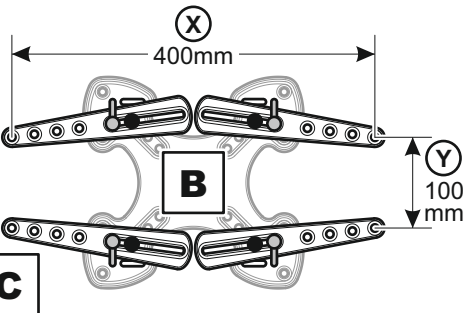
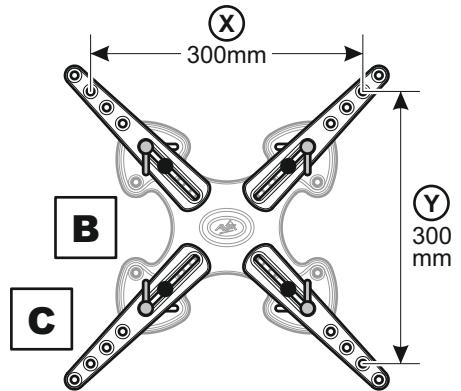
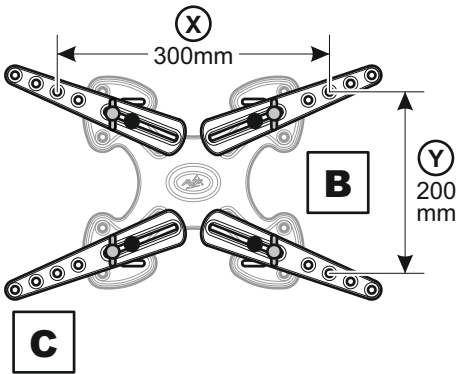


- = HOLES
- = SLOTS

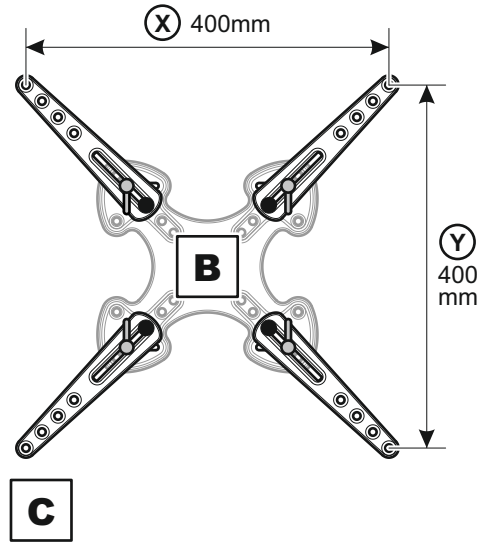
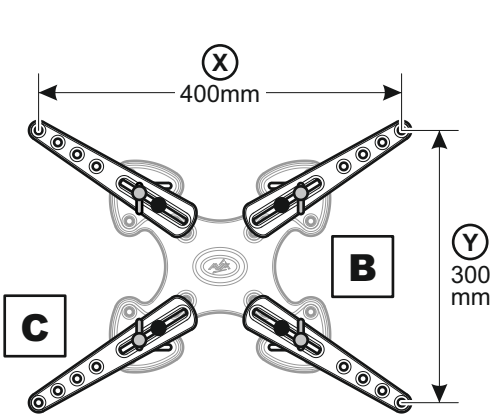


**C**

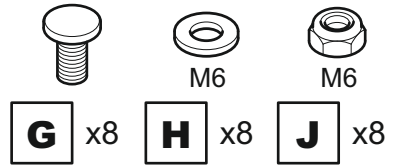
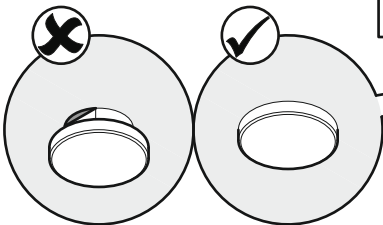
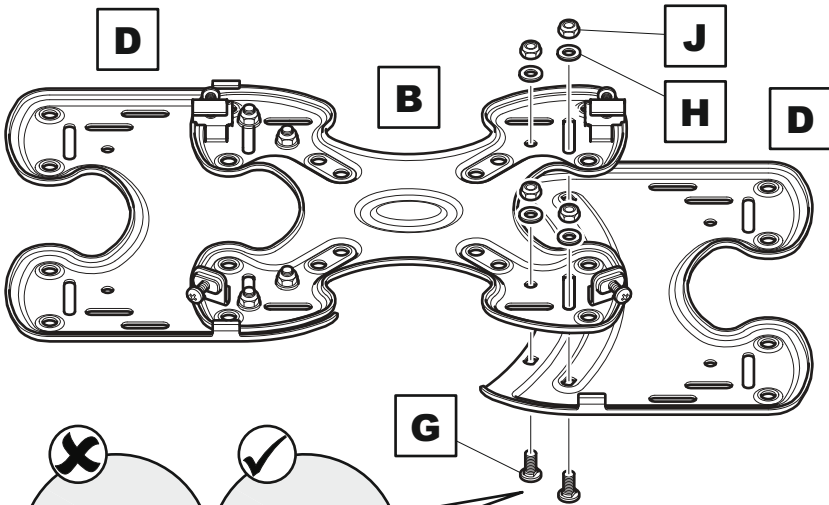
Adaptors **C** can be fixed in different positions in the slots on Plate **B** to match your TV fixing holes.



● = HOLES  
○ = SLOTS

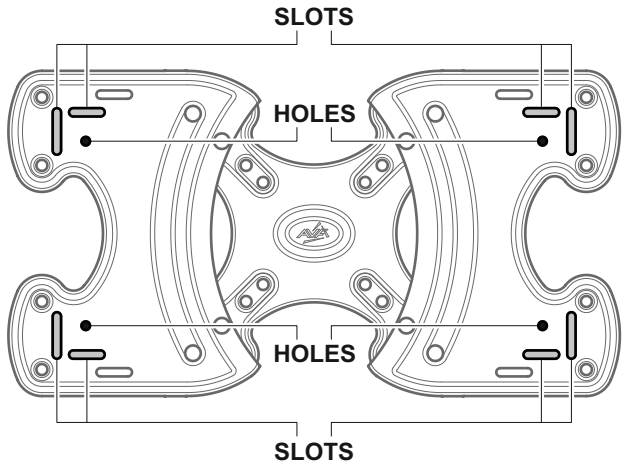


OPTION 4

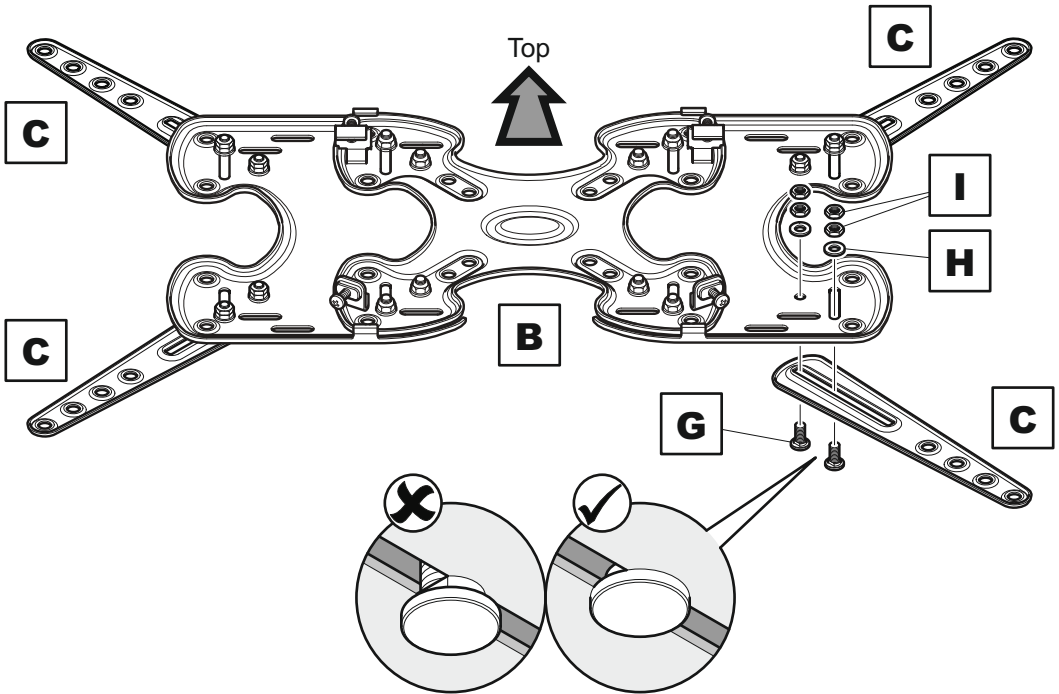




When attaching adaptors **C** you must always use **HOLES x4** and either of the **SLOTS**.



Example shown is 600mm x 400mm fixings.



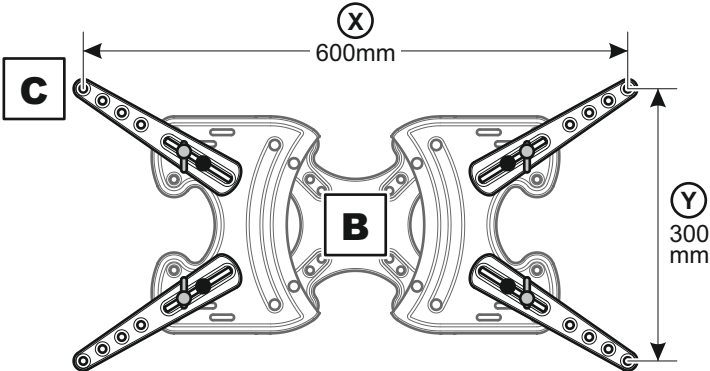
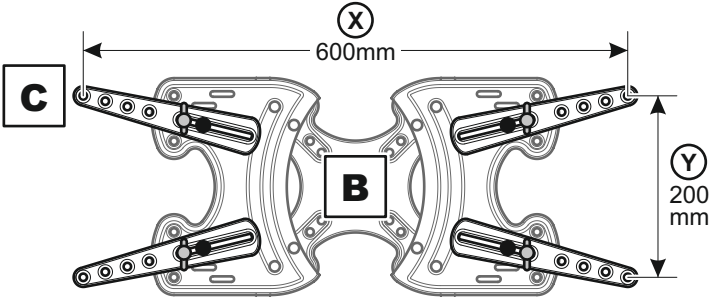
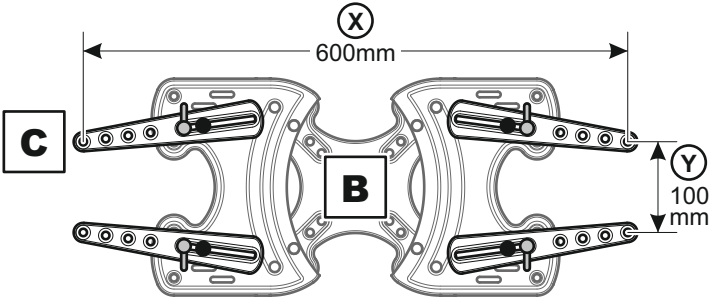
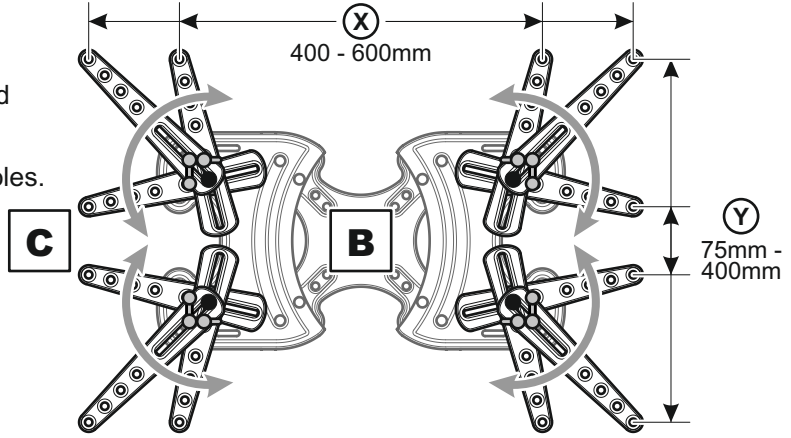
**G** x8

**H** x8

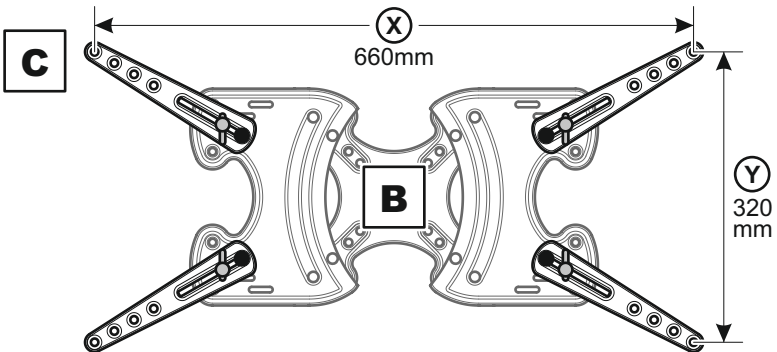
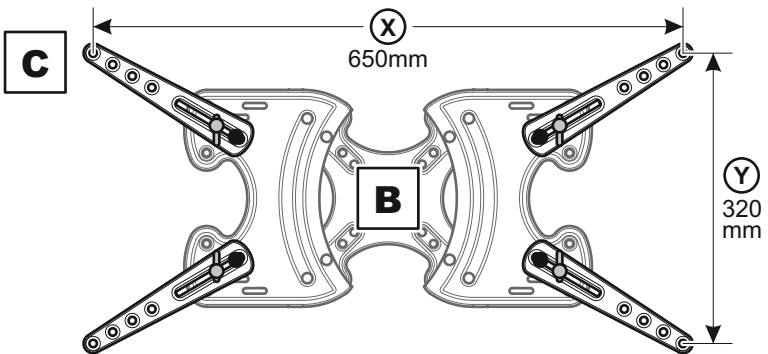
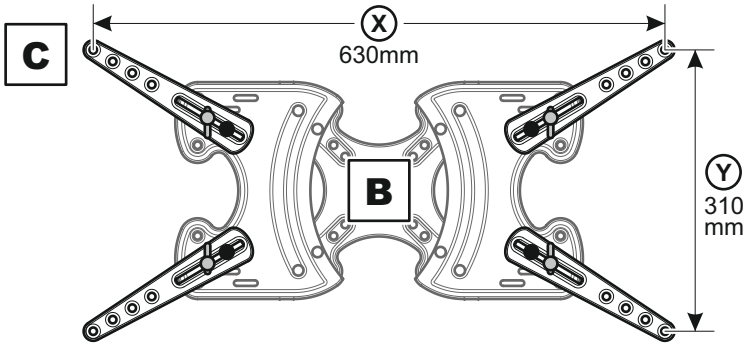
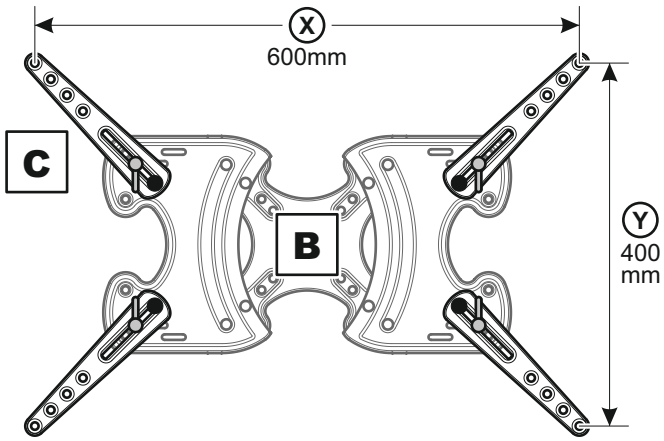
**I** x16

- = HOLES
- = SLOTS

Adaptors **C** can be fixed in different positions in the slots on Plate **B** to match your TV fixing holes.

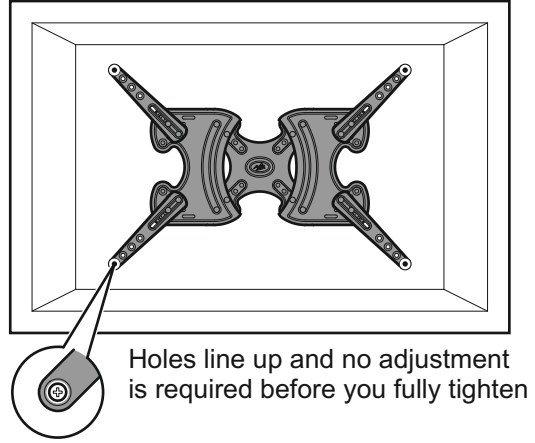
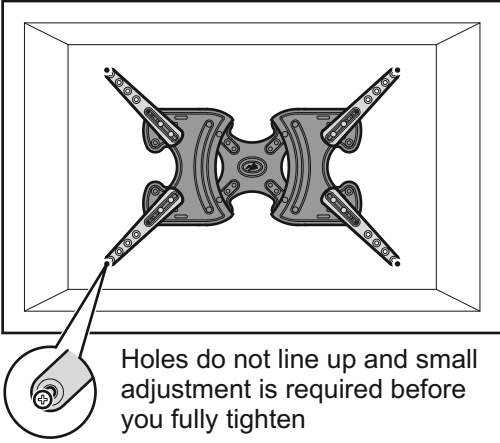


● = HOLES  
○ = SLOTS



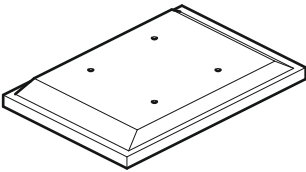
## 4 Fitting the TV Mounting Plate

Before you fully tighten the TV mounting plate please check that the mounting plate holes line up with the fixing holes on the back of your TV.



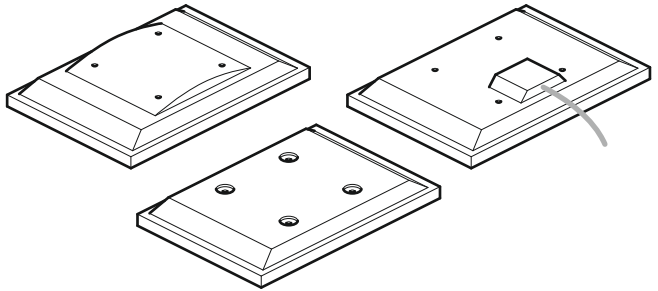
### No Spacers

For TVs with flat/unobstructed back

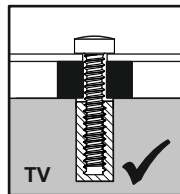
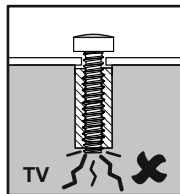
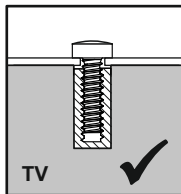
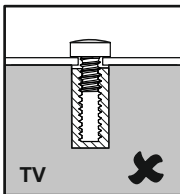


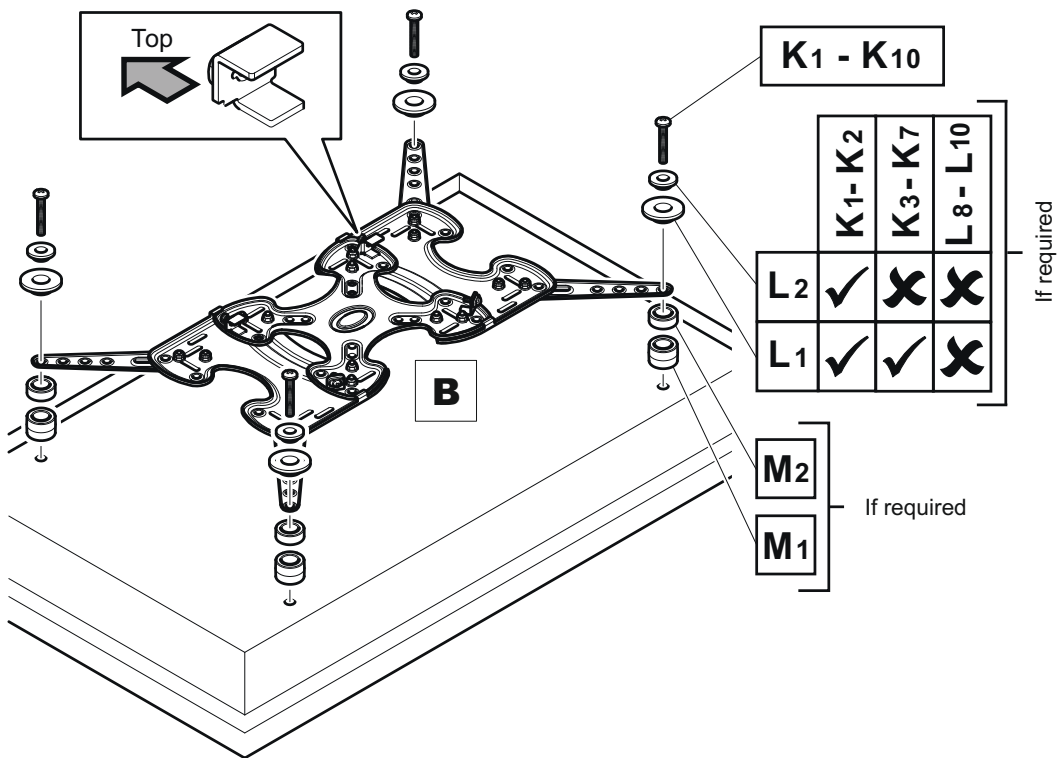
### Spacers **M1/M2**

For TVs with irregular/obstructed back



### WARNING

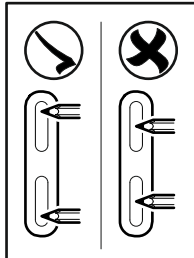




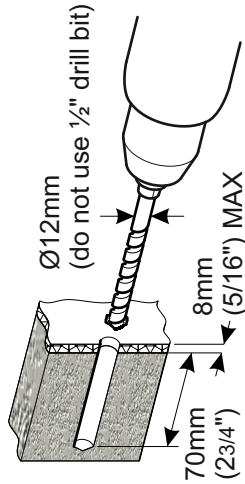
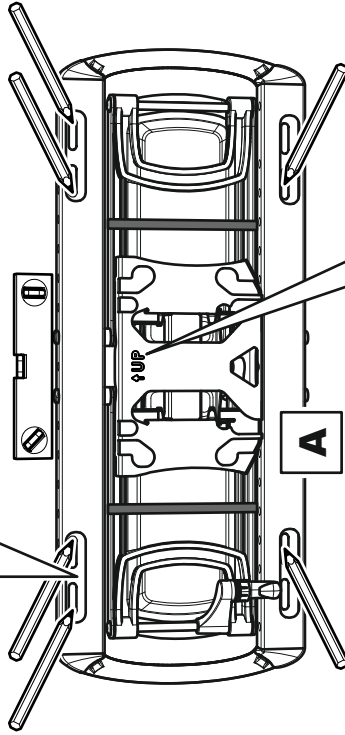
Attach the bracket to the back of your TV using suitable screw, reducer and spacer combinations.

# 5 Fitting the Wall Bracket

Solid Wall

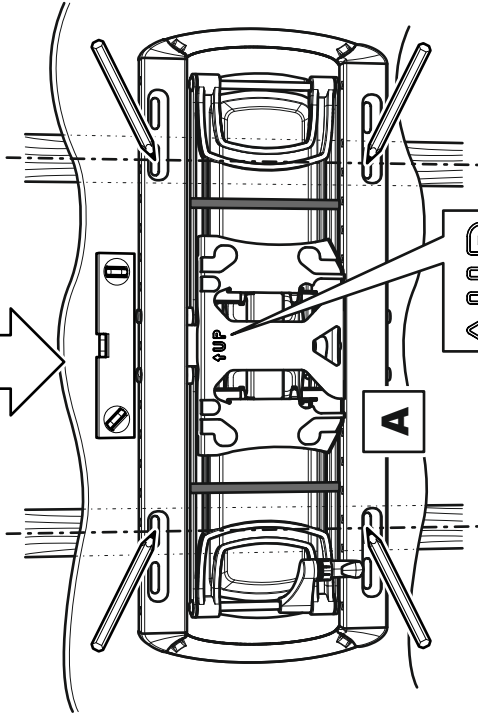


 Take care  
Faire attention  
Tenga cuidado

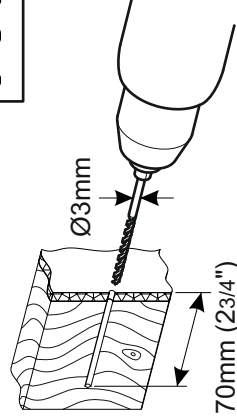


Remove dust  
from hole

Wood Stud

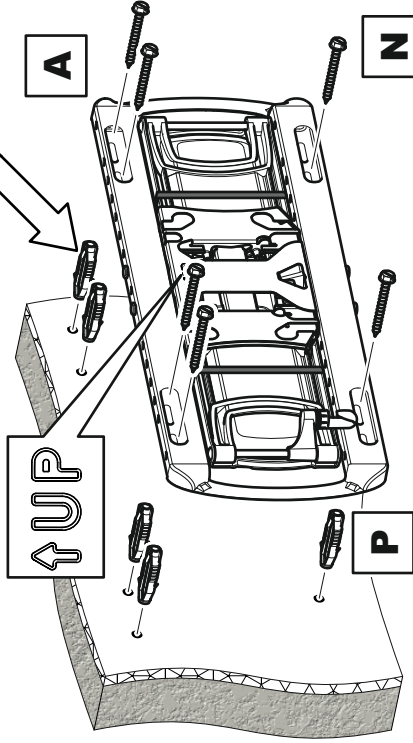
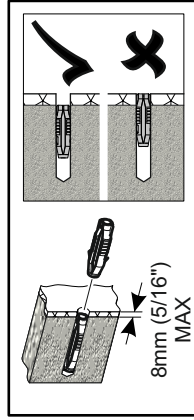
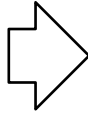


 Take care  
Faire attention  
Tenga cuidado



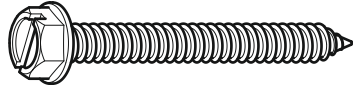
Ensure bracket is in the centre of the wood stud



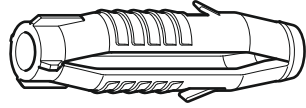


Lubricate screw  
thread with soap

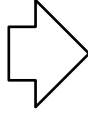
**DO NOT** over tighten screws  
Tighten screws by hand only



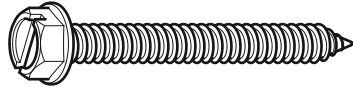
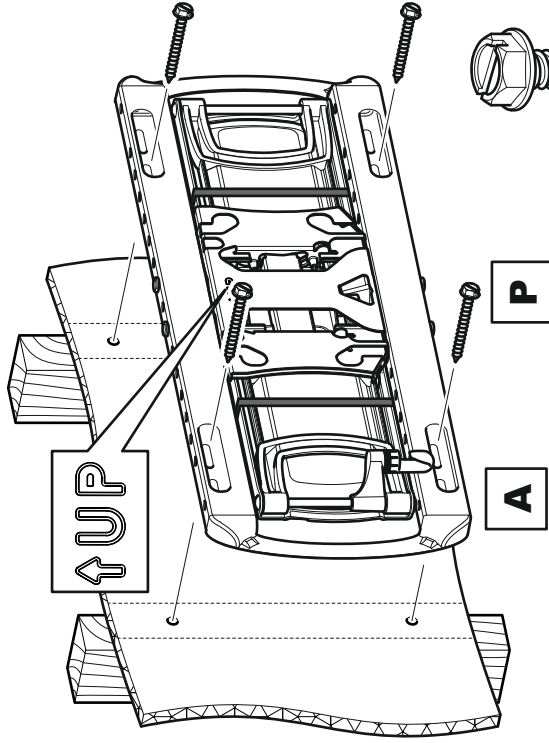
**N** x6



**P** x6



Lubricate screw  
thread with soap

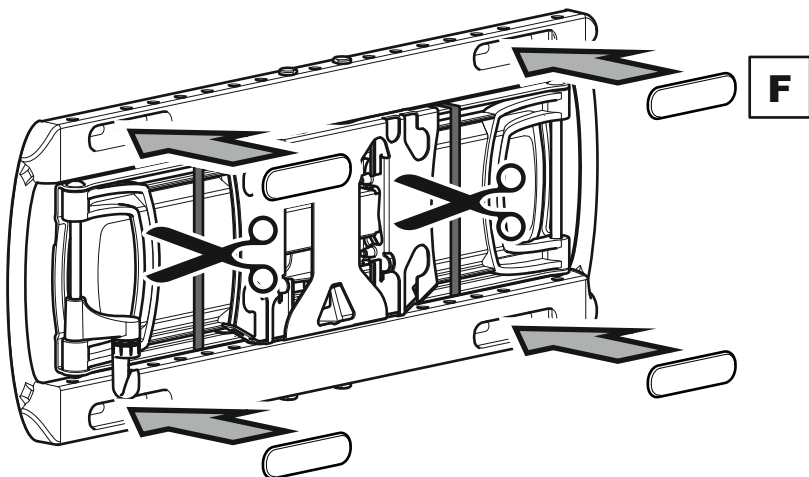


**N** x4

**DO NOT** over tighten screws  
Tighten screws by hand only

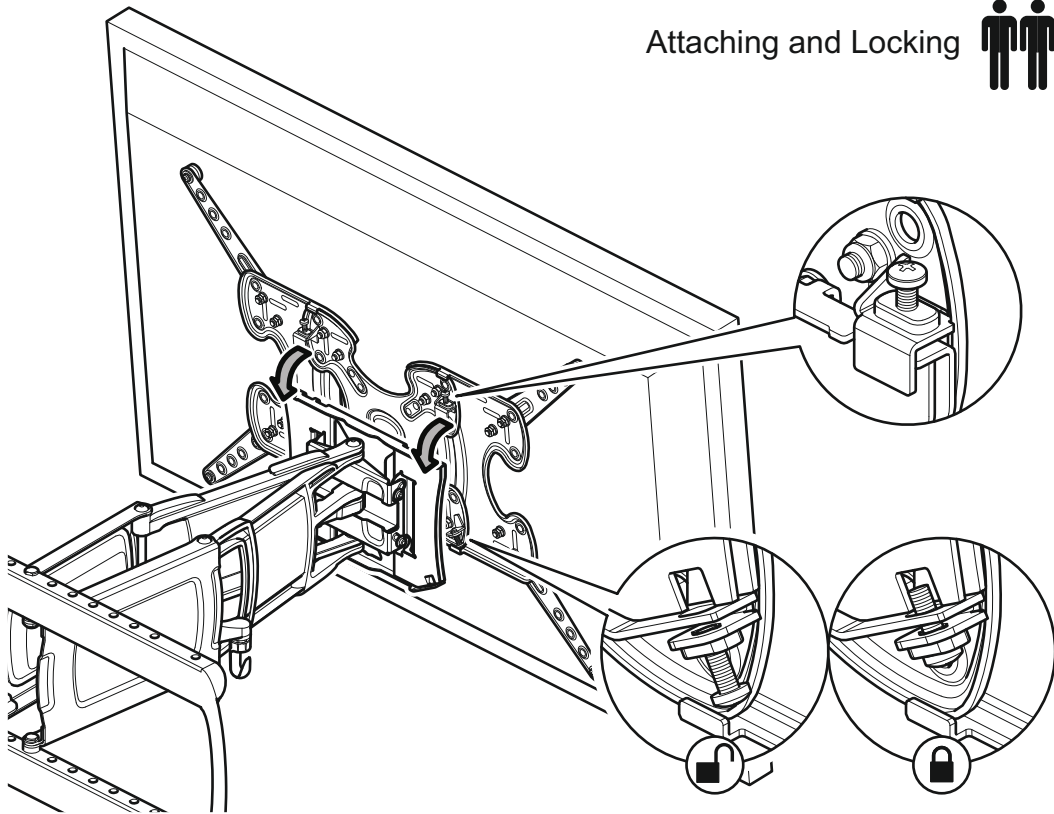


## 6 Fitting the Wall Bracket Covers

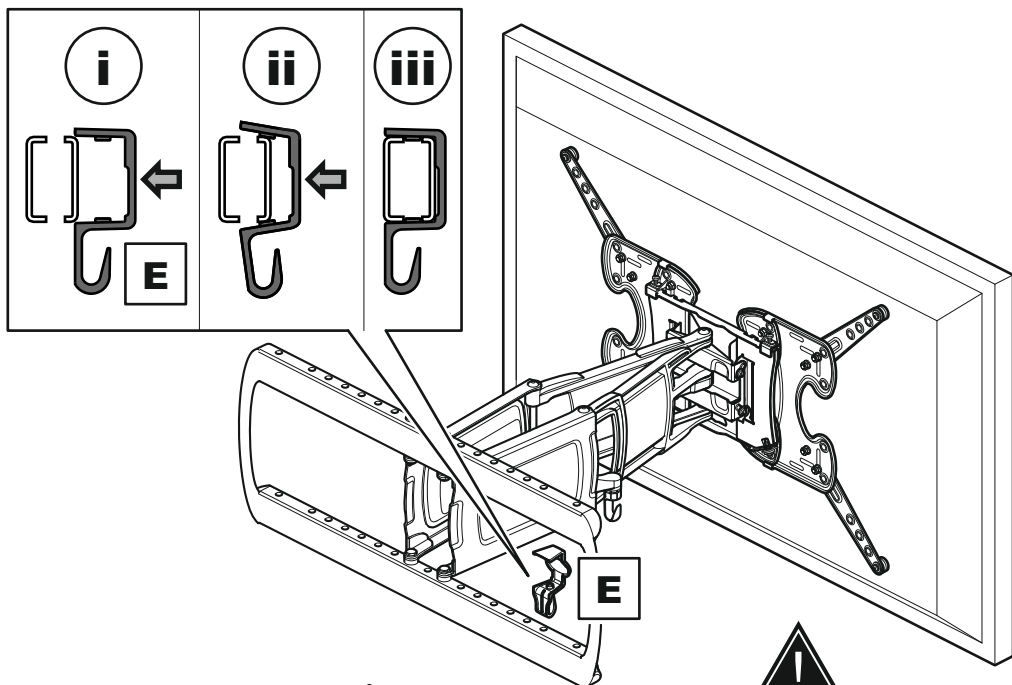


## 7 Connecting the TV

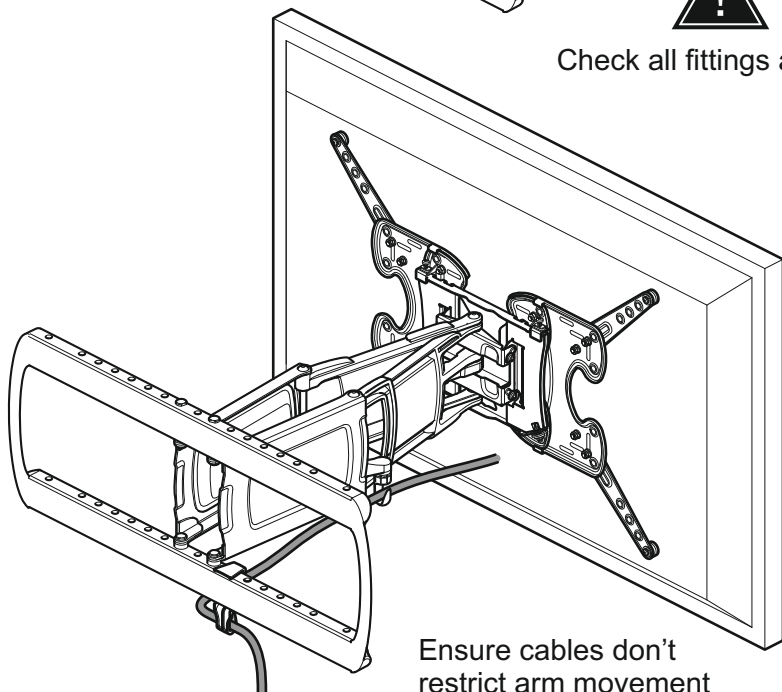
Attaching and Locking



## 8 Cable Management



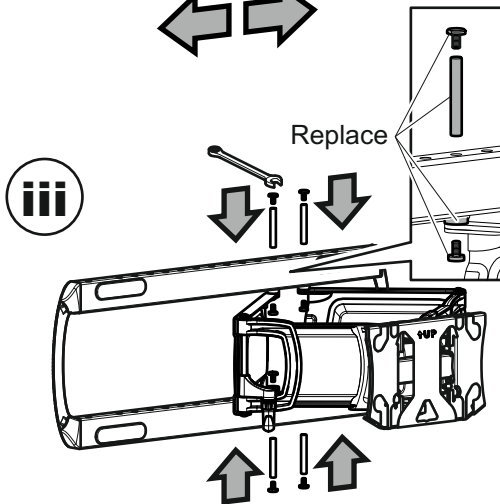
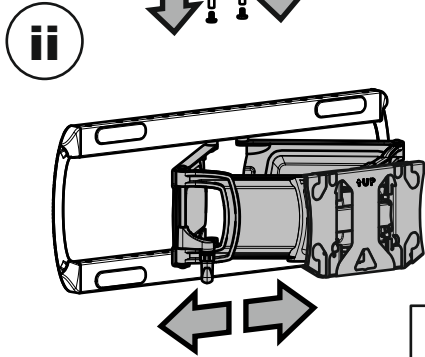
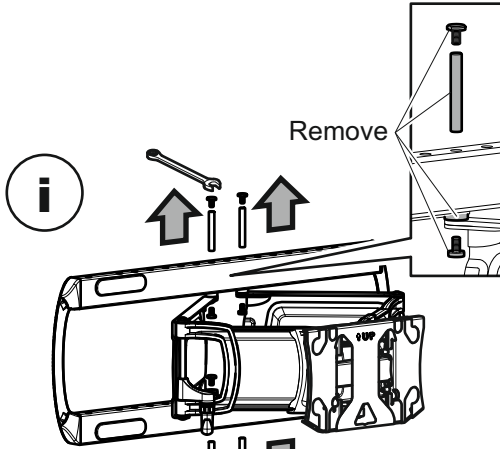
Check all fittings are tight



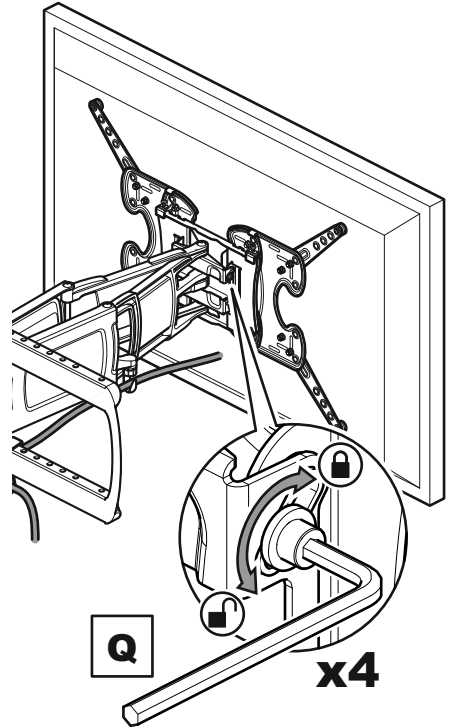
## Optional Lateral Shift



WOOD STUD ONLY



## Optional Lock tilt



## Optional TV Levelling

