

 **BLAUPUNKT**

468016rev00  
SKU 330234

**Owner's Manual**



*Enjoy it.*

Universal TV Floor Stand 32"-65"

**IMPORTANT INFORMATION!**

We advise that before starting the assembly of this product that you familiarise yourself with the instructions and the parts list in this leaflet.

Do not over tighten any part of this assembly.

Do not place hot or cold objects on to or close next to any glass surface unless the object is sufficiently insulated to prevent contact.

Do not strike the glass with hard or pointed items.

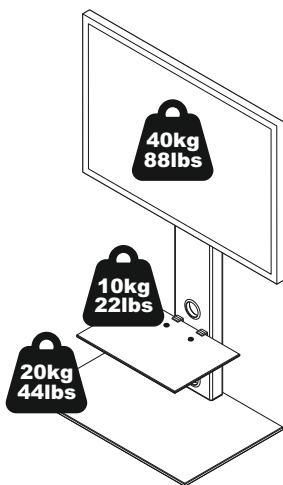
Do not sit or stand upon horizontal glass surfaces.

Do not use washing powders or other substances containing abrasives when cleaning the glass.

Do use a damp cloth with diluted washing up liquid for cleaning the glass surfaces.

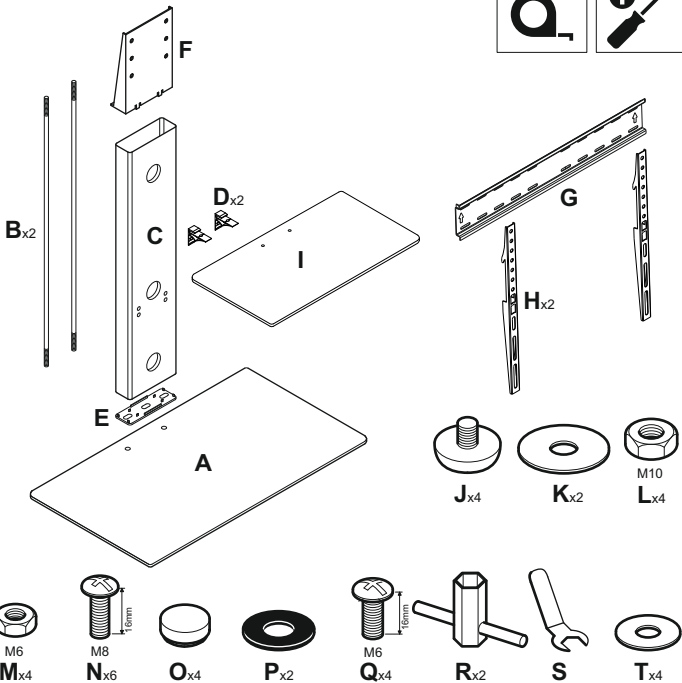
**WARNING:** Wherever possible distribute weight evenly.

**Maximum TV weight and shelf capacities**

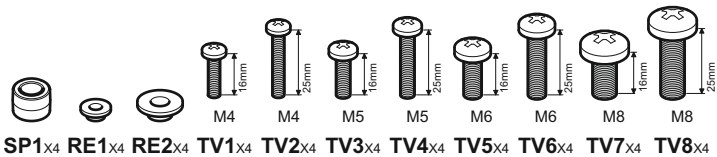


**Boxed Parts**

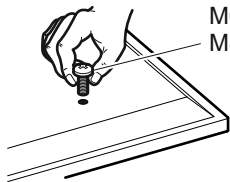
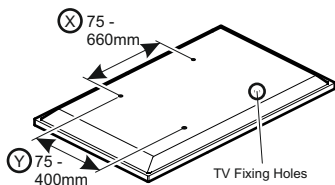
**Tools Recommended**



**TV Screws, Reducers and Spacers**



**SP1<sub>x4</sub> RE1<sub>x4</sub> RE2<sub>x4</sub> TV1<sub>x4</sub> TV2<sub>x4</sub> TV3<sub>x4</sub> TV4<sub>x4</sub> TV5<sub>x4</sub> TV6<sub>x4</sub> TV7<sub>x4</sub> TV8<sub>x4</sub>**

**1****Measure the TV fixing holes Width and Height**

M4 = TV1-2  
M5 = TV3-4  
M6 = TV5-6  
M8 = TV7-8

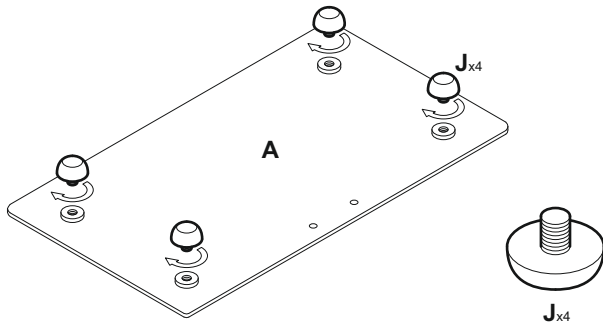


If width **X** is greater than 660mm or height **Y** greater than 400mm STOP installation now and contact the customer help line

You are provided with 4 diameters of TV fixing screws, **M4**, **M5**, **M6** and **M8**. Determine the screw diameter that fits and remember for step 10.

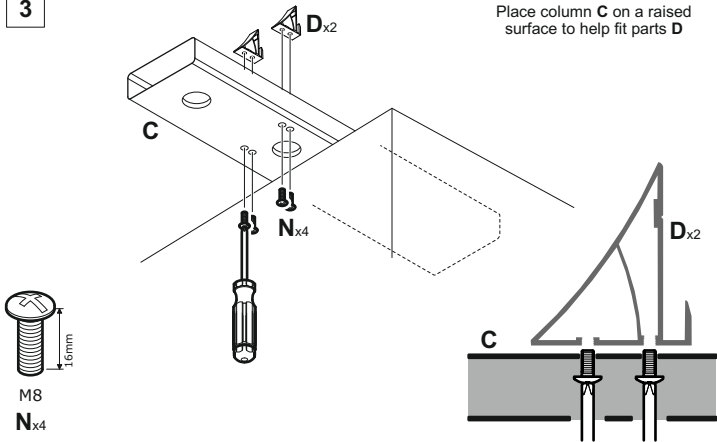
**2**

Put a piece of material underneath the glass to prevent damage.



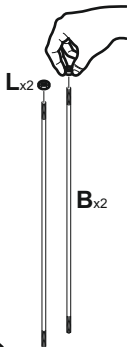
3

Place column **C** on a raised surface to help fit parts **D**

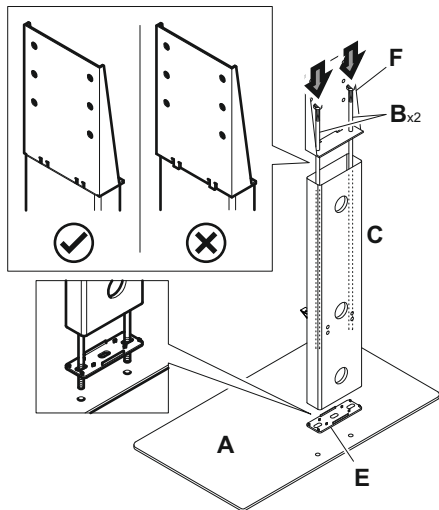


4

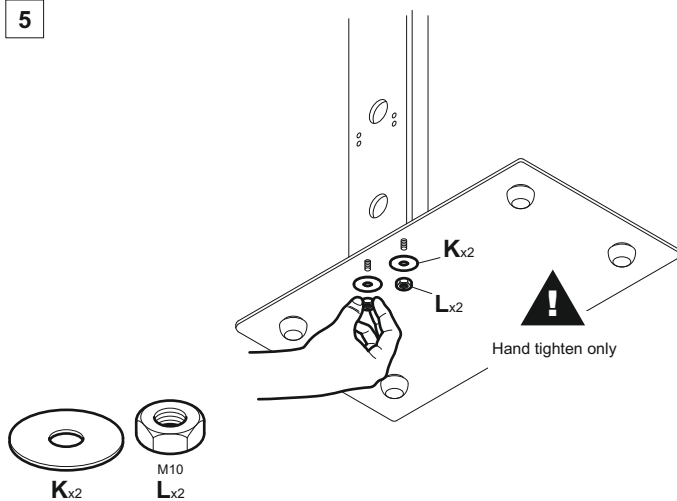
i



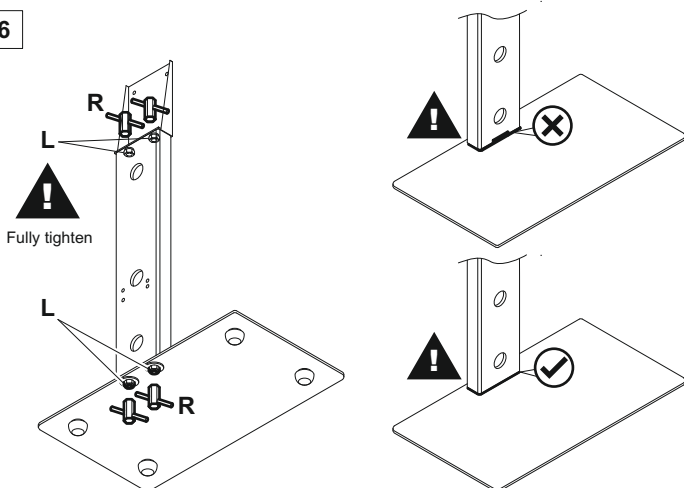
ii



5



6

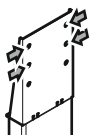


**7**

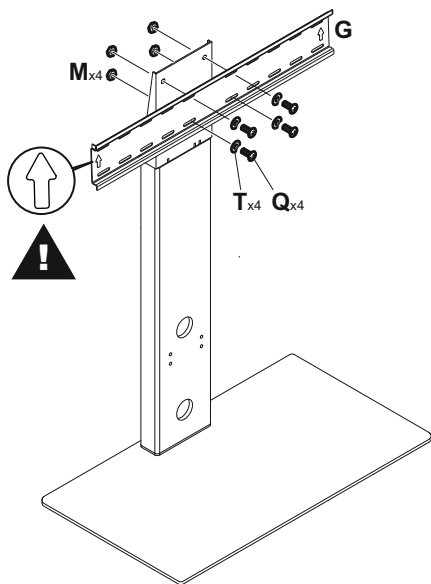
Please consider the size of your TV before fixing plate **G**. See below for guide.



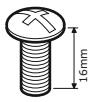
Recommended for Medium to Large TV.



Recommended for Large to Extra Large TV.



M6  
**M<sub>x4</sub>**



M6  
**Q<sub>x4</sub>**

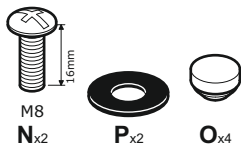
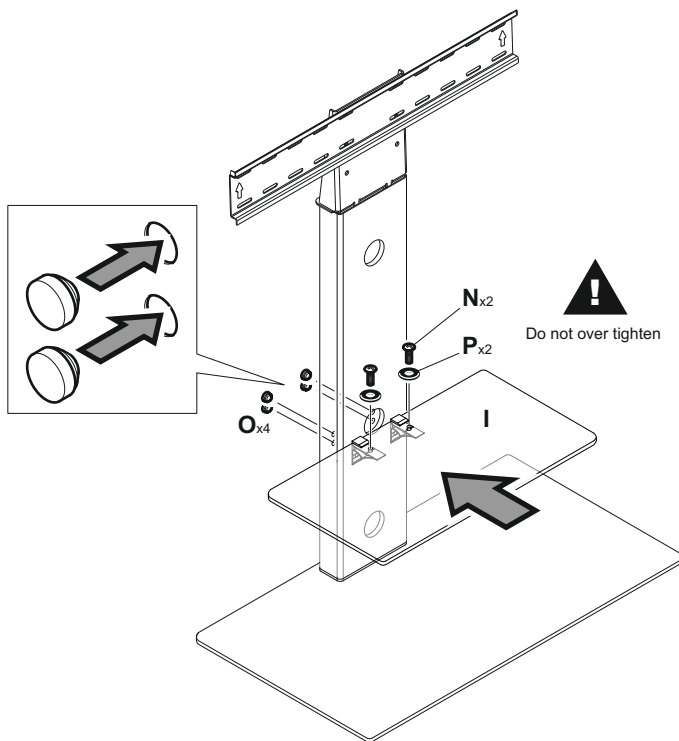


**T<sub>x4</sub>**



**S<sub>x1</sub>**

8

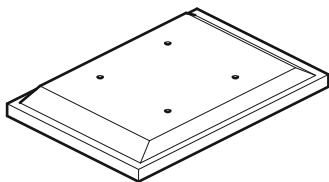




9

**No Spacers**

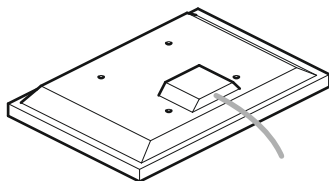
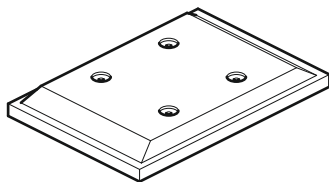
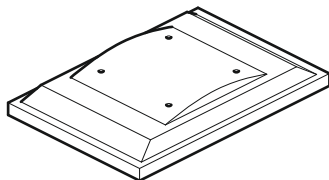
For TVs with flat/unobstructed back



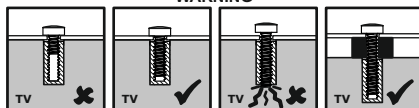
**Spacers**

**SP1**

For TVs with irregular/obstructed back



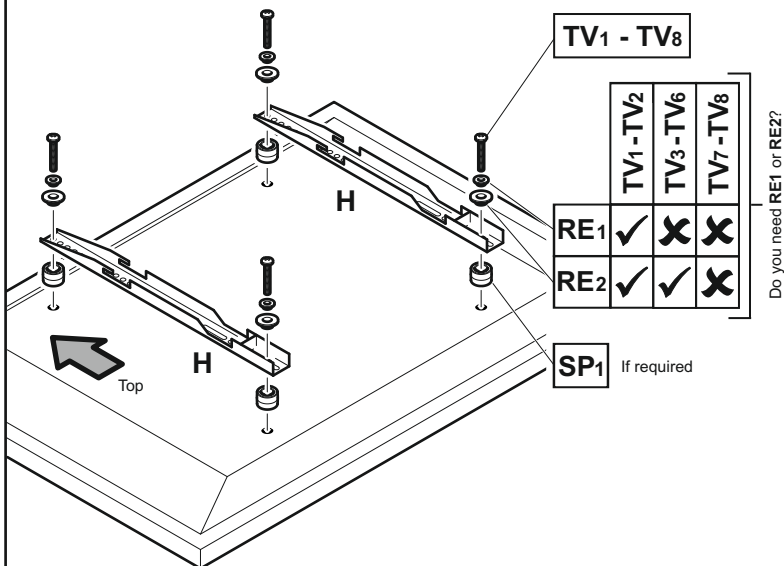
**WARNING**



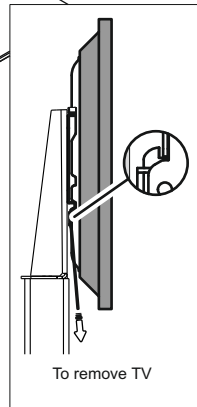
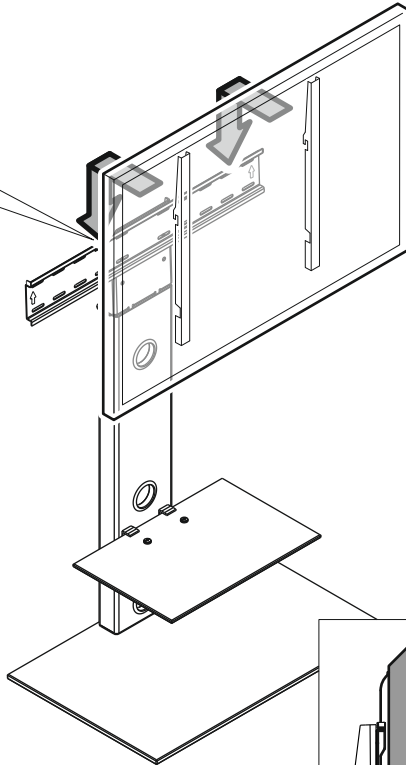
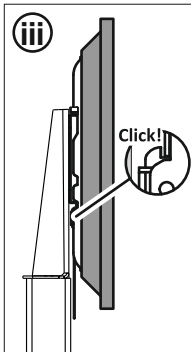
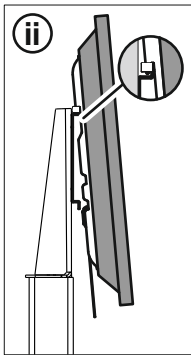
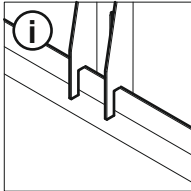
After completing step 9 you will have fittings left over, please keep for future reference.

10

Attach the bracket to the back of your TV using suitable screw, reducer and spacer combinations.  
If you have any issues fitting to the back of your TV with the supplied screws, please call the customer services helpline.



11





## Guarantee

This product is guaranteed for twelve months from the date of original purchase. If any defect should occur due to faulty materials or workmanship, the unit will either be replaced or refunded at our discretion.

You will need to have your receipt or proof of purchase.

**The following conditions apply:**

- The product must be returned to the retailer with original proof of purchase.
- It is only valid in the UK.
- It does not cover wear and tear, damage, misuse or consumable parts.
- The product must be correctly installed and operated in accordance with the instructions contained in the instruction manual.
- The product must be used solely for domestic purposes.
- The guarantee will be rendered invalid if the product is re-sold or has been damaged by inexpert repair.
- The guarantee is in addition to, and does not diminish your statutory or legal rights.

*Enjoy it.*

[www.blaupunkt.com](http://www.blaupunkt.com)

Imported by  
B&M Retail Ltd,  
L24 8RJ

Your statutory rights are not affected.  
Made in China.

All brand names are registered trademarks of their respective owners.