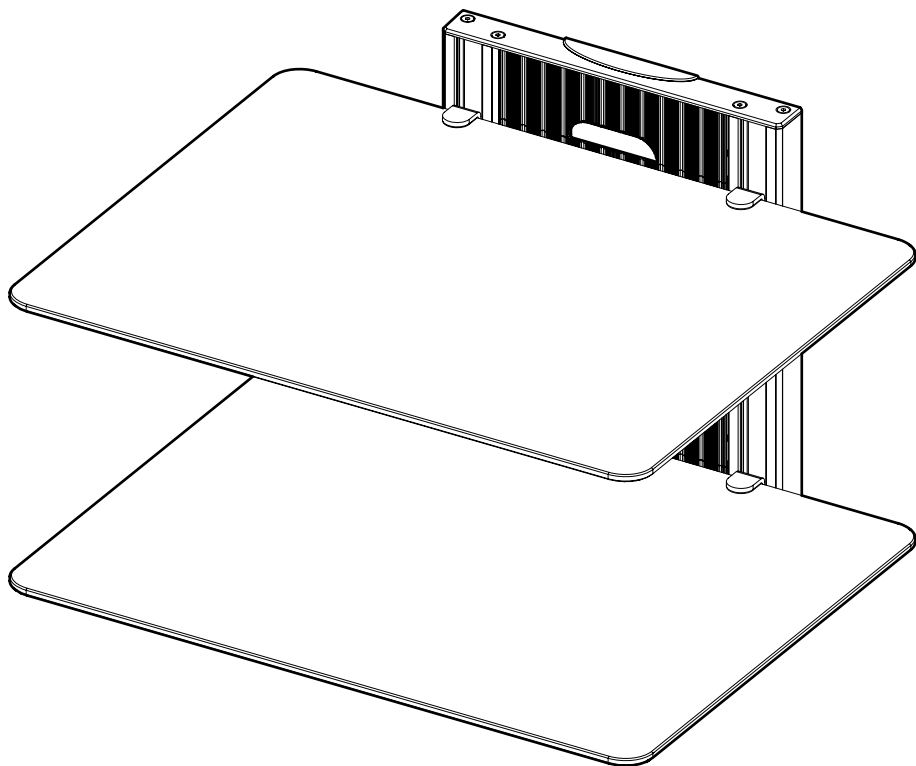


jl.avfgroup.com



467635 rev00



Read through **ALL** instructions before commencing installation.

If you have any questions about this product or issues with installation, contact the customer services help line before returning this product to the store.

CUSTOMER SERVICES HELP LINE NUMBER: **0333 320 0463 (UK)**

Index

1 Planning and Preparation

2 Marking Wall for Drill Points

3 Fitting the Wall Bracket

4 Fitting the Cable Management

5 Fitting the Trim

6 Shelf Assembly

7 Fitting the Shelf

8 Additional Shelf Location

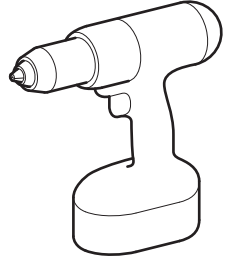
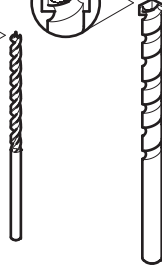
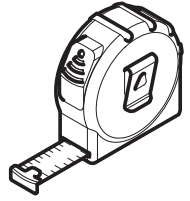
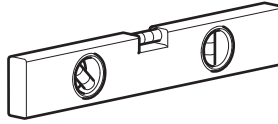
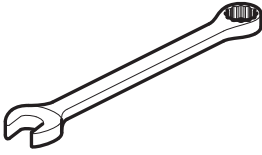
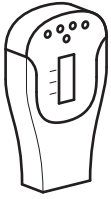
Retain all packaging in case the product needs to be returned.

Contents may vary from photography / illustrations.

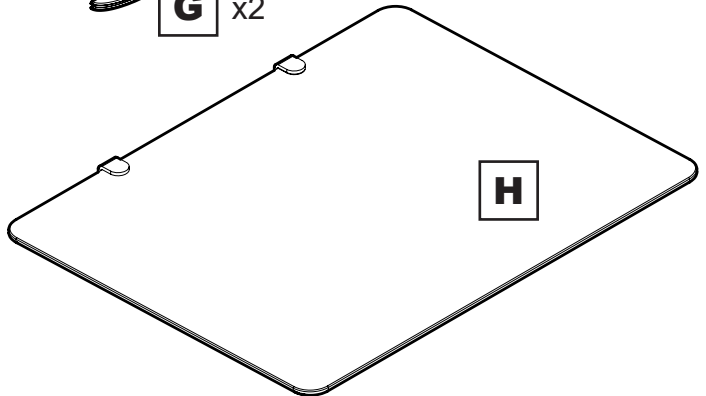
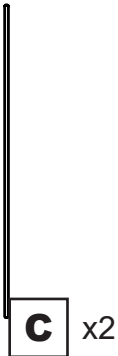
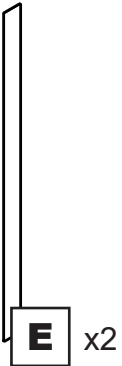
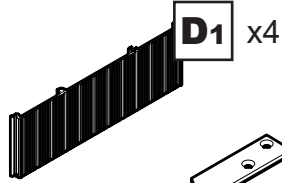
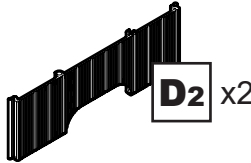
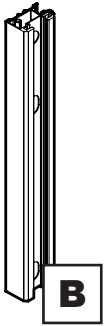
You will not need all these parts, so expect there to be some left over depending upon the specification of your TV.

This product is intended for indoor use only. Use of this product outdoors could lead to failure and personal injury.

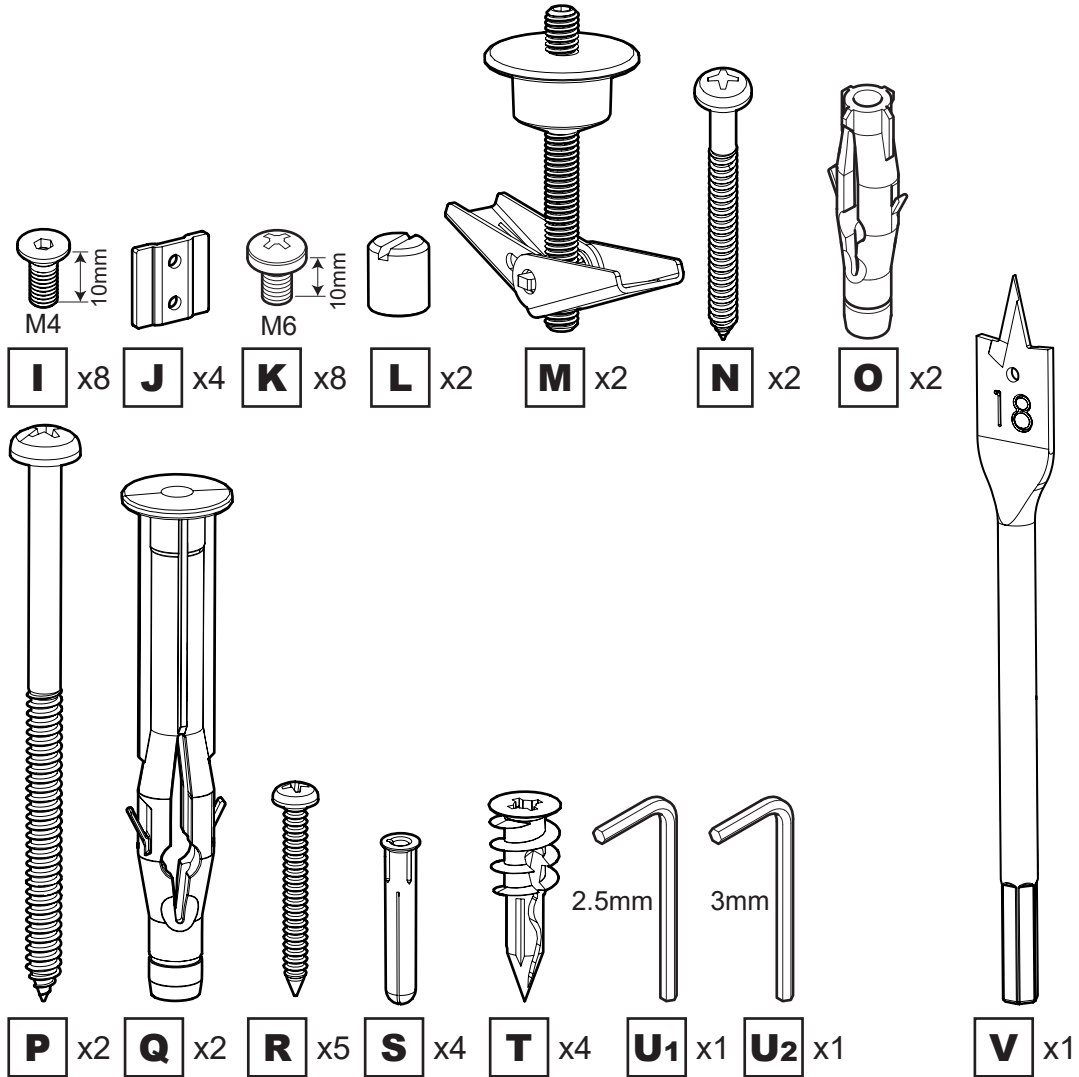
Tools Recommended



Boxed Parts



Boxed Parts



1

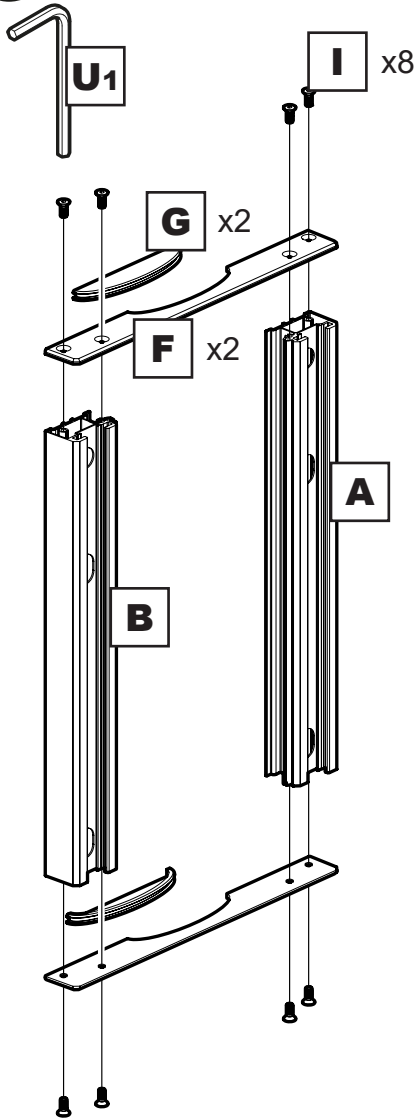
Planning and Preparation

Determine the wall type that you have (i.e. Brick/Stud/Plasterboard/Sheetrock).
 Ensure the drilling area is free from mains services (Gas/Electric/Water).
 Drill three 3mm pilot holes to verify the wall type and select the appropriate fixings.

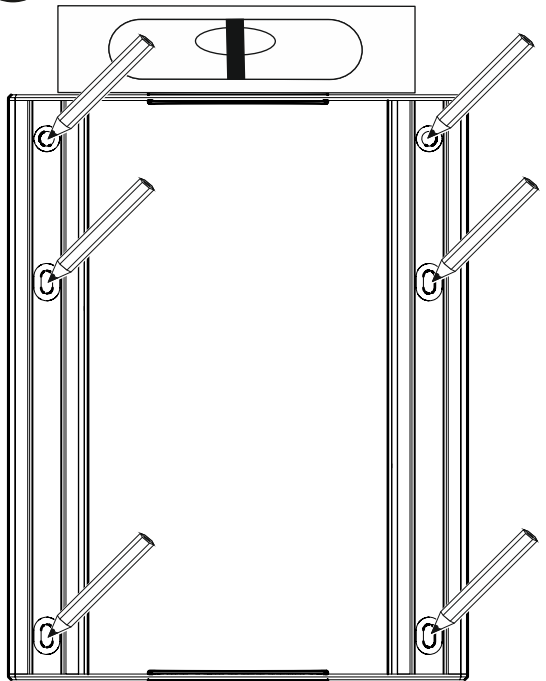
2

Marking Wall for Drill Points

i



ii



3

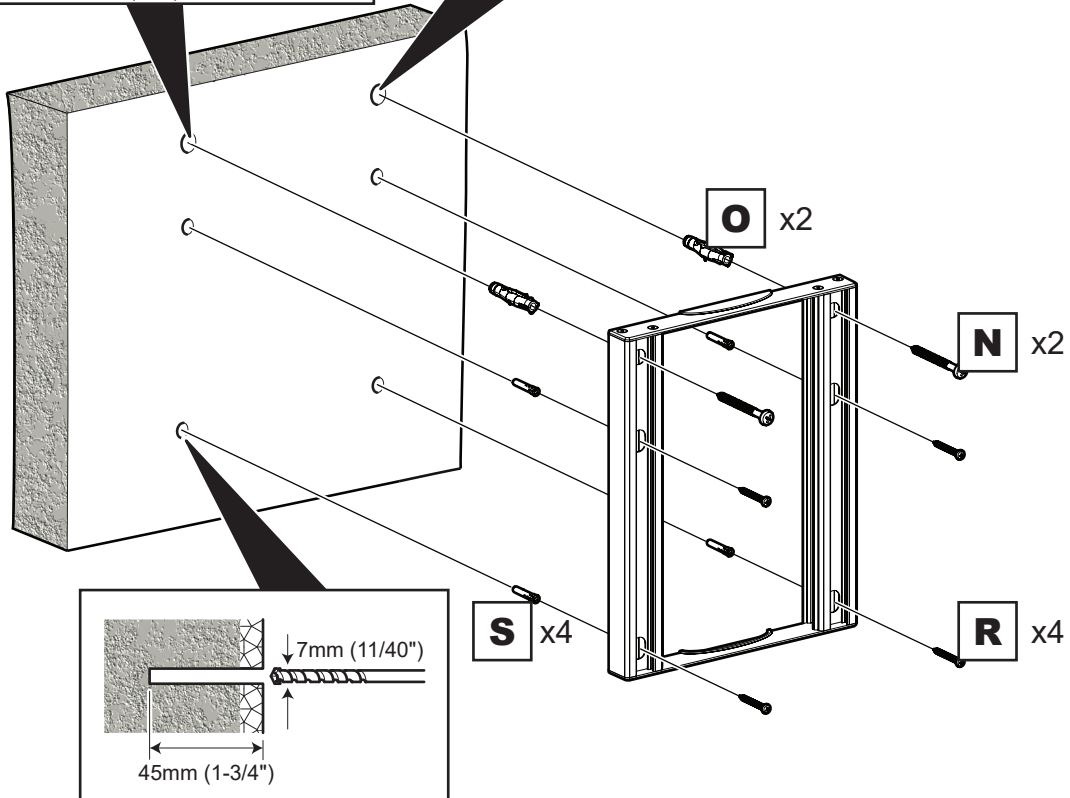
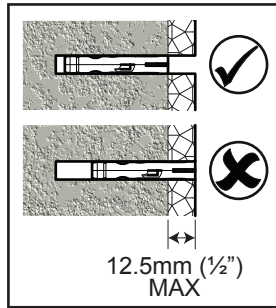
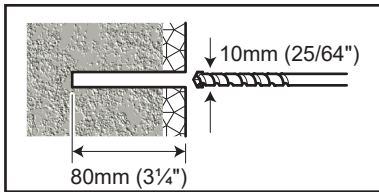
Fitting the Wall Bracket

Use the correct fixings for your wall type. Mixing fixing types may be required for installations that span different wall types. DO NOT OVER TIGHTEN SCREWS.

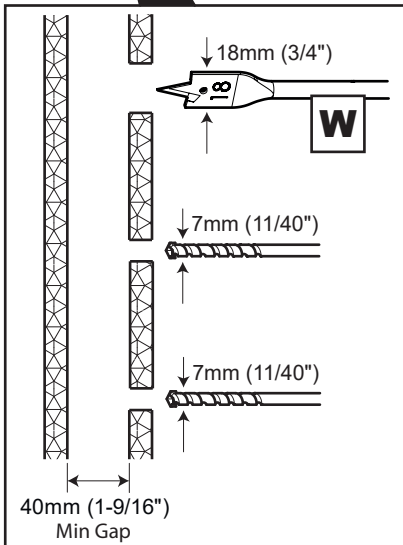
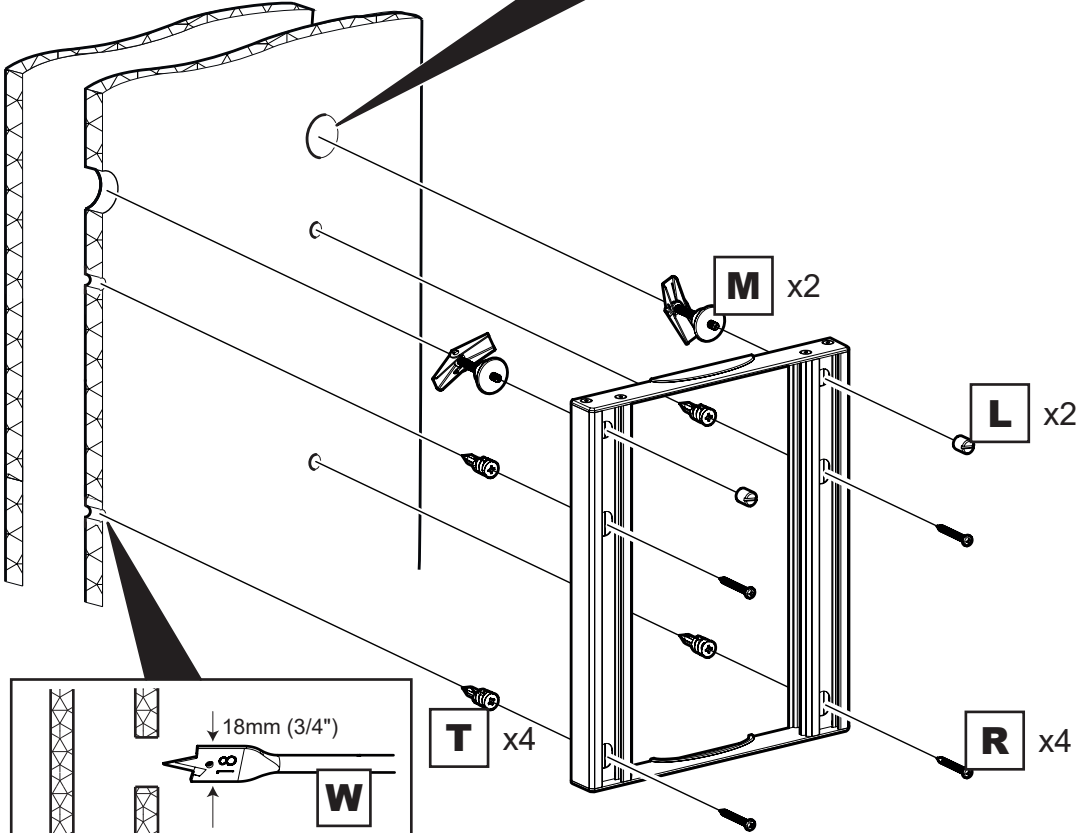
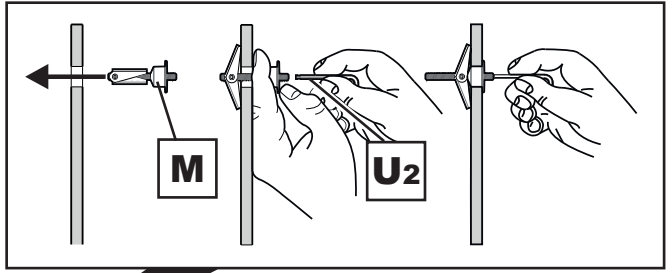
Solid Wall



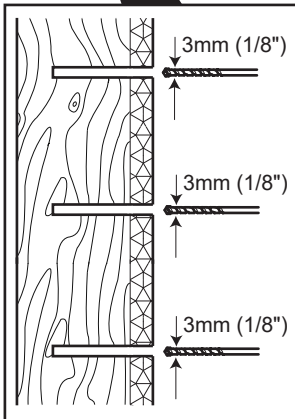
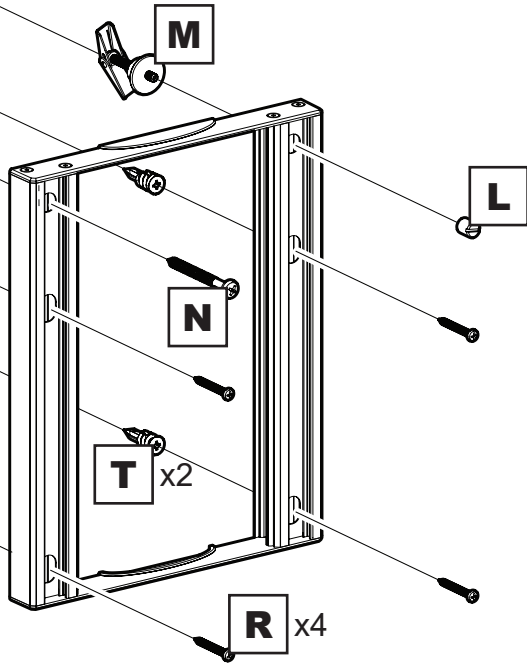
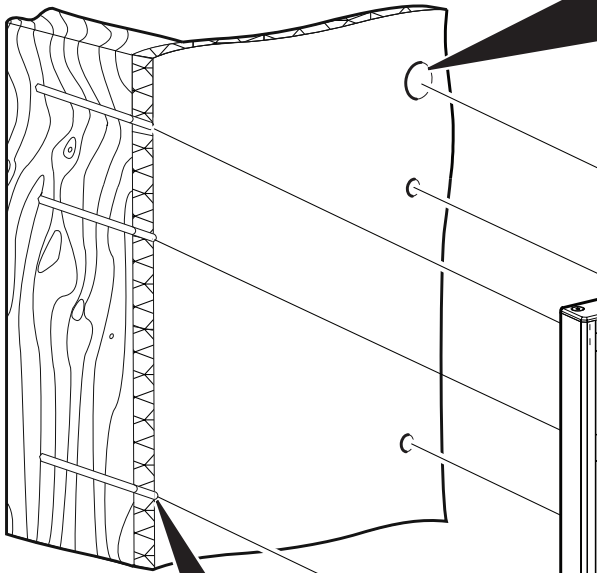
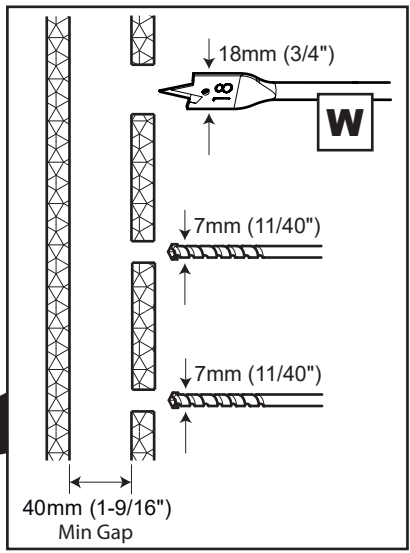
Remove Dust from Hole



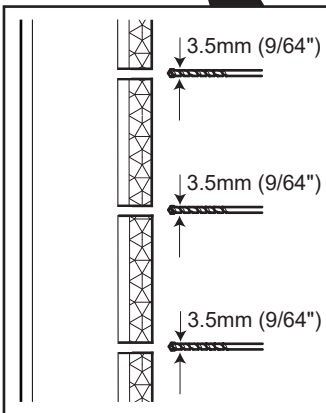
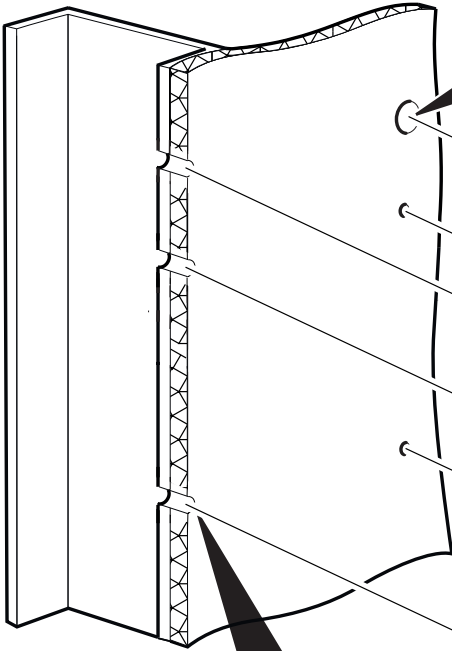
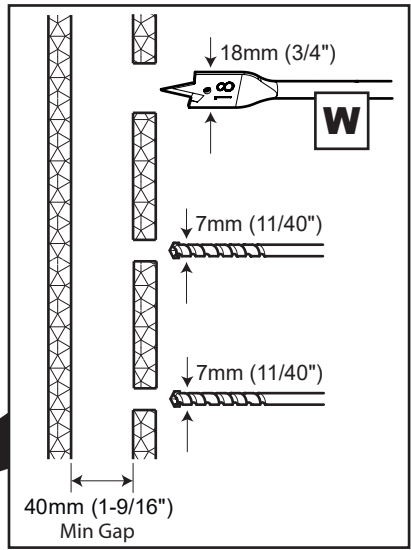
Plasterboard / Sheetrock



Wood Stud



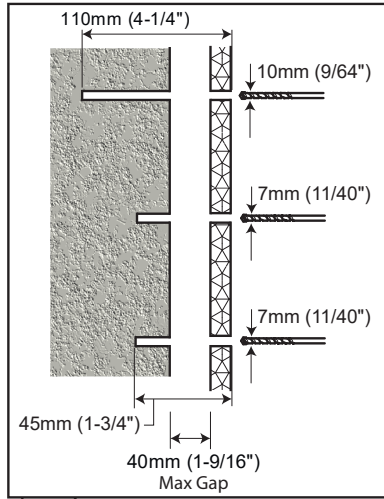
Metal Stud



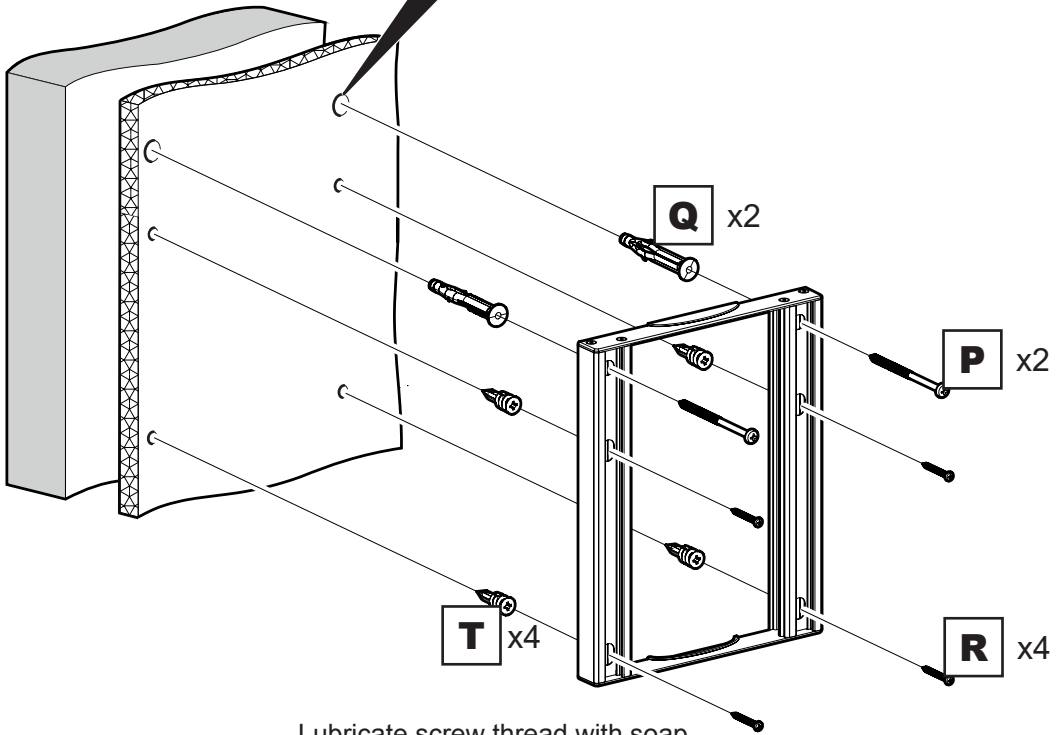
Dot and Dab



Remove Dust from Hole



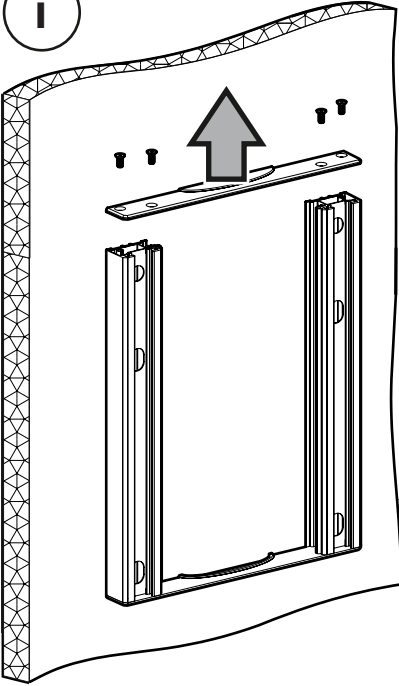
If the gap is greater than 40mm use the Plasterboard/Sheetrock fixing method.



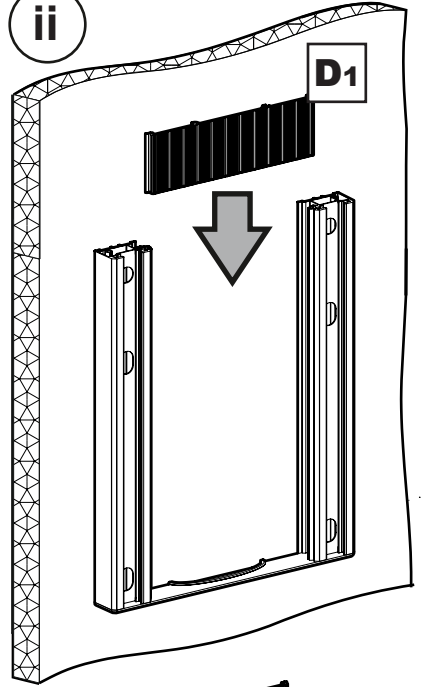
4

Fitting the Cable Management

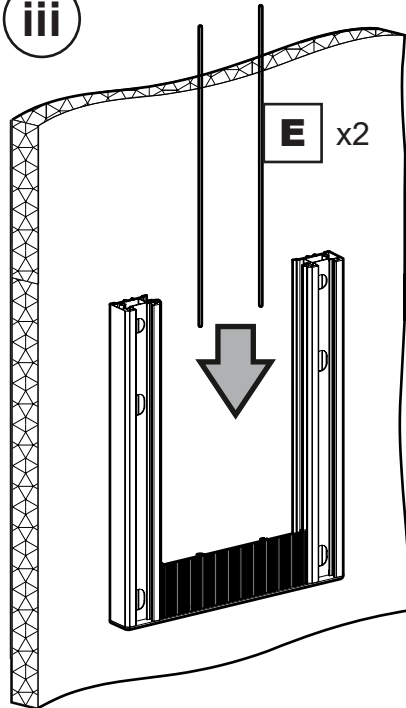
i



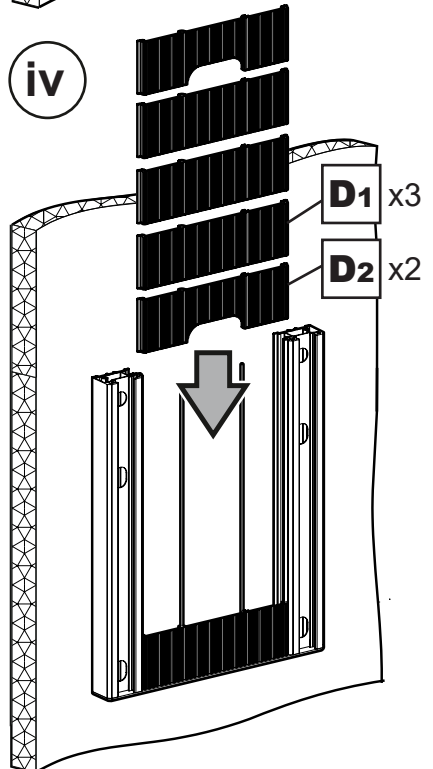
ii



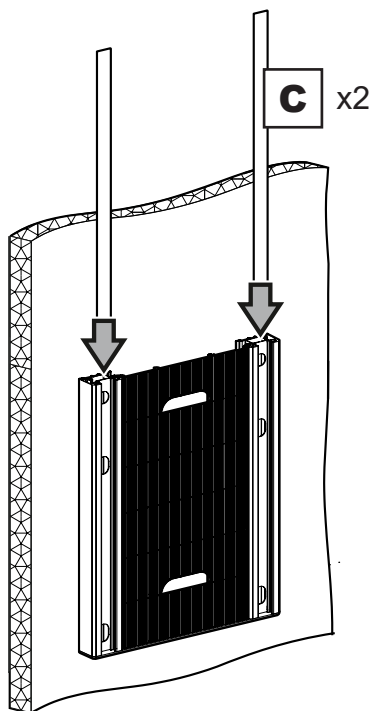
iii



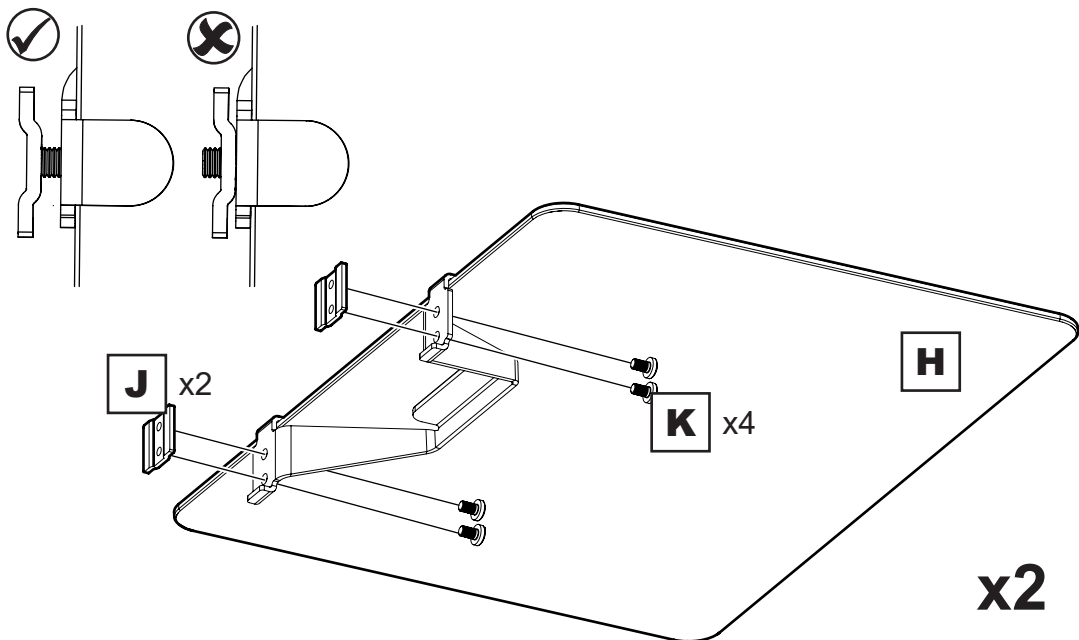
iv



5 Fitting the Trim

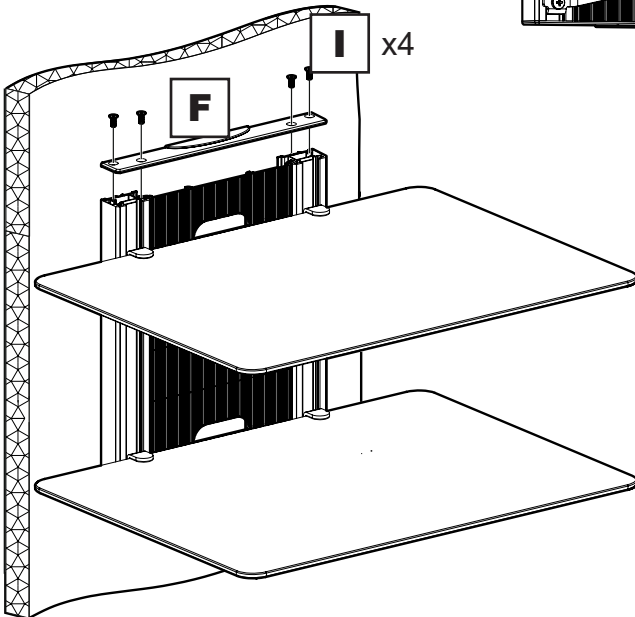
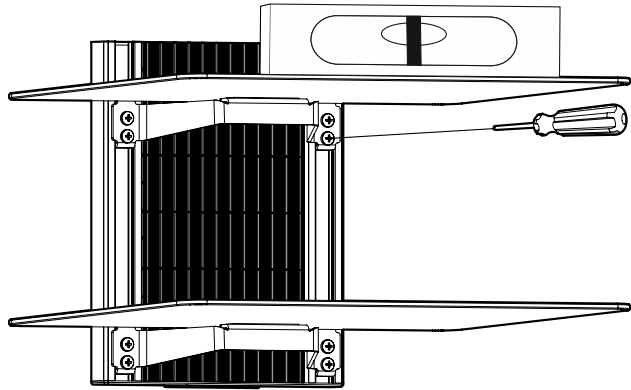
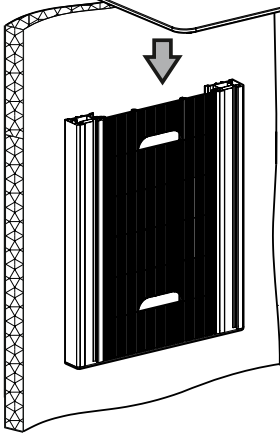
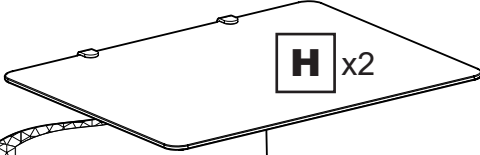
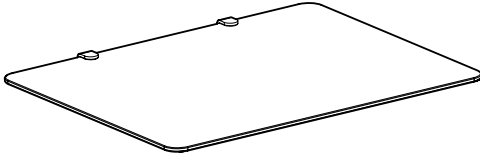


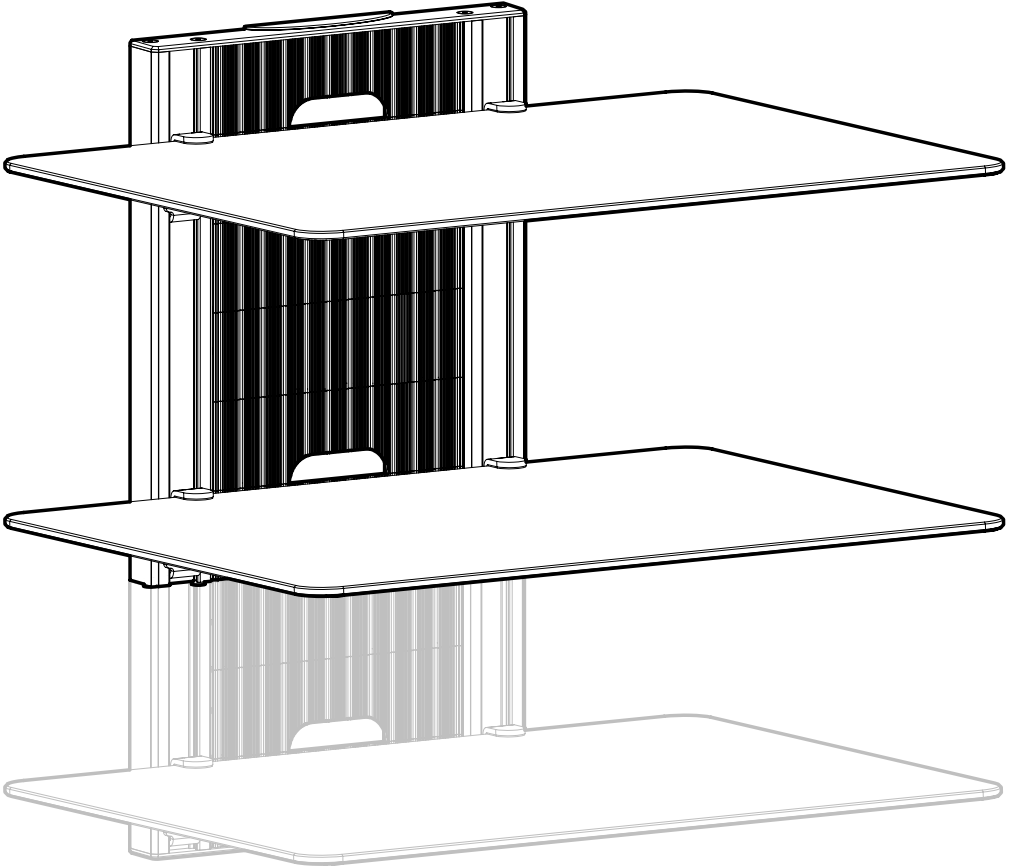
6 Shelf Assembly



7

Fitting the Shelf





Additional shelf units can be purchased separately.