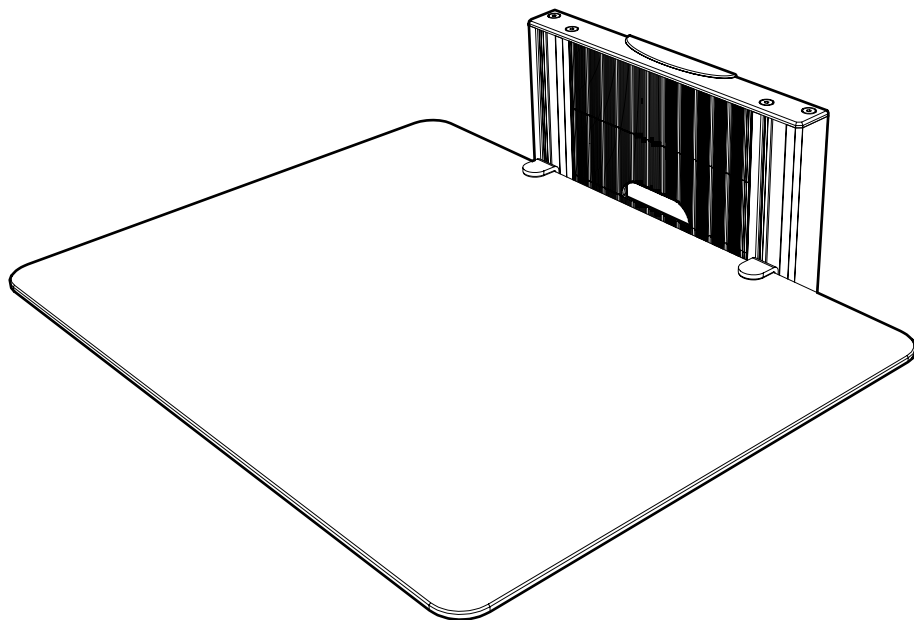


jl.avfgroup.com



467633 rev02



Read through **ALL** instructions before commencing installation.

If you have any questions about this product or issues with installation, contact the customer services help line before returning this product to the store.

CUSTOMER SERVICES HELP LINE NUMBER: **0333 320 0463 (UK)**

## Index

**1** Planning and Preparation

**2** Marking Wall for Drill Points

**3** Fitting the Wall Bracket

**4** Fitting the Cable Management

**5** Fitting the Trim

**6** Shelf Assembly

**7** Fitting the Shelf

**8** Additional Shelf Location

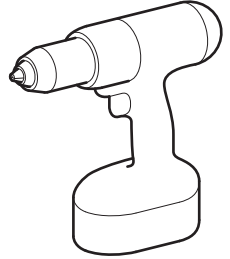
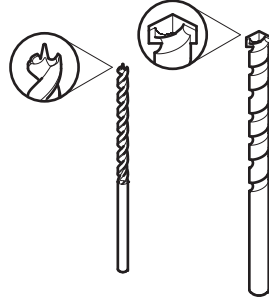
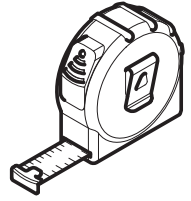
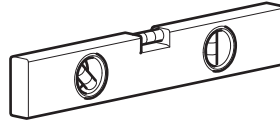
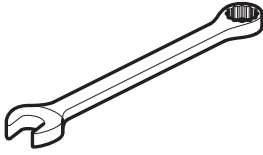
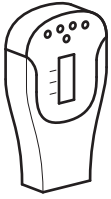
Retain all packaging in case the product needs to be returned.

Contents may vary from photography / illustrations.

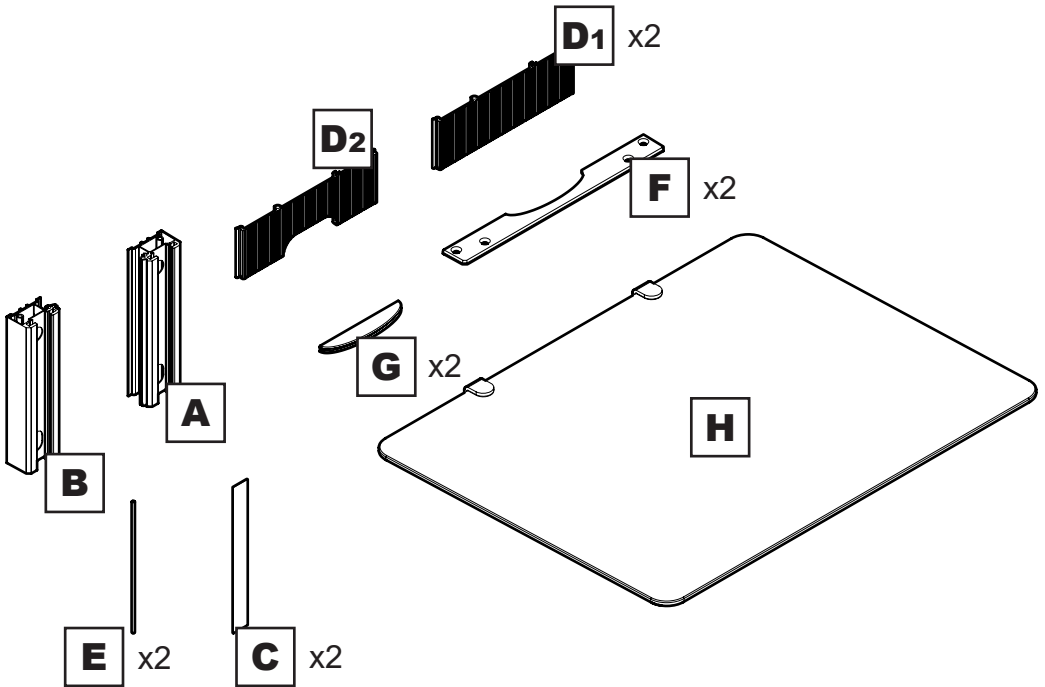
You will not need all these parts, so expect there to be some left over depending upon the specification of your TV.

This product is intended for indoor use only. Use of this product outdoors could lead to failure and personal injury.

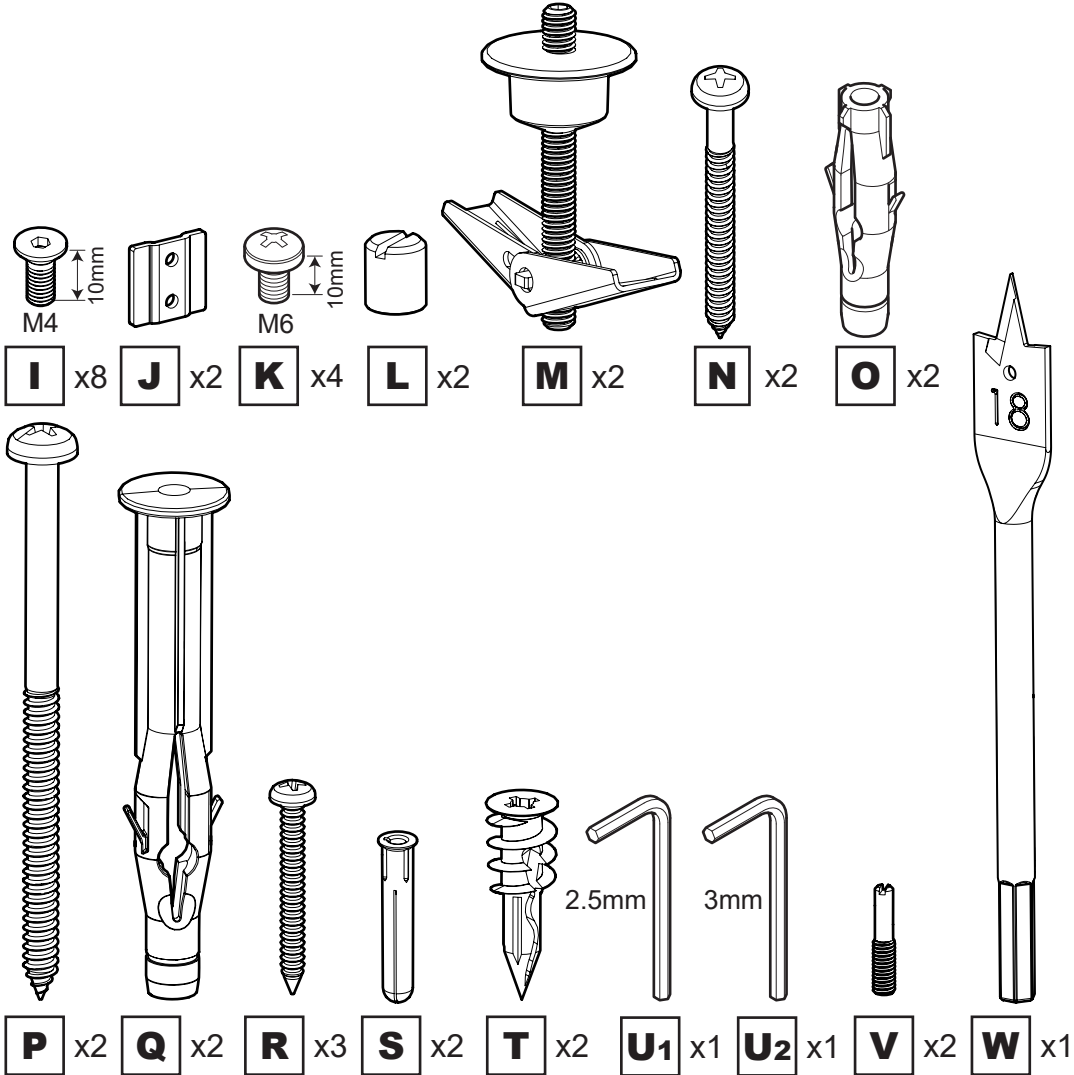
## Tools Recommended



## Boxed Parts



## Boxed Parts



## 1 Planning and Preparation

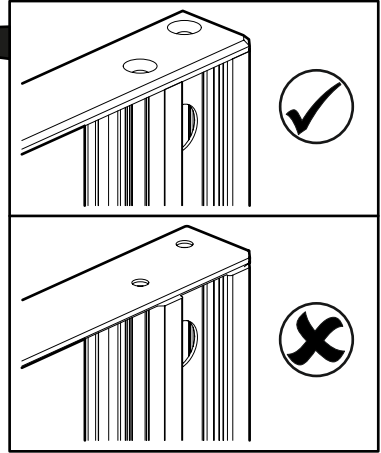
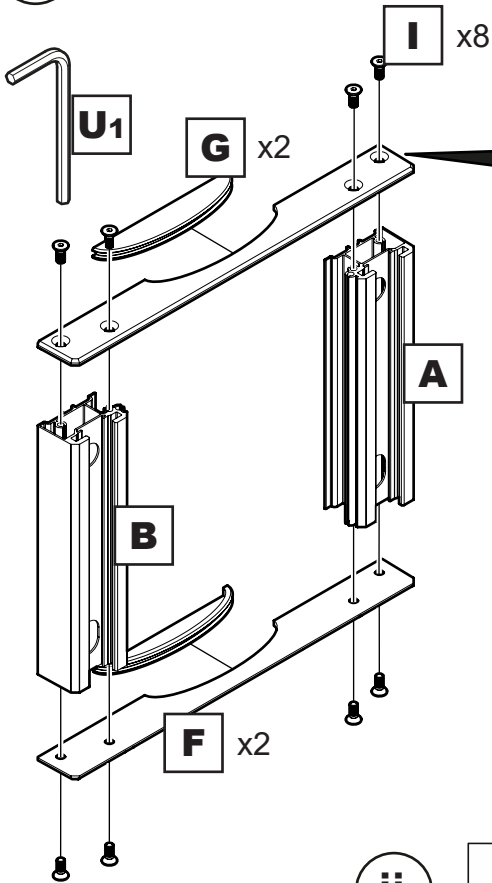
Determine the wall type that you have (i.e. Brick/Stud/Plasterboard/Sheetrock).  
 Ensure the drilling area is free from mains services (Gas/Electric/Water).  
 Drill three 3mm pilot holes to verify the wall type and select the appropriate fixings.

# 2

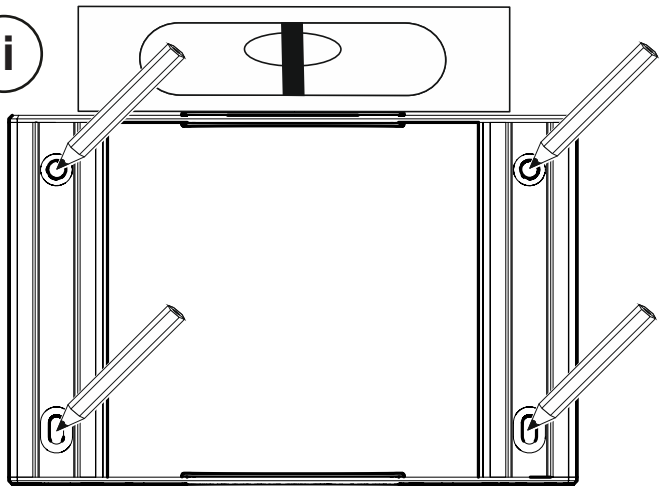
## Marking Wall for Drill Points

i

If fitting additional shelving units see step 8.



ii



# 3

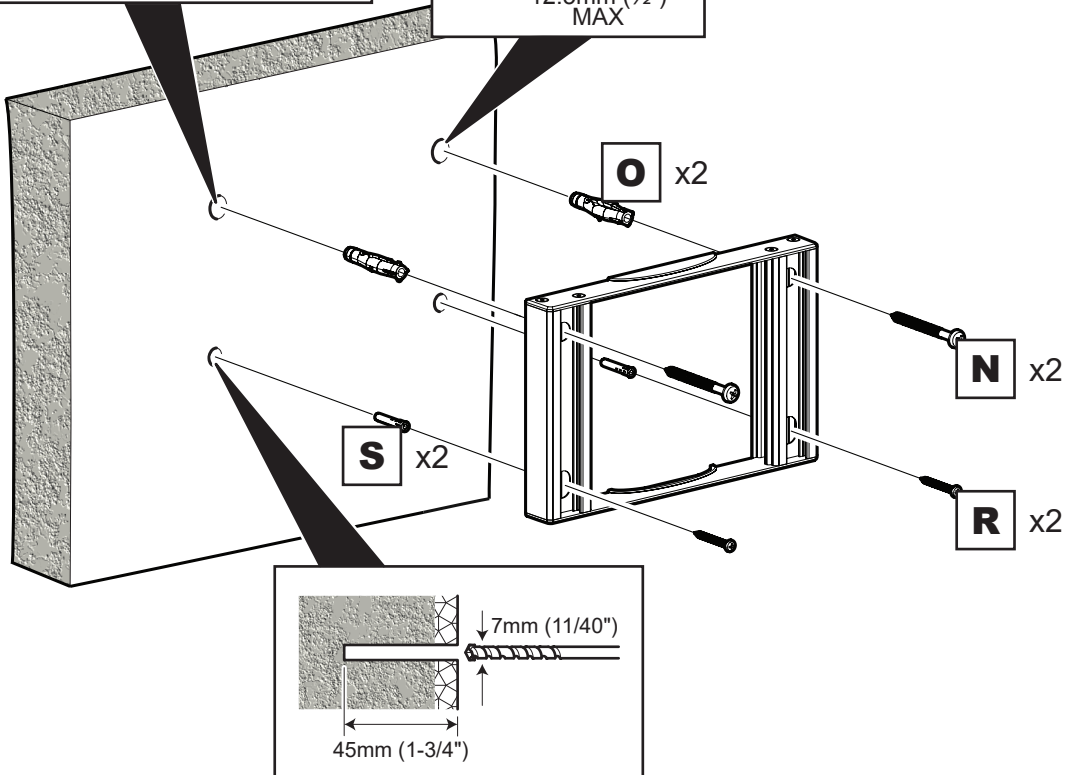
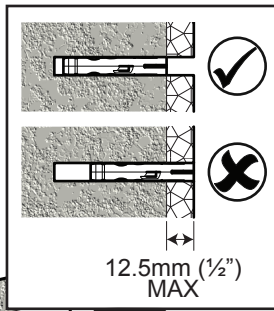
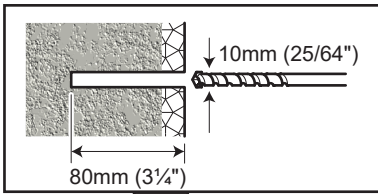
## Fitting the Wall Bracket

Use the correct fixings for your wall type. Mixing fixing types may be required for installations that span different wall types. **DO NOT OVER TIGHTEN SCREWS.**

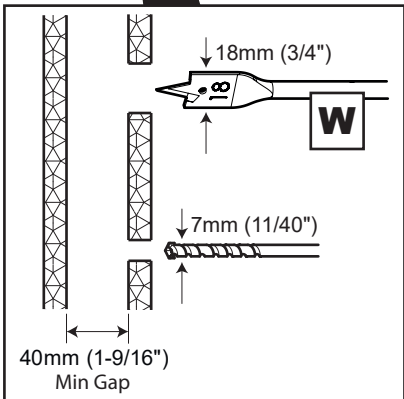
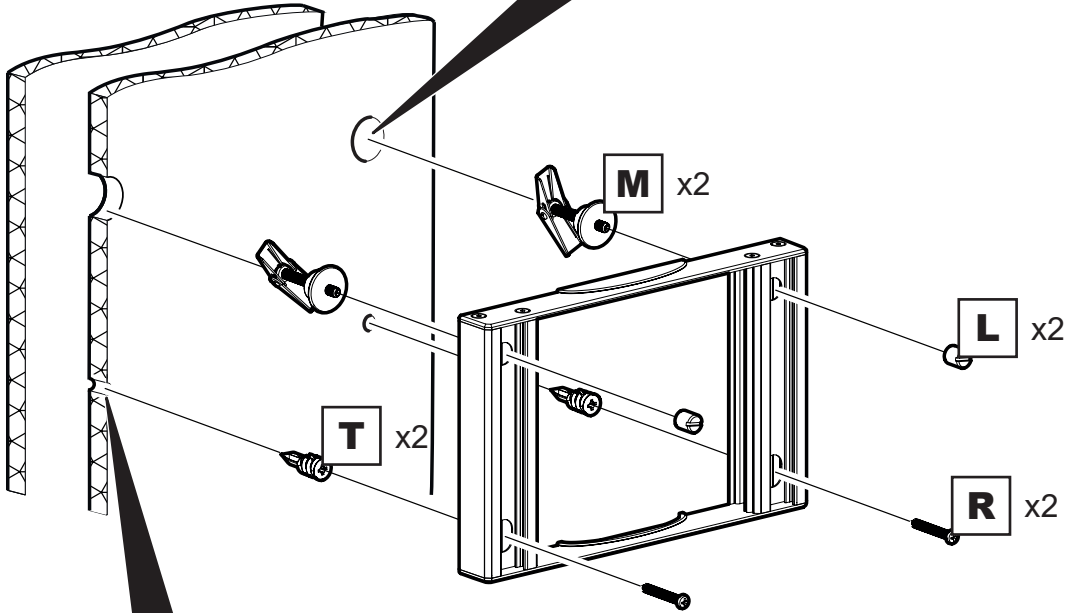
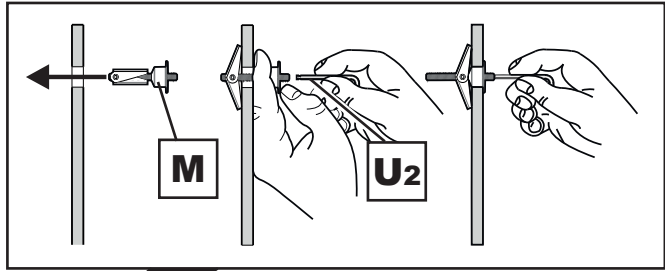
### Solid Wall



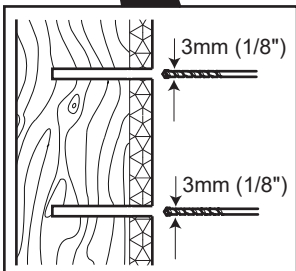
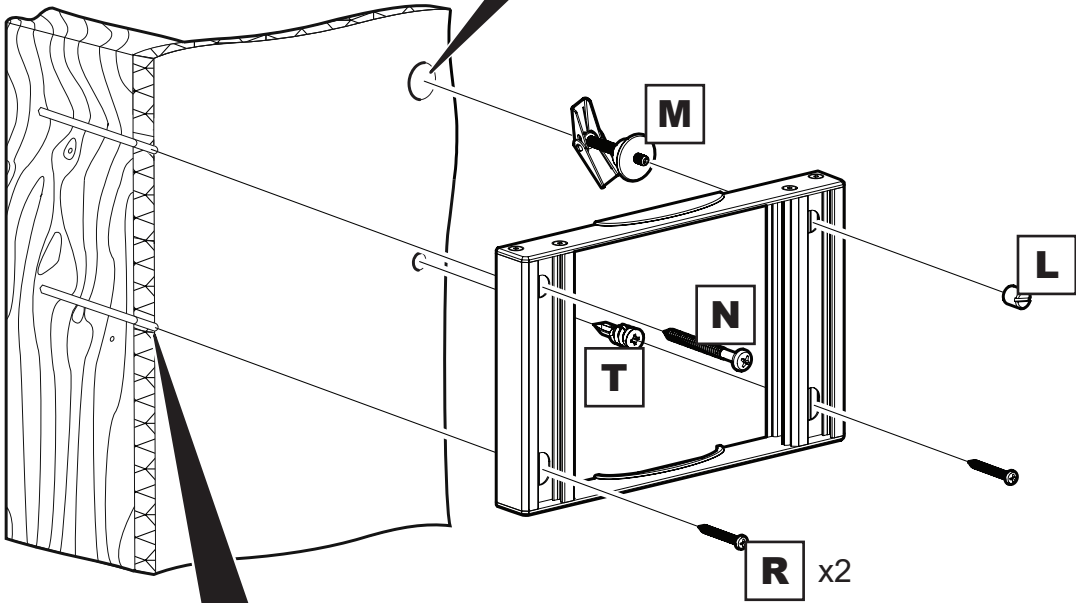
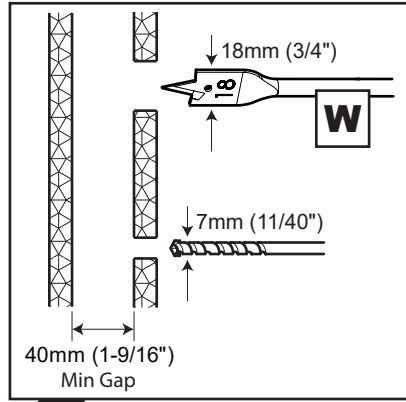
Remove Dust from Hole



Plasterboard / Sheetrock

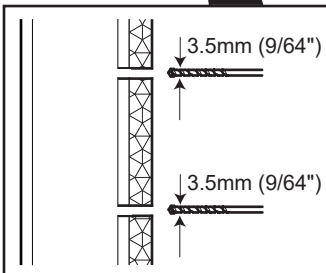
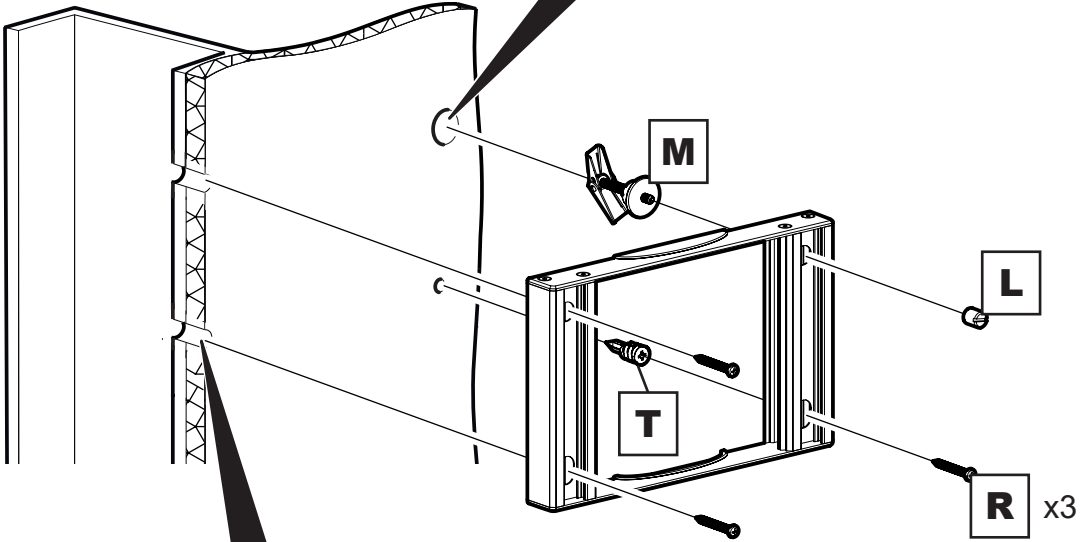
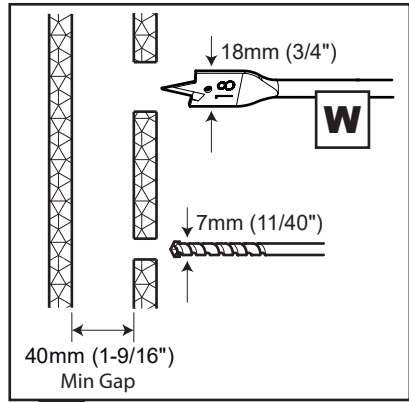


**Wood Stud**





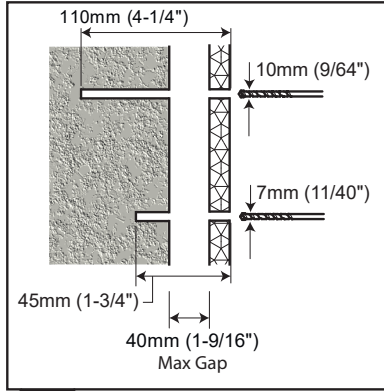
**Metal Stud**



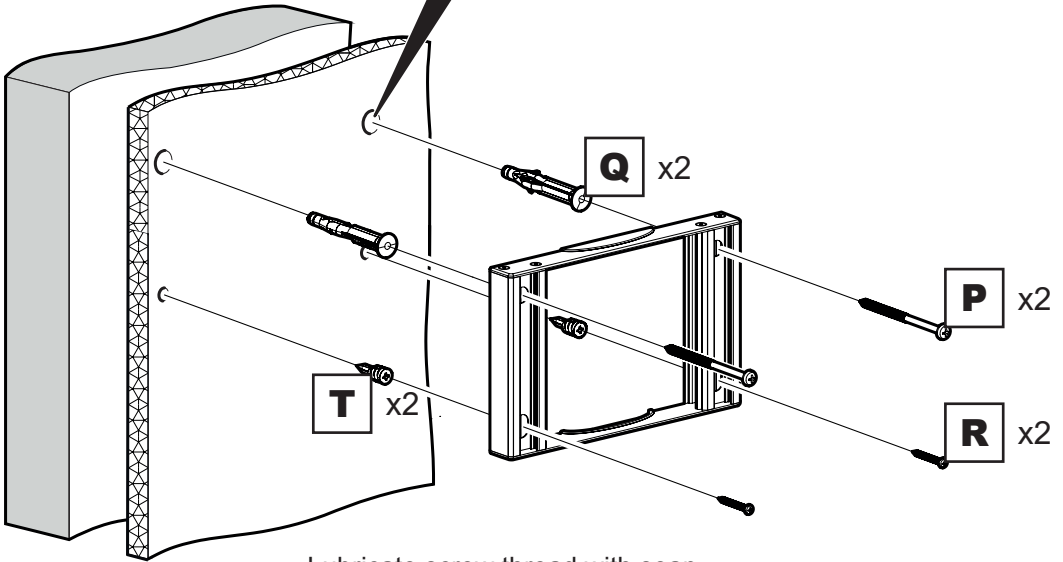
**Dot and Dab**



Remove Dust from Hole



If the gap is greater than 40mm use the Plasterboard/Sheetrock fixing method.

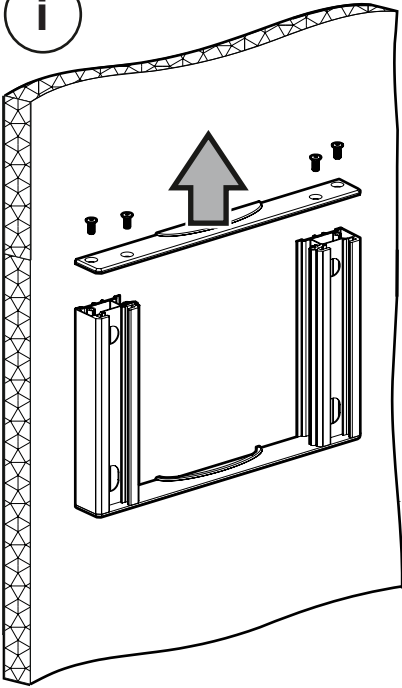


Lubricate screw thread with soap

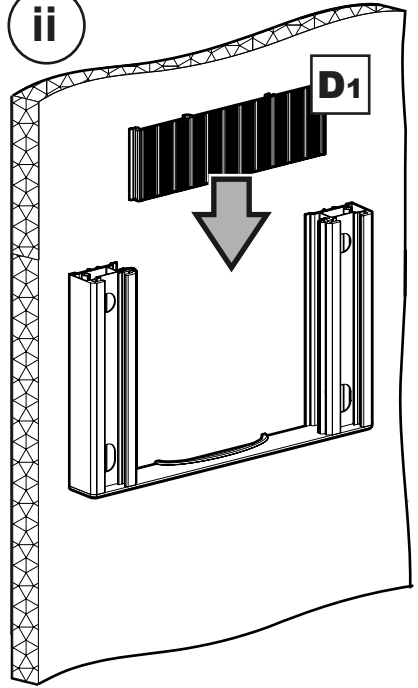
# 4

## Fitting the Cable Management

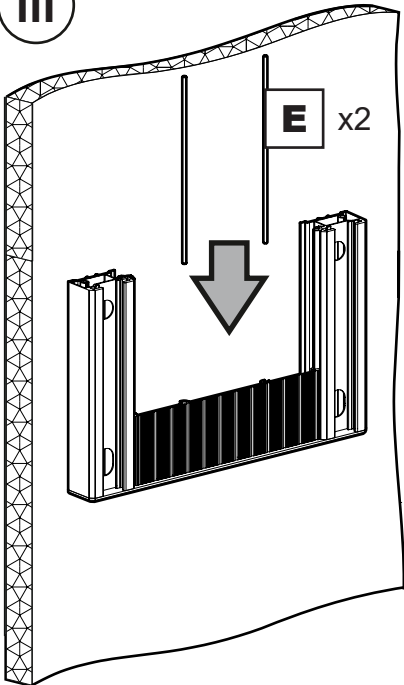
i



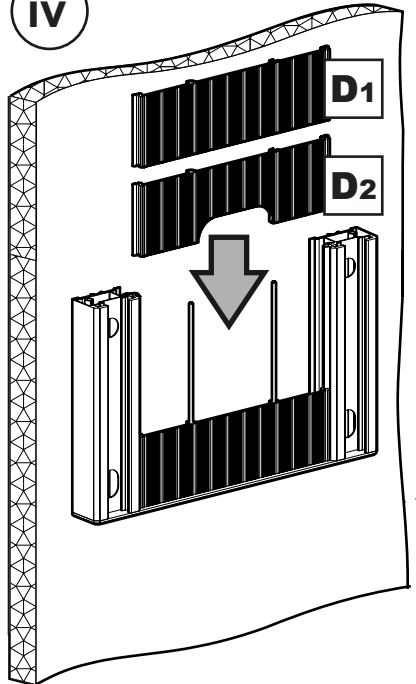
ii



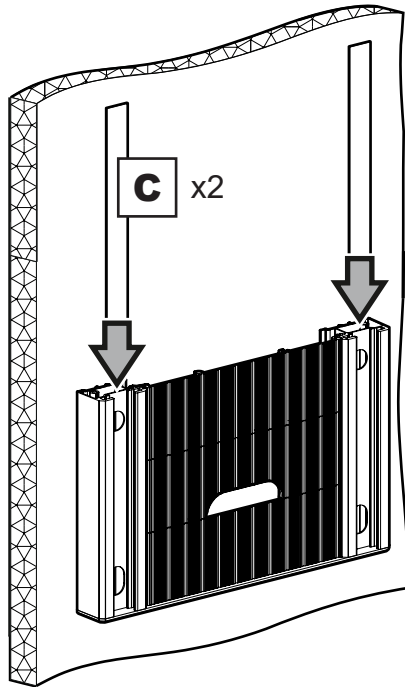
iii



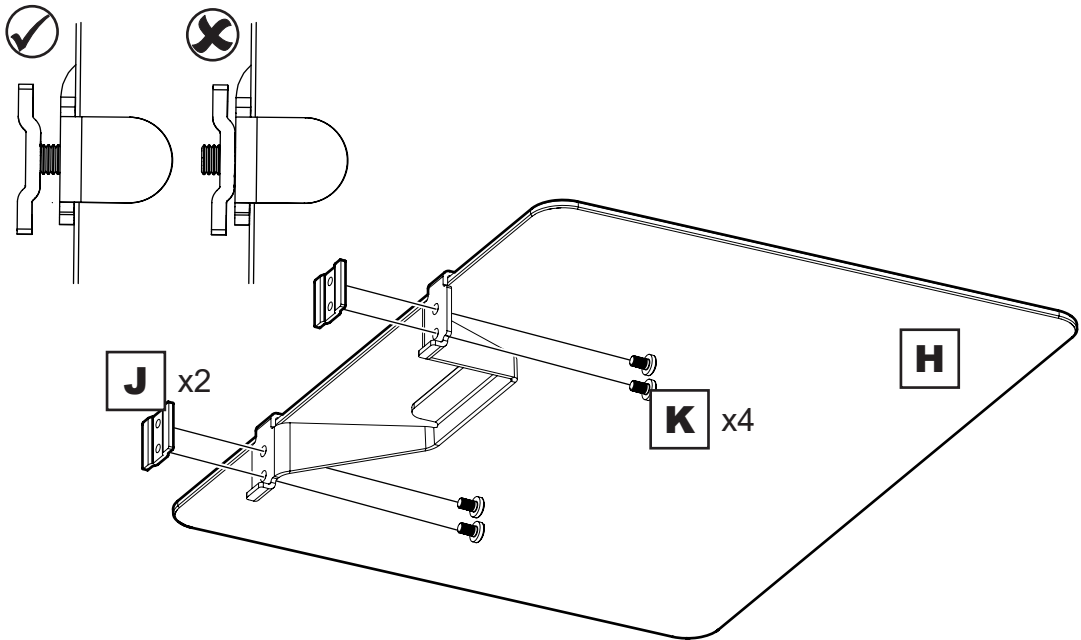
iv



## 5 Fitting the Trim

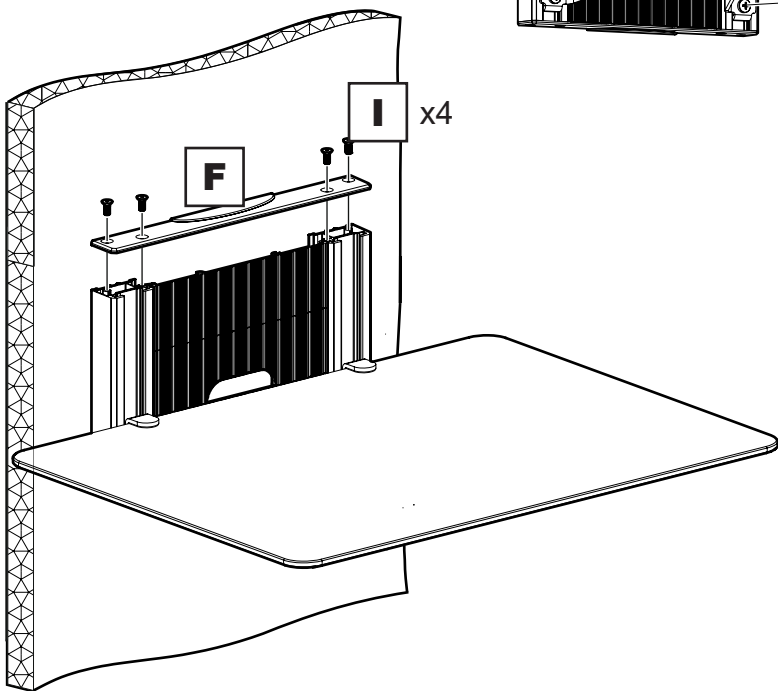
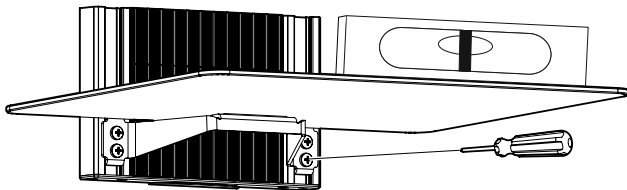
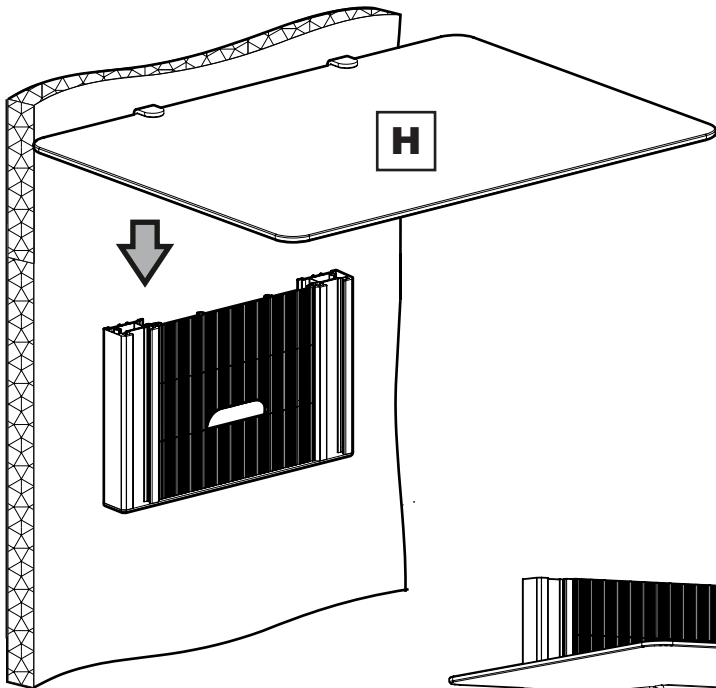


## 6 Shelf Assembly

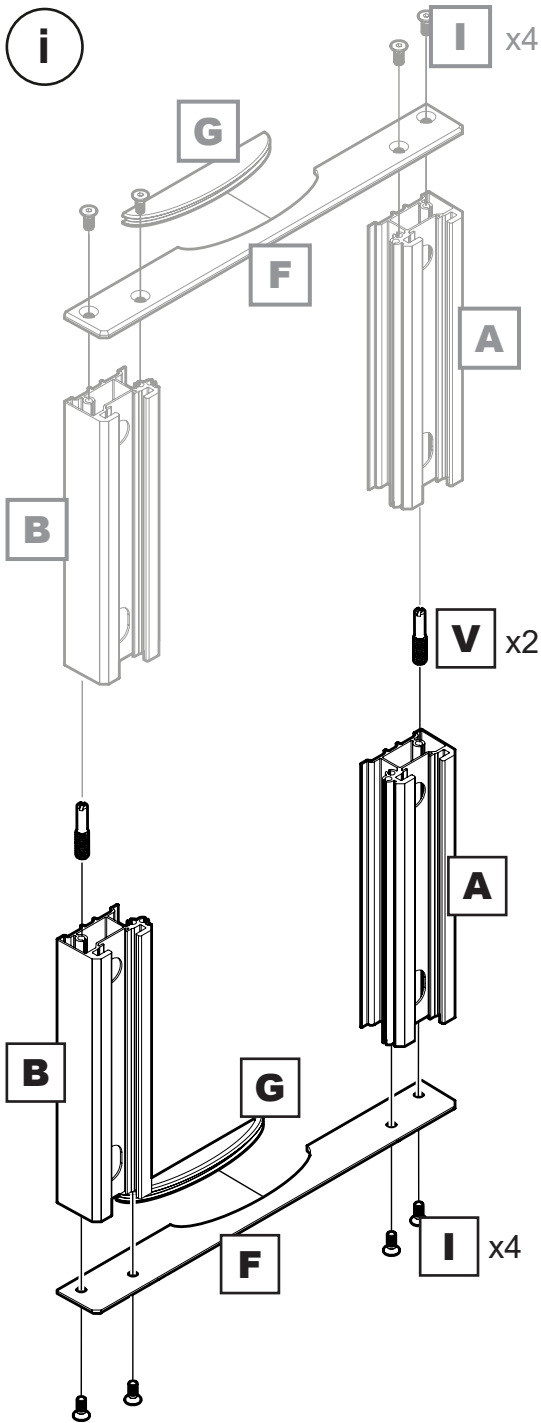


# 7

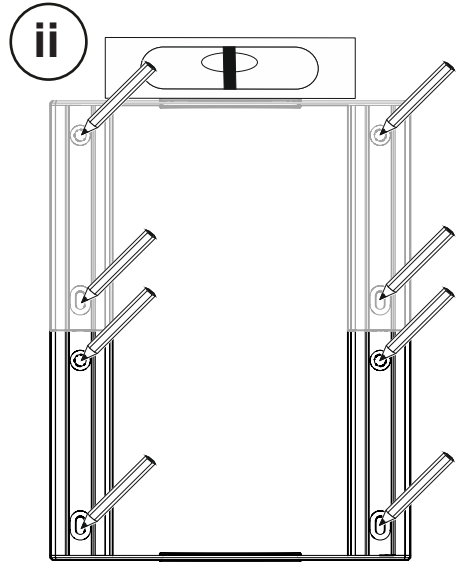
## Fitting the Shelf



i



ii



Follow steps 3 to 7