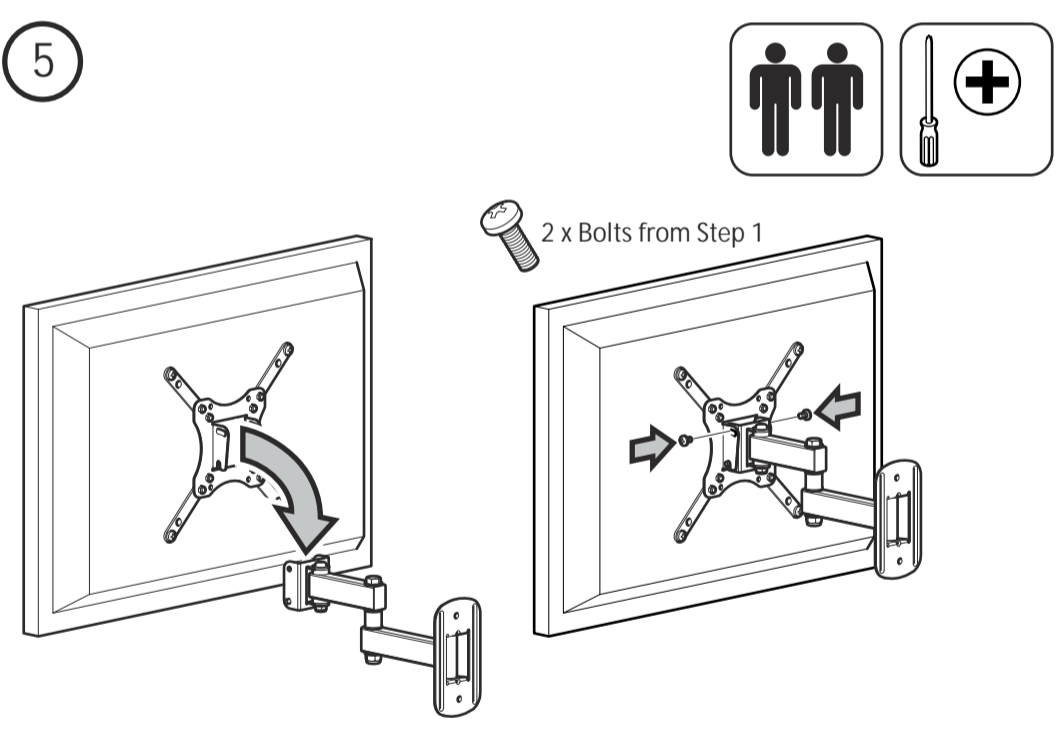
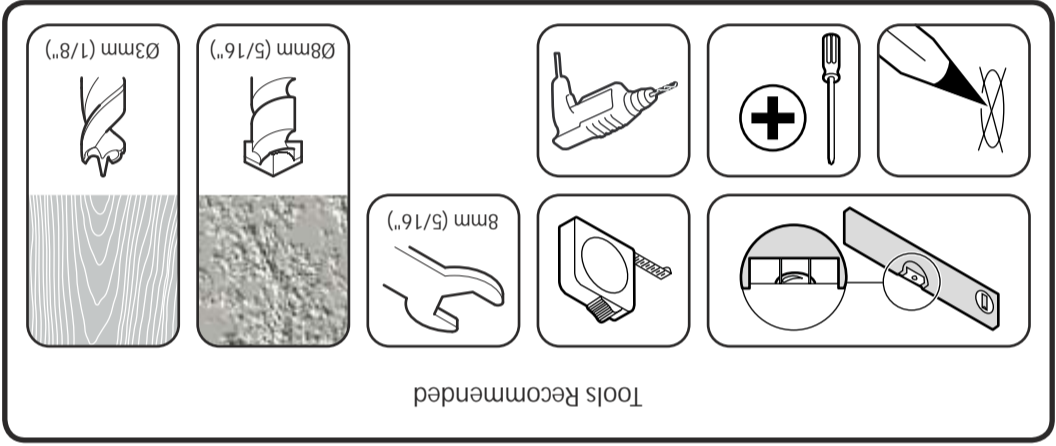
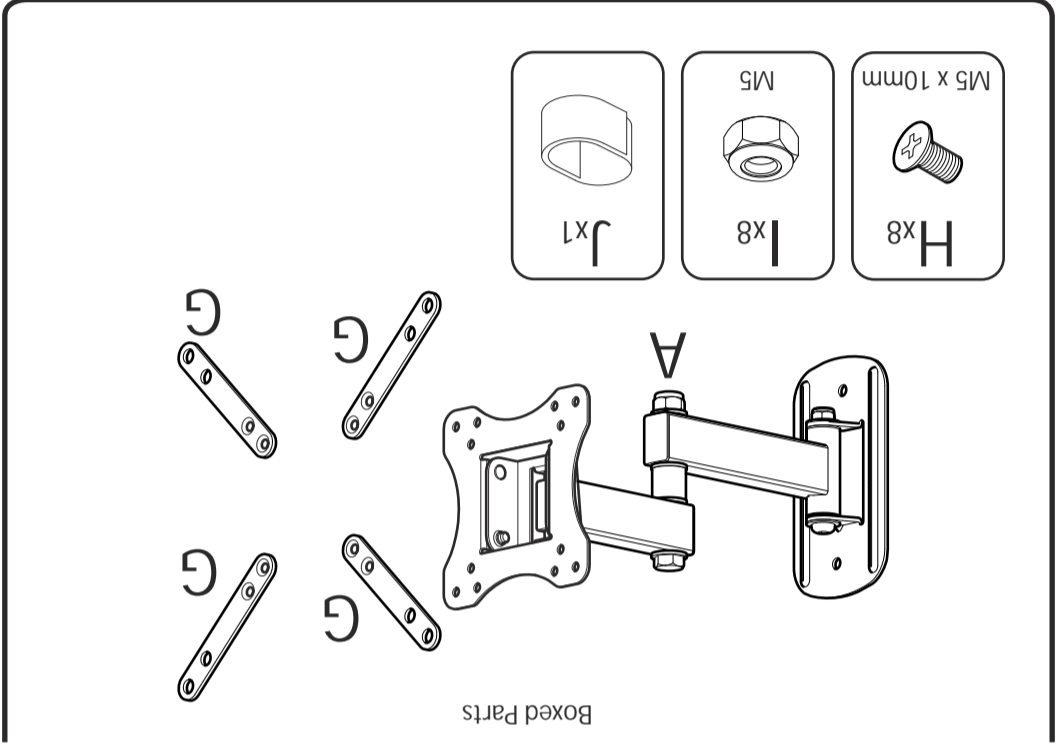
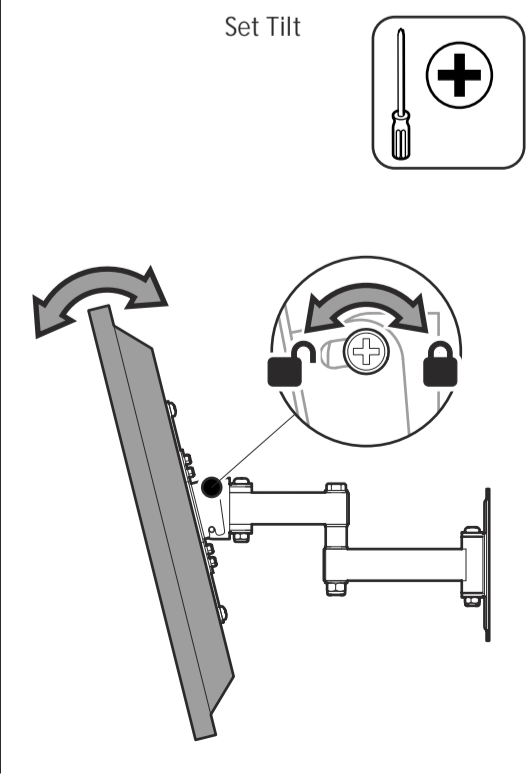
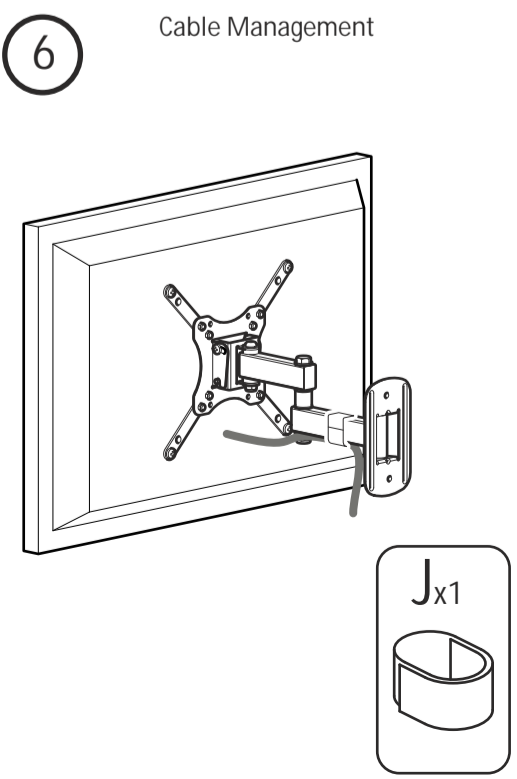
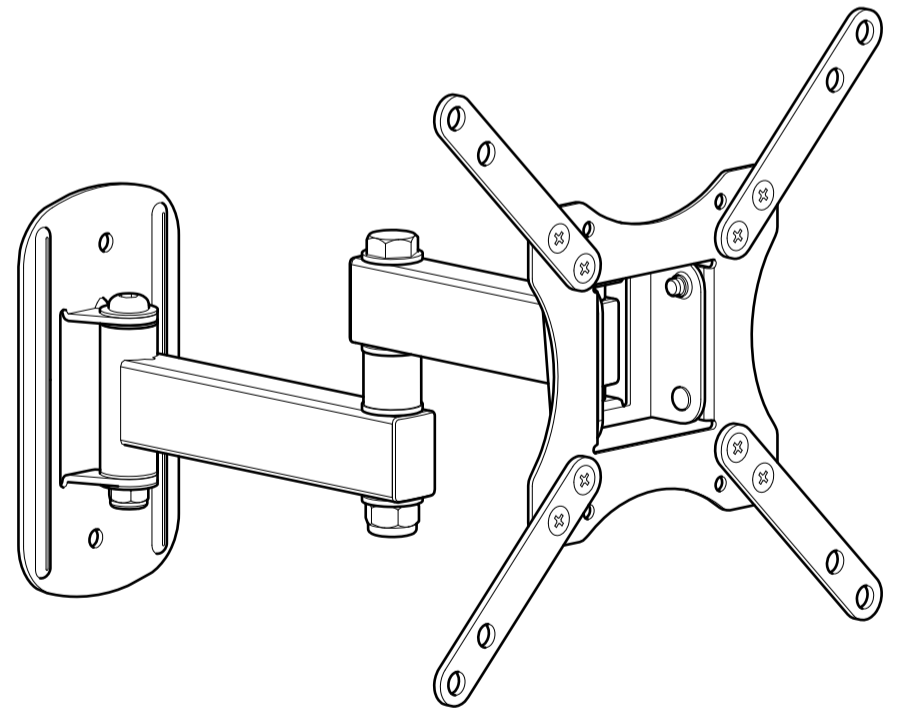


Retain all packaging in case the mount needs to be returned. Contents may vary from photography/illustrations. You will not need all these parts, so expect there to be some left over depending upon the specification of your TV. This product is intended for indoor use only. Use of this product outdoors could lead to failure and personal injury. It is the responsibility of the installer to ensure that the mounting wall is of a suitable standard and void of any services (eg gas, electricity, water etc). AVF accept no responsibility for any damage or loss caused by installing this product in a sub standard wall. Periodically check all nuts and bolts are tight.



SAL24 Leaflet No. 466552rev00

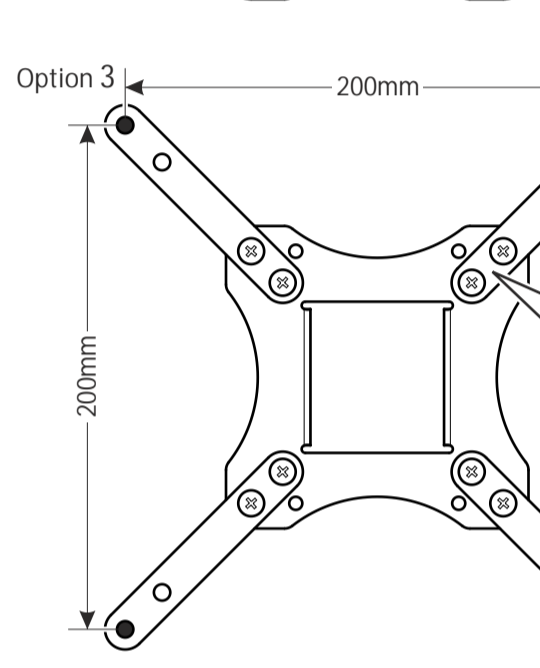
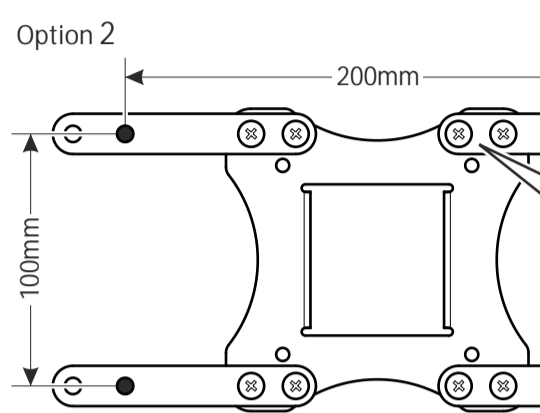
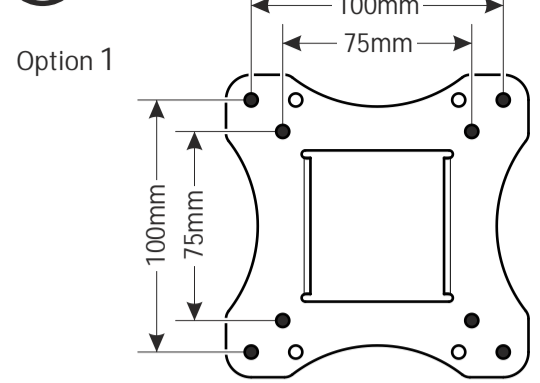


STOP Read through ALL instructions before commencing installation. If you have any questions about this product or issues with installation contact the customer services help line before returning this product to the store.

This product is designed to fit most TVs up to 40" weighing up to 20kg.

Compatibility is based on new and recent TV models, some older TVs from 32" up may require a larger TV Mount. If you are unsure or need advice please call our **Consumer Helpline* on 0333 200 463.**

2 Measure the TV fixing holes Width and Height



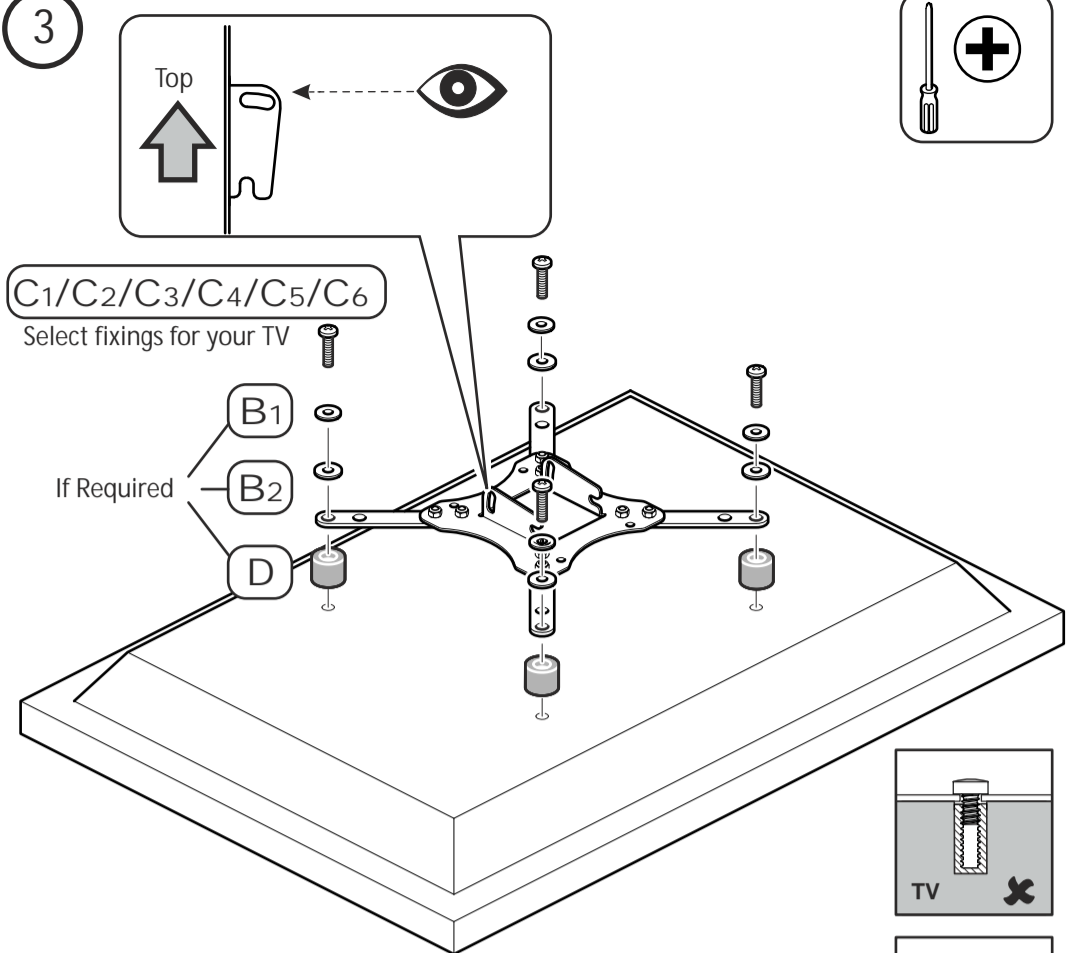
Ø8mm (5/16")

Hx8 M5 10mm

Ix8 M5

If Using Adapters 'G'

3



M4 C1/C2

M6 C3/C4

M8 C5/C6

B1, B2, D

If required

3

Solid Wall

65mm (2 9/16")

12.5mm (1/2") Max

Ø8mm (5/16")

Remove dust from hole

E_{x2}, F_{x2}

Lubricate screw thread with soap

4

Wood Stud

50mm (2")

12.5mm (1/2") Max

Ø3mm (1/8")

Ensure bracket is in the centre of the wood stud

iii

Lubricate screw thread with soap