

1

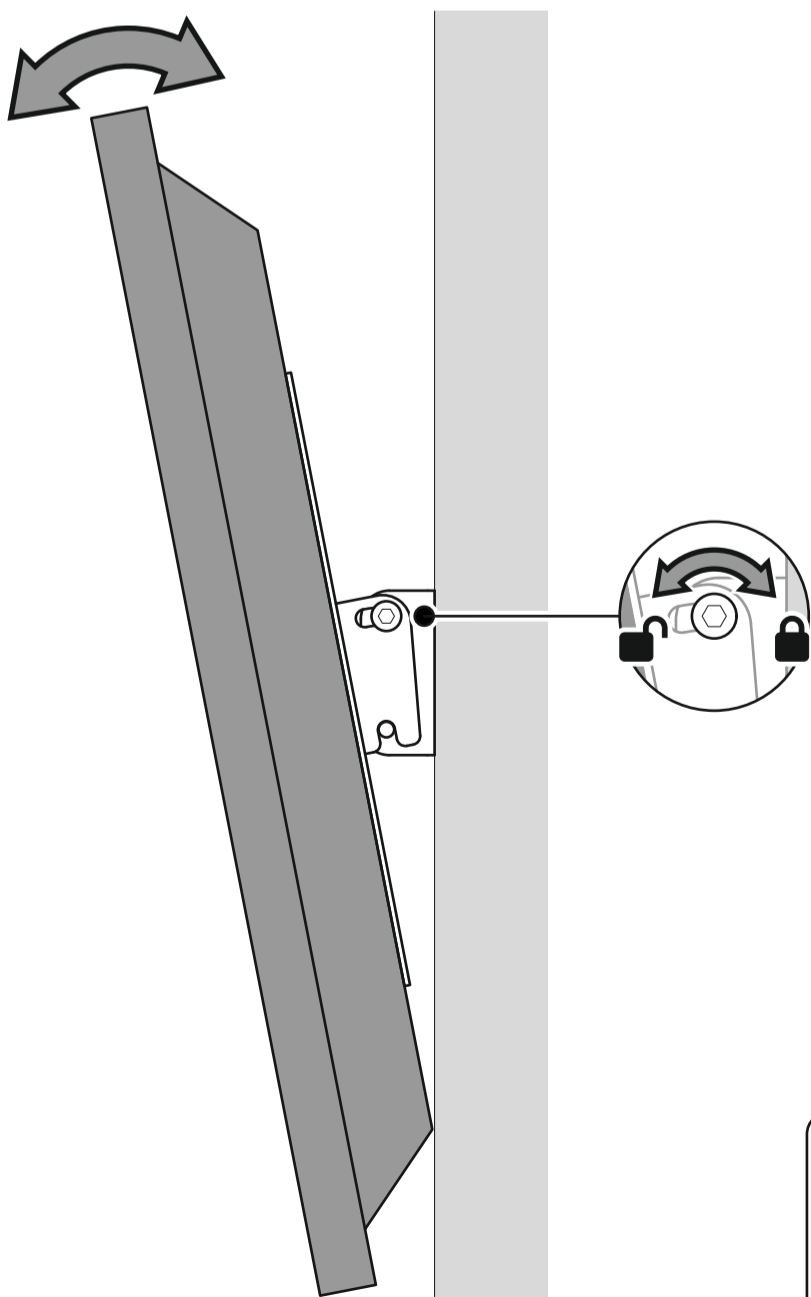
Boxed Parts

W3x2 M6	W2x2 M6	W1x2 M6	T12x8 M6	T11x4 M6	T10x4 M6	T9x4 M5
T8x4 M8 30mm	T7x4 M8 16mm	T6x4 M6 30mm	T5x4 M6 16mm	T4x4 M5 30mm	T3x4 M5 16mm	T2x4 M4 30mm
T1x4 M4 16mm	T1x4 M4 16mm	T1x4 M4 16mm	T1x4 M4 16mm	T1x4 M4 16mm	T1x4 M4 16mm	T1x4 M4 16mm

Ax1

Bx1

Set Tilt



Bx1

Periodically check all nuts and bolts are tight.
 standard wall.
 AVF accept no responsibility for any damage or loss caused by installing this product in a sub
 of any services (eg gas, electricity, water etc).
 It is the responsibility of the installer to ensure that the mounting wall is of a suitable standard and void
 personal injury.
 This product is intended for indoor use only. Use of this product outdoors could lead to failure and
 of your TV.
 You will not need all these parts, so expect there to be some left over depending upon the specification
 Contents may vary from photography/illustrations.
 Retain all packaging in case the mount needs to be returned.

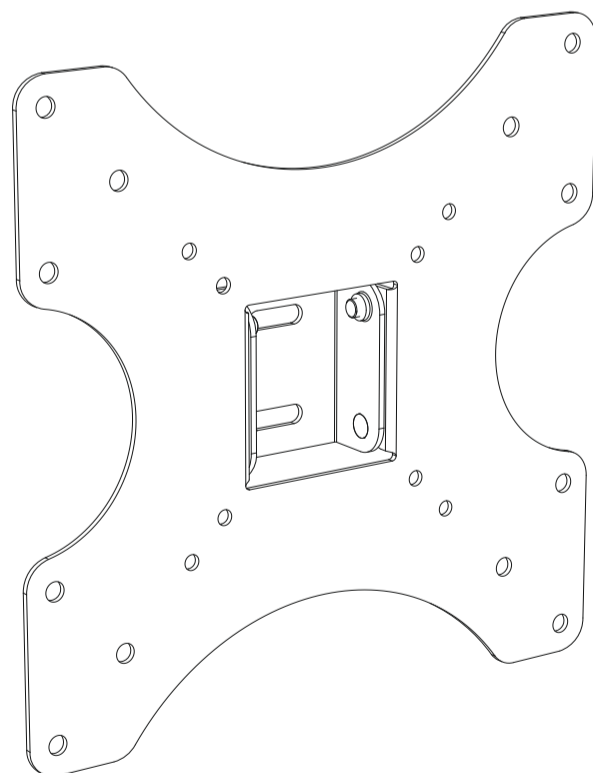
Tools Recommended

Bx1

ø3mm (1/8")
 ø8mm (5/16")

SAL21

Leaflet No. **466551** rev01



20kg



Read through **ALL** instructions before commencing installation.
 If you have any questions about this product or issues with installation contact
 the customer services help line before returning this product to the store.

This Product is designed to fit most TVs up to 40" weighing up to 20kg.

Compatibility is based on new and recent TV models, some older TVs from
 32" up may require a larger TV Mount. If you are unsure or need advice please
 call our **Consumer Helpline* on 0333 320 0463**

AVF Group Ltd. Hortonwood 30, Telford, Shropshire, TF1 7YE, England
 (*Consumer Helpline open Monday to Friday during AVF office hours)

2

Top

T12x8 **T11**x4

T1x4 **T2**x4 **T3**x4

M4 16mm M4 30mm M5 16mm

T4x4 **T5**x4 **T6**x4 **T7**x4 **T8**x4 **T9**x4 **T10**x4

M5 30mm M6 16mm M6 30mm M8 16mm M8 30mm M5 M6

TV

If required **T12** and / or **T11**

T1/T2 **T3/T4** **T5/T6** **T7/T8**

T9 **T9** **T10**

+

3

Solid Wall

Top

i

65mm (2 9/16")

12.5mm (1/2") Max

ii

Remove dust from hole

iii

Lubricate screw thread with soap

W1x2

W2x2

+

+

+

3

Wood Stud

12.5mm (1/2") Max

Top

i

50mm (2")

Ensure bracket is in the centre of the wood stud

ii

iii

Lubricate screw thread with soap

W1x2

+

+

4

Bx1

2 x Bolts from Step 1

+

+