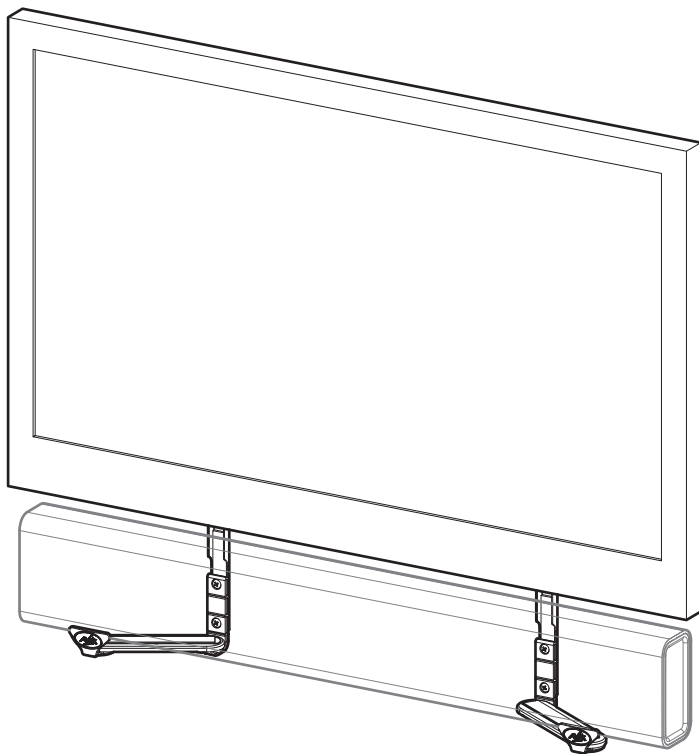


jl.avfgroup.com

466527 rev00 ###

JAK101



13.6kg
30lbs



Read through ALL instructions before commencing installation.

If you have any questions about this product or issues with installation, contact the customer services help line before returning this product to the store.

CUSTOMER SERVICES HELP LINE NUMBER: 0333 320 0463

AVF Group Ltd. Hortonwood 30, Telford, Shropshire, TF1 7YE, England

Retain all packaging in case the bracket needs to be returned.

Contents may vary from photography/ Illustrations.

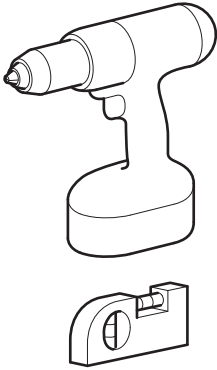
You will not need all these parts, so expect there to be some left over depending upon the specification of your TV.

This product is intended for indoor use only. Use of this product outdoors could lead to failure and personal injury.

It is the responsibility of the installer to ensure that the mounting wall is of a suitable standard and void of any services (eg gas, electricity, water etc).

AVF accept no responsibility for any damage or loss caused by installing this product in a sub standard wall.

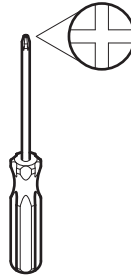
Tools Recommended



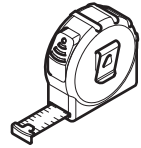
Ø8mm (5/16")
Masonry



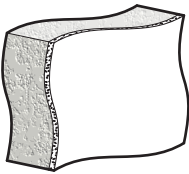
Ø3mm (1/8")
Wood



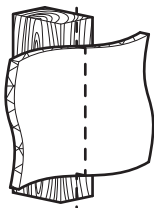
Stud Finder



Suitable Wall Types

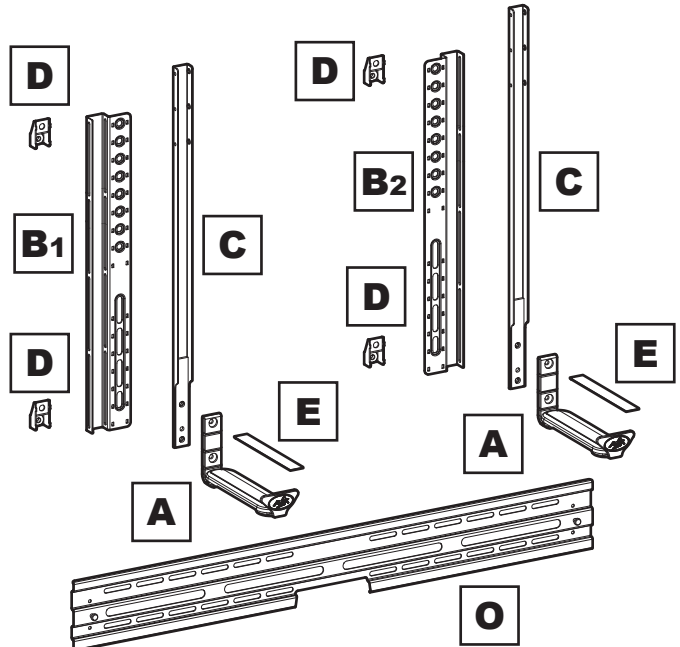


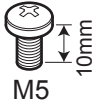
Solid Wall



Wood Stud

Boxed Parts



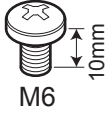


M5

10mm



M5

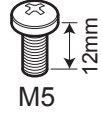
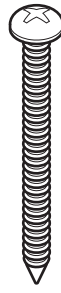


M6

10mm



M6



M5

12mm

F x8

G x8

H x4

I x4

M x4

N x4

P x2

TV Screws, Reducers and Spacers



J1 x4



J2 x4



K1 x4



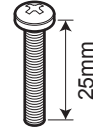
K2 x4



M4

16mm

L1 x4



M4

25mm

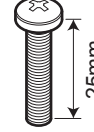
L2 x4



M5

16mm

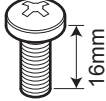
L3 x4



M5

25mm

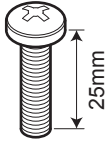
L4 x4



M6

16mm

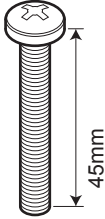
L5 x4



M6

25mm

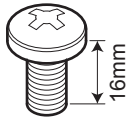
L6 x4



M6

45mm

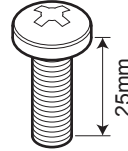
L7 x4



M8

16mm

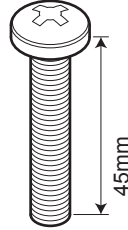
L8 x4



M8

25mm

L9 x4

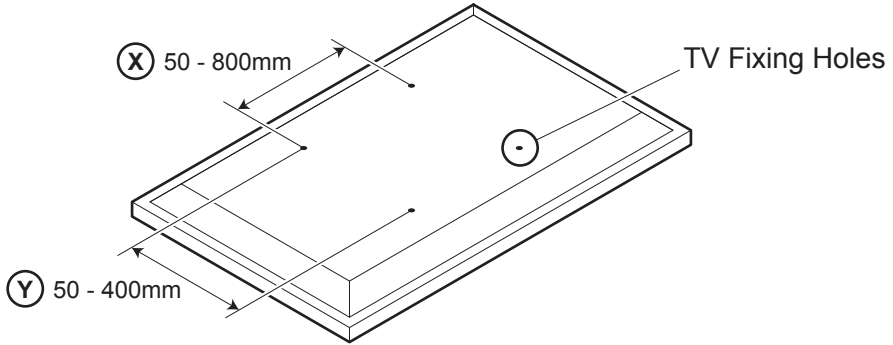


M8

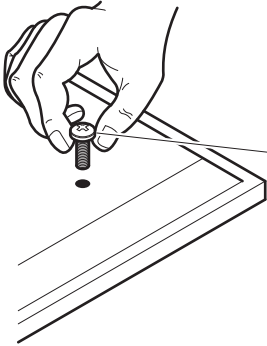
45mm

L10 x4

1 Measure the TV fixing holes Width and Height



If width ⓧ is greater than 800mm or height Ⓨ greater than 400mm
STOP installation now and contact the customer help line



M4 = L1/L2

M5 = L3/L4

M6 = L5/L6

M8 = L7/L8

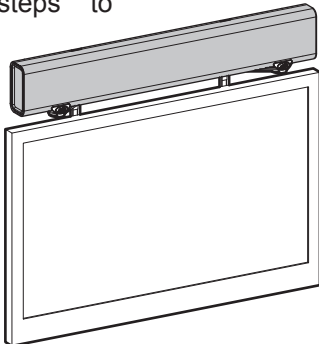
You are provided with 4 diameters of TV fixing screws, **M4**, **M5**, **M6** and **M8**. Determine the screw diameter that fits and remember for step 4.

Mounting Above or Below?

Before you start to mount your Soundbar to your TV you will need to decide if you are going to mount your Soundbar above your TV or below your TV

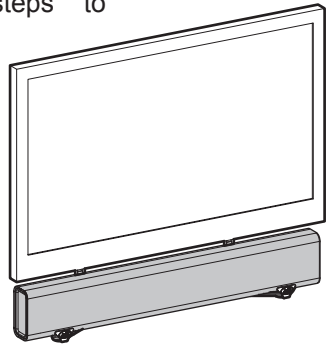
Mounting Above

Follow steps to



Mounting Below

Follow steps to



Mounting Above

Please select your method of attaching your Soundbar to your TV and follow the appropriate steps.

Free Standing TV - **Steps**

Free Standing TV with SONOS playbar adaptor - **Steps**

TV Bracket / TV Furniture - **Steps**

TV Bracket / TV Furniture with SONOS playbar adaptor - **Steps**

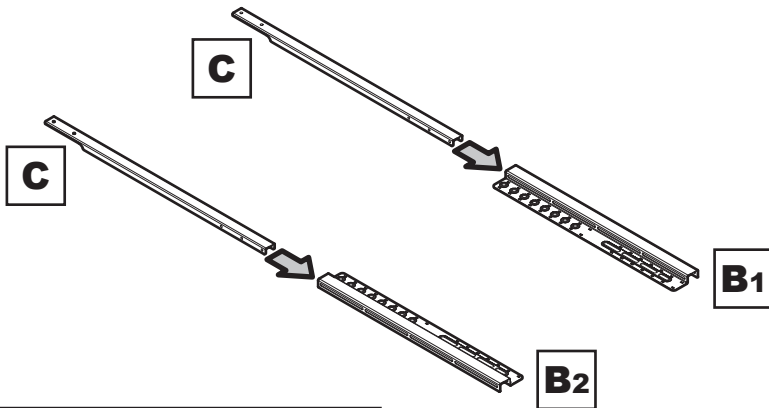
Wall mounted - **Steps**

Wall mounted with SONOS playbar adaptor - **Steps**

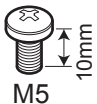
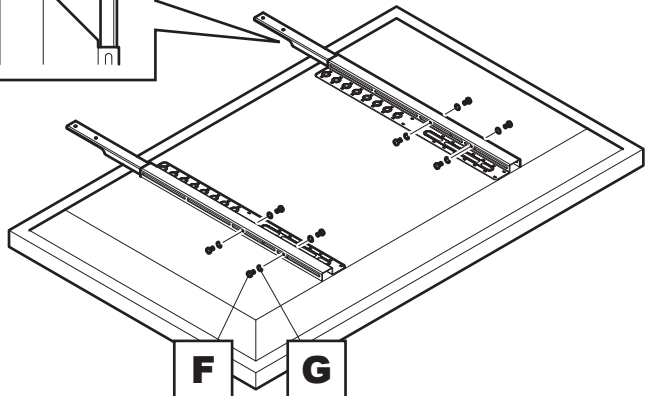
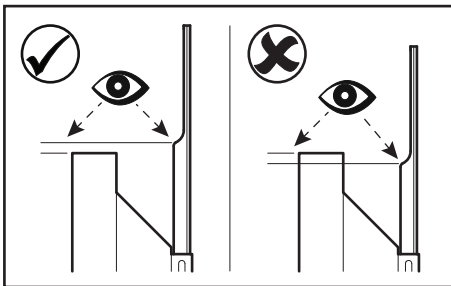
2 Preparing the TV Brackets

Mounting Above

i



ii



F x8

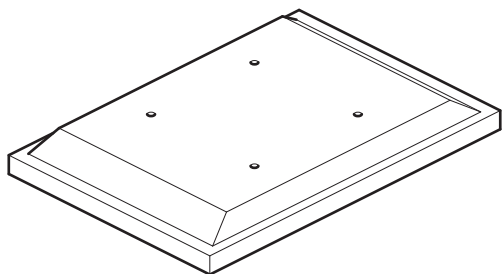
G x8

3 Fitting the TV Brackets

Mounting Above

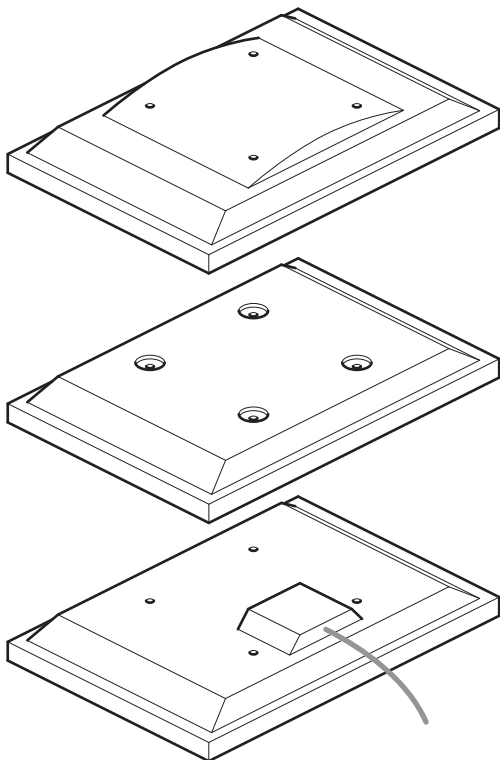
No Spacers

For TVs with flat / unobstructed back

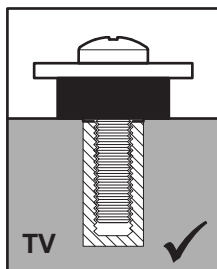
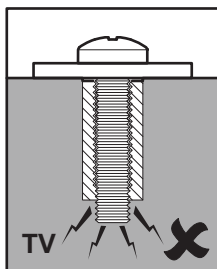
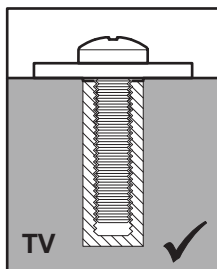
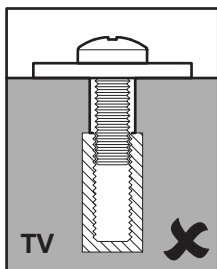


Spacers **K1/K2**

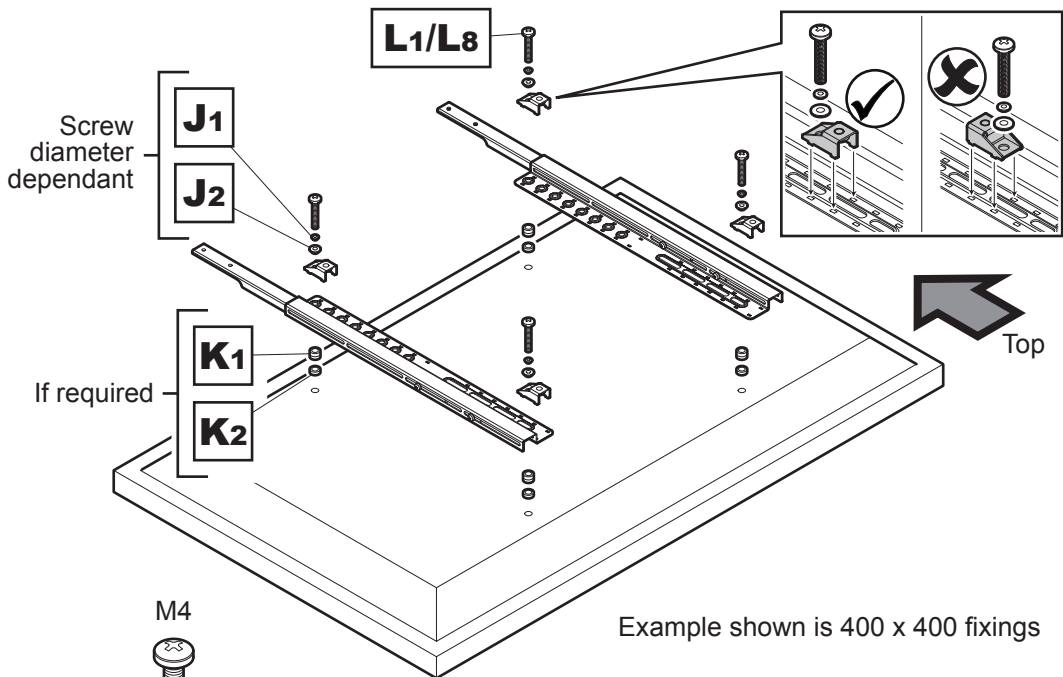
For TVs with irregular / obstructed back



WARNING



After completing step 3 you will have fittings left over, please keep for future reference



Example shown is 400 x 400 fixings

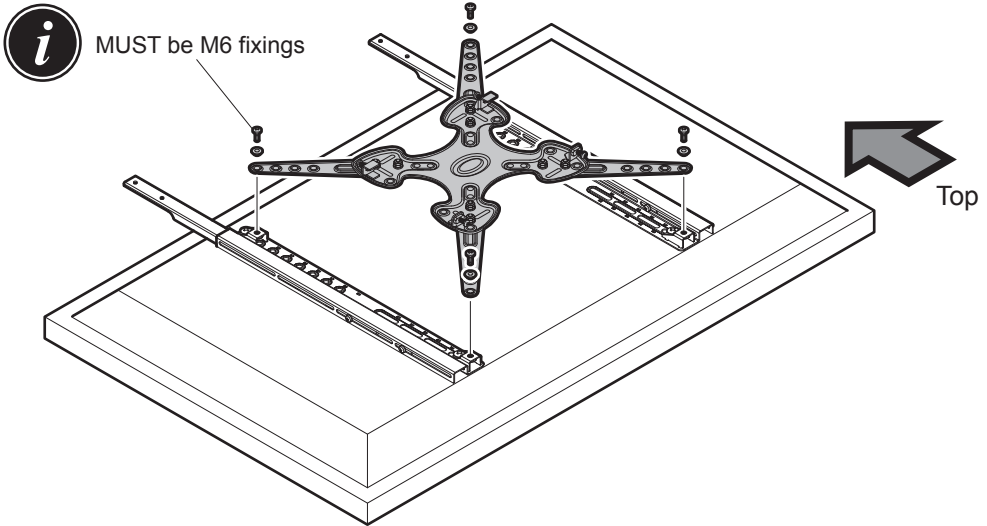
- | | | | | |
|----------|-----------------|----------|----------|----------|
| M4 | | M5 | M6 | M8 |
| | L1/L2 x4 | | | |
| + | | + | + | |
| | J1 x4 | | | |
| + | | + | + | |
| | J2 x4 | | | |
| | | | | |
| + | | + | + | + |
| | K1 x4 | | | |
| | | | | |
| and / or | | and / or | and / or | and / or |
| | K2 x4 | | | |
| | | | | |
| | | | | |

Attach the bracket to the back of your TV using suitable screw, reducer and spacer combinations

4 Attaching TV Mount

Mounting Above

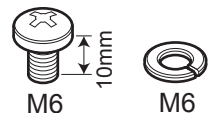
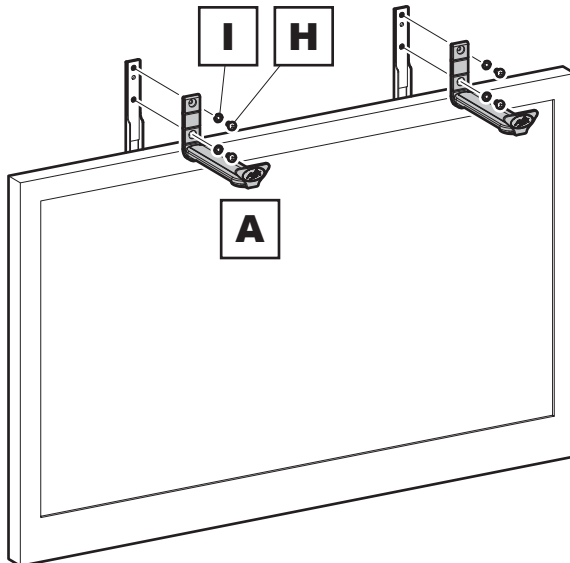
If you are attaching your Soundbar to a wall mounted TV please use this step in conjunction with the instructions provided with your TV wall mount.



The brackets and screws etc shown in grey are only an example. These are supplied by the TV wall mount manufacturer.

5 Attaching Shelf Brackets

Mounting Above

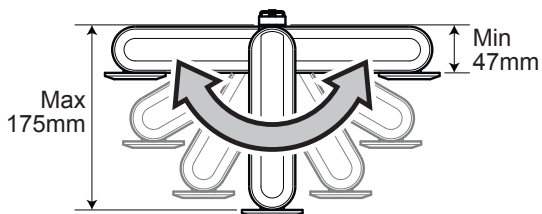
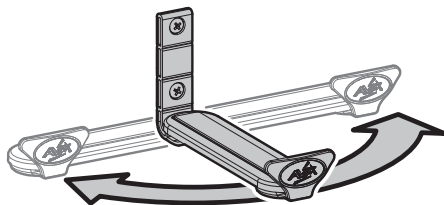
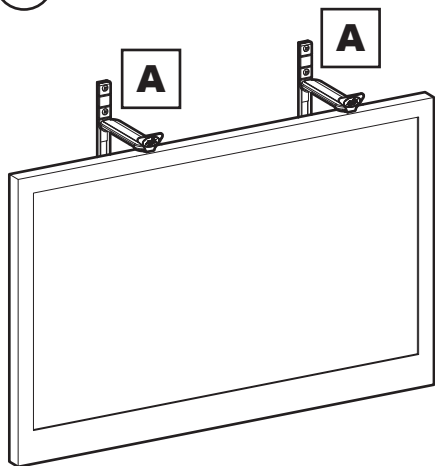


H x4 **I** x4

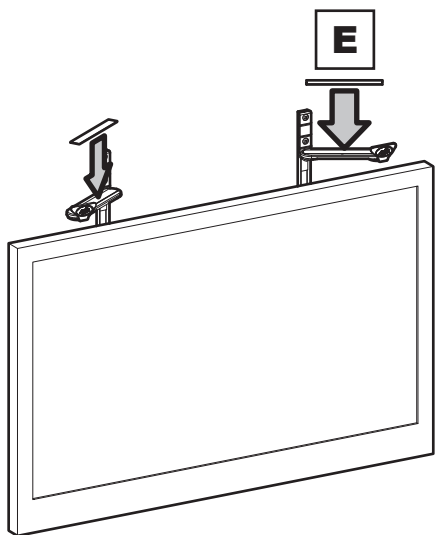
6 Attaching Soundbar

Mounting Above

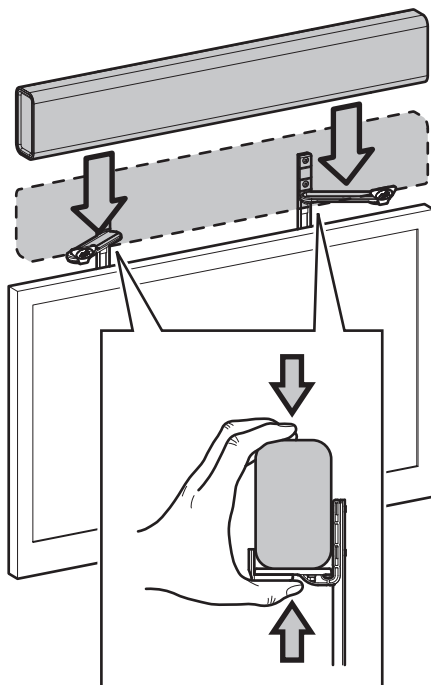
i Adjust part **A** to the depth of your Soundbar



ii Attach part **E** and then remove backing paper



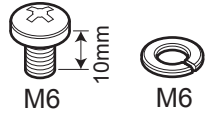
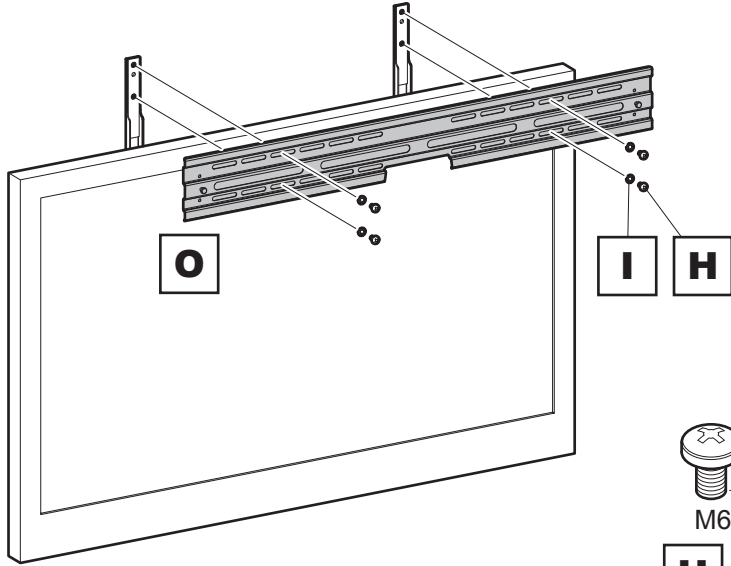
iii



7 Attaching SONOS playbar adaptor

Mounting Above

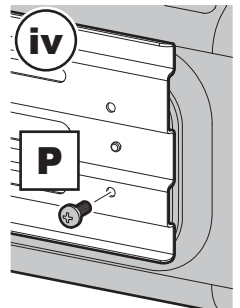
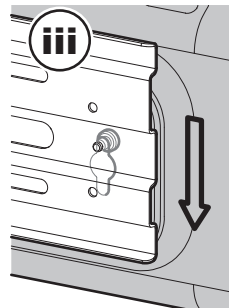
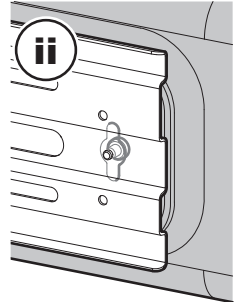
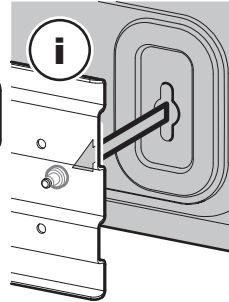
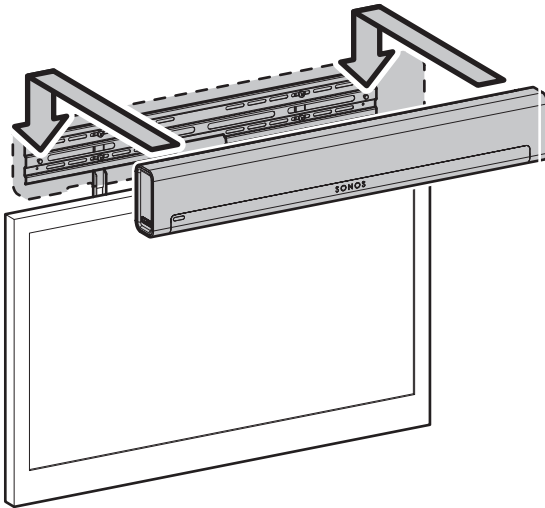
i



H x4 **I** x4

8 Attaching SONOS playbar

Mounting Above



Whenever possible always use locking screw **P**

Mounting Below

Please select your method of attaching your Soundbar to your TV and follow the appropriate steps.

Free Standing TV - **Steps**

Free Standing TV with SONOS playbar adaptor - **Steps**

TV Bracket / TV Furniture - **Steps**

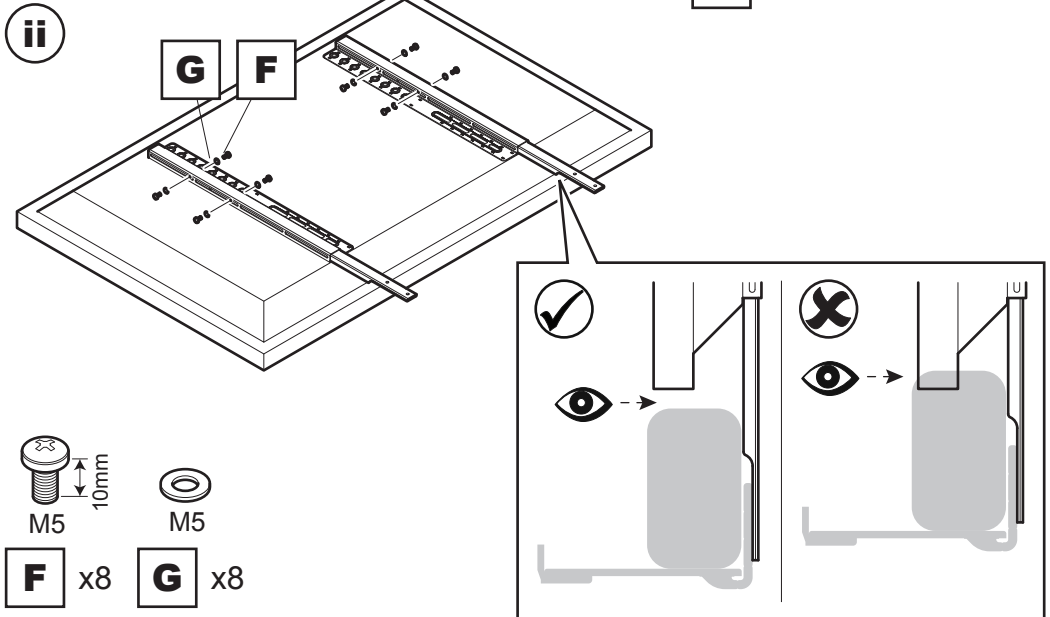
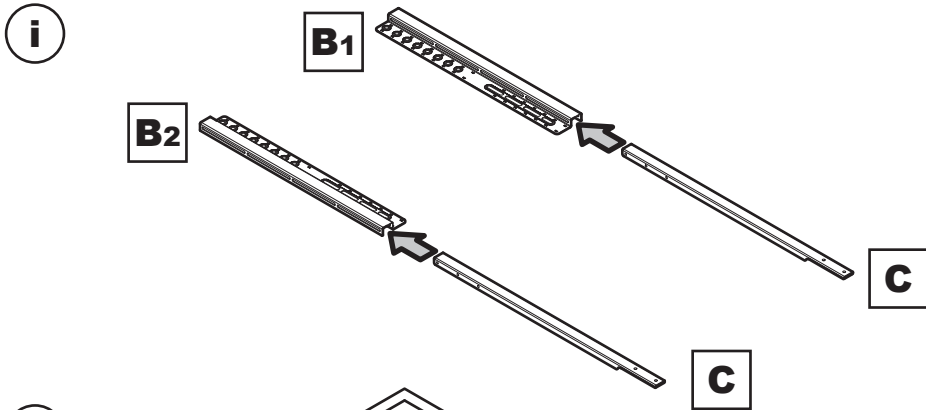
TV Bracket / TV Furniture with SONOS playbar adaptor - **Steps**

Wall mounted - **Steps**

Wall mounted with SONOS playbar adaptor - **Steps**

9 Preparing the TV Brackets

Mounting Below

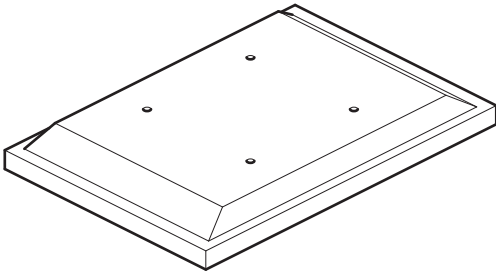


10 Fitting the TV Brackets

Mounting Below

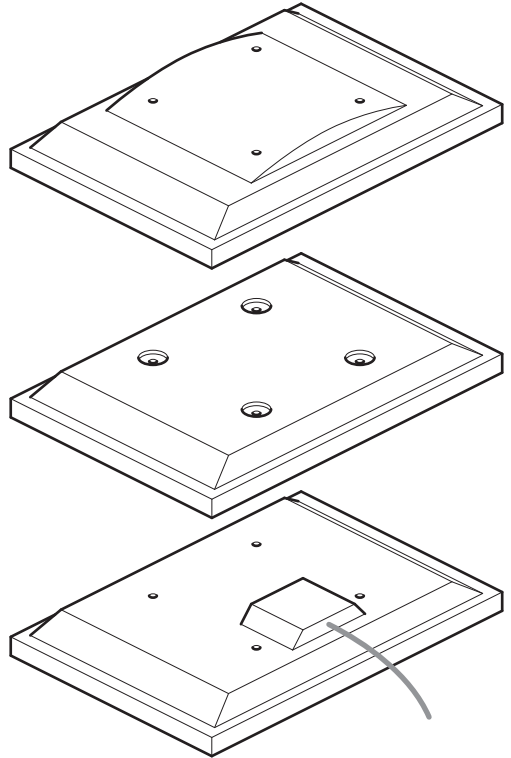
No Spacers

For TVs with flat / unobstructed back

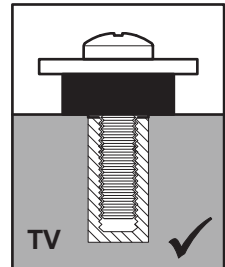
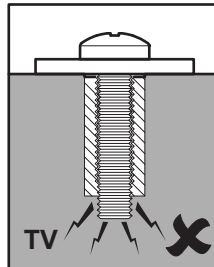
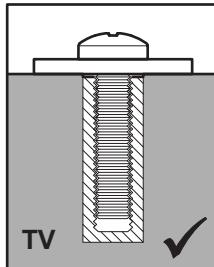
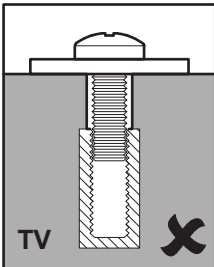


Spacers **K1/K2**

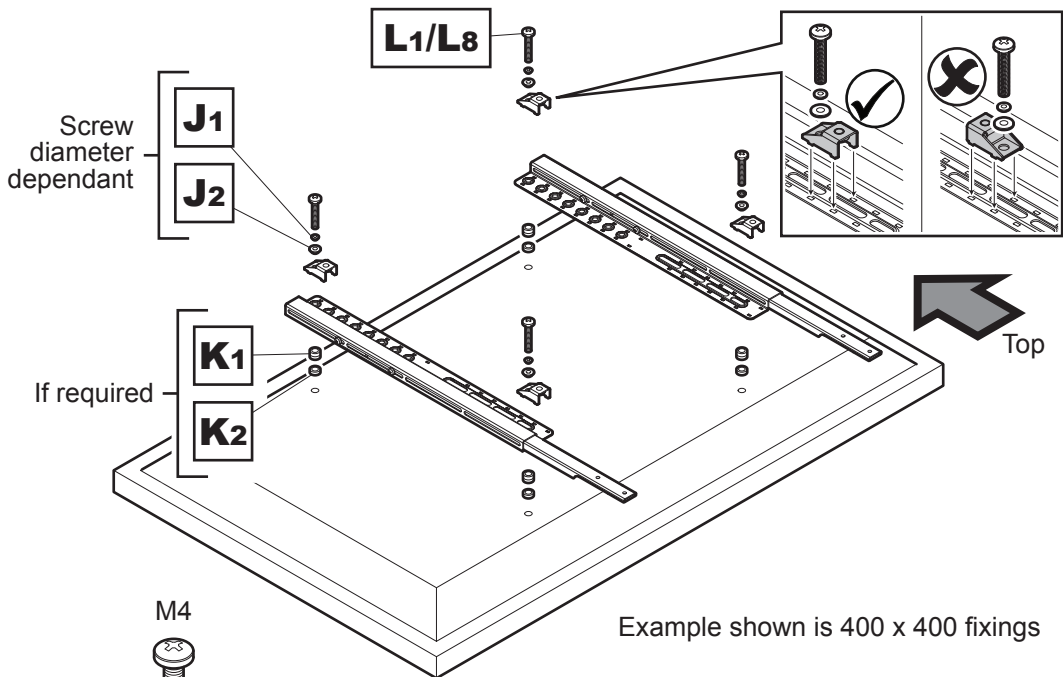
For TVs with irregular / obstructed back



























WARNING



After completing step 10 you will have fittings left over, please keep for future reference



Example shown is 400 x 400 fixings

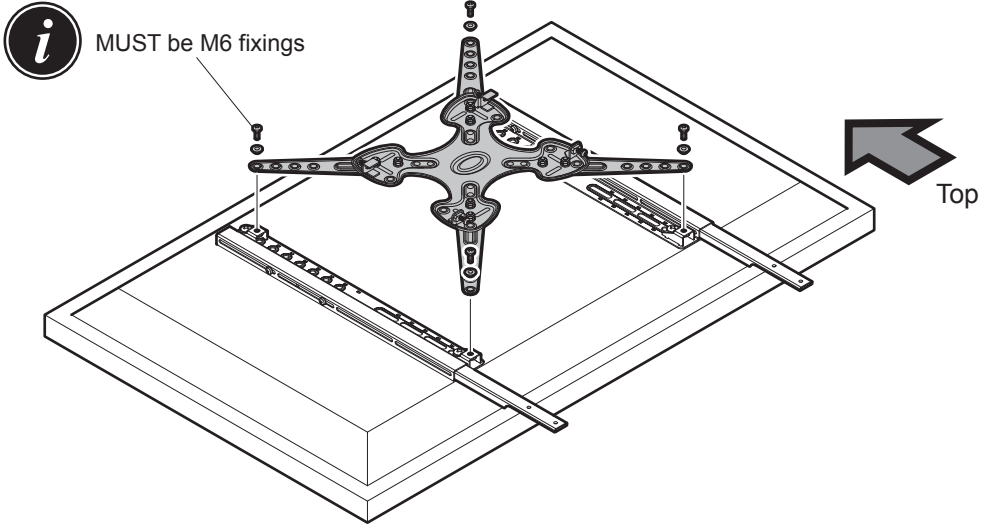
- | | | | | |
|---|-----------------|---|---|---|
| M4 | | M5 | M6 | M8 |
|  | L1/L2 x4 |  |  |  |
| + | | + | + | + |
|  | J1 x4 |  |  |  |
| + | | + | + | + |
|  | J2 x4 |  |  |  |
| | | | | |
|  | |  |  |  |
| + | | + | + | + |
|  | K1 x4 |  |  |  |
| | | | | |
| and / or | | and / or | and / or | and / or |
|  | K2 x4 |  |  |  |
| | | | | |
| | | | | |

Attach the bracket to the back of your TV using suitable screw, reducer and spacer combinations

11 Attaching TV Mount

Mounting Below

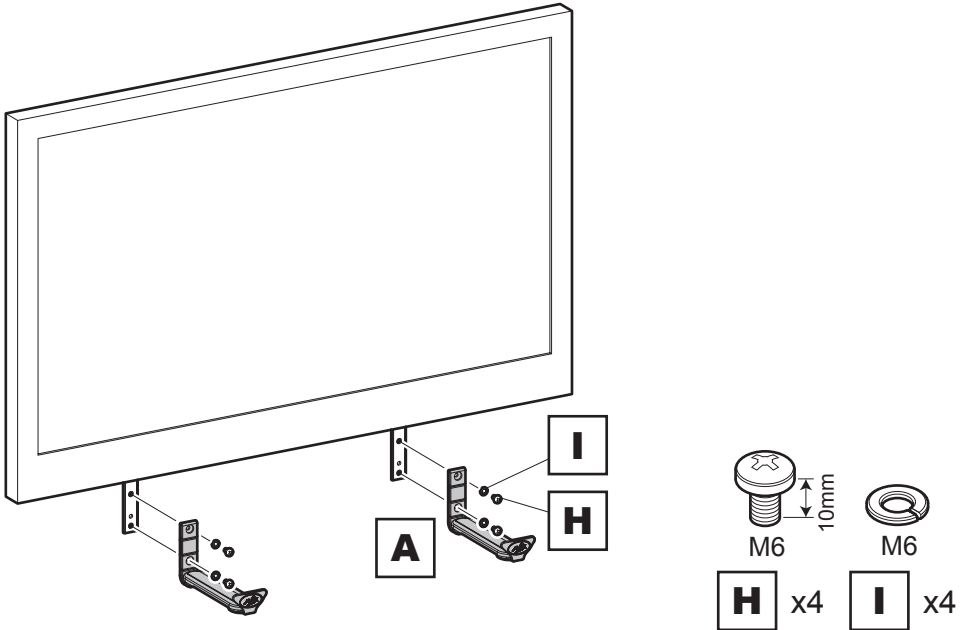
If you are attaching your Soundbar to a wall mounted TV please use this step in conjunction with the instructions provided with your TV wall mount.



The brackets and screws etc shown in grey are only an example. These are supplied by the TV wall mount manufacturer.

12 Attaching Shelf Brackets

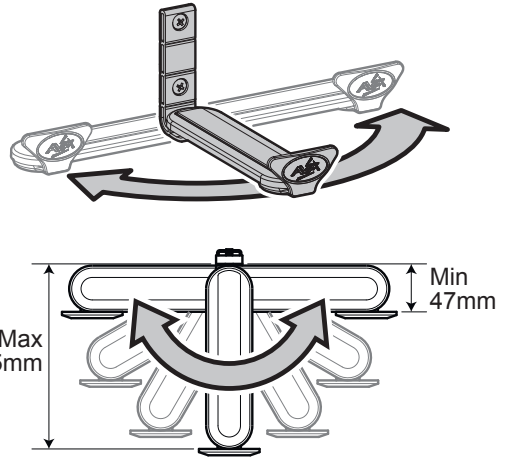
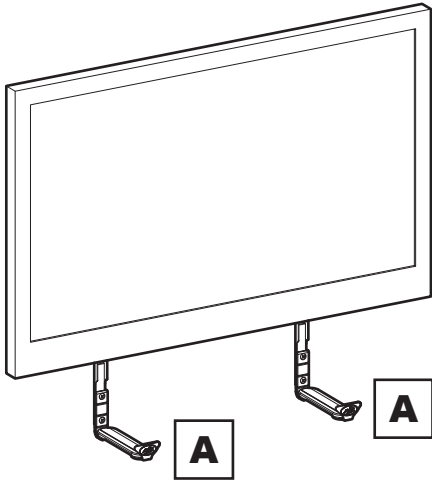
Mounting Below



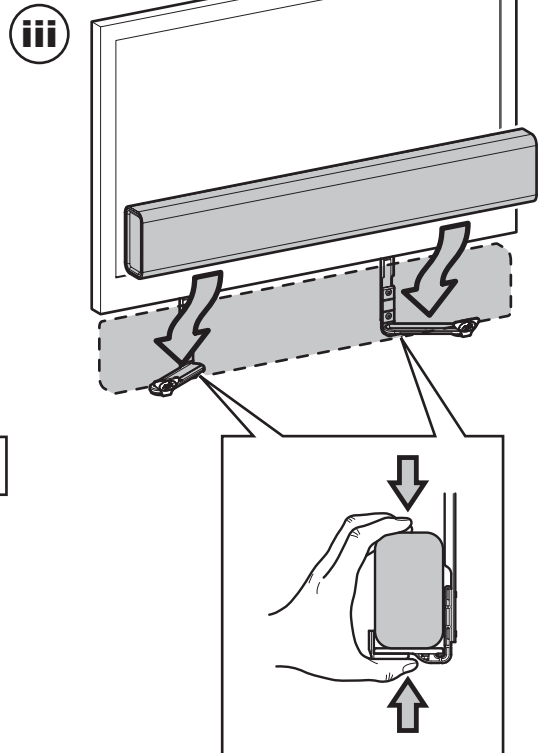
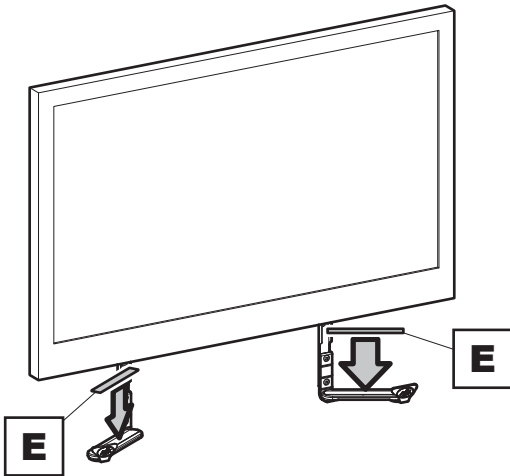
13 Attaching Soundbar

Mounting Below

i Adjust part **A** to the depth of your Soundbar



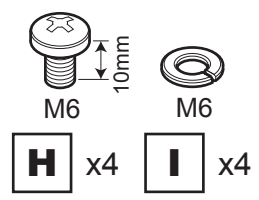
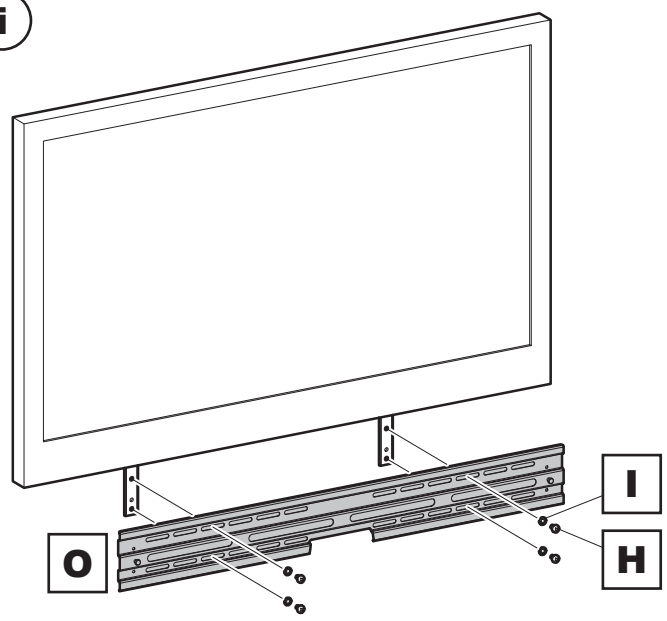
ii Attach part **E** and then remove backing paper



14 Attaching SONOS playbar adaptor

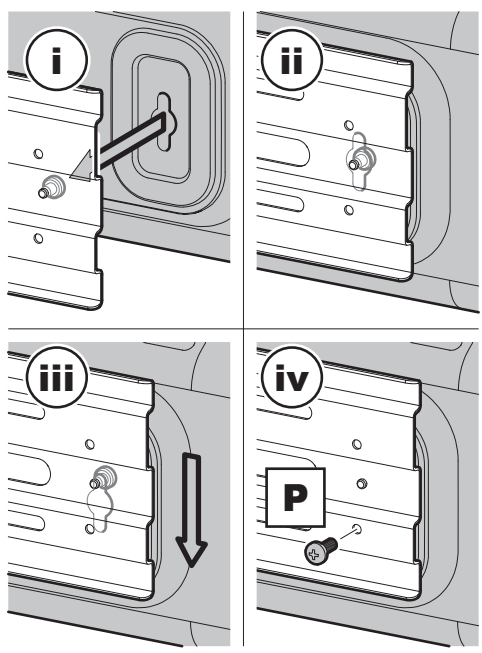
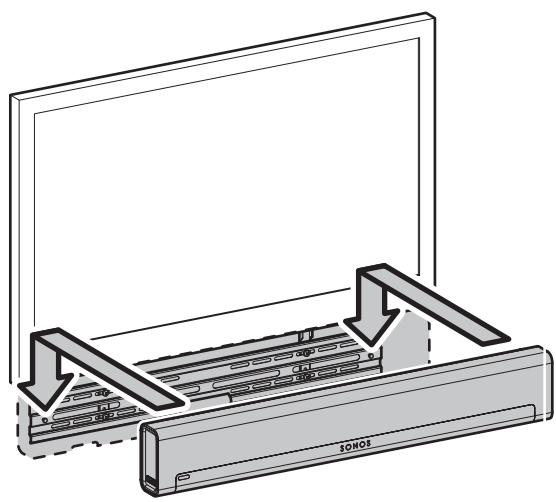
Mounting Below

i



15 Attaching SONOS playbar

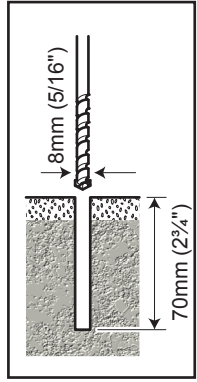
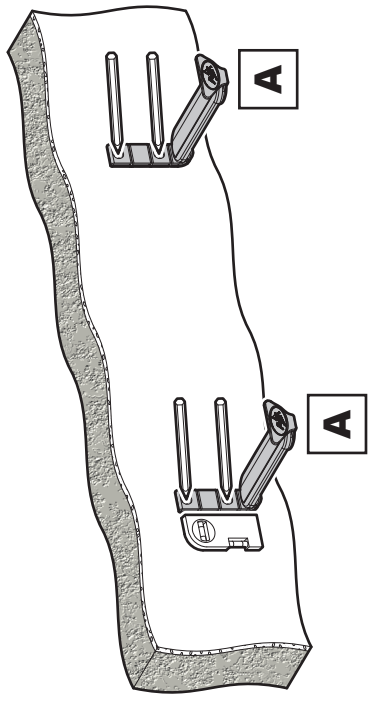
Mounting Below



Whenever possible always use locking screw P

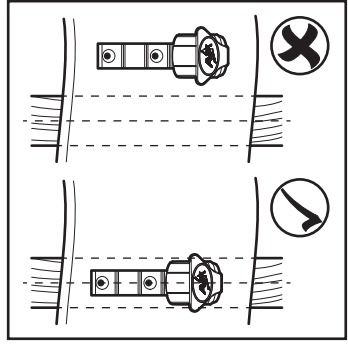
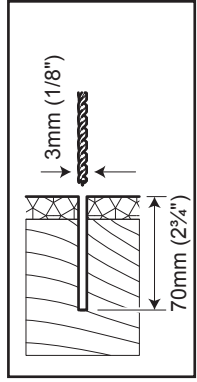
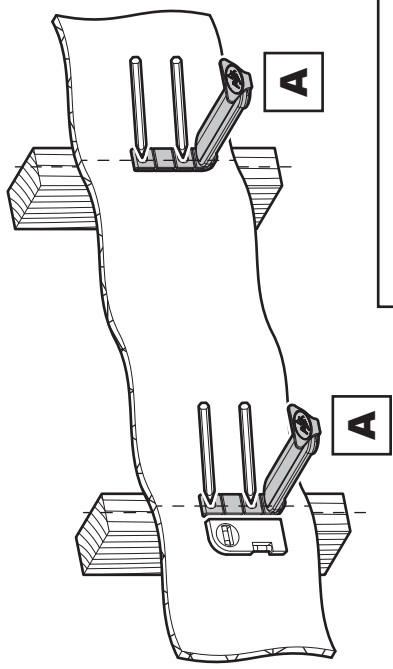
16 Attaching Shelf Brackets to Wall

Solid Wall

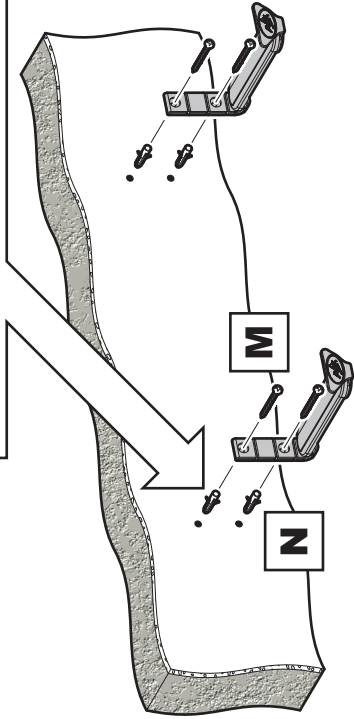
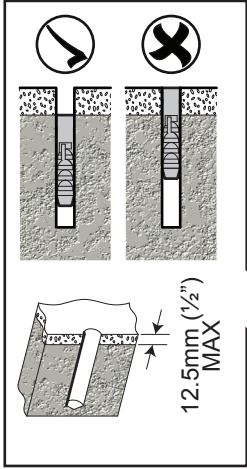


Remove Dust from Hole

Wood Stud



Ensure drill marks are in the centre of the wood stud



M x4



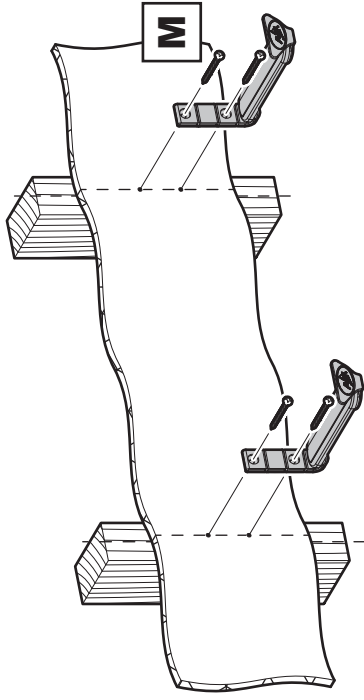
N x4



Lubricate screw thread with soap



DO NOT overtighten screws.
Tighten screws by hand only



M x4



Lubricate screw thread with soap

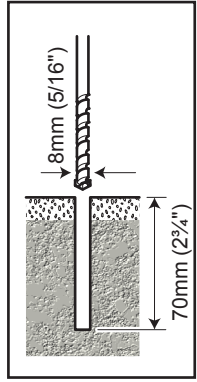
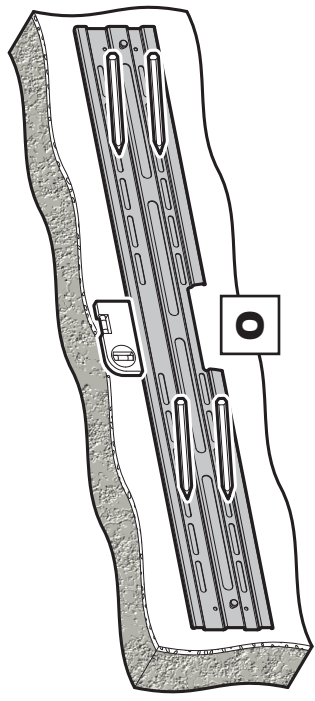


DO NOT overtighten screws.
Tighten screws by hand only

17

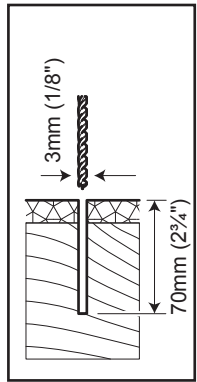
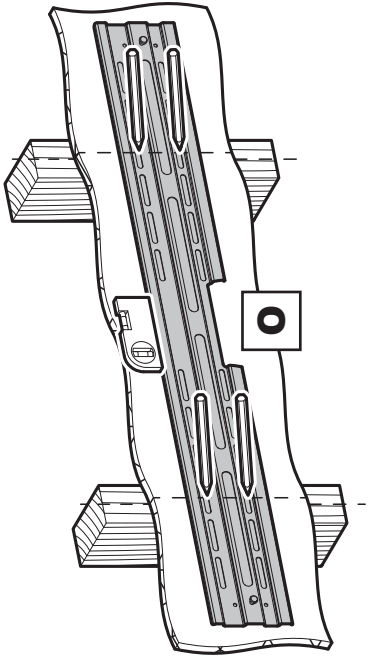
Attaching SONOS playbar to Wall

Solid Wall

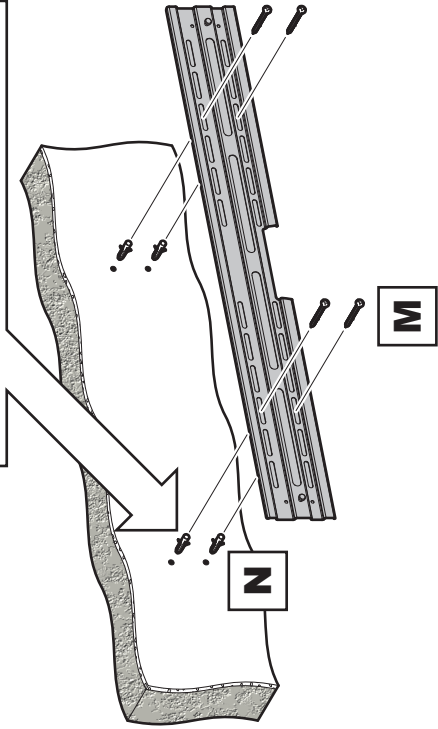
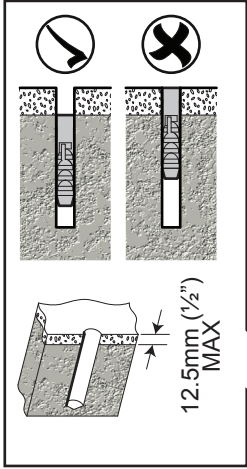


Remove Dust from Hole

Wood Stud



Ensure bracket is in the centre of the wood stud



M x4



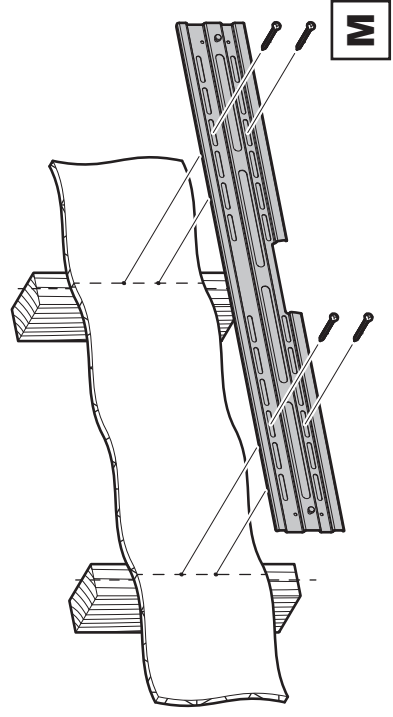
N x4



Lubricate screw thread with soap



DO NOT overtighten screws.
Tighten screws by hand only



M x4



Lubricate screw thread with soap

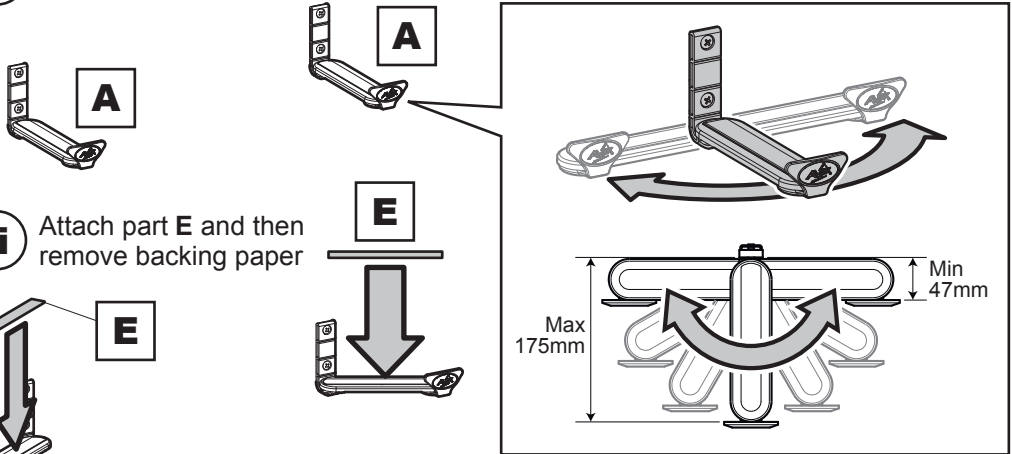


DO NOT overtighten screws.
Tighten screws by hand only

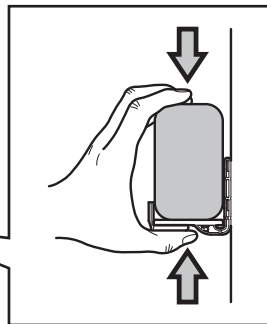
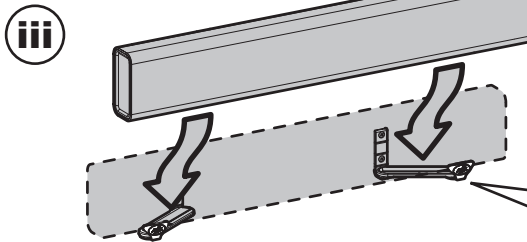
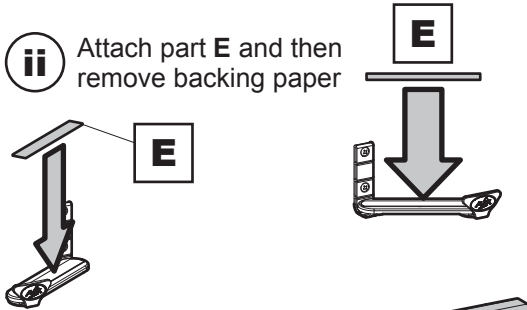
18 Attaching Soundbar

Mounting Above or Below

i Adjust part A to the depth of your Soundbar



ii Attach part E and then remove backing paper



19 Attaching SONOS playbar

Mounting Above or Below

