

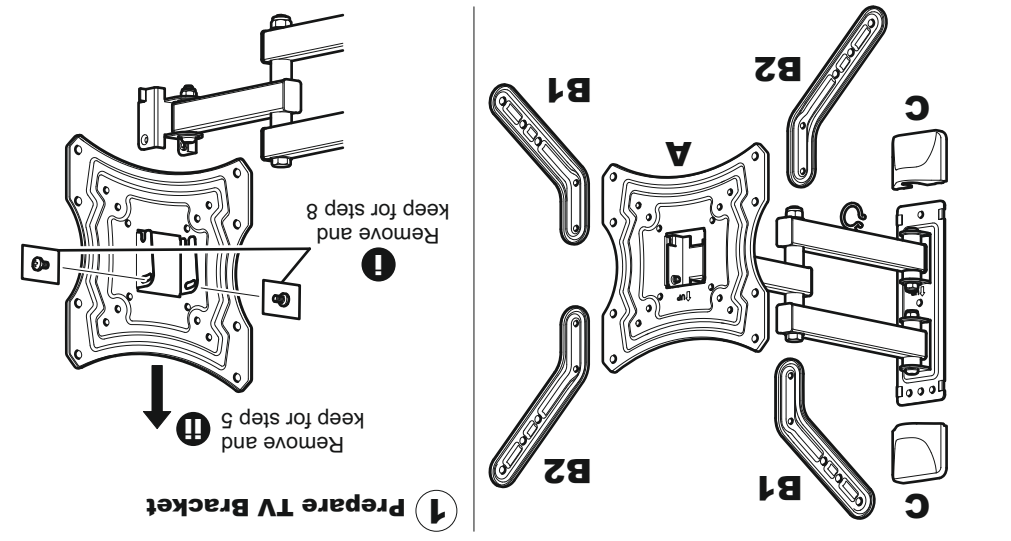
**2 Measure the TV fixing holes**  
Your TV mount fits the following TV fixing sizes

**OPTION 1**  
75 x 75mm, 100 x 100mm, 200 x 200mm

**OPTION 2**  
400 x 200mm

**OPTION 3**  
300 x 300mm, 400 x 400mm

**3 Prepare the TV mounting plate**  
Use the option that fits your TV fixing sizes



**Box Contents**

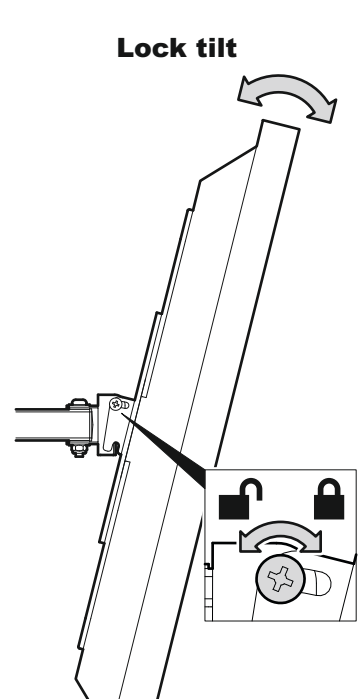
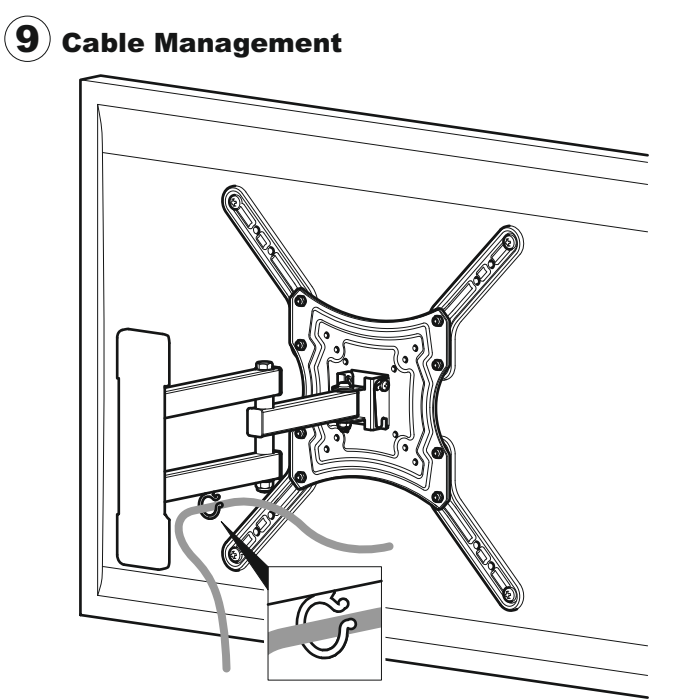
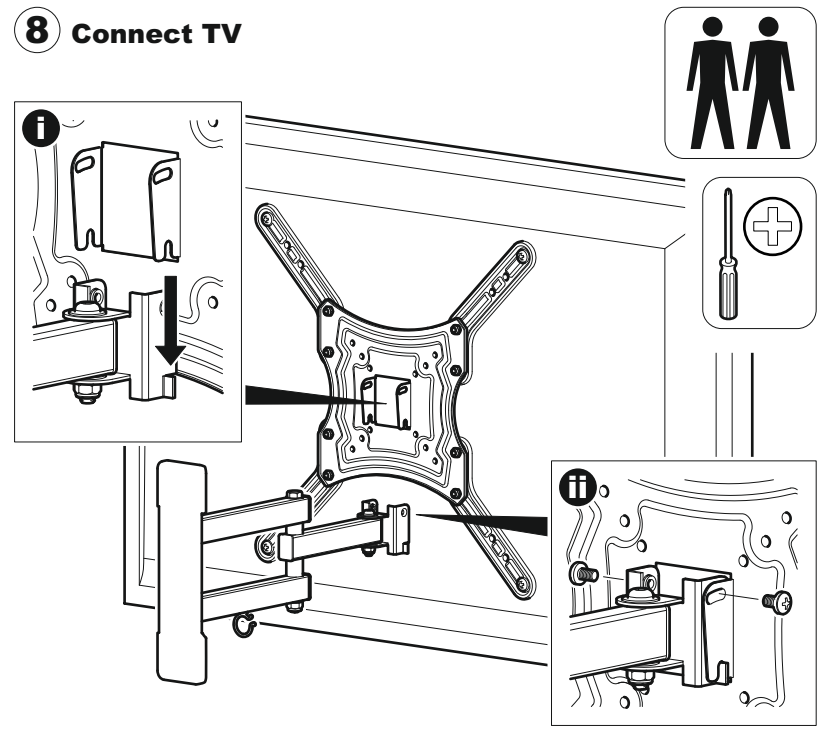
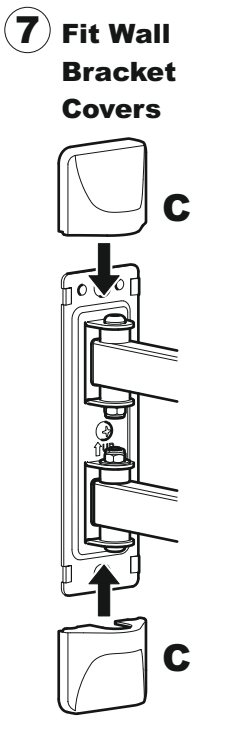
T1 x4	T2 x4	T3 x4	T4 x4	T5 x4	T6 x4	T7 x4	T8 x4	T9 x4	T10 x4	T11 x4	T12 x8	W1 x3	W2 x3	U1 x8	U2 x8	M6
M4 16mm	M4 30mm	M5 16mm	M5 30mm	M6 16mm	M6 30mm	M8 16mm	M8 30mm	M5	M6	M6	M6					



**Tools Recommended**

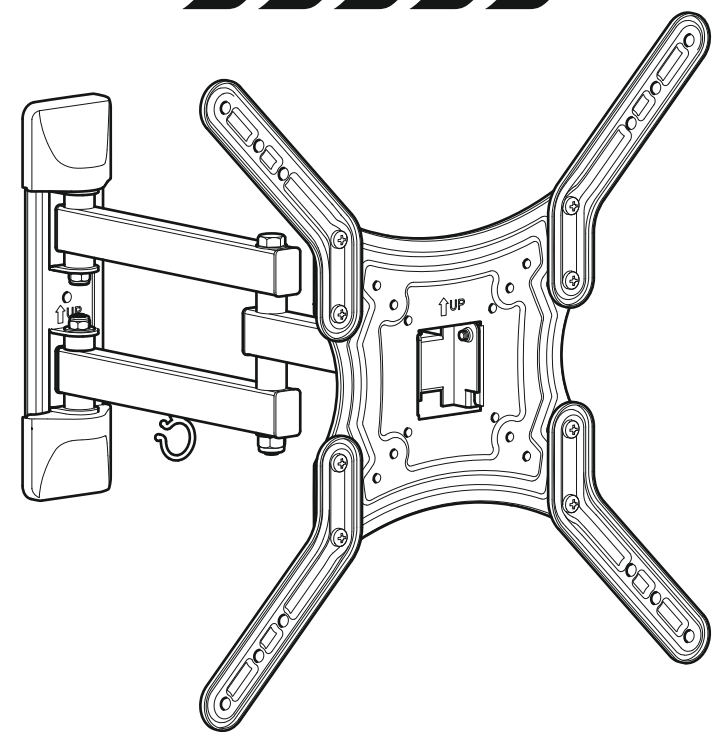
**IF YOU ARE IN ANY DOUBT, CONSULT A QUALIFIED CONTRACTOR**

Periodically check all nuts and bolts are tight.  
standard wall.  
TESCO accept no responsibility for any damage or loss caused by installing this product in a sub-void of any services (eg gas, electricity, water etc).  
It is the responsibility of the installer to ensure that the mounting wall is of a suitable standard and ensure the product is correctly installed.  
This product is sold as a home DIY product and as such, it is the responsibility of the installer to personal injury.  
This product is intended for indoor use only. Use of this product outdoors could lead to failure and specification of your TV.  
You will not need all these parts, so expect there to be some left over depending upon the Contents may vary from photography/illustrations.  
Retain all packaging in case the bracket needs to be returned.



Ensure cables don't restrict arm movement  
Check all fittings are tight

TC6 466324 rev05



Read the operating instructions and keep them in a safe place.  
If you have any questions about this product or issues with installation contact the help line before returning this product to the store.

Installation video guide and TV Height Calculator tool at [myTVMount.com](http://myTVMount.com)

Help Line: **0333 320 8027**

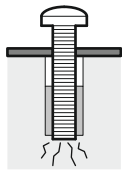
Monday - Thursday 08:30 - 17:00 Friday 08:30 - 16:00  
Calls charged at local rate



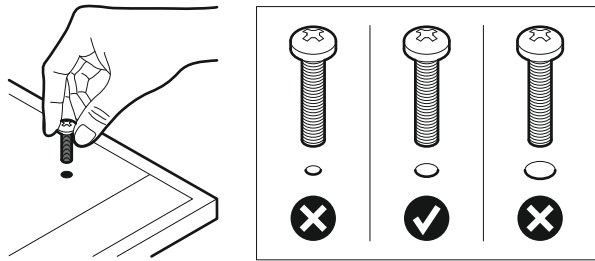
75 x 75mm  
100 x 100mm, 200 x 100mm  
200 x 200mm, 300 x 300mm  
400 x 200mm, 400 x 400mm

#### 4 Deciding the correct screw and spacer combination

**!** When deciding which screw diameter and length is suitable for your TV it is important to **STOP** immediately as soon as you feel any resistance to prevent damage to your TV

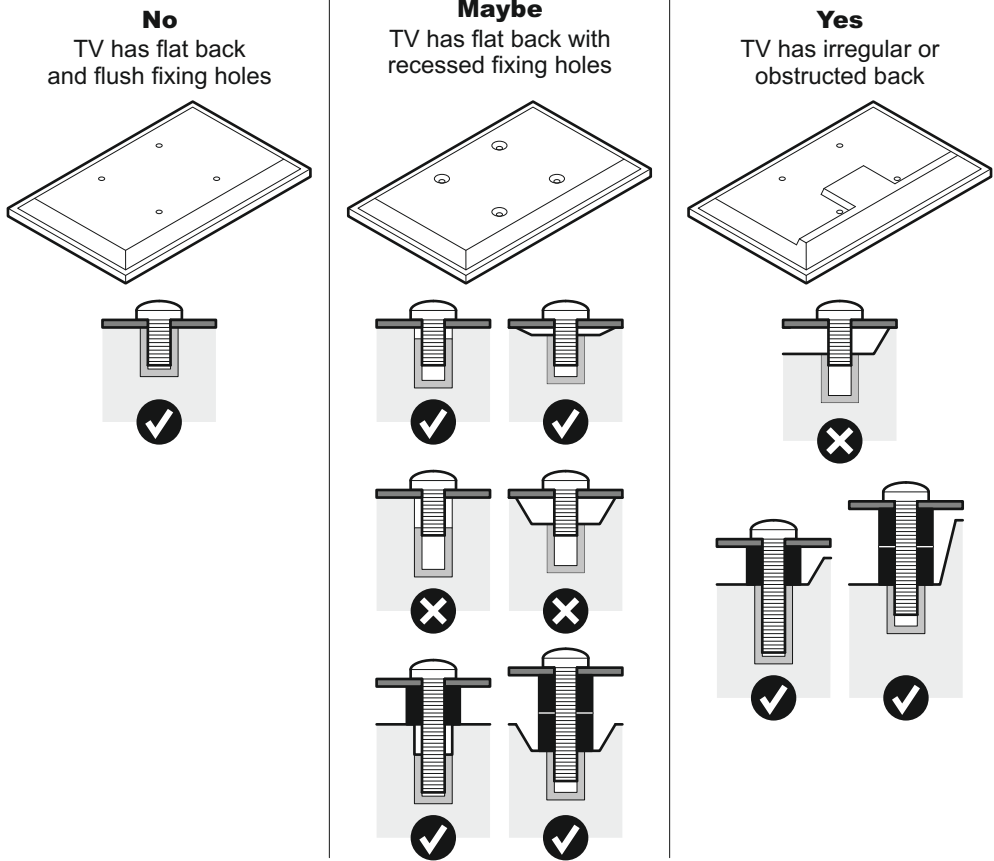


You are provided with 4 diameters of TV fixing screws, **M4, M5, M6** and **M8**. Determine the screw diameter that fits and remember for the next step

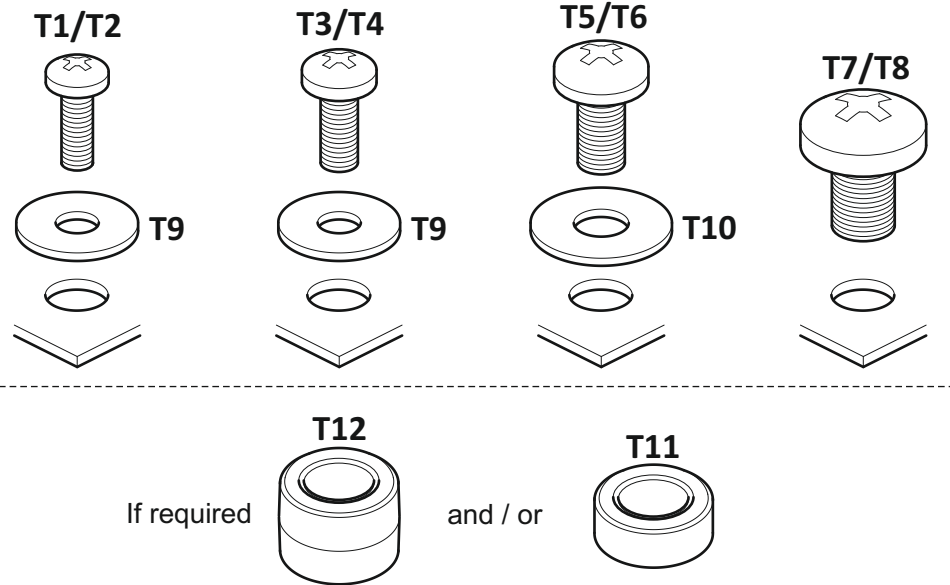
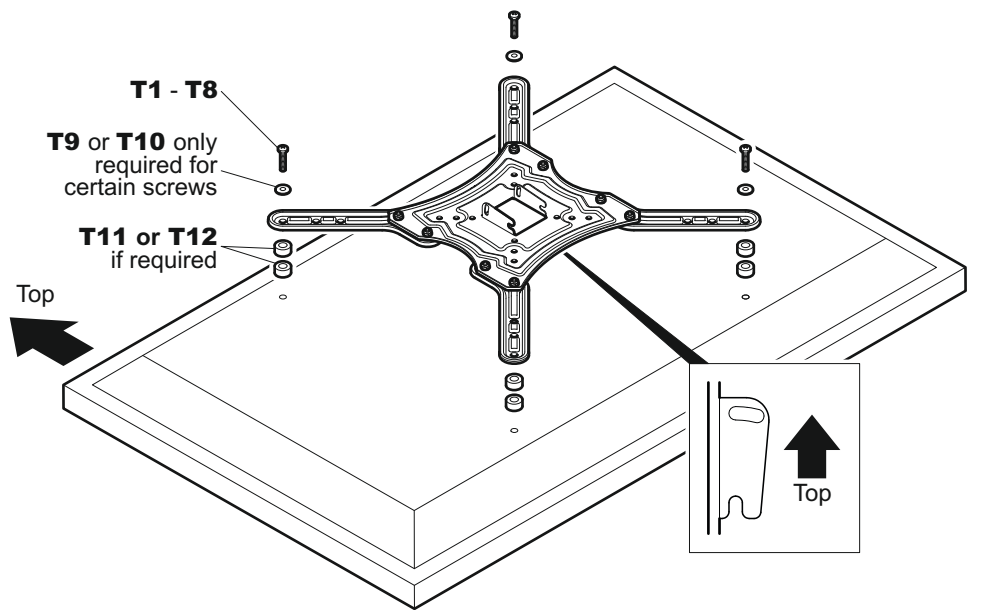


#### Do I need to use spacers T11 or T12?

Spacers are provided so that you can achieve the correct fit between the back of your TV and Mounting Plate, please see below for examples of when spacers are required



#### 5 Fitting the TV Mounting Plate

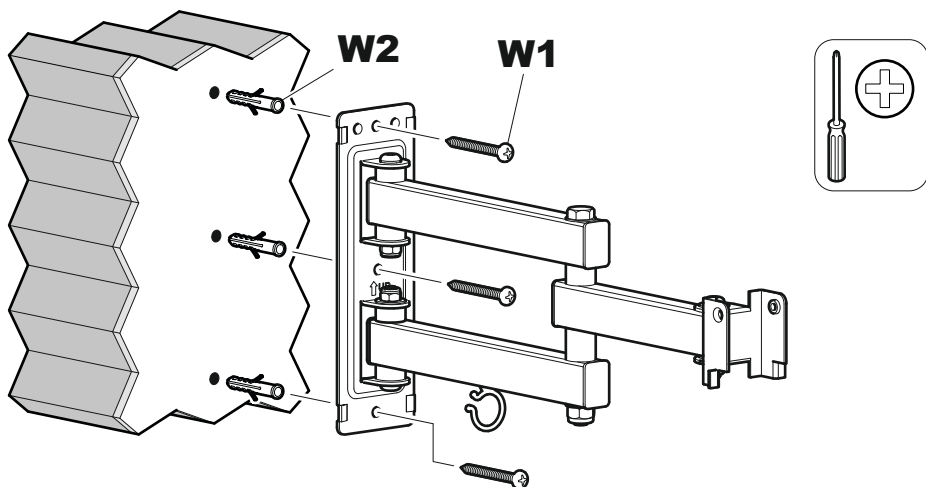
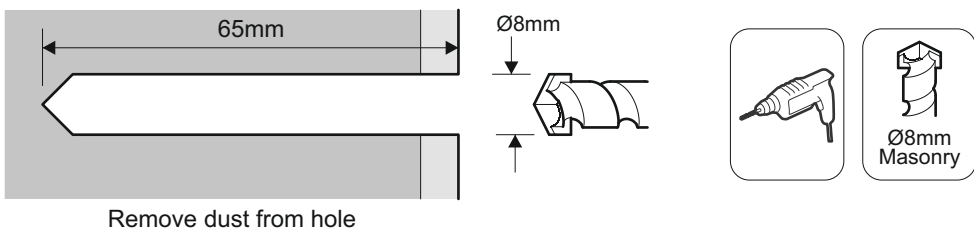
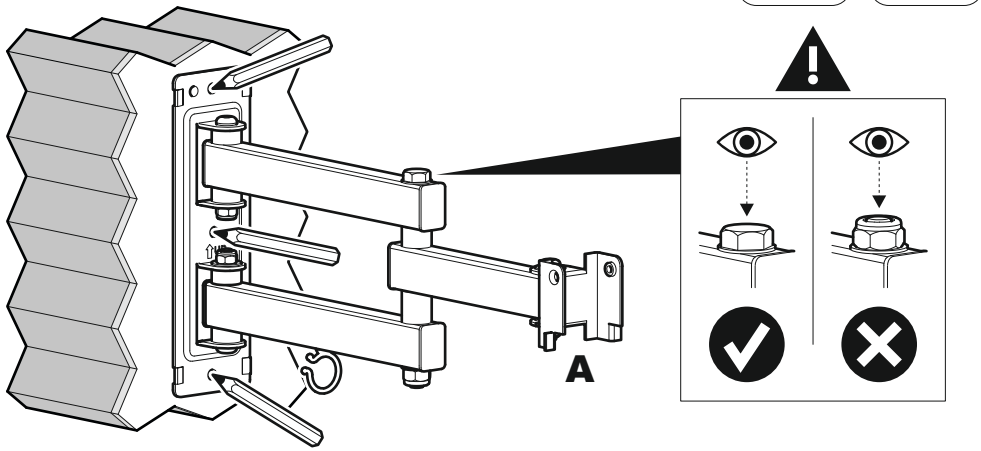


**!** Attach the bracket to the back of your TV using a suitable combination of screw, washer and spacer combinations. **DO NOT OVERTIGHTEN!**

**💡** After completing step 5 you will have fittings left over, please keep in a safe place for future reference

#### 6 Solid Wall

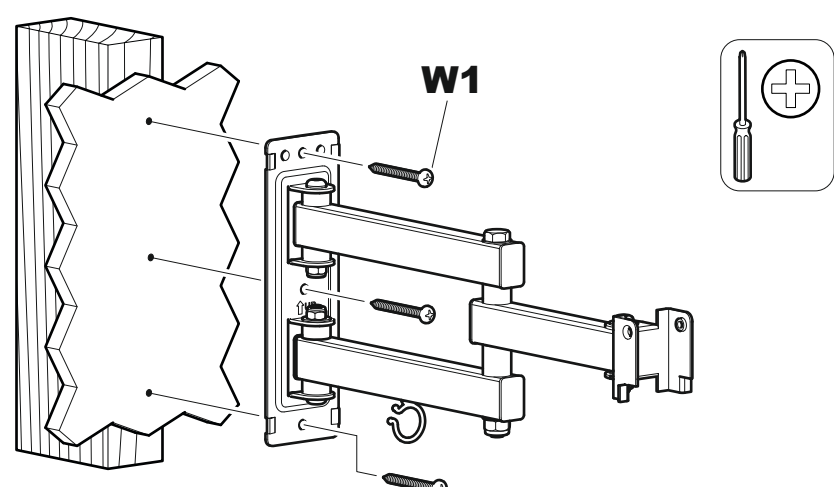
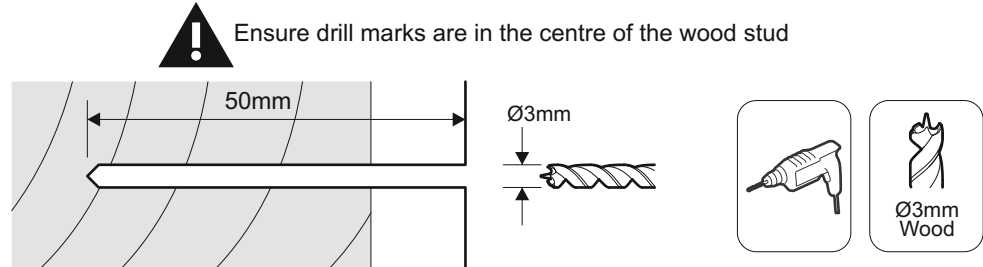
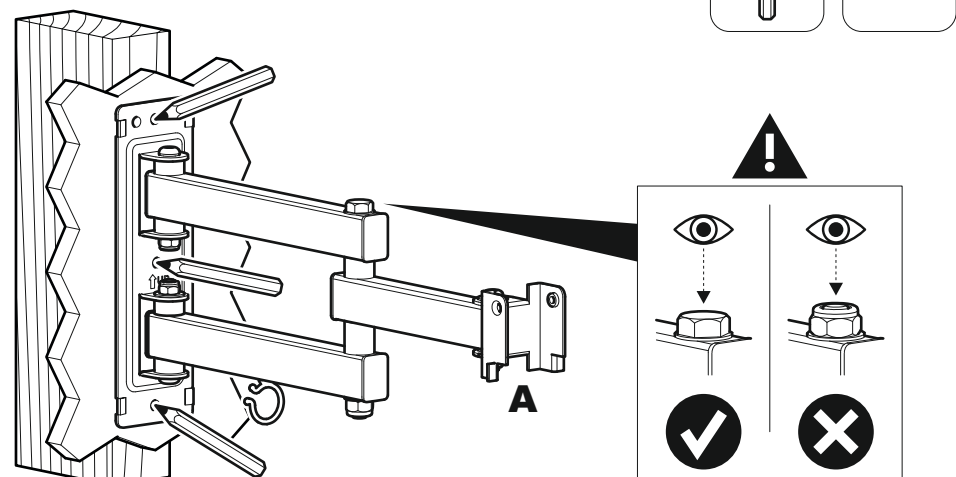
**!** Get it right with our easy to use online TV Height Calculator at [myTVMount.com](http://myTVMount.com)



**!** Tighten with hand tools only **💡** Lubricate screw thread with soap

#### 6 Wood Stud

**!** Get it right with our easy to use online TV Height Calculator at [myTVMount.com](http://myTVMount.com)



**!** Do not use **W2** wall plugs in wood stud **!** Tighten with hand tools only **💡** Lubricate screw thread with soap