

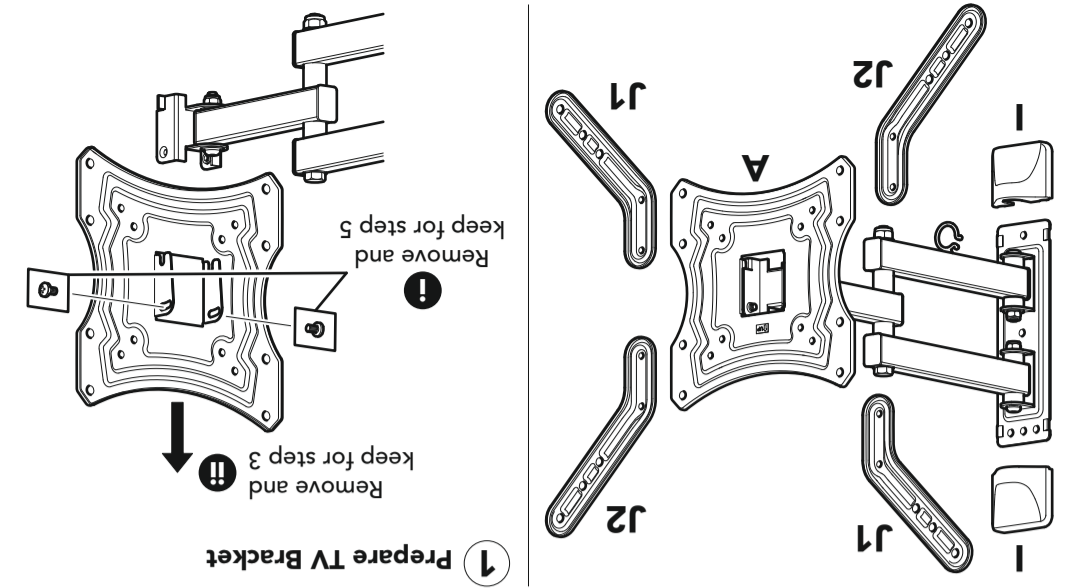
2 Measure the TV fixing holes
Your TV mount fits the following TV fixing sizes

OPTION 1 100 x 100mm, 200 x 100mm, 200 x 200mm

OPTION 2 400 x 200mm

OPTION 3 300 x 300mm, 400 x 400mm

3 Prepare the TV mounting plate
Use the option that fits your TV fixing sizes



- 1 Prepare TV Bracket**
- Box Contents**
- B1 x4, B2 x4, C1 x4, C2 x4, C3 x4, C4 x4, C5 x4, C6 x4, D x8, E x3, F x3, G x8, H x8, M5, M6, M4 12mm, M4 30mm, M6 12mm, M6 30mm, M8 12mm, M8 30mm, M6 10mm (for solid wall only)
- Tools Recommended**
- 10mm Hex Key
 - 10mm Allen Key
 - 10mm Drill Bit
 - 10mm Drill
 - 10mm Screwdriver
 - 10mm Pencil
 - 10mm Spirit Level
 - 10mm Square
 - 10mm Hammer
 - 10mm Wood
 - 10mm Masonry

IF YOU ARE IN ANY DOUBT, CONSULT A QUALIFIED CONTRACTOR

Periodically check all nuts and bolts are tight.

TESCO accept no responsibility for any damage or loss caused by installing this product in a sub standard wall.

void of any services (eg gas, electricity, water etc).

It is the responsibility of the installer to ensure that the mounting wall is of a suitable standard and ensure the product is correctly installed.

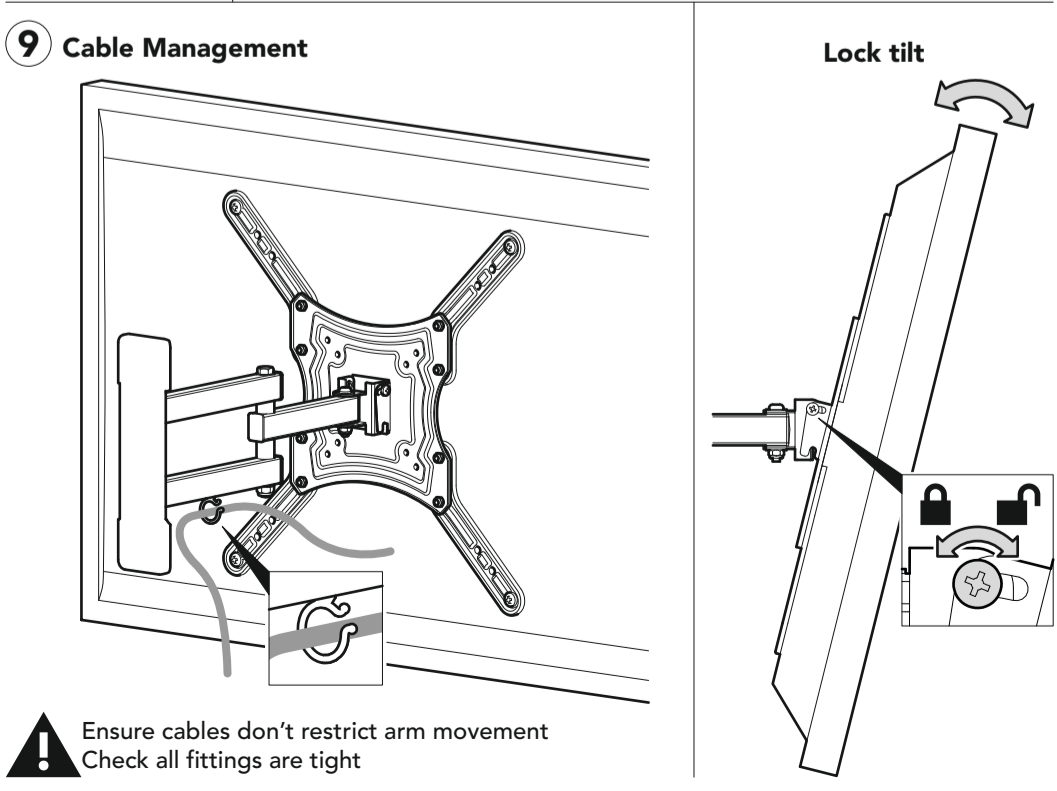
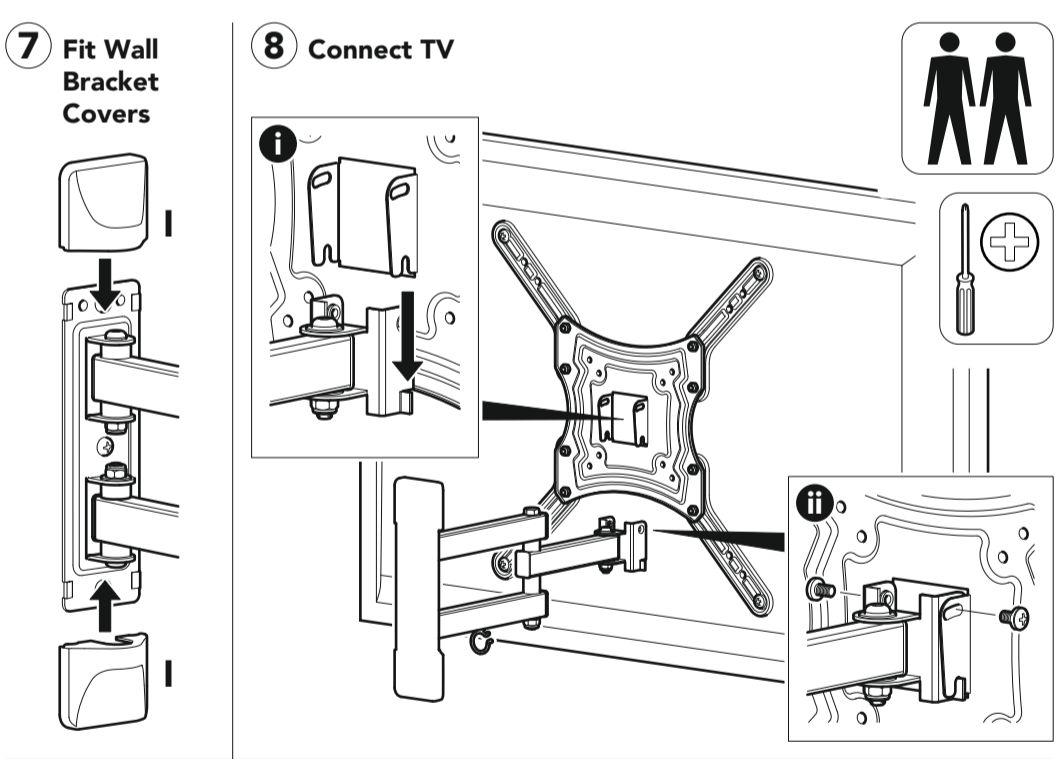
This product is sold as a home DIY product and as such, it is the responsibility of the installer to ensure the product is intended for indoor use only. Use of this product outdoors could lead to failure and personal injury.

This product is intended for indoor use only. Use of this product outdoors could lead to failure and personal injury.

You will not need all these parts, so expect there to be some left over depending upon the specification of your TV.

Contents may vary from photography/illustrations.

Retain all packaging in case the bracket needs to be returned.



TC6 466324 rev00

TESCO

STOP

Read the operating instructions and keep them in a safe place. If you have any questions about this product or issues with installation contact the help line before returning this product to the store.

Help Line: 0333 320 8027
Monday - Thursday 08:30 - 17:00 Friday 08:30 - 16:00
Calls charged at local rate

30 KG

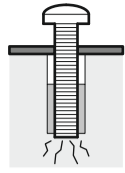
26-55" TVs

VESA TV Fixing Holes

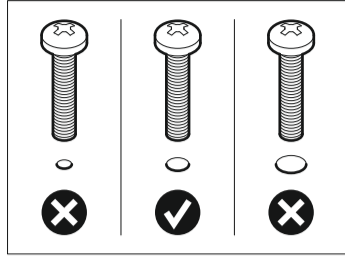
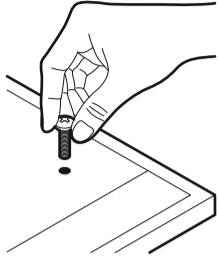
100 x 100mm, 200 x 100mm, 200 x 200mm, 300 x 300mm, 400 x 200mm, 400 x 400mm

4 Deciding the correct screw and spacer combination

! When deciding which screw diameter and length is suitable for your TV it is important to **STOP** immediately as soon as you feel any resistance to prevent damage to your TV



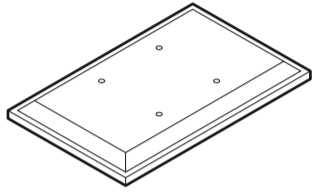
You are provided with 3 diameters of TV fixing screws, **M4**, **M6** and **M8**. Determine the screw diameter that fits and remember for the next step



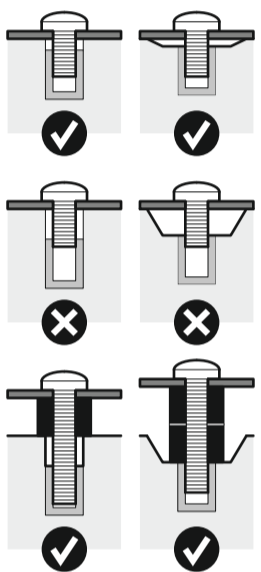
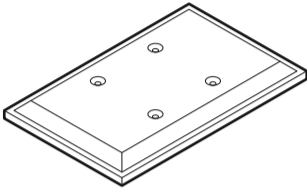
Do I need to use spacers **D**?

Spacers are provided so that you can achieve the correct fit between the back of your TV and Mounting Plate, please see below for examples of when spacers are required

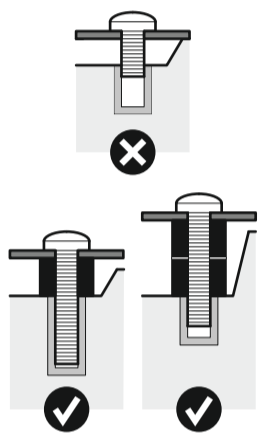
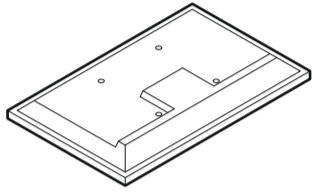
No
TV has flat back and flush fixing holes



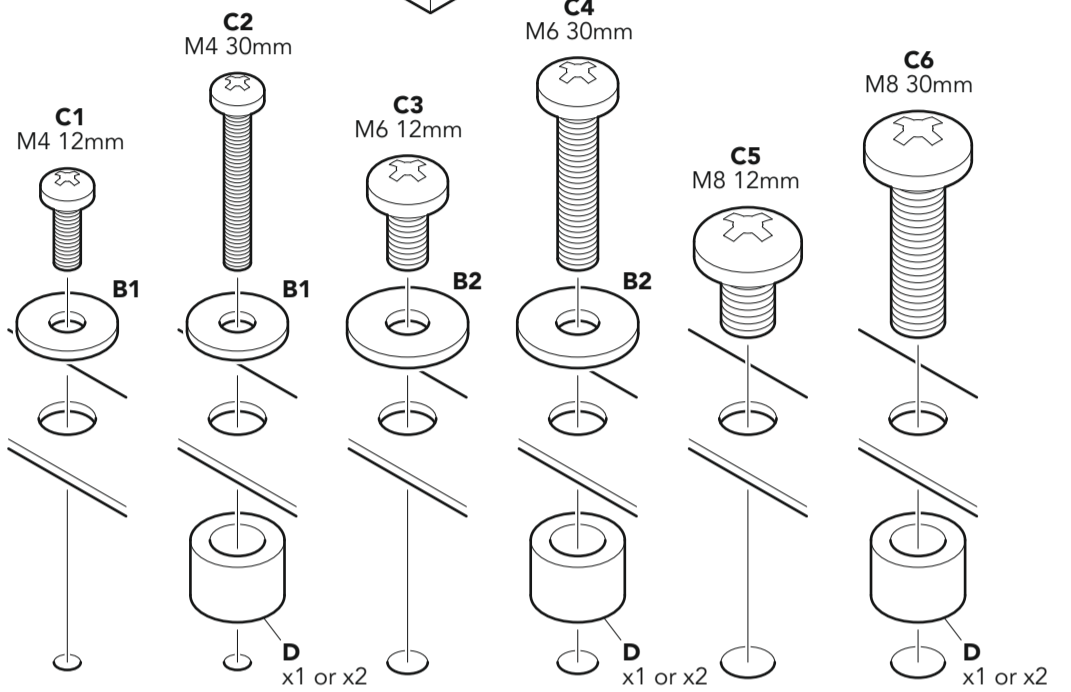
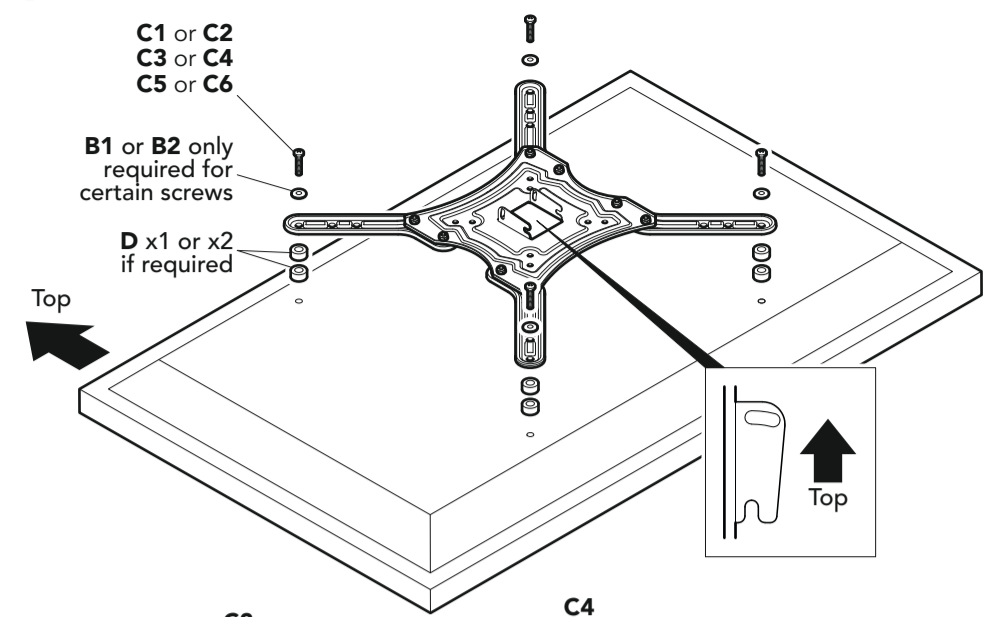
Maybe
TV has flat back with recessed fixing holes



Yes
TV has irregular or obstructed back



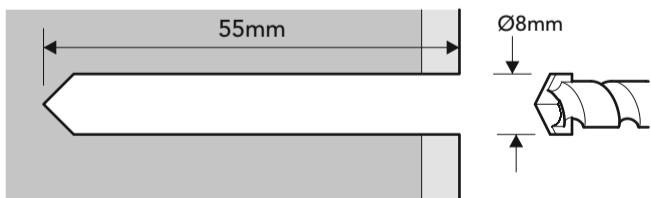
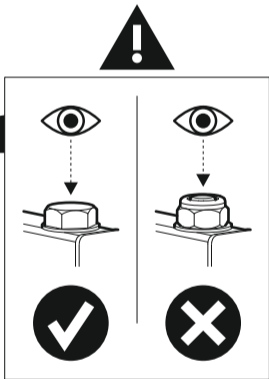
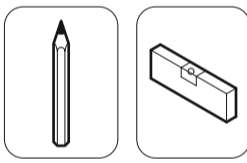
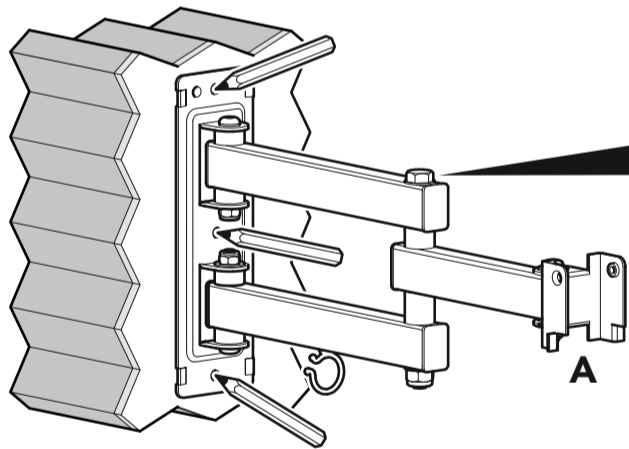
5 Fitting the TV Mounting Plate



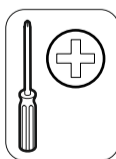
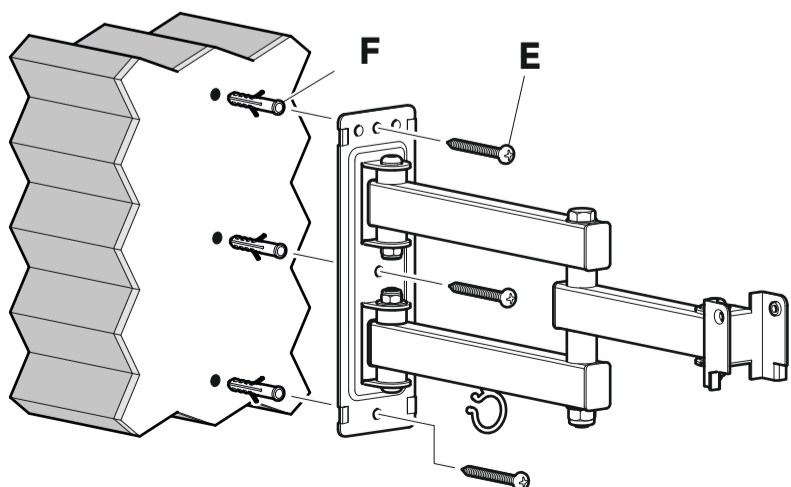
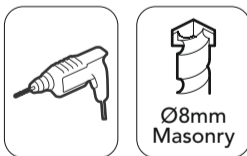
! Attach the bracket to the back of your TV using a suitable combination of screw, washer and spacer combinations. **DO NOT OVERTIGHTEN!**

💡 After completing step 5 you will have fittings left over, please keep in a safe place for future reference

6 Solid Wall

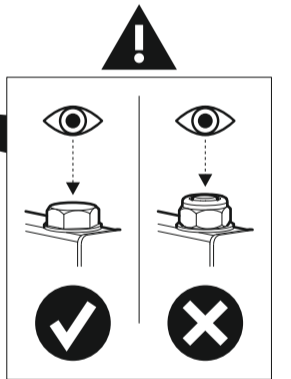
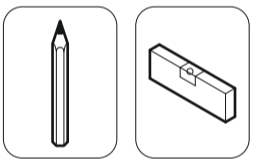
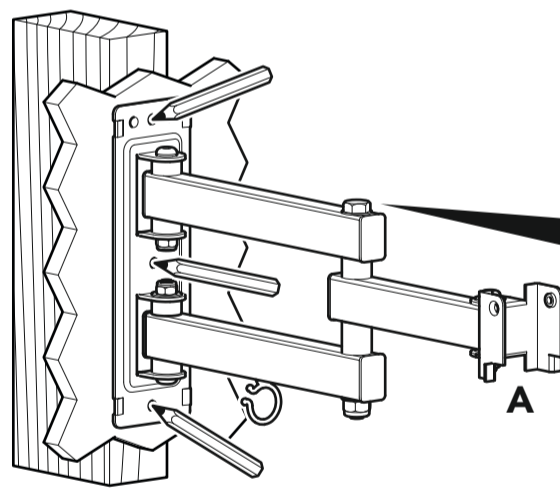


Remove dust from hole

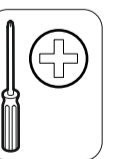
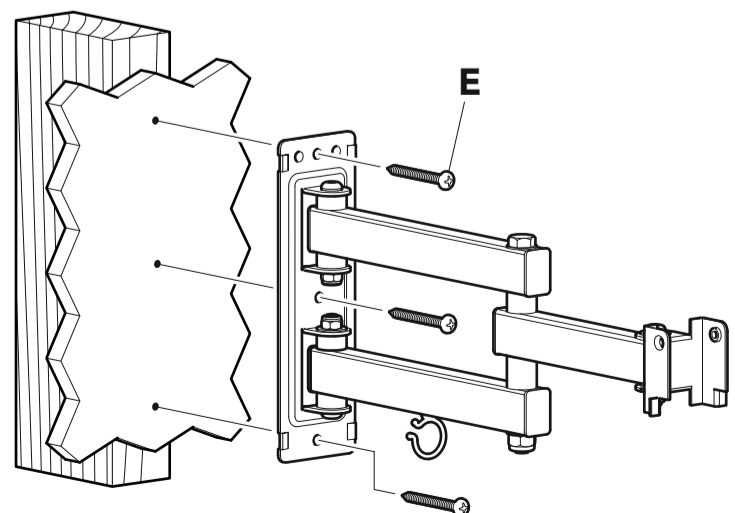
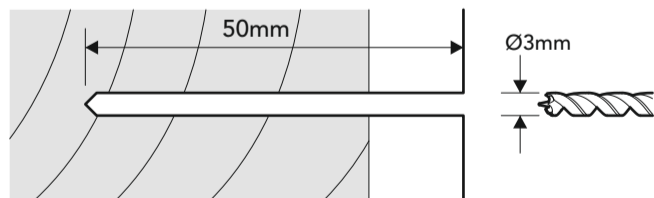


! Tighten with hand tools only **💡** Lubricate screw thread with soap

6 Wood Stud



! Ensure drill marks are in the centre of the wood stud



! Do not use **F** wall plugs in wood stud **!** Tighten with hand tools only **💡** Lubricate screw thread with soap