

Box Contents

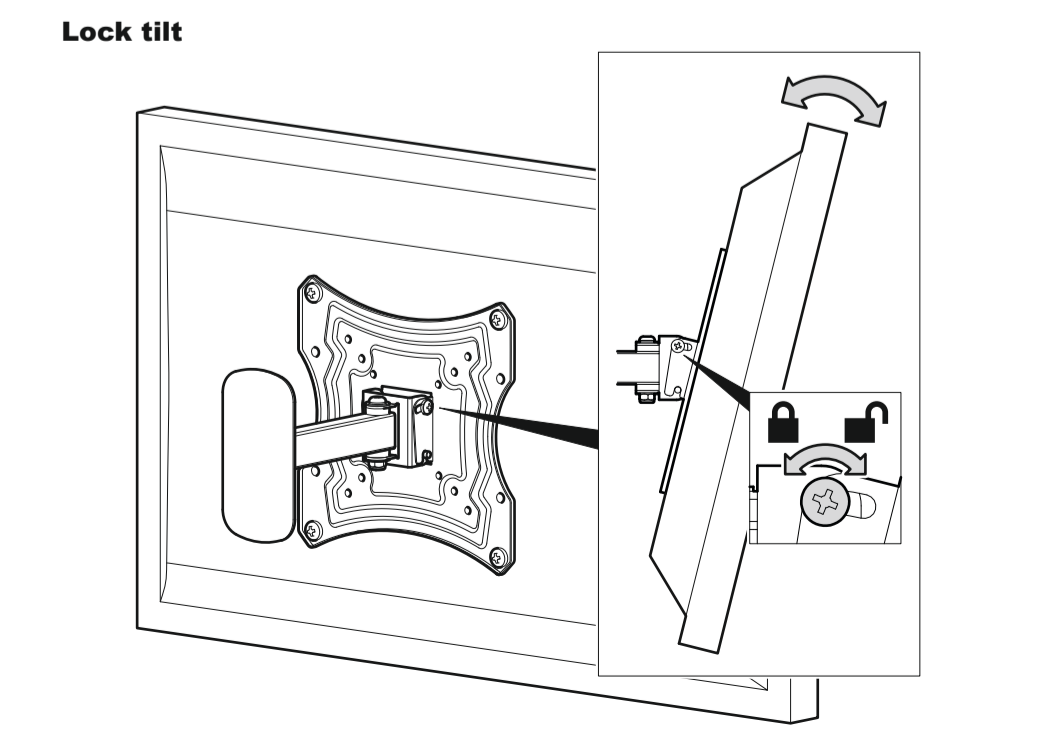
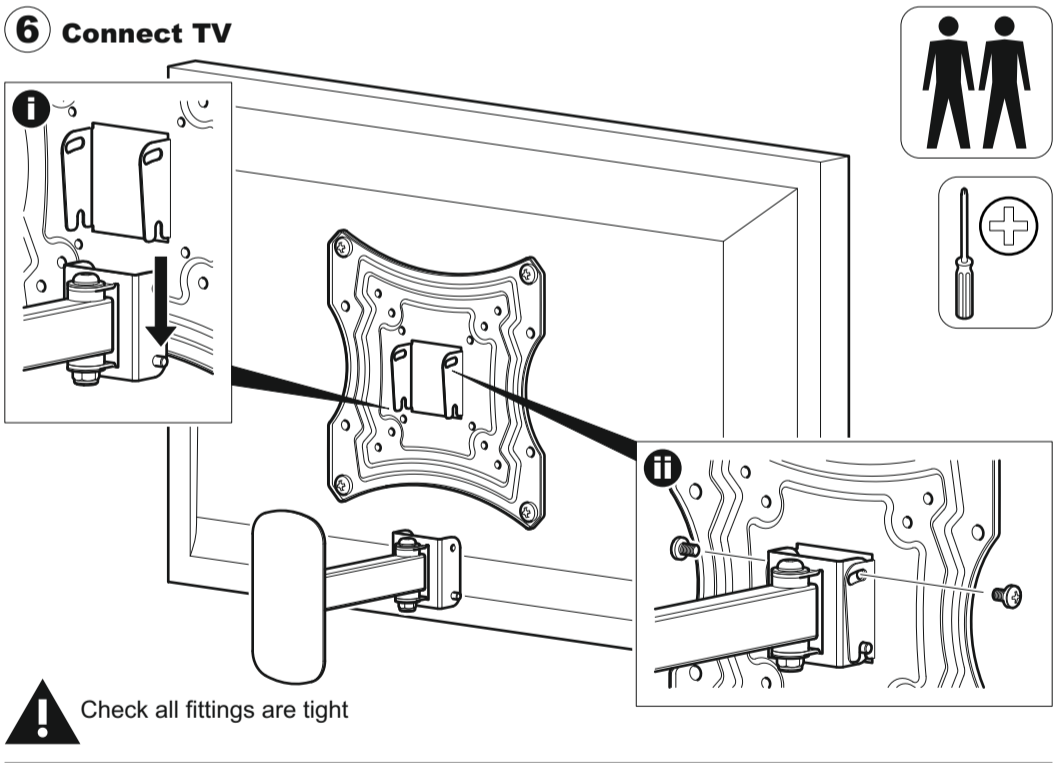
- C1 x4 M4 12mm
- C2 x4 M4 30mm
- C3 x4 M6 12mm
- C4 x4 M6 30mm
- C5 x4 M8 12mm
- C6 x4 M8 30mm
- D x8
- B1 x4 M5
- B2 x4 M6
- E x2
- F x2 (for solid wall only)

Tools Recommended

- Wood $\varnothing 3mm$
- Masonry $\varnothing 8mm$
- Level
- Drill
- Screwdriver
- Pencil

IF YOU ARE IN ANY DOUBT, CONSULT A QUALIFIED CONTRACTOR

Periodically check all nuts and bolts are tight.
 standard wall.
 TESCO accept no responsibility for any damage or loss caused by installing this product in a sub-
 void of any services (eg gas, electricity, water etc).
 It is the responsibility of the installer to ensure that the mounting wall is of a suitable standard and
 ensure the product is correctly installed.
 This product is sold as a home DIY product and as such, it is the responsibility of the installer to
 personal injury.
 This product is intended for indoor use only. Use of this product outdoors could lead to failure and
 specification of your TV.
 You will not need all these parts, so expect there to be some left over depending upon the
 Contents may vary from photography/illustrations.
 Retain all packaging in case the bracket needs to be returned.



TC3 466323 rev02

TESCO

STOP

Read the operating instructions and keep them in a safe place.
 If you have any questions about this product or issues with installation
 contact the help line before returning this product to the store.

Help Line: 0333 320 8027
 Monday - Thursday 08:30 - 17:00 Friday 08:30 - 16:00
 Calls charged at local rate

20 KG

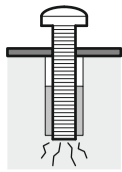
39" MAX

VESA
 TV Fixing Holes

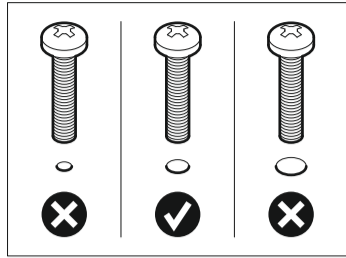
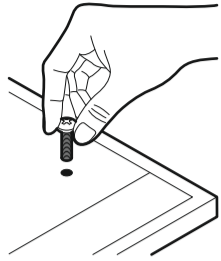
75 x 75mm
 100 x 100mm
 200 x 100mm
 200 x 200mm

3 Deciding the correct screw and spacer combination

! When deciding which screw diameter and length is suitable for your TV it is important to **STOP** immediately as soon as you feel any resistance to prevent damage to your TV



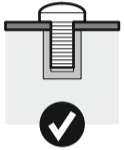
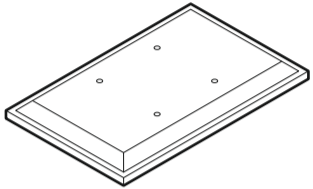
You are provided with 3 diameters of TV fixing screws, **M4, M6 and M8**. Determine the screw diameter that fits and remember for the next step



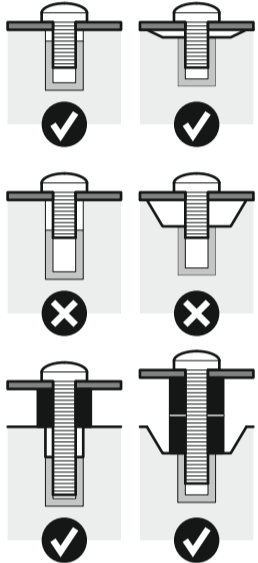
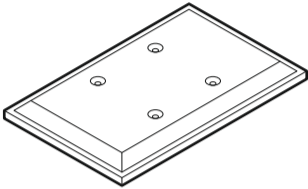
Do I need to use spacers D?

Spacers are provided so that you can achieve the correct fit between the back of your TV and Mounting Plate, please see below for examples of when spacers are required

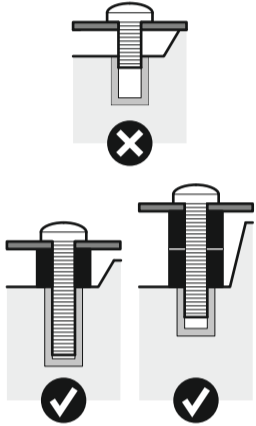
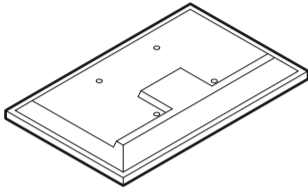
No
TV has flat back and flush fixing holes



Maybe
TV has flat back with recessed fixing holes

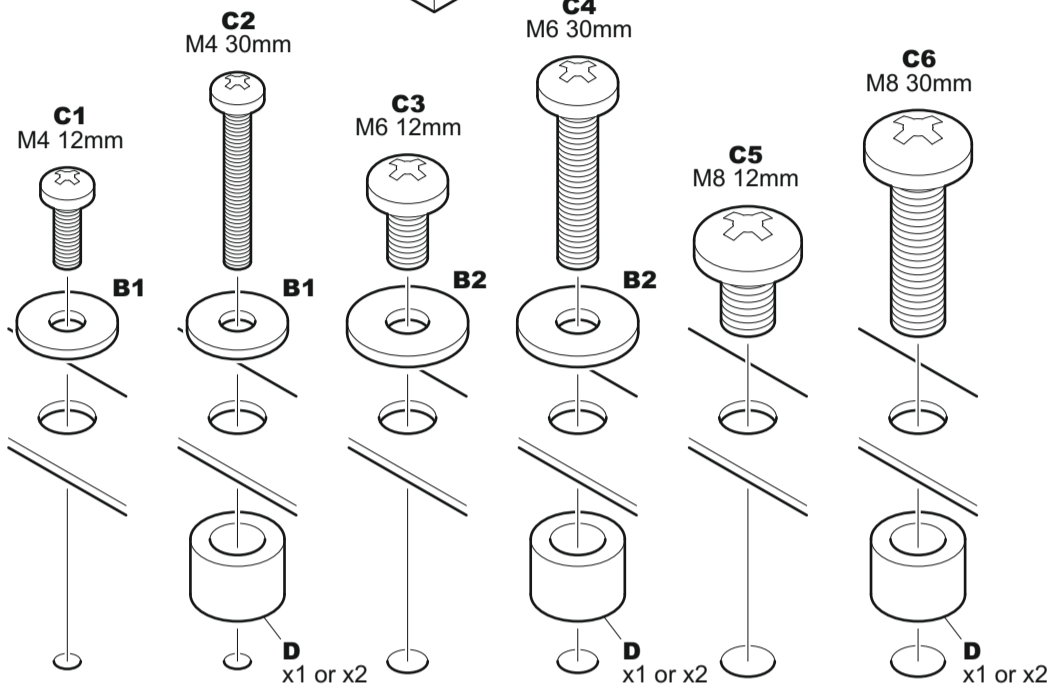
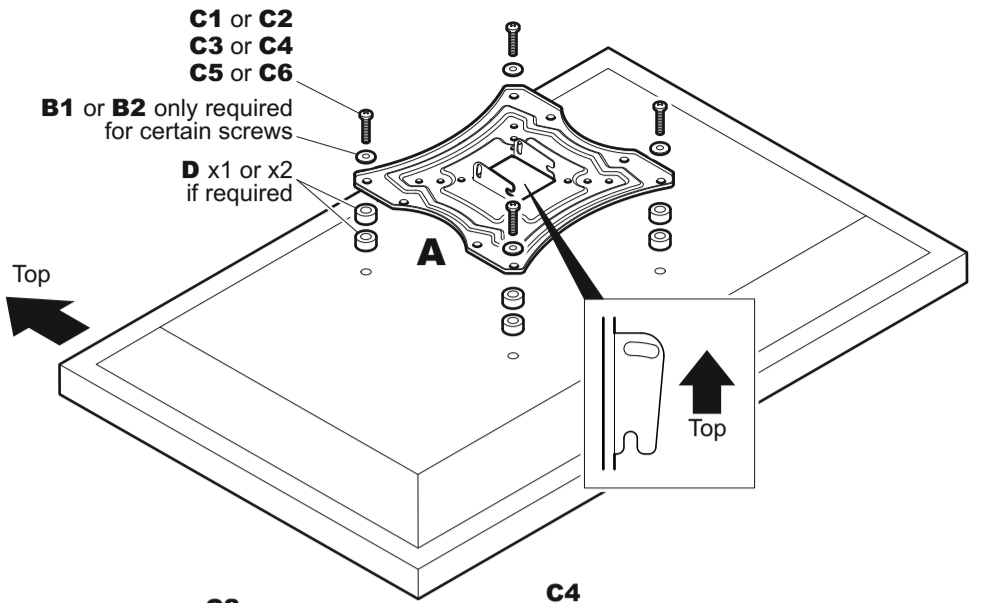


Yes
TV has irregular or obstructed back



4 Fitting the TV Mounting Plate

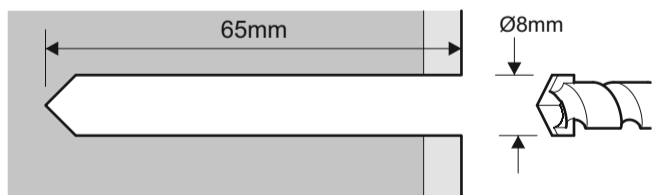
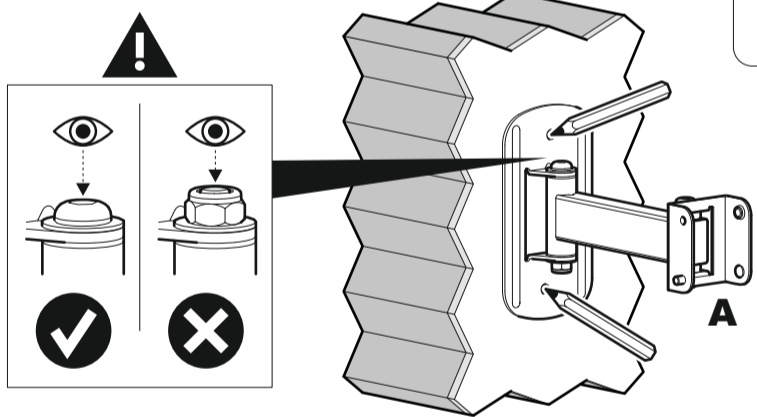
C1 or C2
C3 or C4
C5 or C6
B1 or B2 only required for certain screws
D x1 or x2 if required



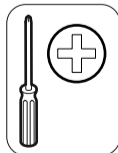
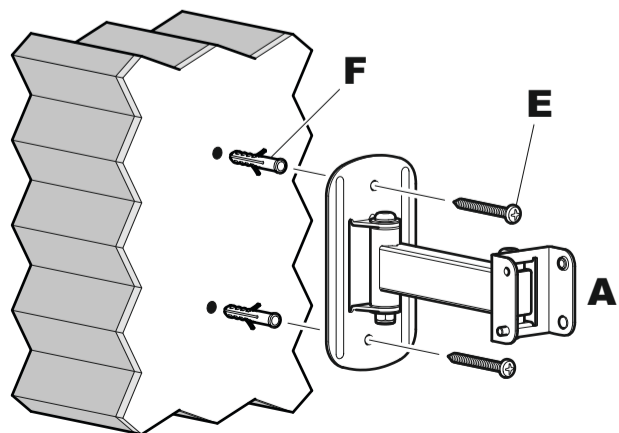
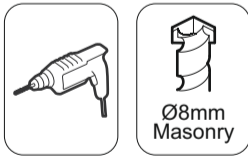
! Attach the bracket to the back of your TV using a suitable combination of screw, washer and spacer combinations. **DO NOT OVERTIGHTEN!**

💡 After completing step 3 you will have fittings left over, please keep in a safe place for future reference

5 Solid Wall



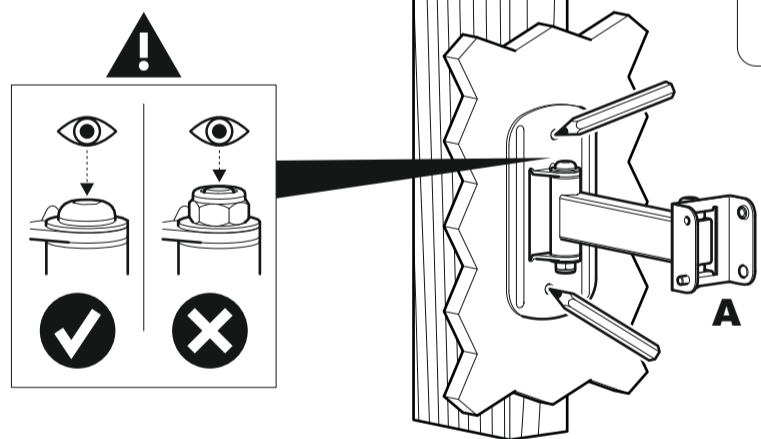
Remove dust from hole



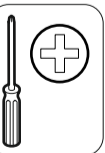
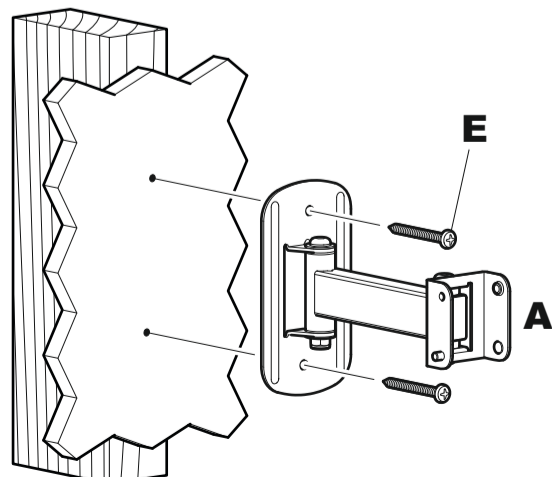
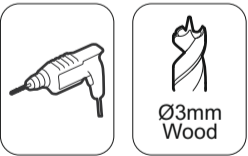
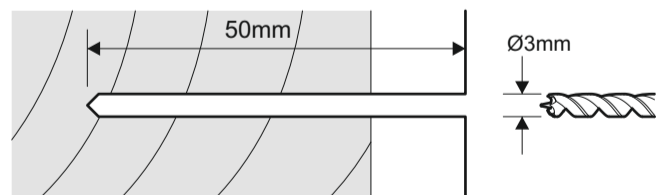
! Tighten with hand tools only

💡 Lubricate screw thread with soap

5 Wood Stud



! Ensure drill marks are in the centre of the wood stud



! Do not use F wall plugs in wood stud

! Tighten with hand tools only

💡 Lubricate screw thread with soap