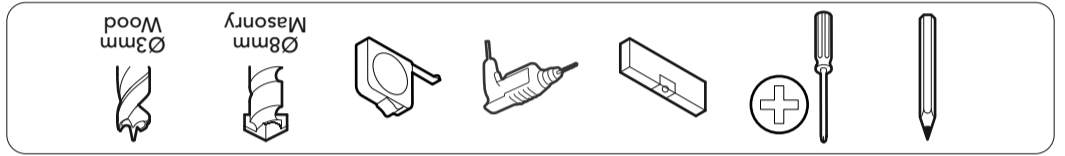
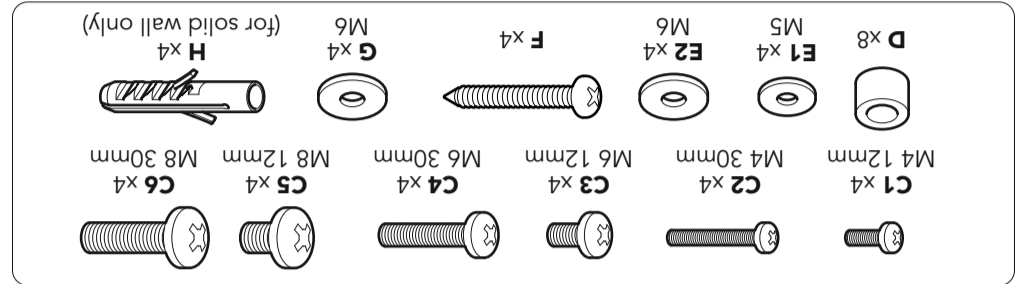
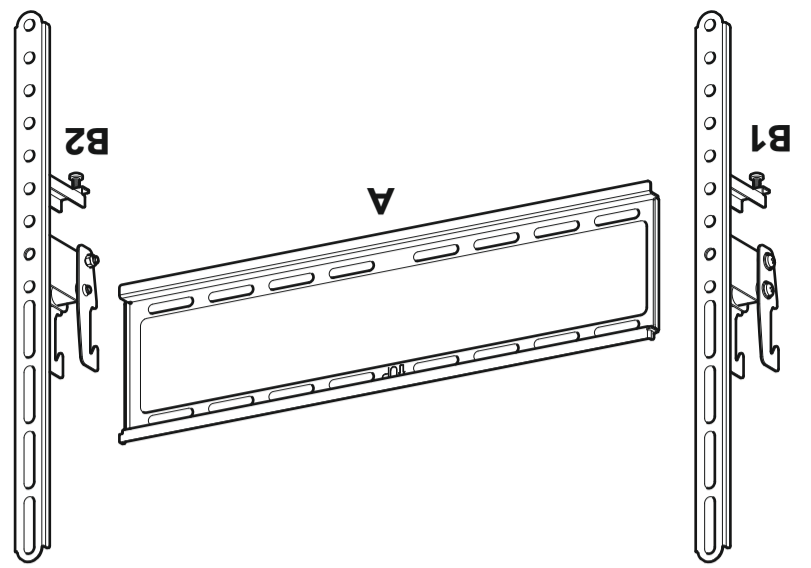


1 Measure the TV fixing holes

Your TV mount fits the following TV fixing sizes

- 75 x 75mm, 100 x 100mm
- 100 x 200mm, 200 x 100mm
- 100 x 200mm, 300 x 300mm
- 200 x 200mm, 400 x 400mm

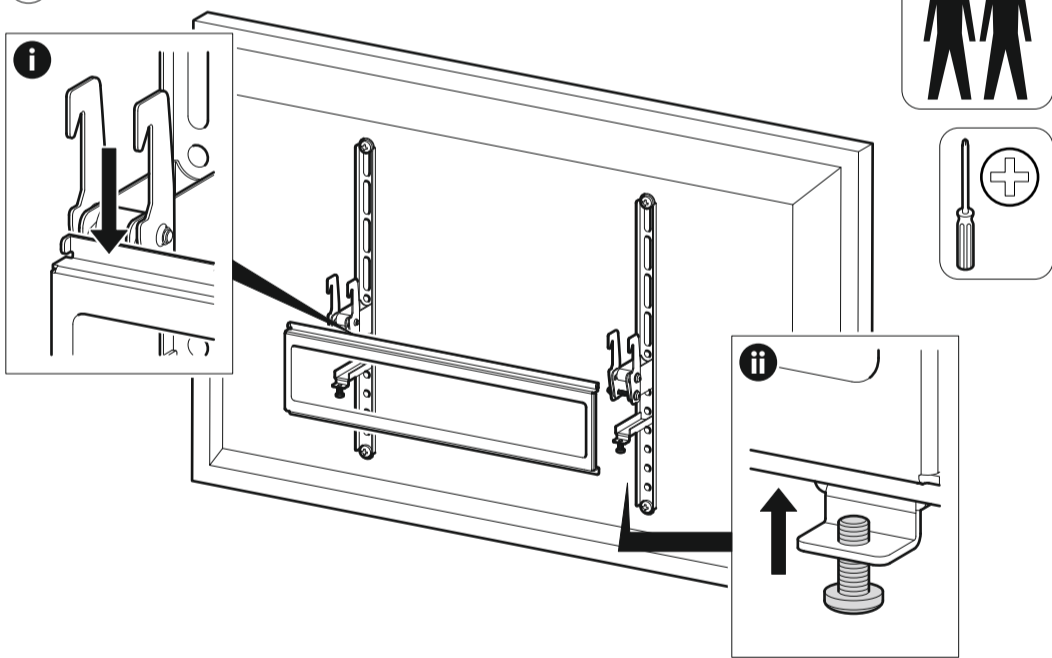


Tools Recommended

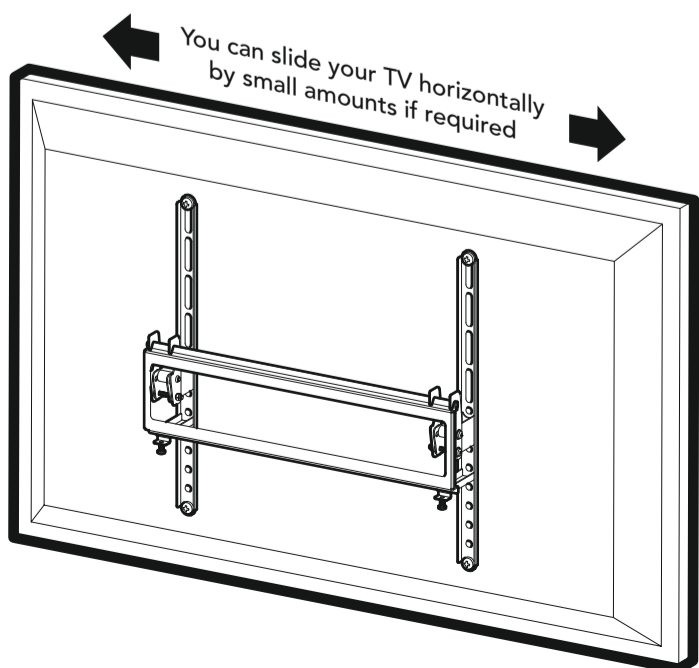
IF YOU ARE IN ANY DOUBT, CONSULT A QUALIFIED CONTRACTOR

Retain all packaging in case the bracket needs to be returned. Contents may vary from photography/illustrations. You will not need all these parts, so expect there to be some left over depending upon the specification of your TV. This product is intended for indoor use only. Use of this product outdoors could lead to failure and personal injury. This product is sold as a home DIY product and as such, it is the responsibility of the installer to ensure the product is correctly installed. It is the responsibility of the installer to ensure that the mounting wall is of a suitable standard and void of any services (eg gas, electricity, water etc). TESCO accept no responsibility for any damage or loss caused by installing this product in a sub standard wall. Periodically check all nuts and bolts are tight.

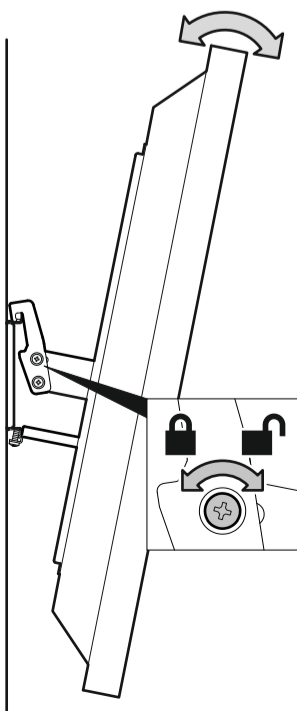
5 Connect TV



Optional



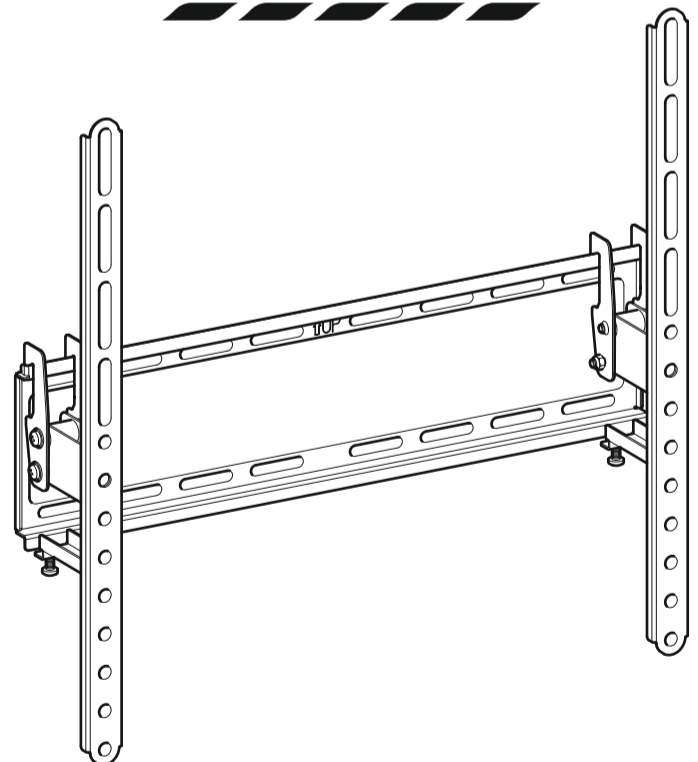
Lock tilt



TC5

466322 rev00

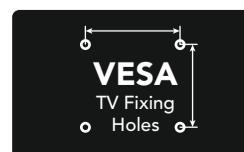
TESCO



Read the operating instructions and keep them in a safe place. If you have any questions about this product or issues with installation contact the help line before returning this product to the store.

Help Line: 0333 320 8027

Monday - Thursday 08:30 - 17:00 Friday 08:30 - 16:00
Calls charged at local rate

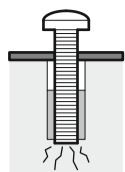


75 x 75mm, 100 x 100mm
100 x 200mm, 200 x 100mm
200 x 200mm, 300 x 300mm
400 x 200mm, 400 x 400mm

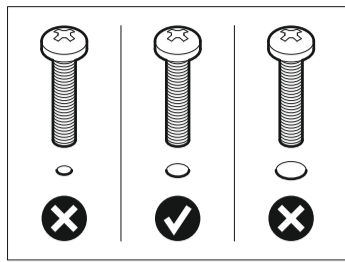
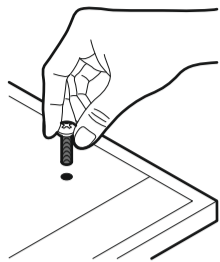
2 Deciding the correct screw and spacer combination



When deciding which screw diameter and length is suitable for your TV it is important to **STOP** immediately as soon as you feel any resistance to prevent damage to your TV



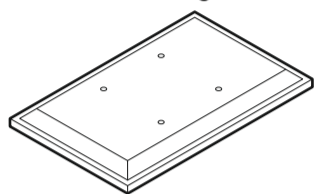
You are provided with 3 diameters of TV fixing screws, **M4**, **M6** and **M8**. Determine the screw diameter that fits and remember for the next step



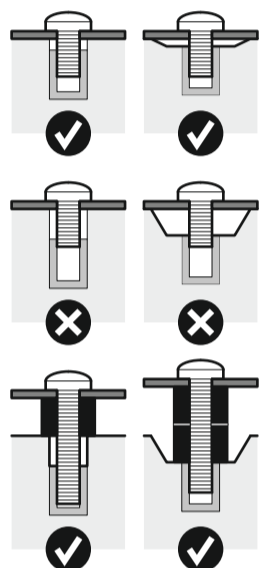
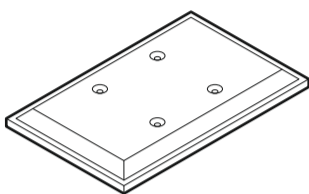
Do I need to use spacers **D**?

Spacers are provided so that you can achieve the correct fit between the back of your TV and Mounting Plate, please see below for examples of when spacers are required

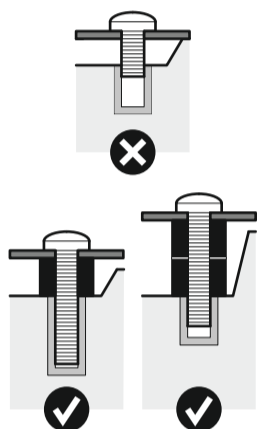
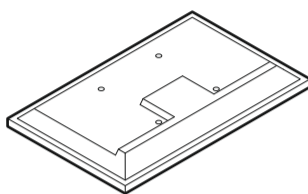
No
TV has flat back and flush fixing holes



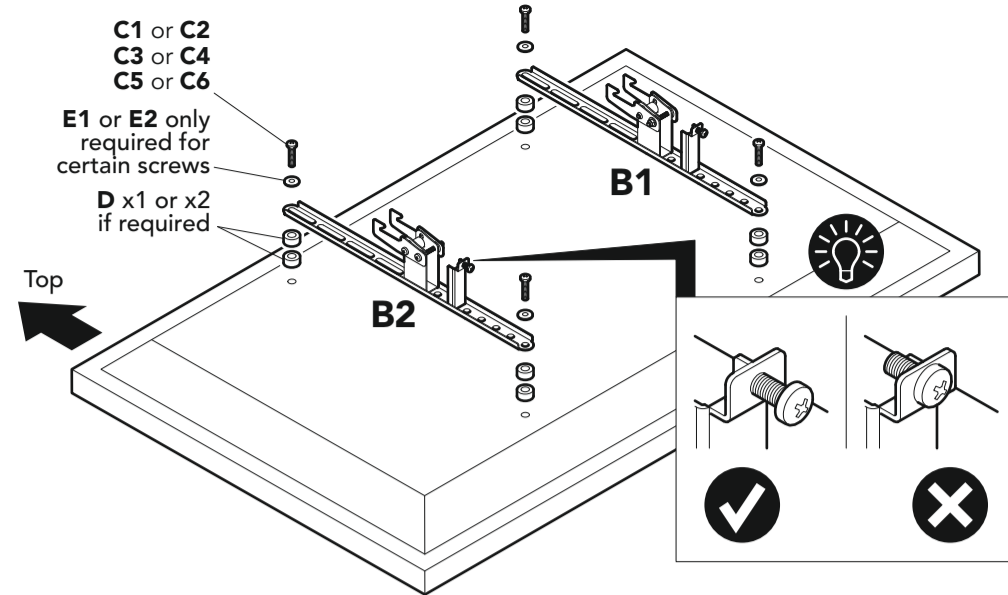
Maybe
TV has flat back with recessed fixing holes



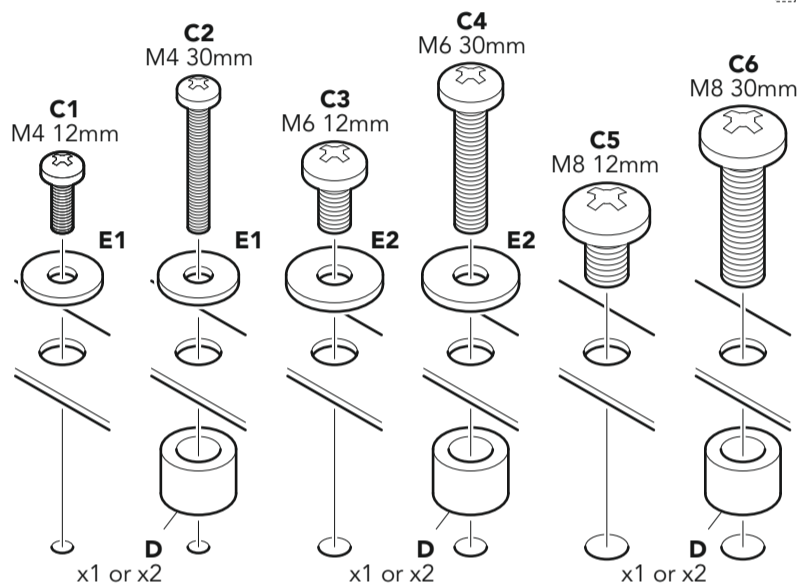
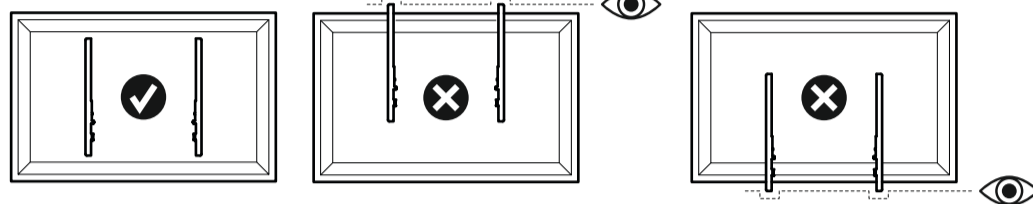
Yes
TV has irregular or obstructed back



3 Fitting the TV Brackets



Ensure TV Brackets **B1** and **B2** do not protrude at the top or bottom of your TV

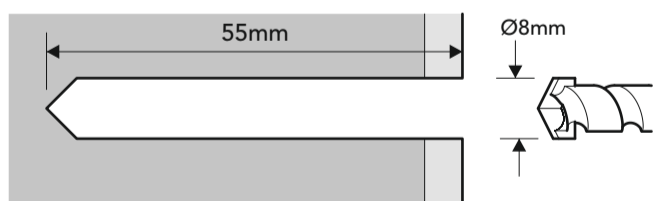
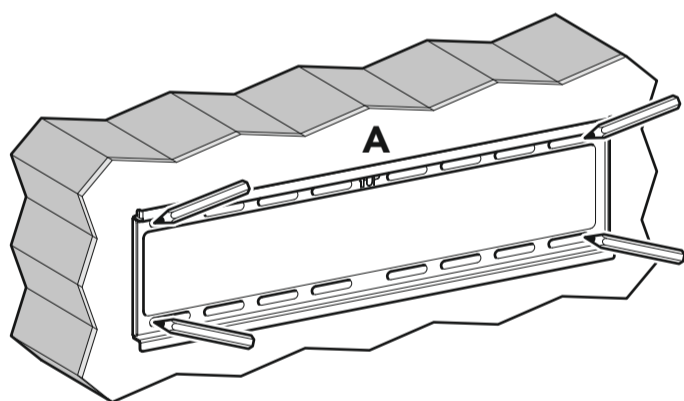
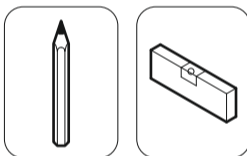


! Attach the bracket to the back of your TV using a suitable combination of screw, washer and spacer combinations. **DO NOT OVERTIGHTEN!**

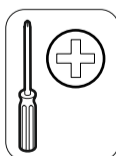
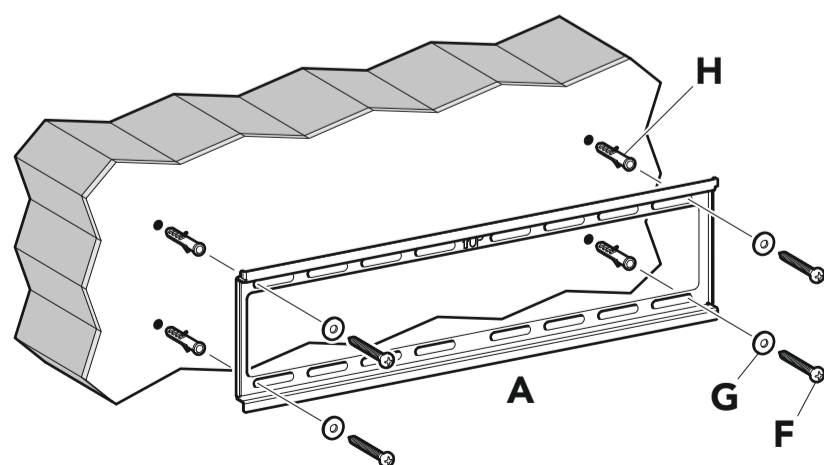


After completing step 3 you will have fittings left over, please keep in a safe place for future reference

4 Solid Wall



Remove dust from hole

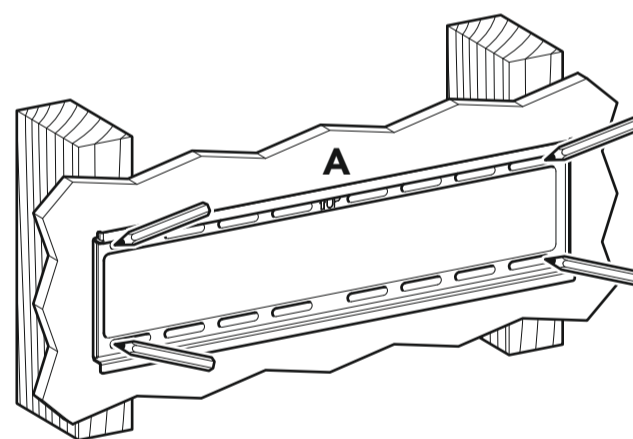
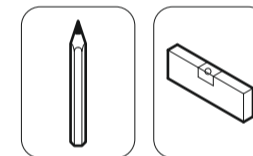


! Tighten with hand tools only

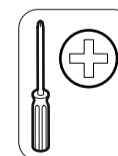
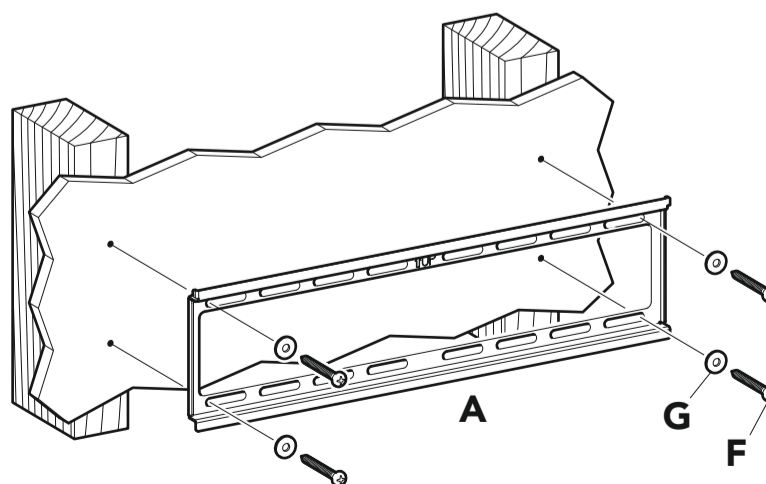
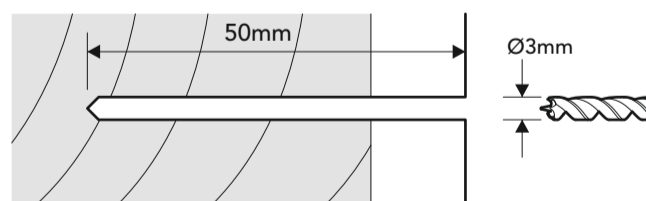


Lubricate screw thread with soap

4 Wood Stud



Ensure drill marks are in the centre of the wood stud



Do not use **H** wall plugs in wood stud



Tighten with hand tools only



Lubricate screw thread with soap