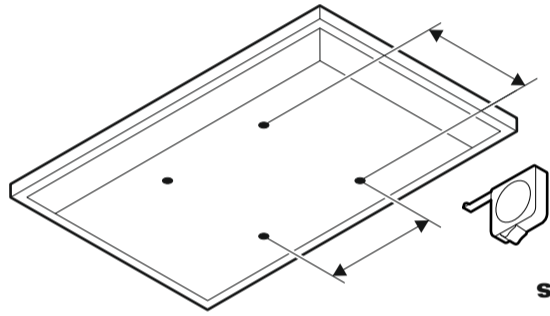
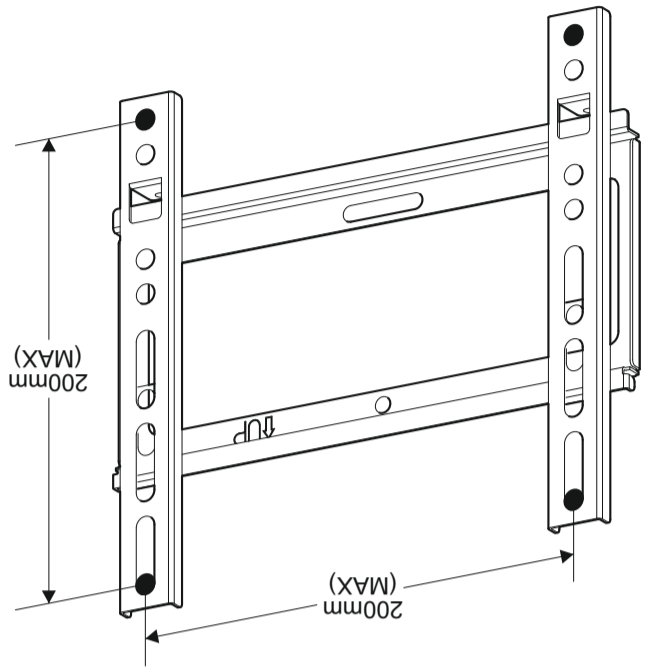
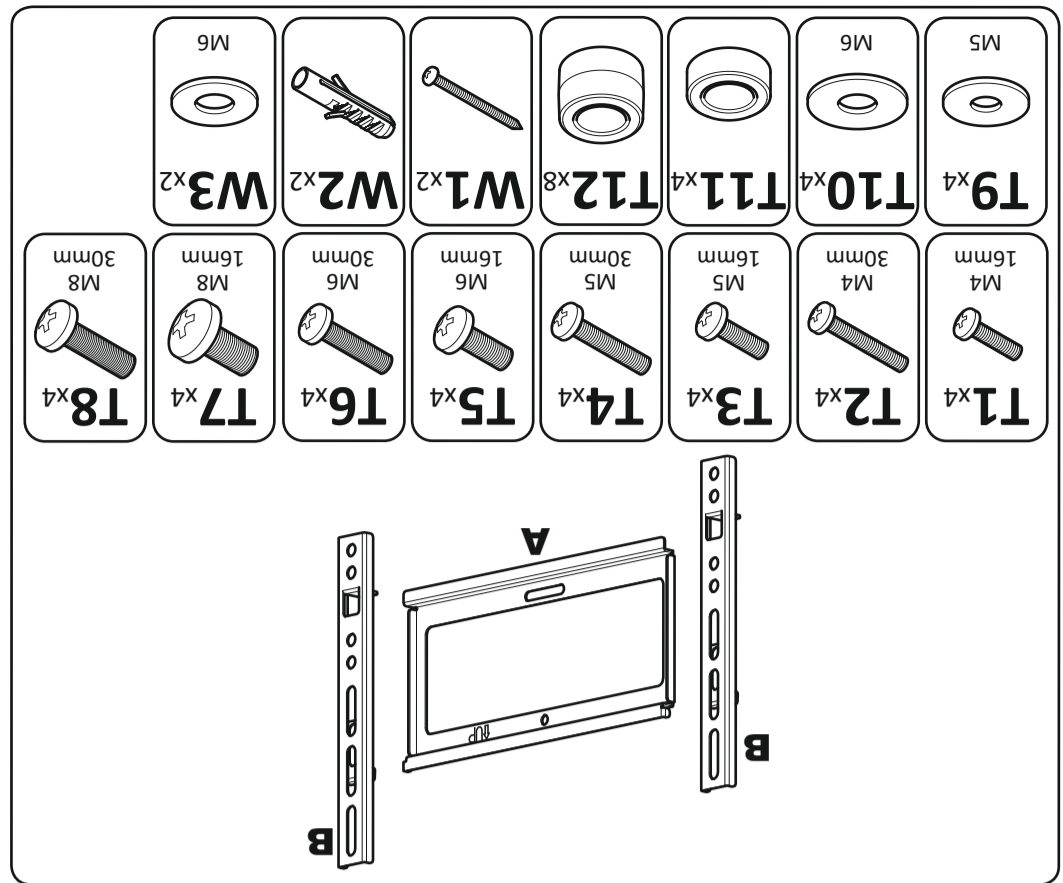


**2 Prepare TV Brackets**



**1 Measure the TV fixing holes**

Your TV mount fits the following TV fixing sizes  
 50 x 50mm, 75 x 75mm,  
 100 x 100mm, 100 x 200mm,  
 200 x 100mm, 200 x 200mm



**Box Contents**

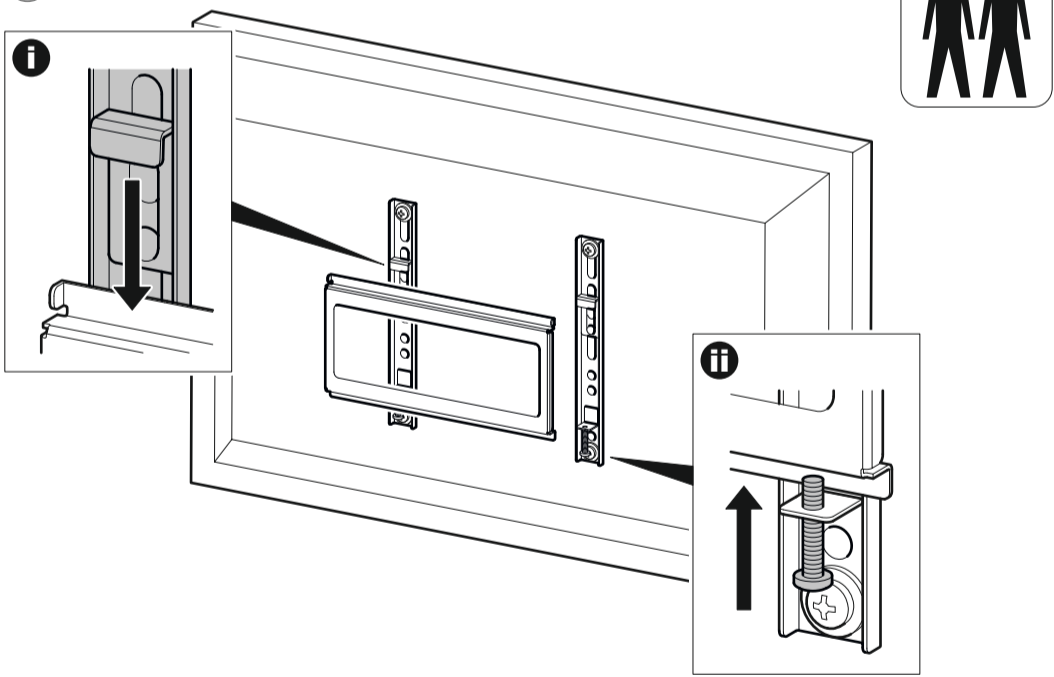


**Tools Recommended**

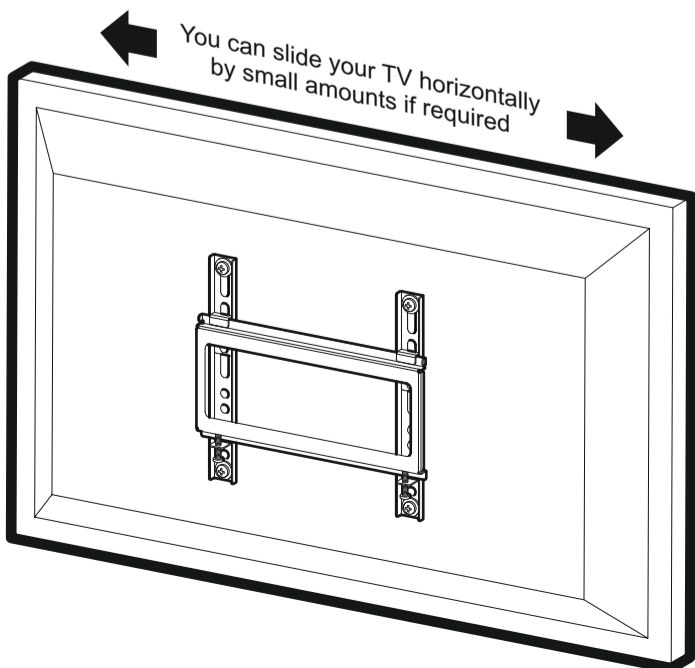
**IF YOU ARE IN ANY DOUBT, CONSULT A QUALIFIED CONTRACTOR**

Periodically check all nuts and bolts are tight.  
 Retain all packaging in case the bracket needs to be returned.  
 Contents may vary from photography/illustrations.  
 You will not need all these parts, so expect there to be some left over depending upon the specification of your TV.  
 This product is intended for indoor use only. Use of this product outdoors could lead to failure and personal injury.  
 This product is sold as a home DIY product and as such, it is the responsibility of the installer to ensure the product is correctly installed.  
 It is the responsibility of the installer to ensure that the mounting wall is of a suitable standard and void of any services (eg gas, electricity, water etc).  
 TESCO accept no responsibility for any damage or loss caused by installing this product in a sub standard wall.

**6 Connect TV**



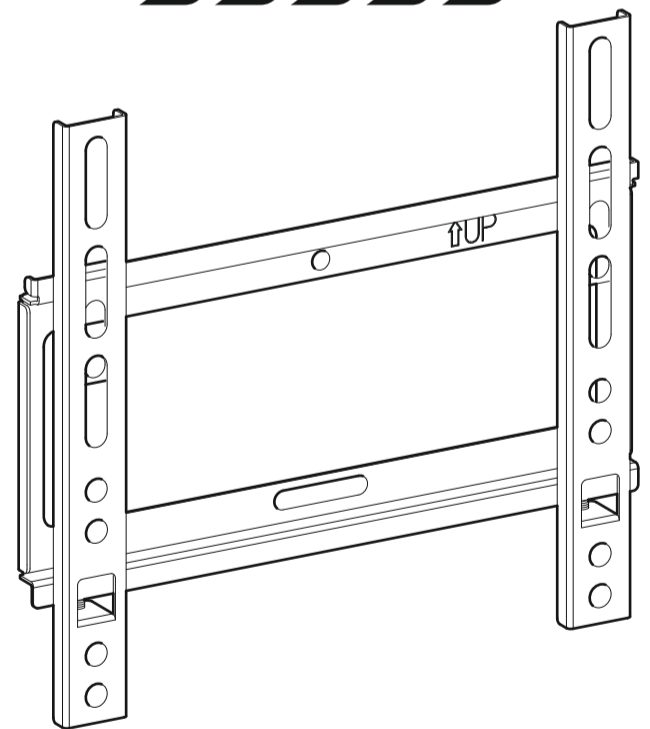
**Optional**



TC1

466319 rev02

**TESCO**



Read the operating instructions and keep them in a safe place.  
 If you have any questions about this product or issues with installation contact the help line before returning this product to the store.

Installation video guide and TV Height Calculator tool at [myTVmount.com](http://myTVmount.com)

Help Line: **0333 320 8027**

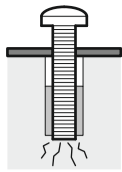
Monday - Thursday 08:30 - 17:00 Friday 08:30 - 16:00  
 Calls charged at local rate



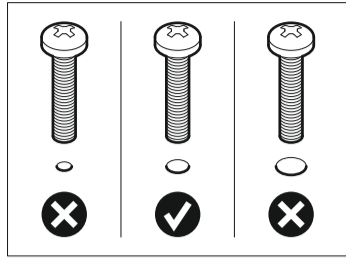
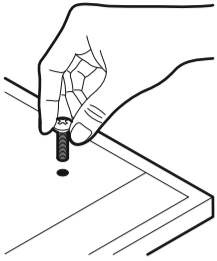
50 x 50mm, 75 x 75mm,  
 100 x 100mm, 100 x 200mm,  
 200 x 100mm, 200 x 200mm

### 3 Deciding the correct screw and spacer combination

**!** When deciding which screw diameter and length is suitable for your TV it is important to **STOP** immediately as soon as you feel any resistance to prevent damage to your TV



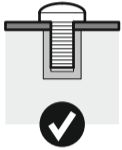
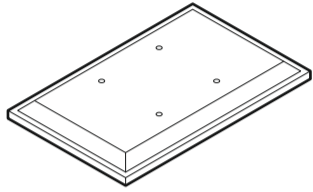
You are provided with 4 diameters of TV fixing screws, **M4, M5, M6** and **M8**. Determine the screw diameter that fits and remember for the next step



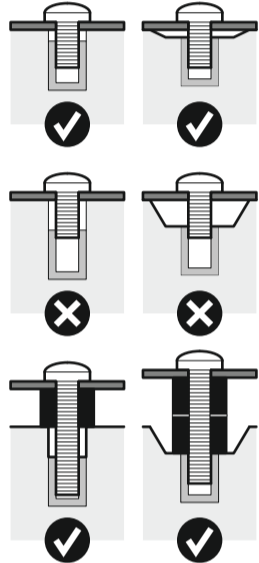
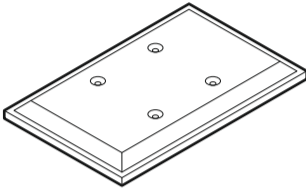
#### Do I need to use spacers T11 or T12?

Spacers are provided so that you can achieve the correct fit between the back of your TV and Mounting Plate, please see below for examples of when spacers are required

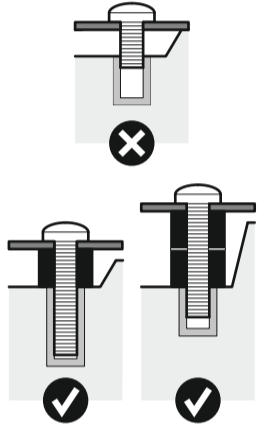
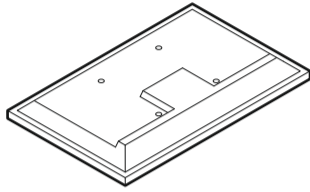
**No**  
TV has flat back and flush fixing holes



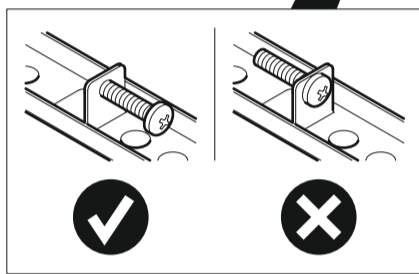
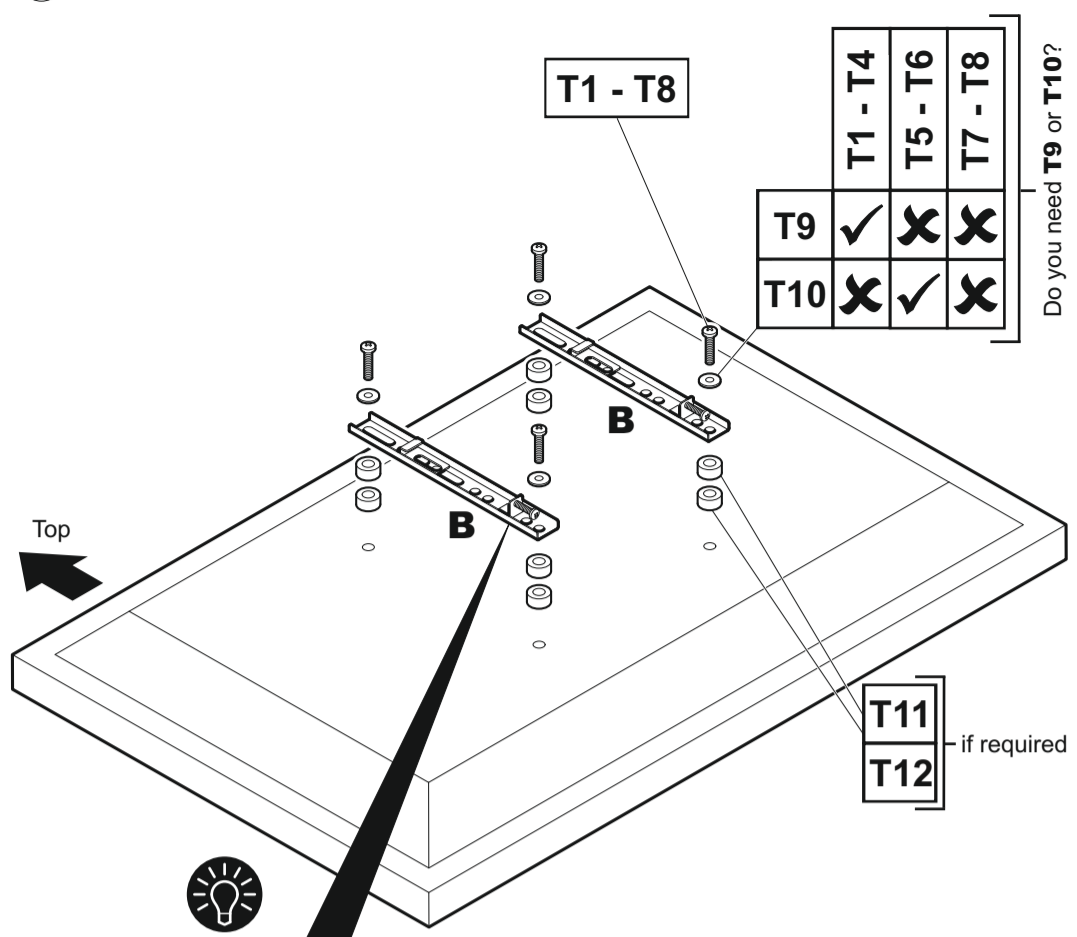
**Maybe**  
TV has flat back with recessed fixing holes



**Yes**  
TV has irregular or obstructed back



### 4 Fitting the TV Brackets

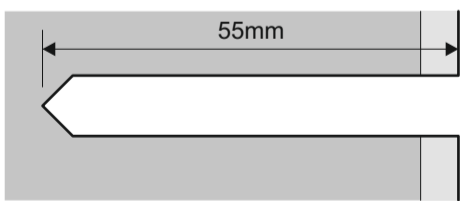
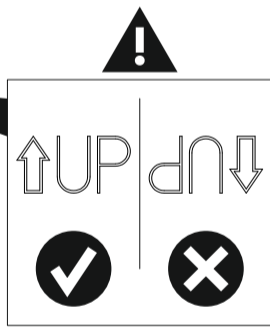
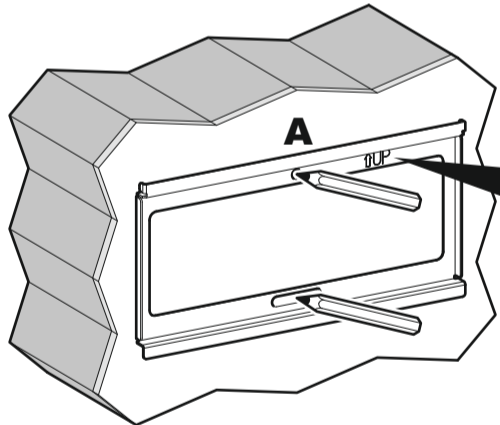
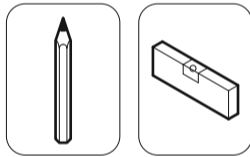


**!** Attach the bracket to the back of your TV using a suitable combination of screw, washer and spacer combinations. **DO NOT OVERTIGHTEN!**

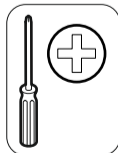
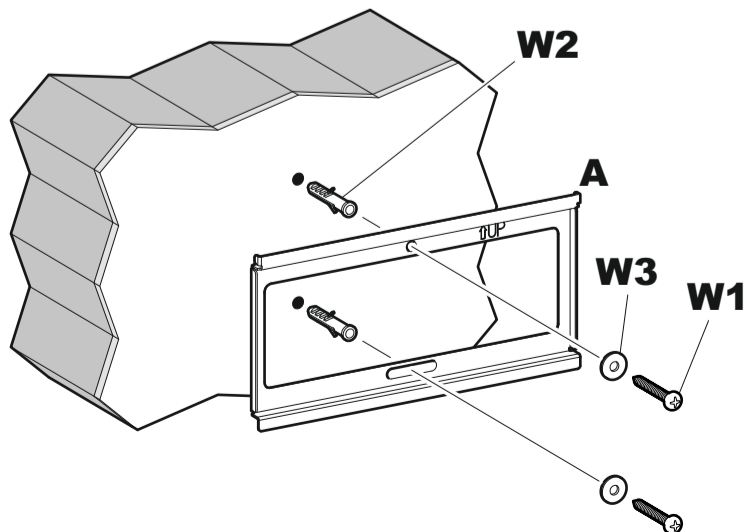
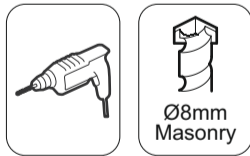
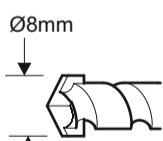
**💡** After completing step 4 you will have fittings left over, please keep in a safe place for future reference

### 5 Solid Wall

**!** Get it right with our easy to use online TV Height Calculator at [myTVMount.com](http://myTVMount.com)



Remove dust from hole

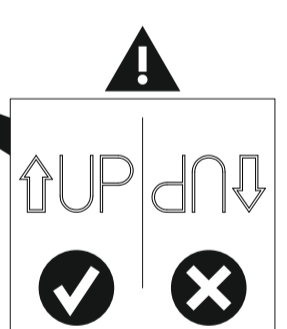
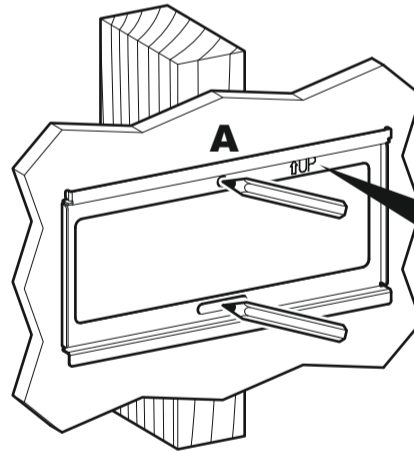
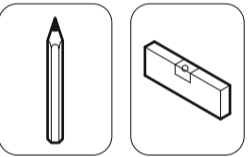


**!** Tighten with hand tools only

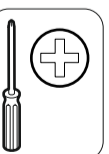
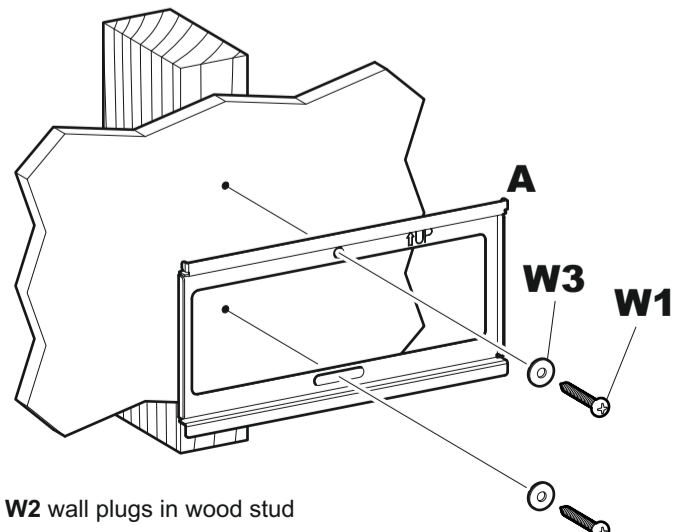
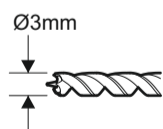
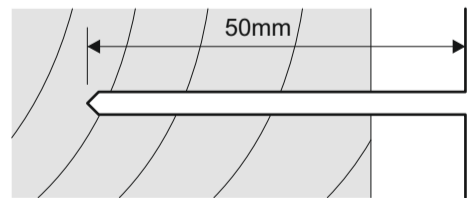
**💡** Lubricate screw thread with soap

### 5 Wood Stud

**!** Get it right with our easy to use online TV Height Calculator at [myTVMount.com](http://myTVMount.com)



**!** Ensure drill marks are in the centre of the wood stud



**!** Do not use W2 wall plugs in wood stud

**!** Tighten with hand tools only

**💡** Lubricate screw thread with soap