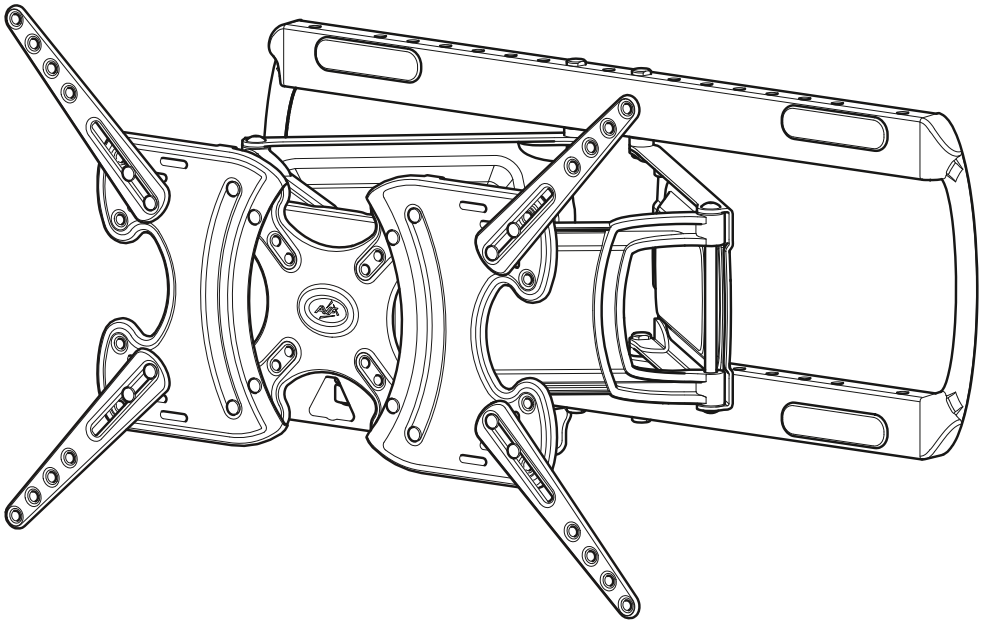


# JNL655

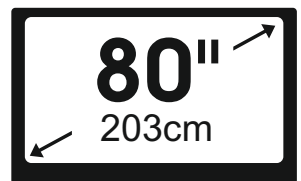
Leaflet No. **465396** rev00



*Read through **ALL** instructions before commencing installation. If you have any questions about this product or issues with installation contact the customer services helpline before returning this product to the store. See [jl.avfgroup.com/p/jnl655](http://jl.avfgroup.com/p/jnl655) for more information.*

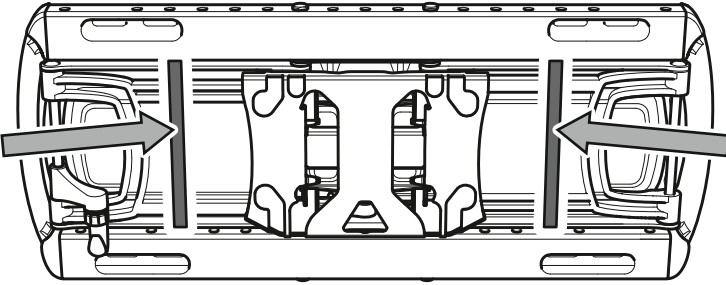
**CUSTOMER SERVICES HELP LINE NUMBER:**

**01952 670009**



**AVF Group Ltd.** Hortonwood 30, Telford, Shropshire, TF1 7YE, England

  
Do Not remove  
until step 6  
*Ne pas retirer  
avant l'étape 6*



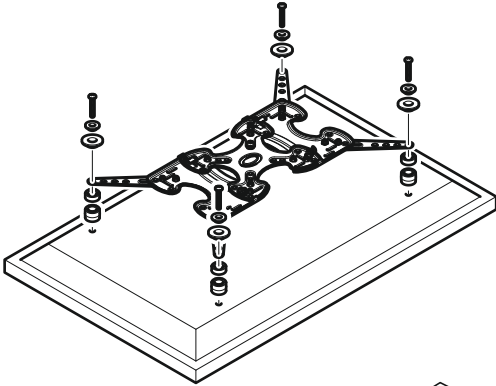
  
Do Not remove  
until step 6  
*Ne pas retirer  
avant l'étape 6*

## Assembly Overview

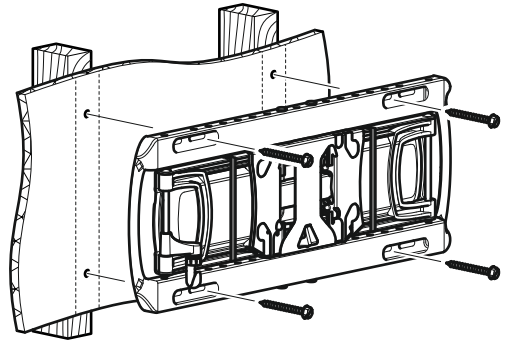


2 Person Installation Recommended

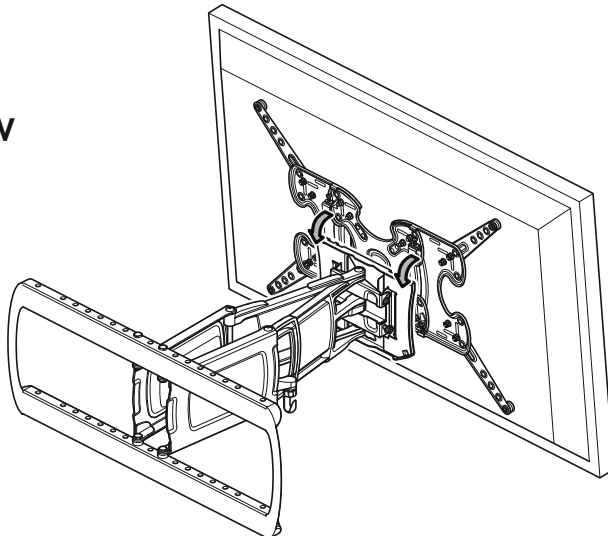
Fit the TV Mounting Plate



Fit the Wall Bracket



Connect the TV



## Index

**1** Measure the TV fixing holes Width and Height

**2** Preparing the Front Adaptor Plate

**3** Preparing the TV Mounting Plate

**4** Fitting the TV Mounting Plate

**5** Fitting the Wall Bracket

**6** Fitting the Wall Bracket Covers

**7** Connecting the TV

**8** Cable Management

Retain all packaging in case the bracket needs to be returned.

Contents may vary from photography/ Illustrations.

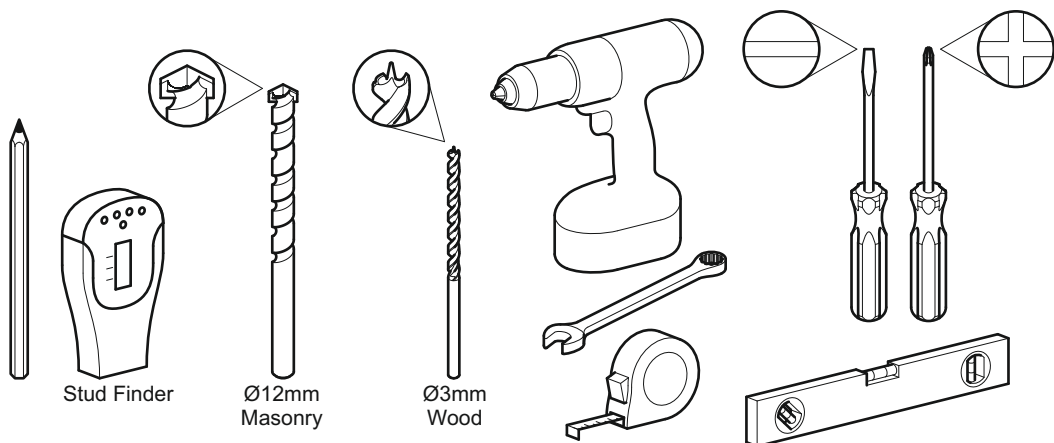
You will not need all these parts, so expect there to be some left over depending upon the specification of your TV.

This product is intended for indoor use only. Use of this product outdoors could lead to failure and personal injury.

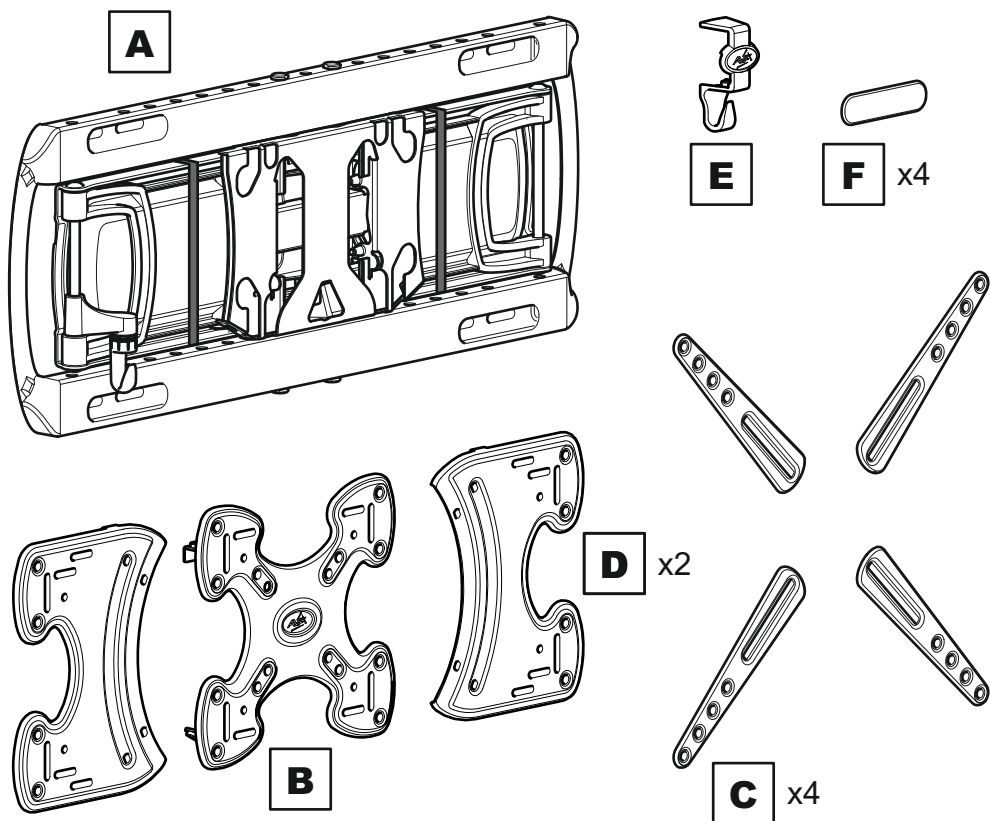
It is the responsibility of the installer to ensure that the mounting wall is of a suitable standard and void of any services (eg gas, electricity, water etc).

AVF accept no responsibility for any damage or loss caused by installing this product in a sub standard wall.

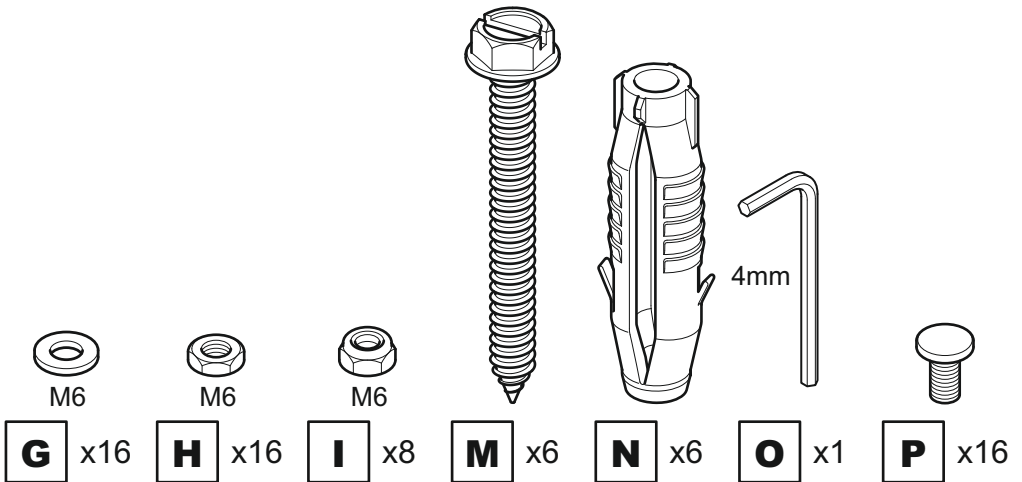
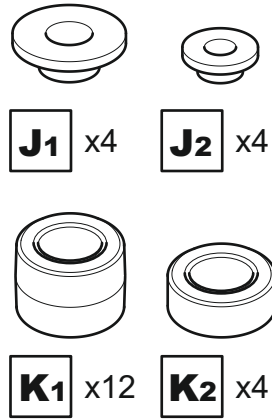
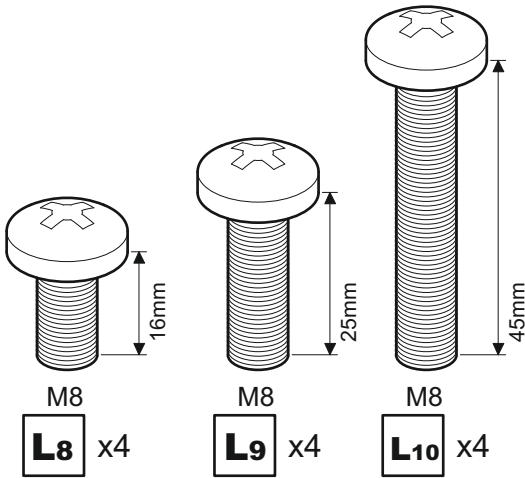
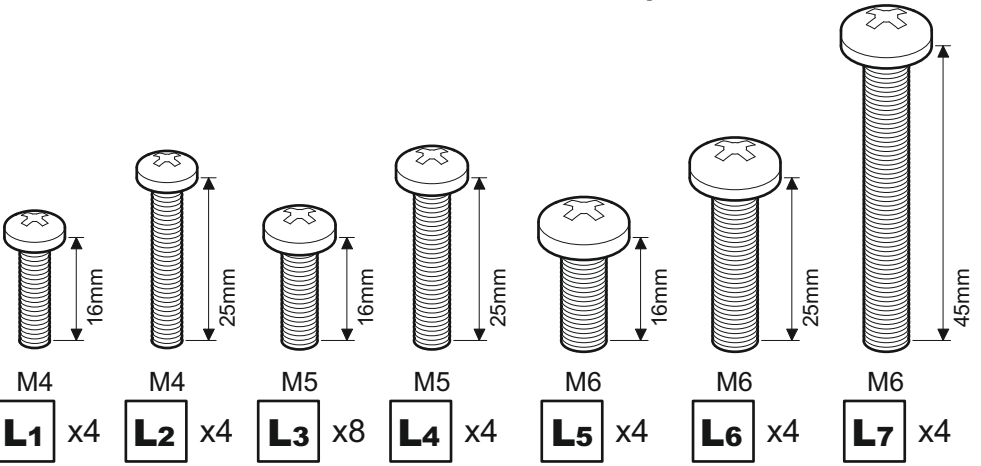
## Tools Recommended



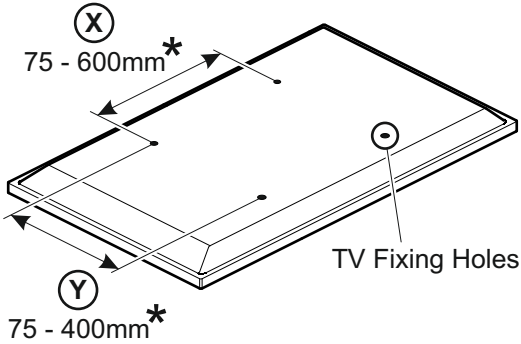
## Boxed Parts



# TV Screws, Reducers and Spacers



# 1 Measure the TV fixing holes Width and Height

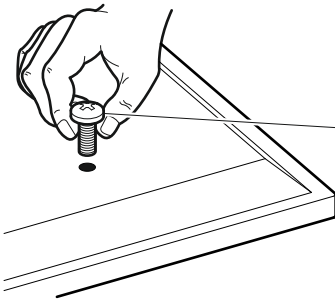


If width **(X)** is greater than 600mm\* or height **(Y)** greater than 400mm\*  
STOP installation now and contact the customer help line

\*Also fits TV fixing holes

<b>(X)</b> 630mm	<b>(Y)</b> 310mm	<b>(X)</b> 650mm	<b>(Y)</b> 320mm	<b>(X)</b> 660mm	<b>(Y)</b> 320mm
------------------	------------------	------------------	------------------	------------------	------------------

You are provided with 4 diameters of TV fixing screws, **M4**, **M5**, **M6** and **M8**. Determine the screw diameter that fits and remember for step 4.



**M4 = L1-L2**

**M5 = L3-L4**

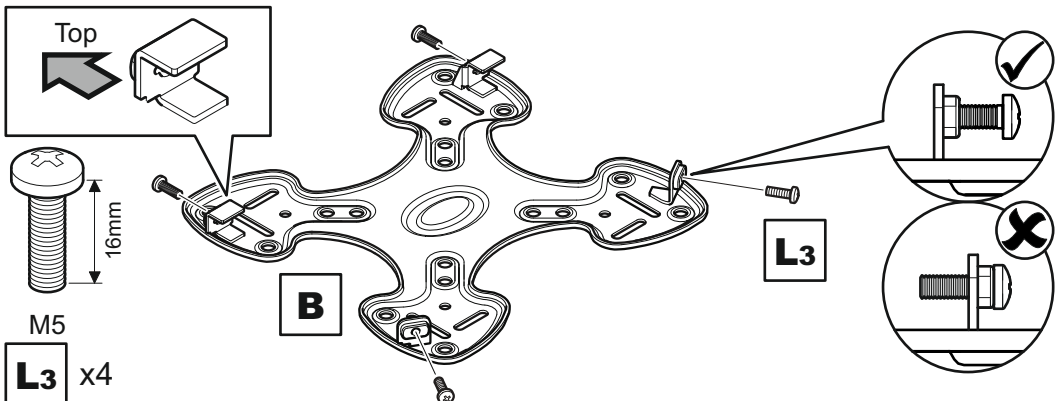
**M6 = L5-L7**

**M8 = L8-L10**



After completing step 4 you will have fittings left over, please keep for future reference

# 2 Preparing the Front Adaptor Plate



# 3

## Preparing the TV Mounting Plate

Use the option that fits your TV. Do not fully tighten

### OPTION 1

- 75mm     75mm
- 100mm     100mm
- 200mm     100mm
- 200mm     200mm

### OPTION 2

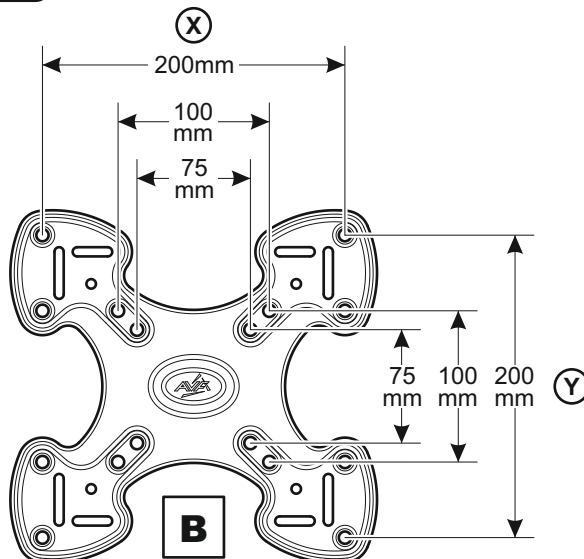
- 300mm     100mm
- 300mm     200mm
- 300mm     300mm
- 400mm     100mm
- 400mm     200mm
- 400mm     300mm
- 400mm     400mm
- 75-400mm     75-400mm

### OPTION 3

- 600mm     100mm
- 600mm     200mm
- 600mm     300mm
- 600mm     400mm
- 400-600mm     75-400mm
- 630mm     310mm
- 650mm     320mm
- 660mm     320mm

If in any doubt please call the customer help line.

### OPTION 1

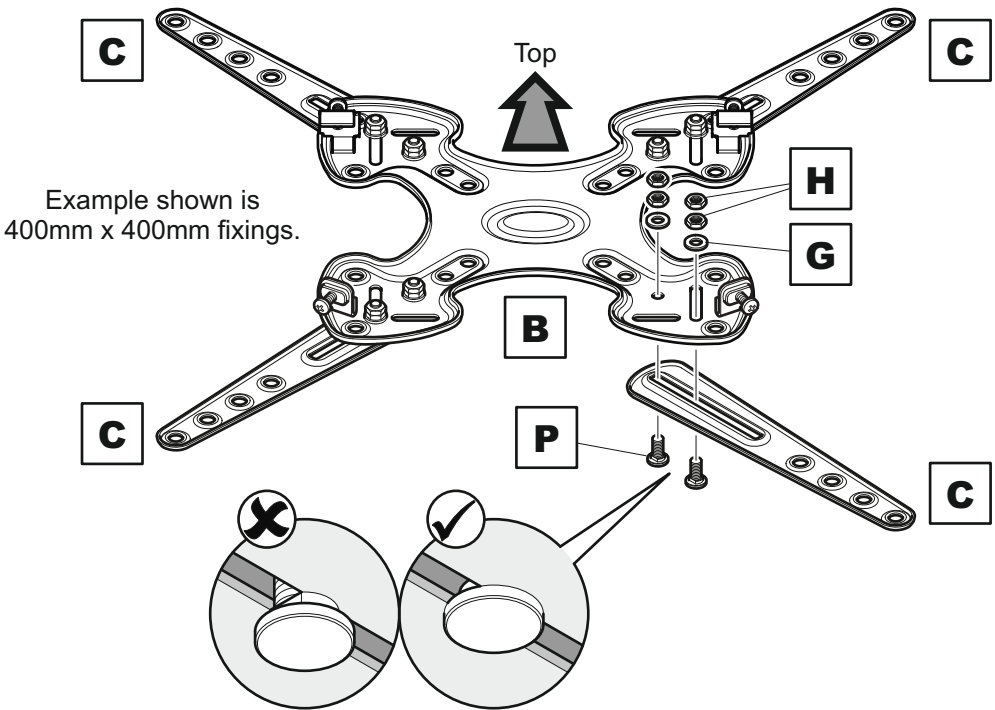
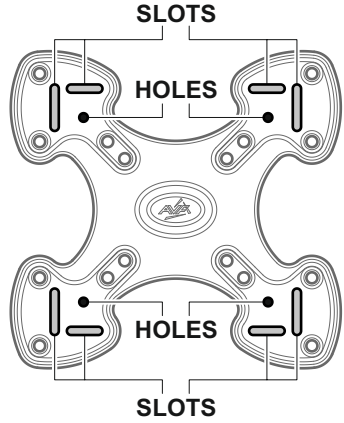


If your TV fixing holes match any of the sizes shown above you will not need to use any adaptors. Please go to step 4.

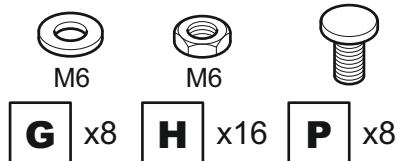
OPTION 2



When attaching adaptors **C** you must always use **HOLES** x4 and either of the **SLOTS**.

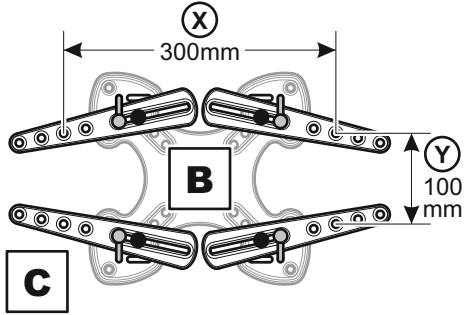
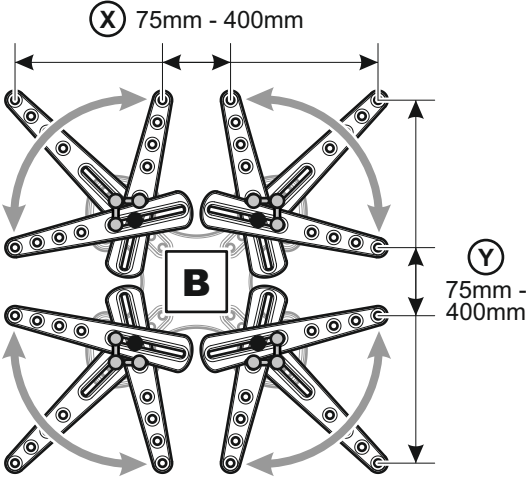


Example shown is 400mm x 400mm fixings.



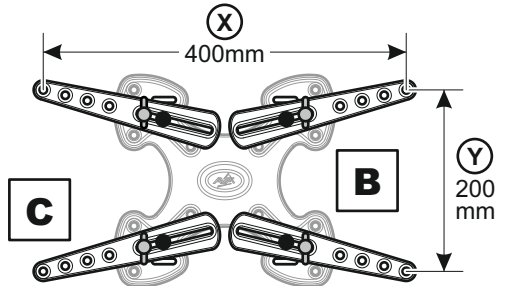
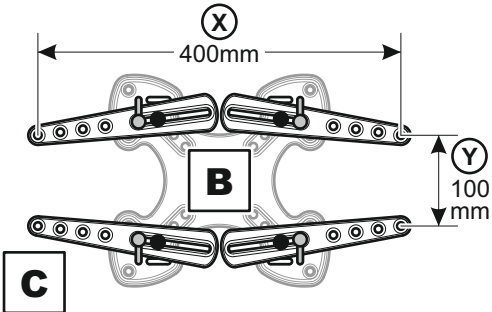
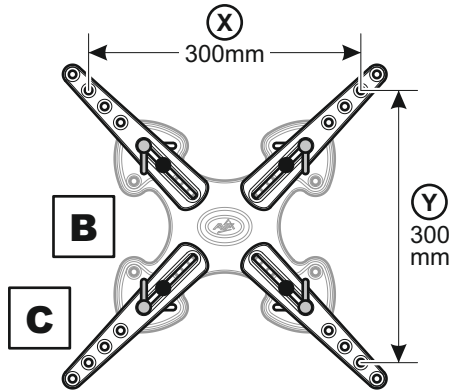
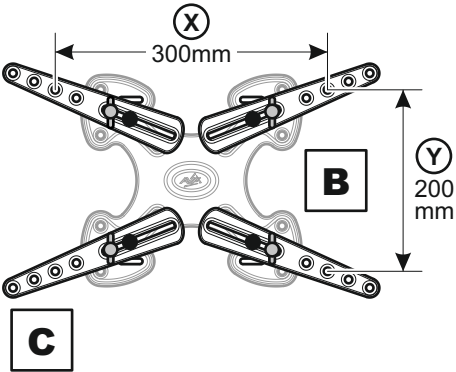


● = HOLES  
○ = SLOTS

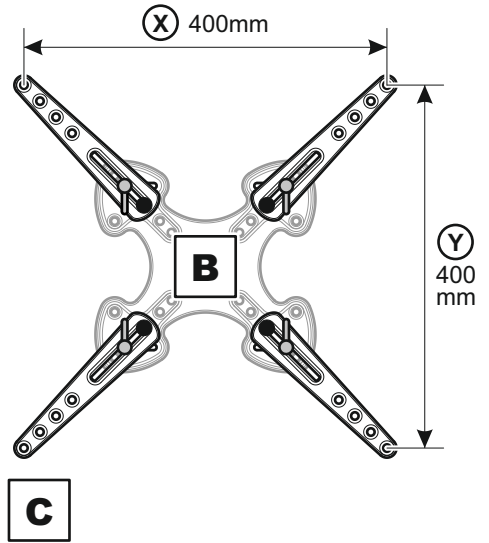
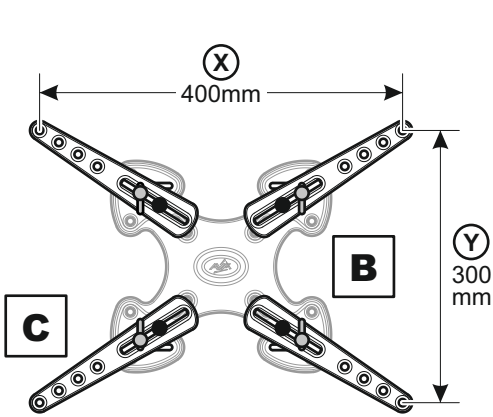


**C**

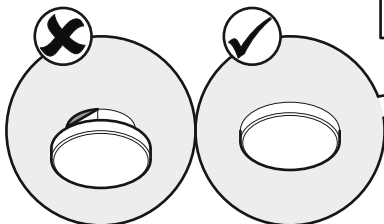
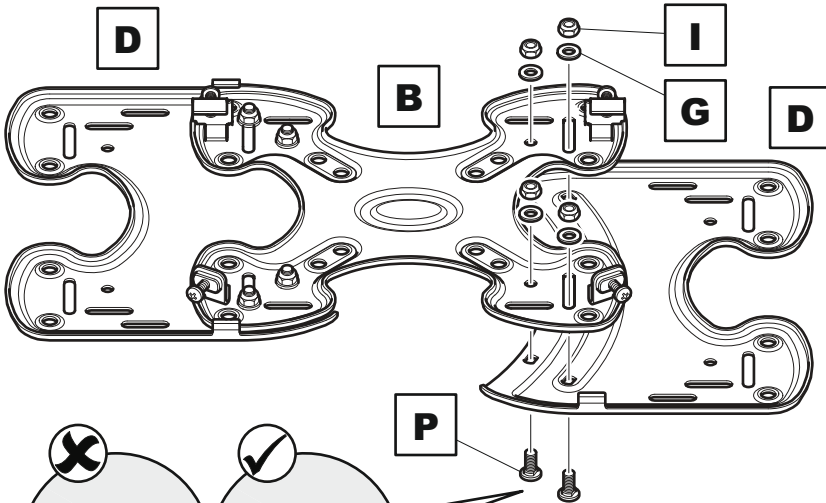
Adaptors **C** can be fixed in different positions in the slots on Plate **B** to match your TV fixing holes.






● = HOLES  
○ = SLOTS



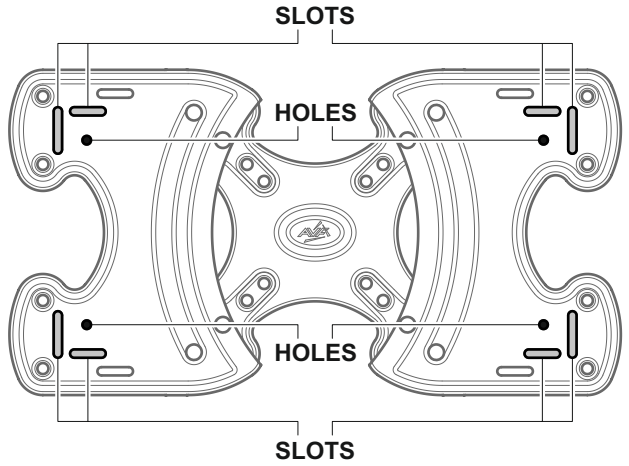
OPTION 3



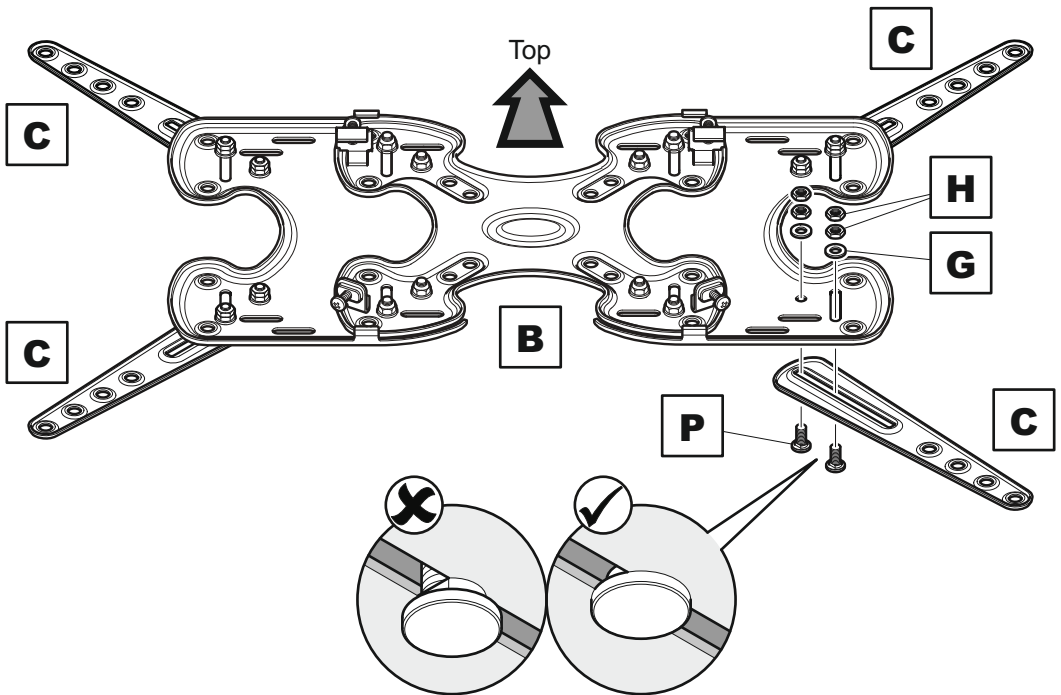
-   
 M6  
**G** x8
-   
 M6  
**I** x8
-   
**P** x8



When attaching adaptors **C** you must always use **HOLES x4** and either of the **SLOTS**.



Example shown is 600mm x 400mm fixings.



M6



M6



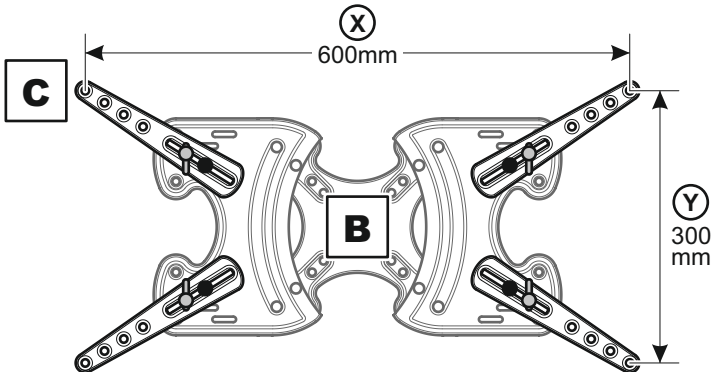
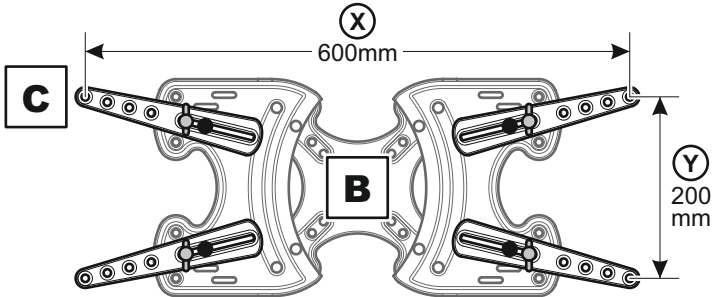
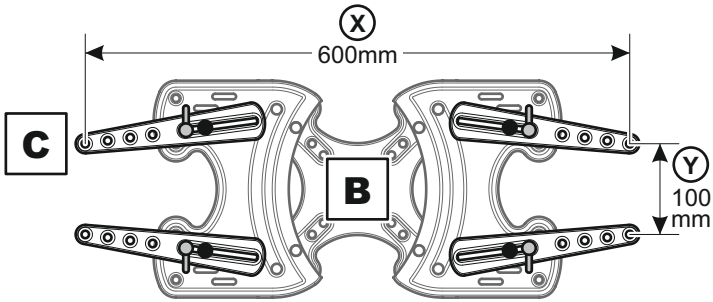
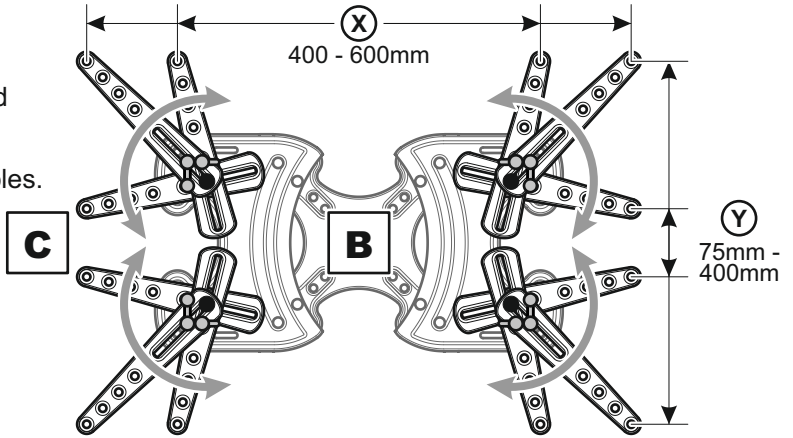
**G** x8

**H** x16

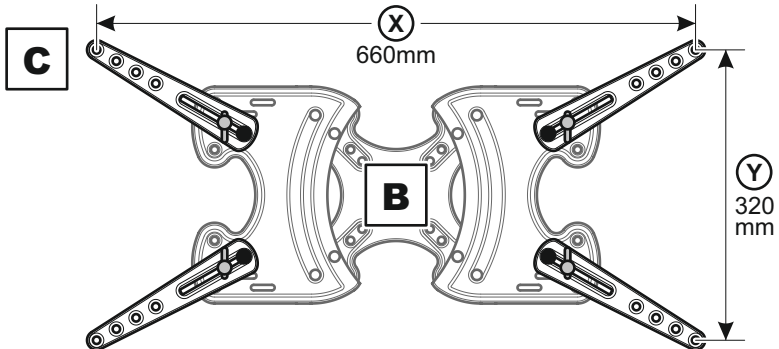
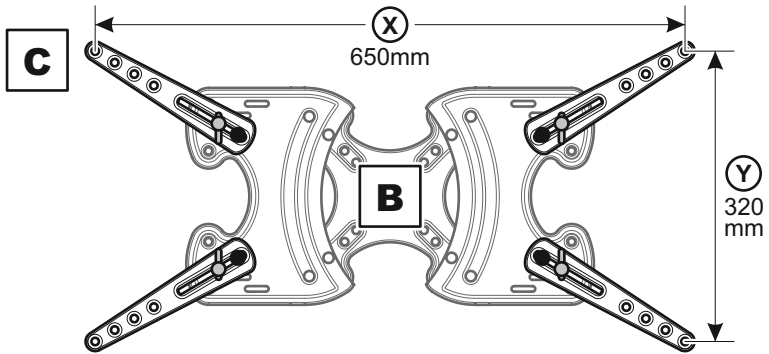
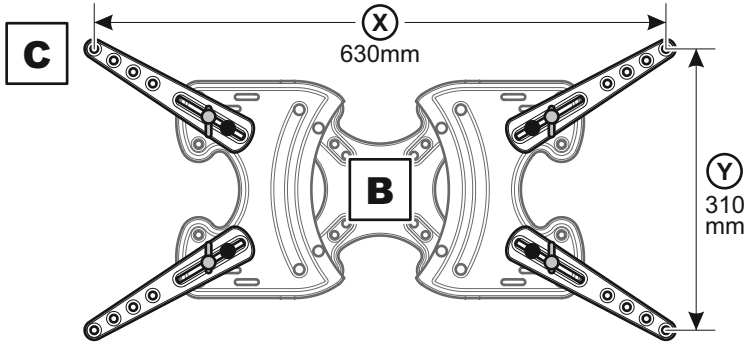
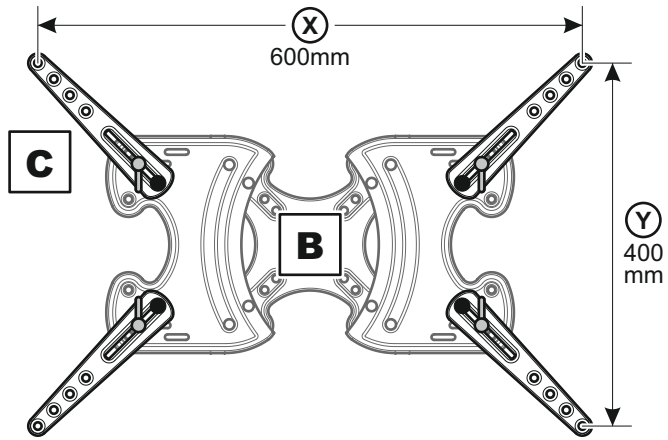
**P** x8

● = HOLES  
○ = SLOTS

Adaptors **C** can be fixed in different positions in the slots on Plate **B** to match your TV fixing holes.



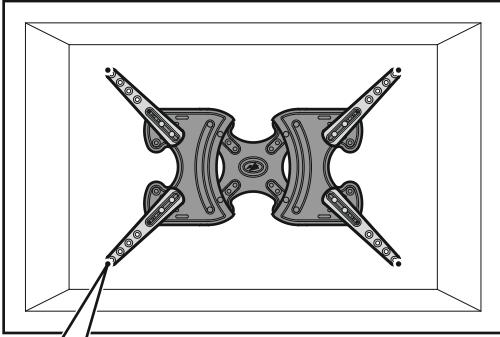
● = HOLES  
○ = SLOTS



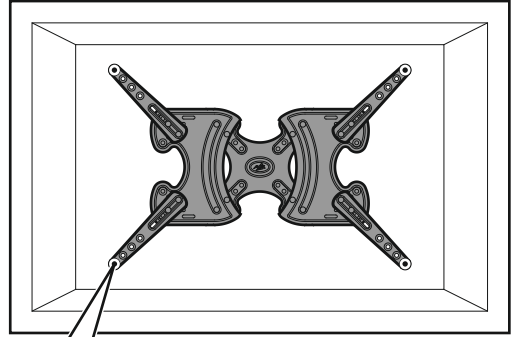
# 4

## Fitting the TV Mounting Plate

Before you fully tighten the TV mounting plate please check that the mounting plate holes line up with the fixing holes on the back of your TV.



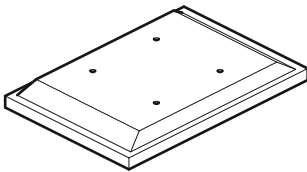
Holes do not line up and small adjustment is required before you fully tighten



Holes line up and no adjustment is required before you fully tighten

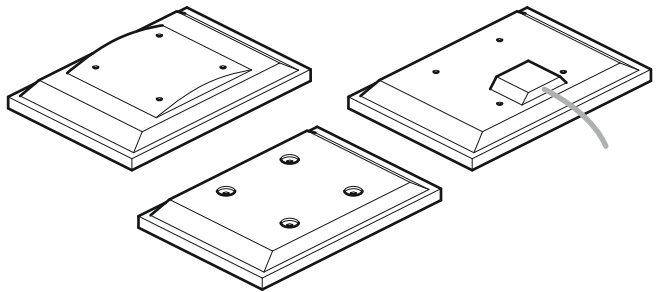
### No Spacers

For TVs with flat/  
unobstructed back

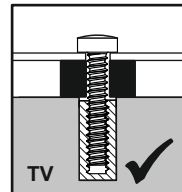
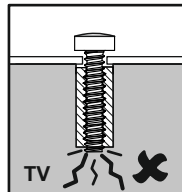
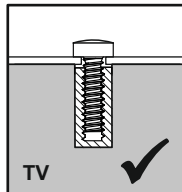
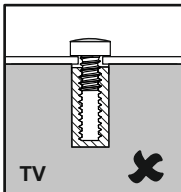


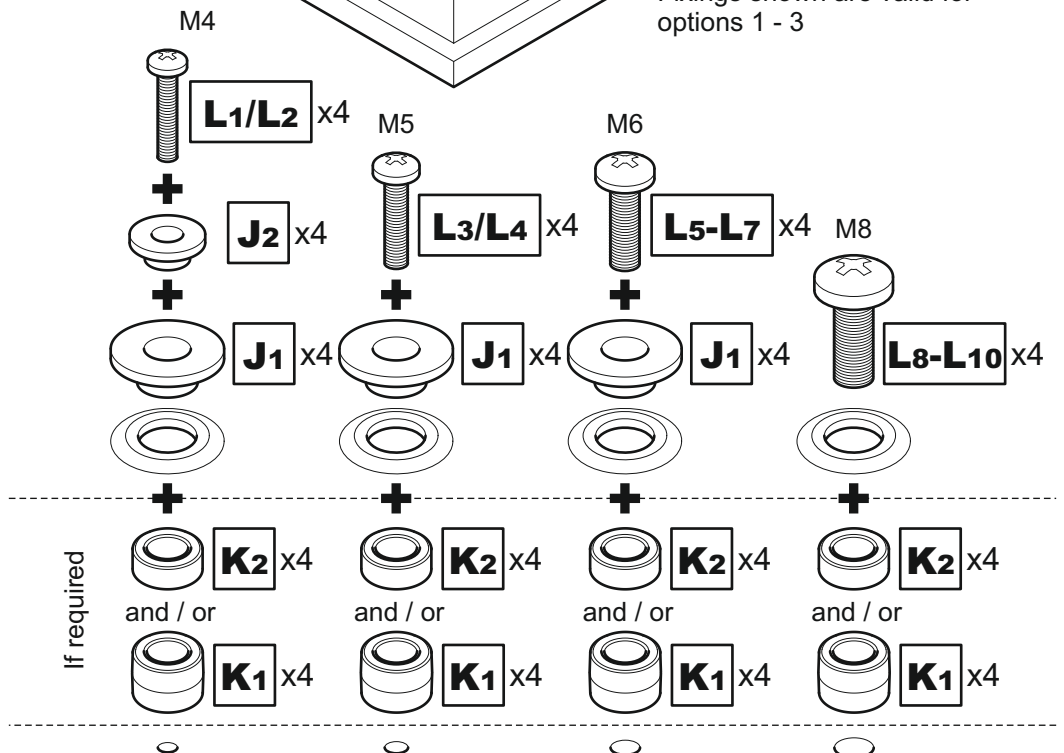
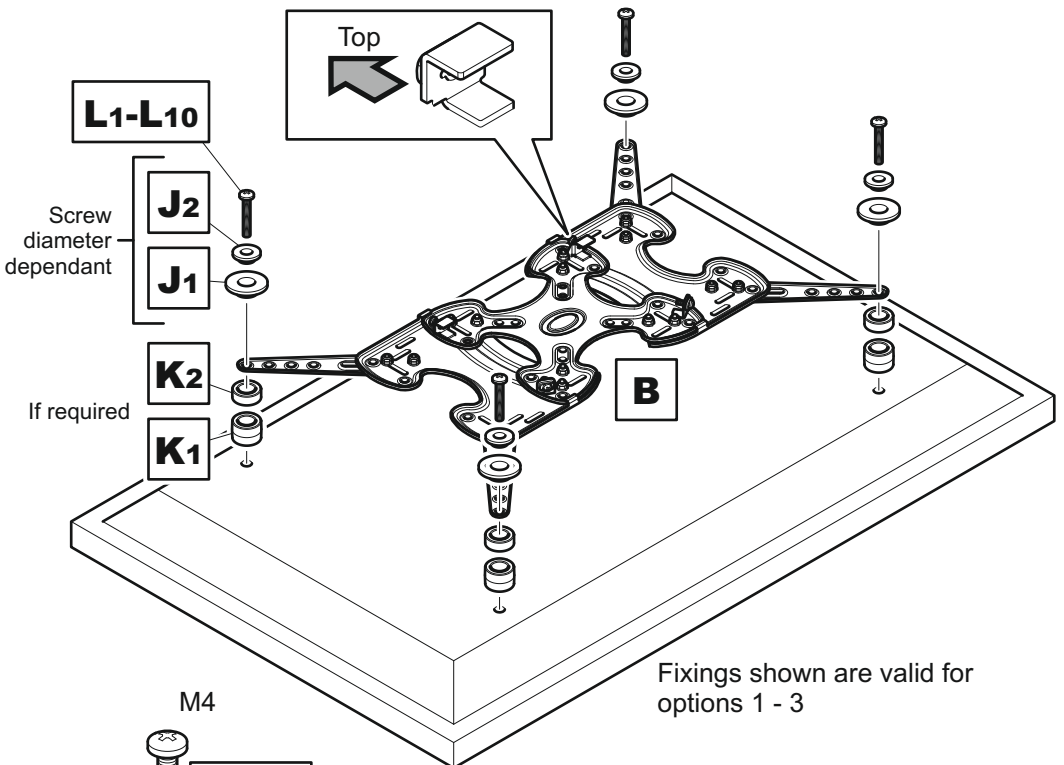
### Spacers **K1/K2**

For TVs with irregular/obstructed back



### WARNING

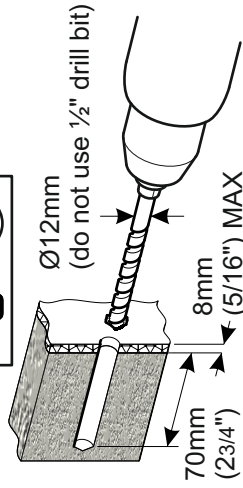
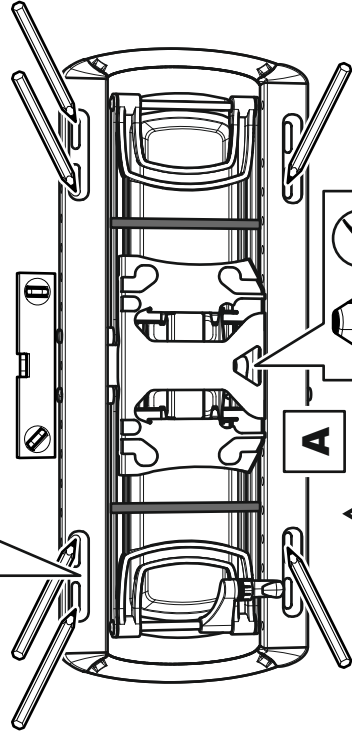
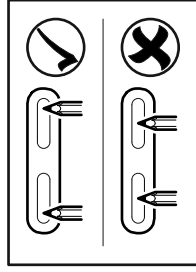




Attach the bracket to the back of your TV using suitable screw, reducer and spacer combinations.

# 5 Fitting the Wall Bracket

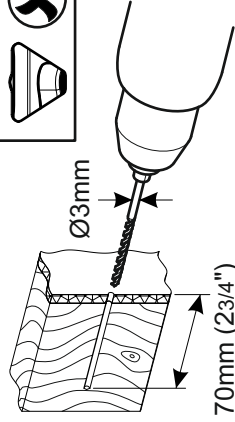
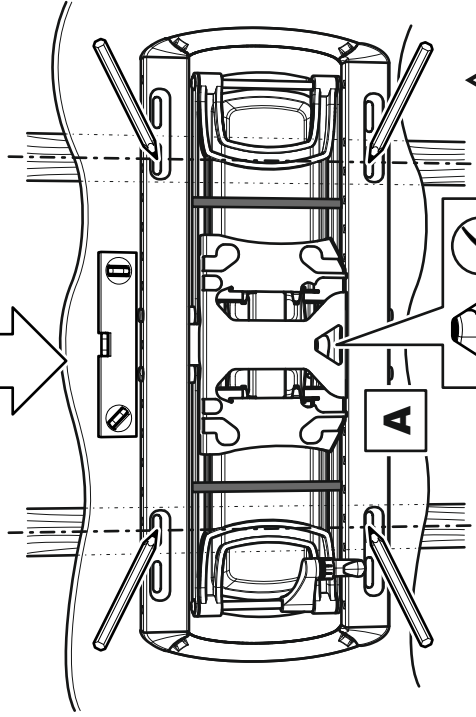
Solid Wall



Remove dust from hole



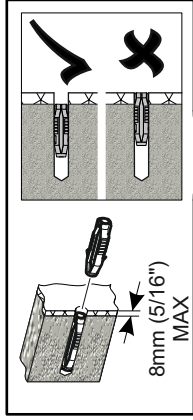
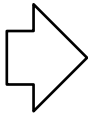
Wood Stud



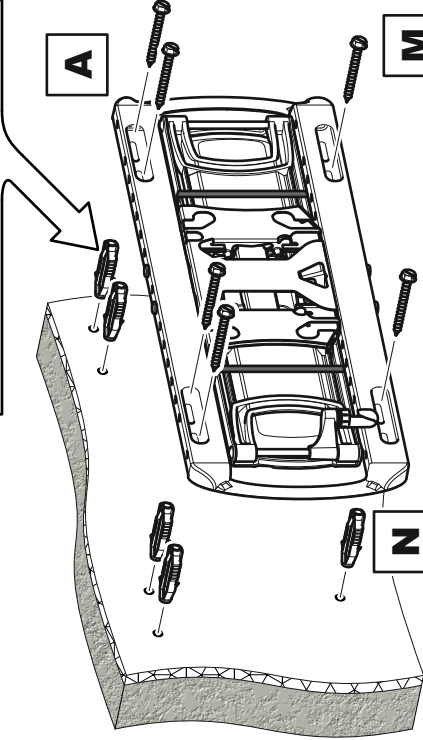
Ensure bracket is in the centre of the wood stud







8mm (5/16")  
MAX



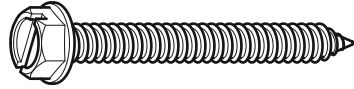
**A**

**M**

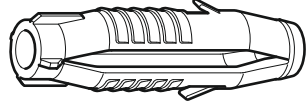
**N**



Lubricate screw  
thread with soap

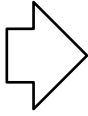


**M** x6

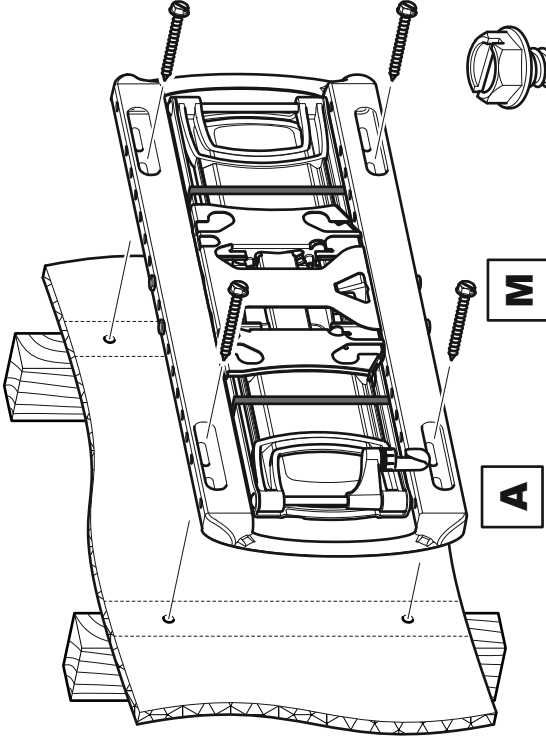


**N** x6

**DO NOT** over tighten screws  
Tighten screws by hand only

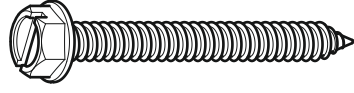


Lubricate screw  
thread with soap



**A**

**M**

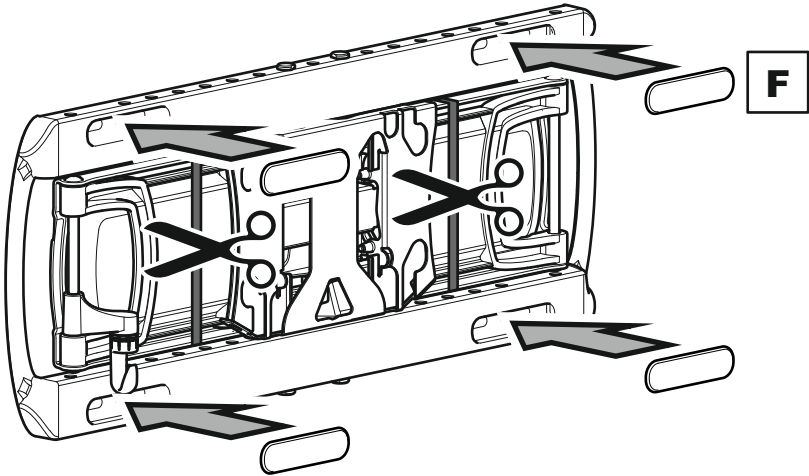


**M** x4

**DO NOT** over tighten screws  
Tighten screws by hand only

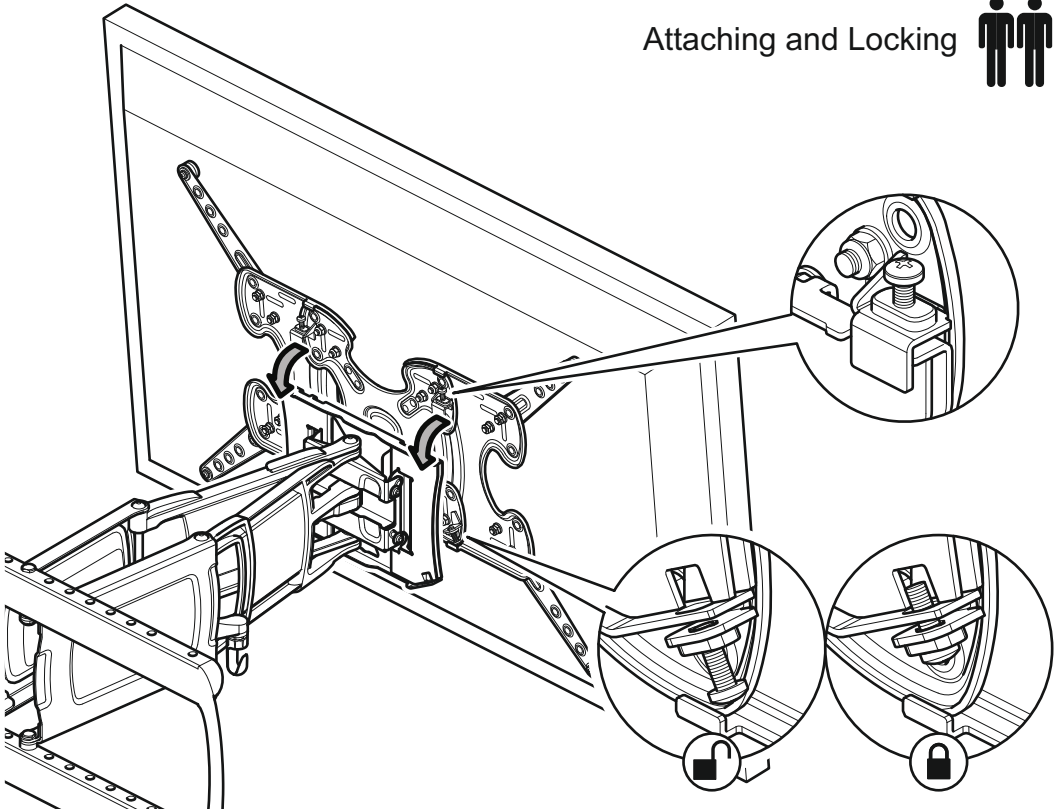


## 6 Fitting the Wall Bracket Covers



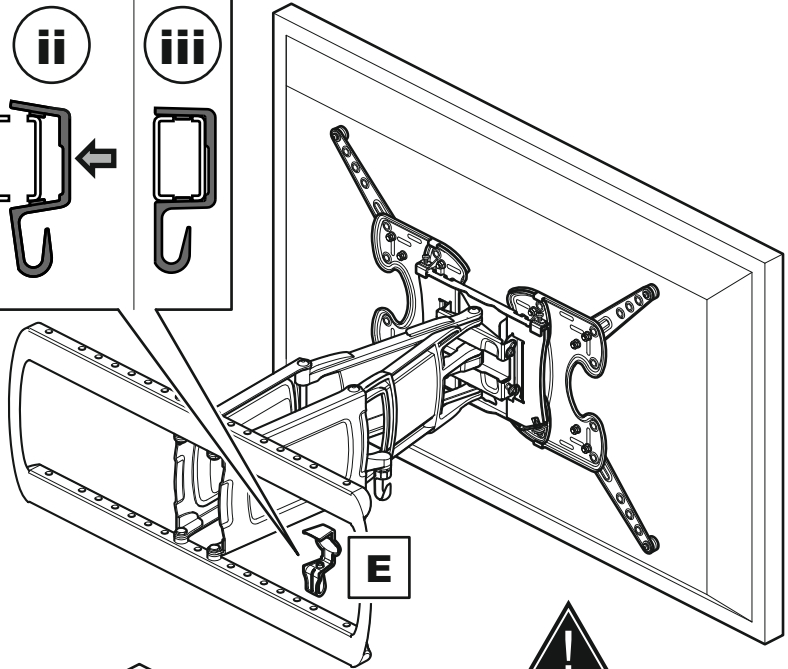
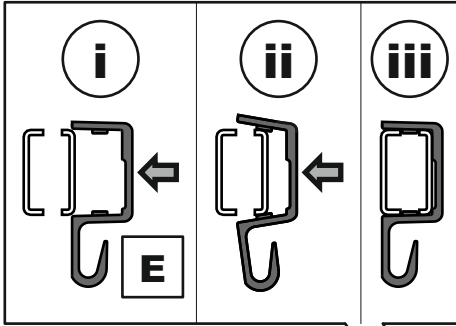
## 7 Connecting the TV

Attaching and Locking

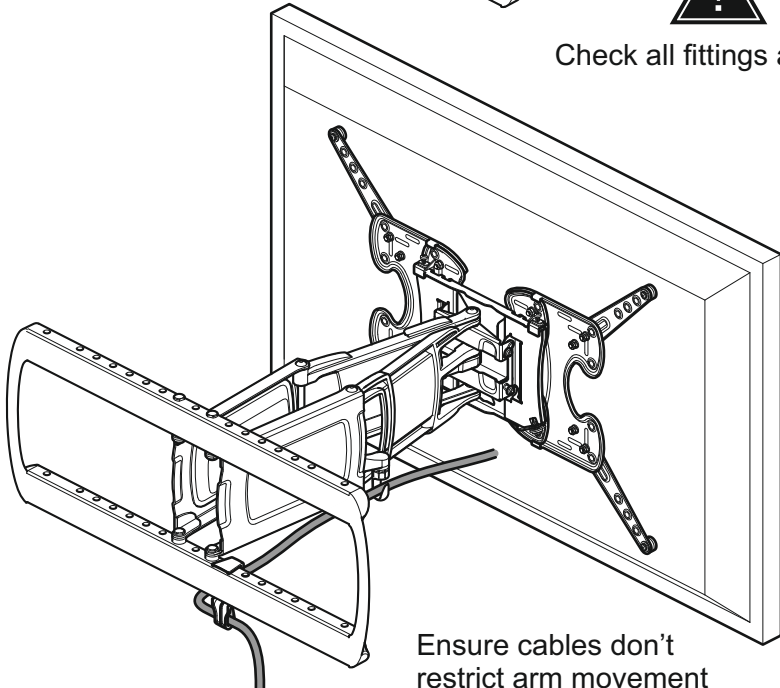


# 8

## Cable Management



Check all fittings are tight

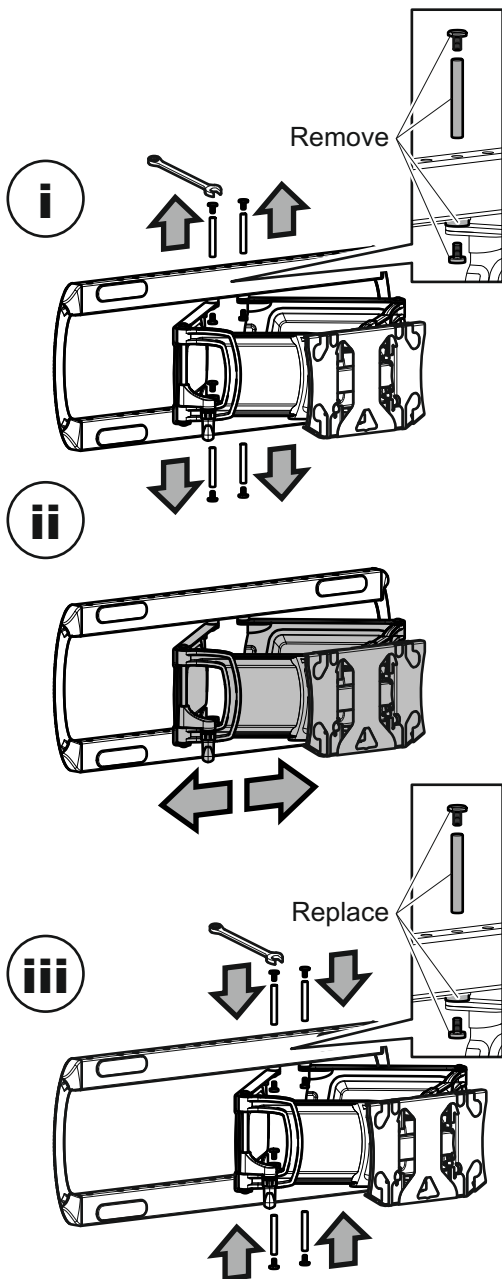


Ensure cables don't restrict arm movement

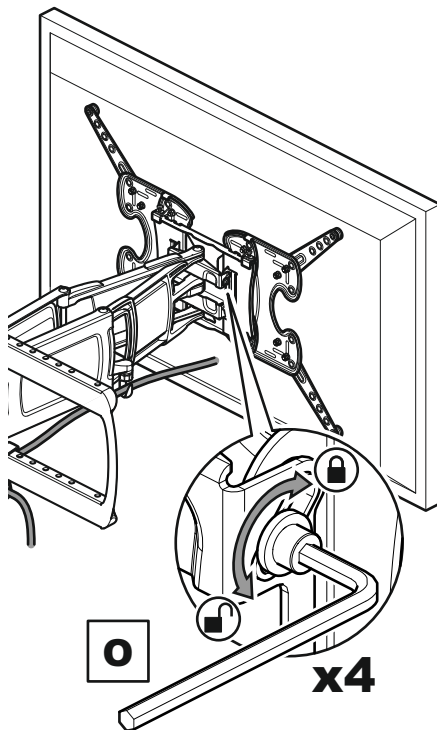
## Optional Lateral Shift



WOOD STUD ONLY



## Optional Lock tilt



## Optional TV Levelling

