

*Read through ALL instructions before commencing installation.
If you have any questions about this product or issues with installation contact
the customer services help line before returning this product to the store.
See www.avfgroup.com/unimax for instruction video.*

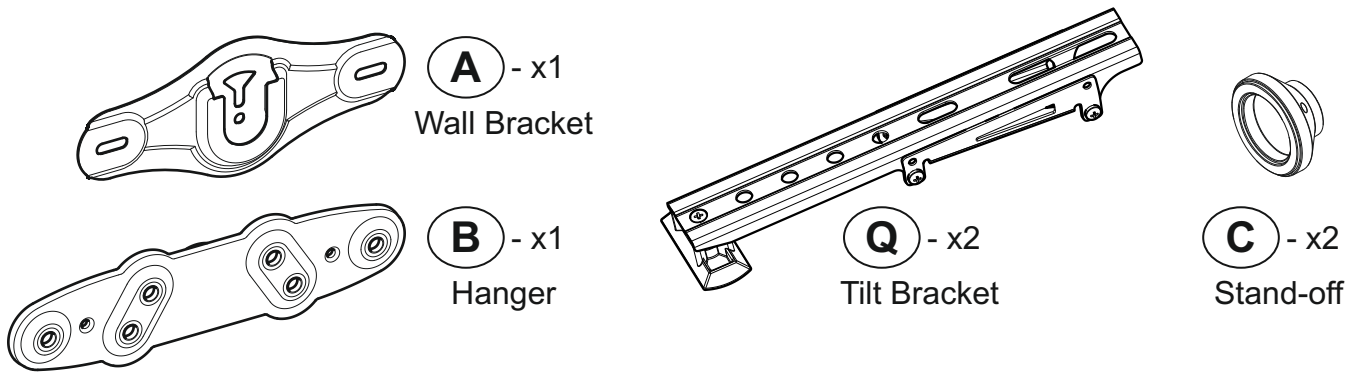
**CUSTOMER SERVICES HELP LINE NUMBER:
+44 (0) 333 320 0463 (UK)
1-800 667 0808 (USA)**



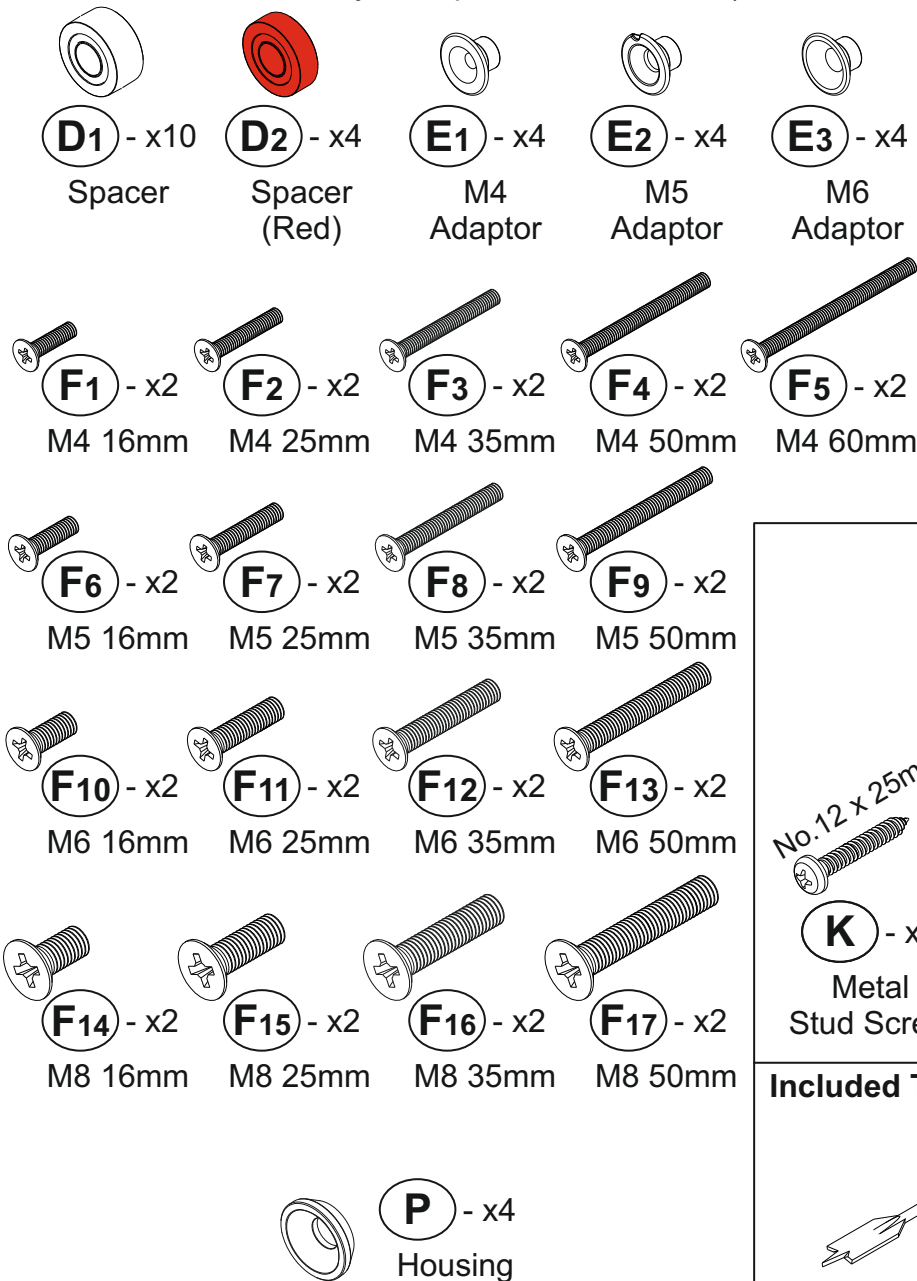
AVF Group Ltd. Hortonwood 30, Telford, Shropshire, TF1 7YE, England
AVF Group, Inc. 2775 Broadway, Cheektowaga, Buffalo, New York, 14227 USA
www.avfgroup.com

1 Boxed Parts

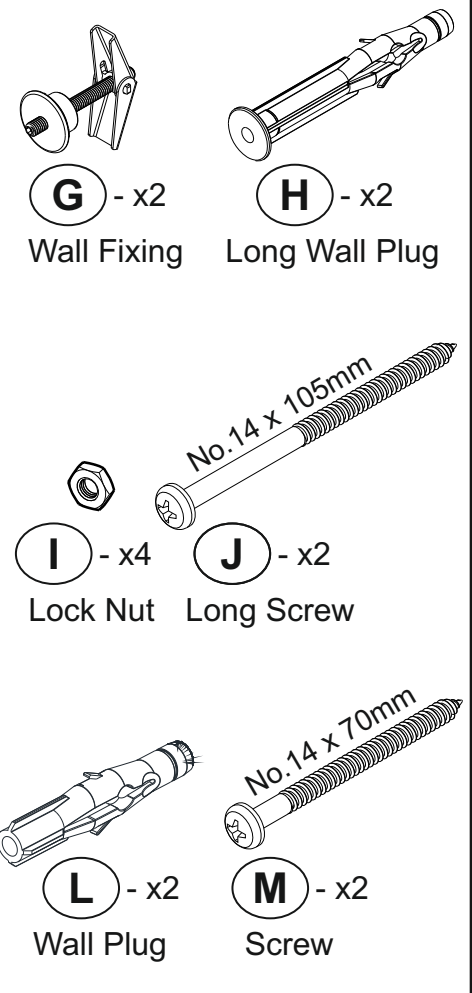
You will not need all these parts, so expect there to be some left over depending upon the specification of your TV.



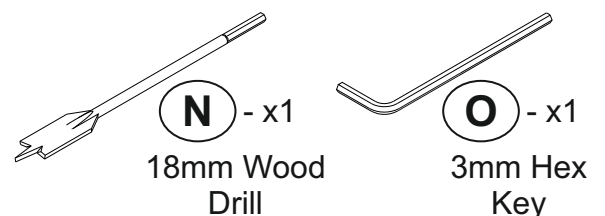
TV Fixings: Parts go on the back of the TV (specification of your TV will determine which ones you require - see section 9).



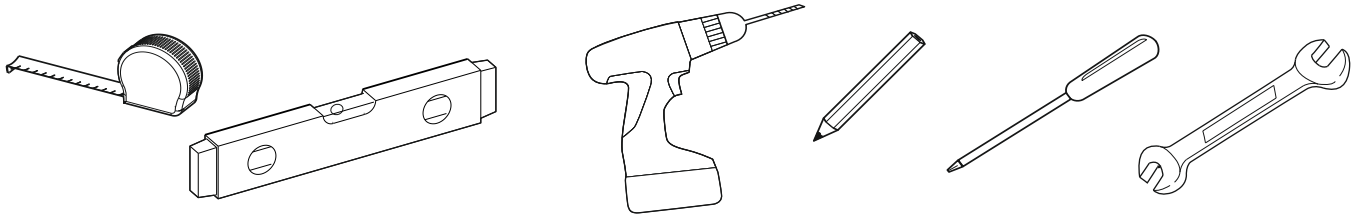
Wall Fixings: Parts to attach to the wall (type of wall will determine which fixings you require).



Included Tools

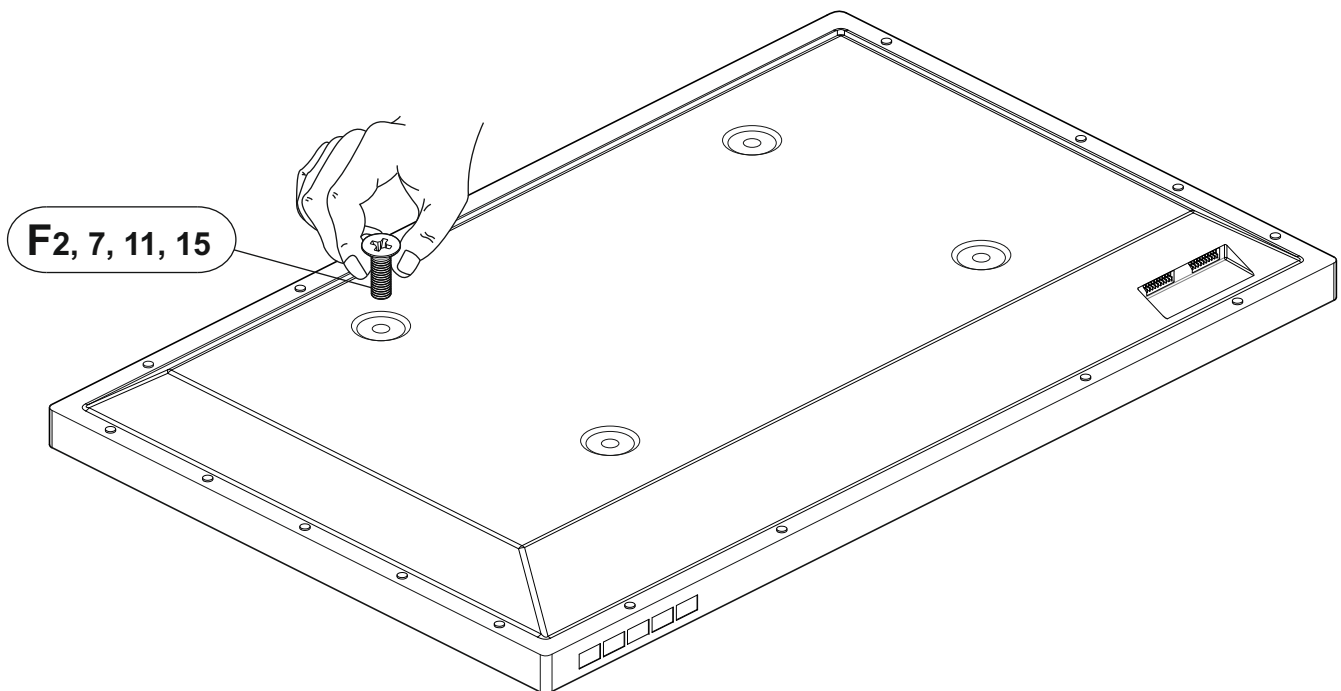


2 Tools Required



3 Determine Correct TV Screw Size

Choose from the TV Fixings selection. You need to determine which length and diameter of screws fits your TV. To determine the correct screw diameter, try screwing (F2), (F7), (F11) & (F15) into one of the fixing holes on the back of the screen until you find the one that fits. Note the thread size and ensure you use the appropriate diameter screws.



Flat or Tilt?

Before you start please choose if you would like your TV to be either Flat to Wall or in a Tilt position.

Flat to Wall

Follow steps 4 to 9

Tilt Position

Follow steps 10 to 17

Flat Position

You will only need to follow steps 4 to 9 if you have chosen to have your TV in a flat position

4 Fit Screen Hangers To TV

Once you have established which screws you need for your TV you can attach the Hanger (B) and Stand-offs (C) to the back of your TV.

Typical recommended examples shown are for fixings with the TV spaced 20mm from the wall. The TV Mount can position your TV between 20mm and 40mm from the wall. For alternative configurations see sections 9.

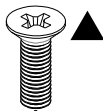
You might need to use spacers to increase the clearance of your TV from the wall in order to avoid cables coming out of your TV and improve access and ventilation to the back of your TV (spacers (D1) allow you to have a gap of 30mm or 40mm, see section 9).

In certain circumstances it may be necessary to use red spacer (D2) as either a replacement or addition to spacer (D1). For more information please see section 9.

If your TV fixing centres don't fit, STOP installation and contact the customer services helpline.

Top Fixings

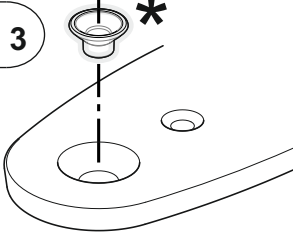
F1, 6, 10, 14



E1, 2, 3



B



*

Use adaptor (E1) with screws (F1) & (F2)

Use adaptor (E2) with screws (F6) & (F7)

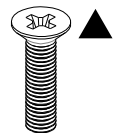
Use adaptor (E3) with screws (F10) & (F11)

No adaptor required with screws (F14) & (F15)

TV must be parallel to wall.
Use spacers / stand-offs as shown.

Bottom Fixings

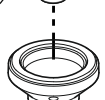
F2, 7, 11, 15



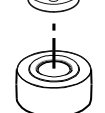
E1, 2, 3



C



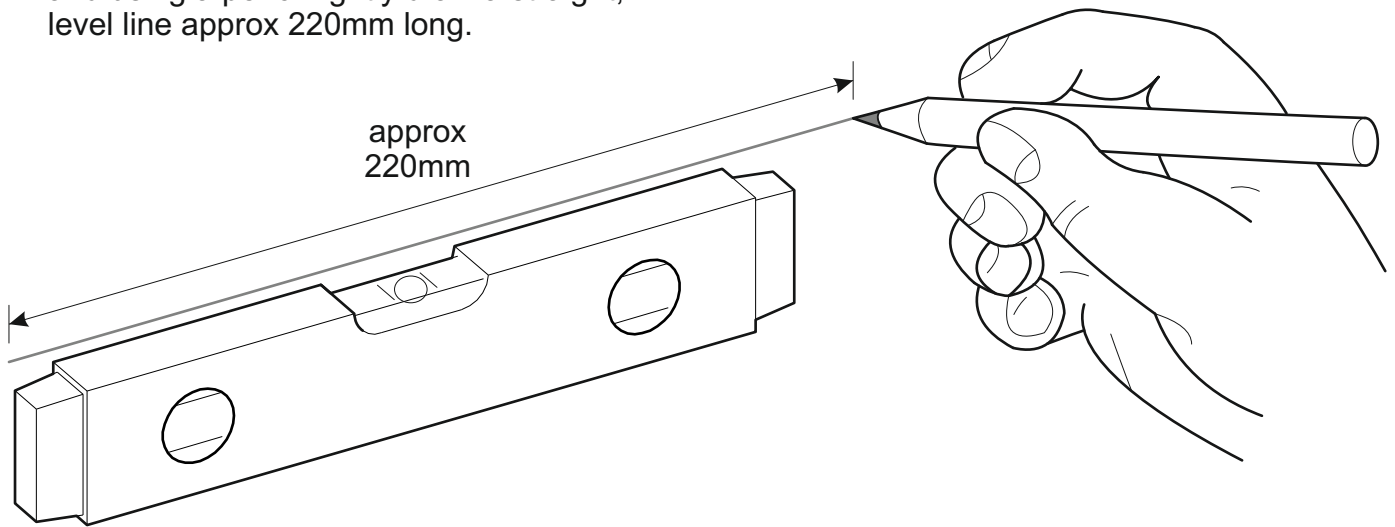
D1



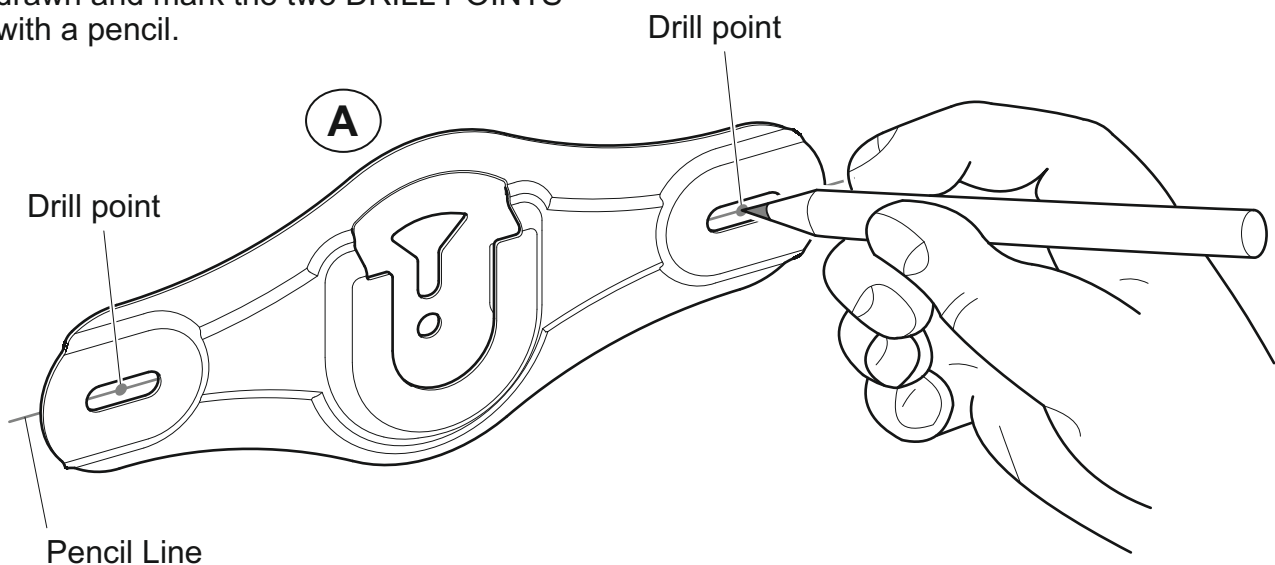
▲ If you use screw F1 for top fixing you must use screw F2 for bottom fixing
If you use screw F6 for top fixing you must use screw F7 for bottom fixing
If you use screw F10 for top fixing you must use screw F11 for bottom fixing
If you use screw F14 for top fixing you must use screw F15 for bottom fixing

5 Marking Wall For Drill Points

Decide the position of your wall bracket and using a pencil lightly draw a straight, level line approx 220mm long.



Use the Wall Bracket (A) as a template and position it on your wall. Ensure the bracket lines up with the line you have previously drawn and mark the two DRILL POINTS with a pencil.

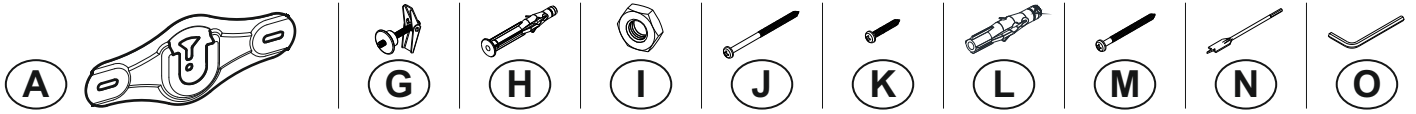


6 Planning & Preparation

Determine the wall type that you have (i.e. Brick/Stud/Plasterboard/Sheetrock).
Ensure the drilling area is free from mains services (Gas/Electric/Water).
Drill two 3mm diameter pilot holes to verify the wall type and select the appropriate fixings (See Section 7).

7 Install Wall Fixings

Use the correct fixings for your wall type. Mixing fixing types may be required for installations that span different wall types. **DO NOT OVER TIGHTEN SCREWS.**



Solid Wall

Concrete

75mm (3")

Remove dust from holes

Ø10mm (25/64")

L

A

M

Lubricate screw thread with soap

Dot & Dab

108mm (4 1/4")

40mm Max (1 9/16") *

Ø10mm (25/64")

H

A

J

Lubricate screw thread with soap

* If gap is above 40mm (1 9/16") use Plasterboard / Sheetrock fixing method

Plasterboard / Sheetrock

Ø18mm (3/4")

N

G

O

Turn until secure
Do not over tighten

A

I

40mm (1 9/16") Min gap

Wood Stud

Ø3mm (1/8")

Use Plasterboard / Sheetrock fixings

Lubricate screw thread with soap

A

M

Use Plasterboard / Sheetrock fixings

Only one fixing will be in the wood stud. The other fixings will be in plasterboard / sheetrock (see above).

Metal Stud

Ø3.5mm (9/64")

Use Plasterboard / Sheetrock fixings

Hand tighten only

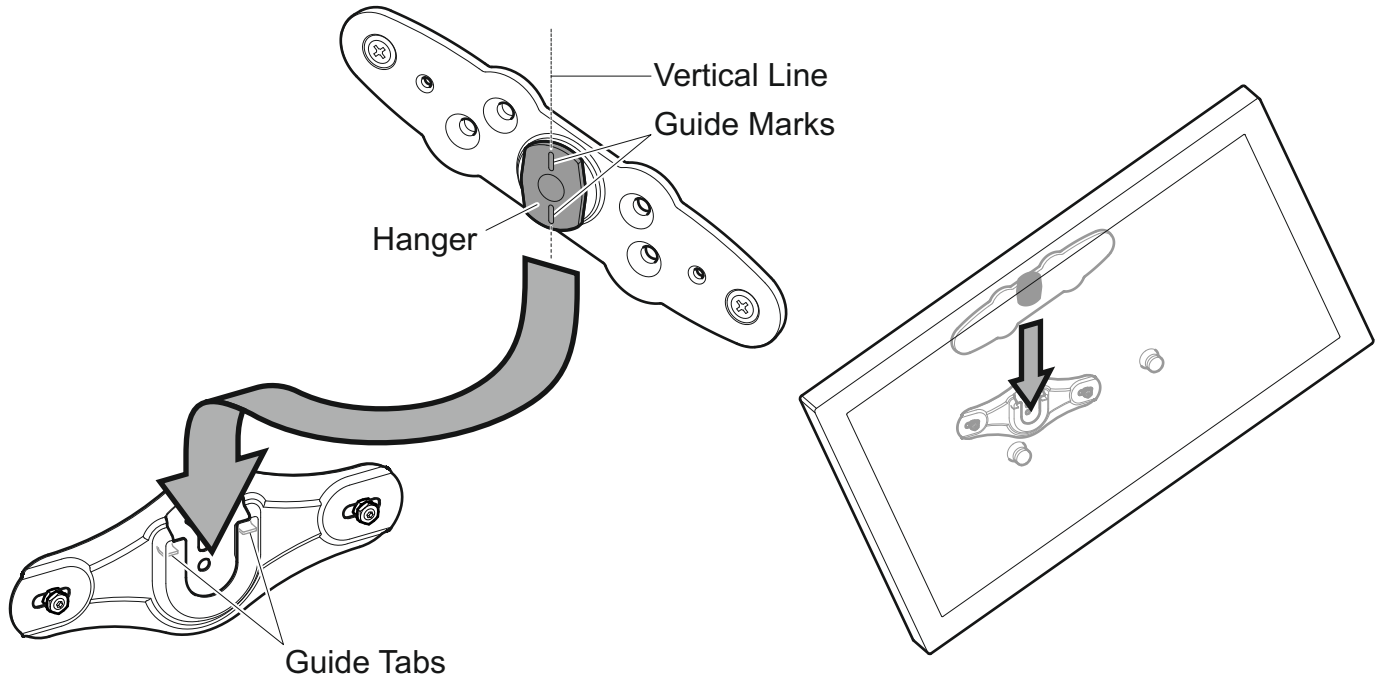
A

K

Use Plasterboard / Sheetrock fixings

Only one fixing will be in the metal stud. The other fixings will be in plasterboard / sheetrock (see above).

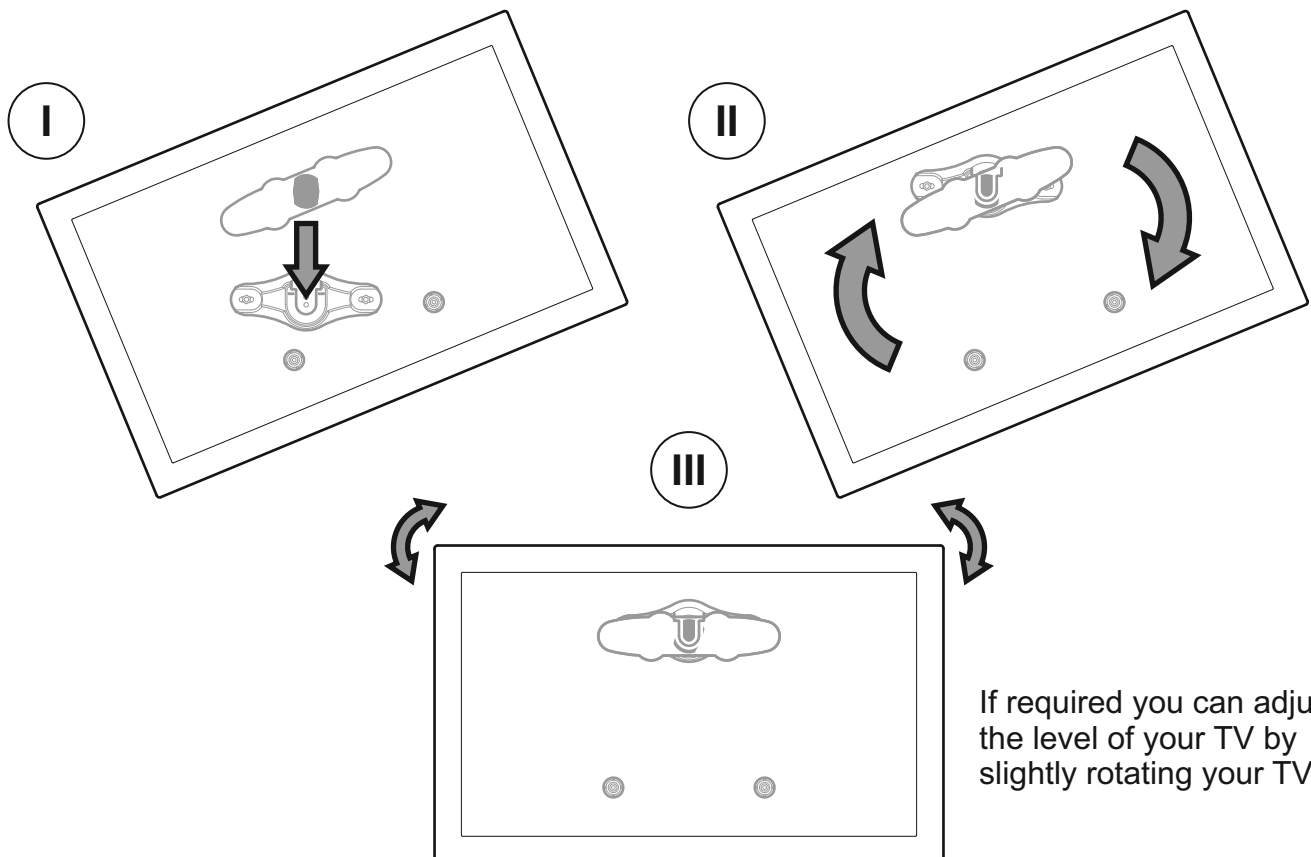
8 Hanging The TV



Rotate your TV so that the guide marks on the hanger are vertical. Next slide your TV down so that the hanger goes between the two guide tabs on the wall bracket. Ensure the hanger is fully engaged and rotate clockwise until your TV is level.

If cables from your TV prevent the TV resting against the wall then an alternative hanger configuration will be required (See Section 9).

TV must be parallel to wall. Use spacers / stand-offs as shown.



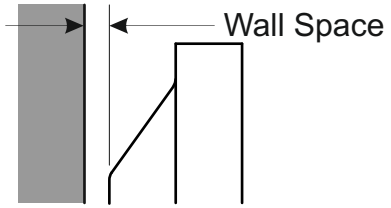
If required you can adjust the level of your TV by slightly rotating your TV.

Removing the TV

This is a two person job. To remove the TV rotate anti-clockwise between 15-30° and lift TV up and out (ie reverse the movements as shown above).

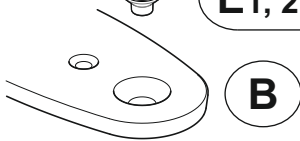
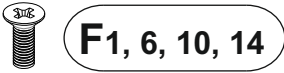
9 Alternative Hanger Configurations

Alternative Wall spacings of 20mm, 30mm & 40mm can be achieved using the spacer / screw combinations listed in this section.

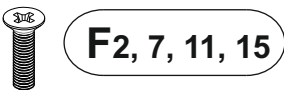


20mm Wall Space
(as shown in section 4)

Top Fixings

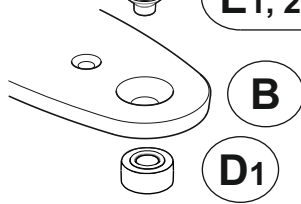
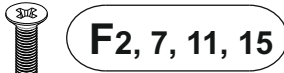


Bottom Fixings

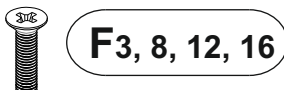


30mm Wall Space

Top Fixings

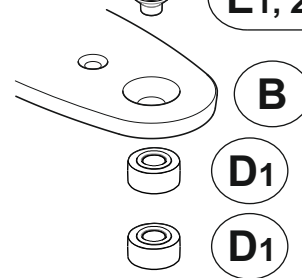
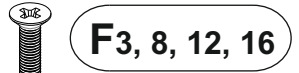


Bottom Fixings

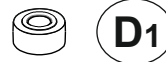
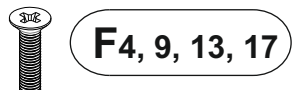


40mm Wall Space

Top Fixings



Bottom Fixings



TV must be parallel to wall. Use spacers / stand-offs as shown.

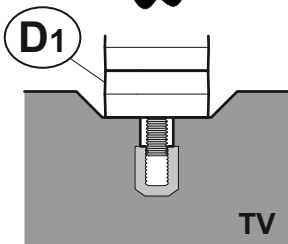
- Use adaptor (E1) with screws (F1), (F2), (F3), (F4) & (F5)
- Use adaptor (E2) with screws (F6), (F7), (F8) & (F9)
- * Use adaptor (E3) with screws (F10), (F11), (F12) & (F13)
- No adaptor required with screws (F14), (F15), (F16) & (F17)



When is it necessary to use red spacers?

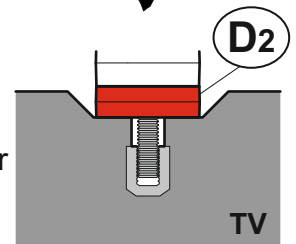


D2 - x4



Problem
Not enough
screw engagement

It is recommended that when fitting Hanger (B) and Stand-offs (C) to your TV you have at least 5-10mm of screw engagement. In certain circumstances you may need to use red spacers (D2) as either a replacement, or together with spacers (D1) to achieve this. Whenever you use red spacers (D2) you must use all 4 provided.



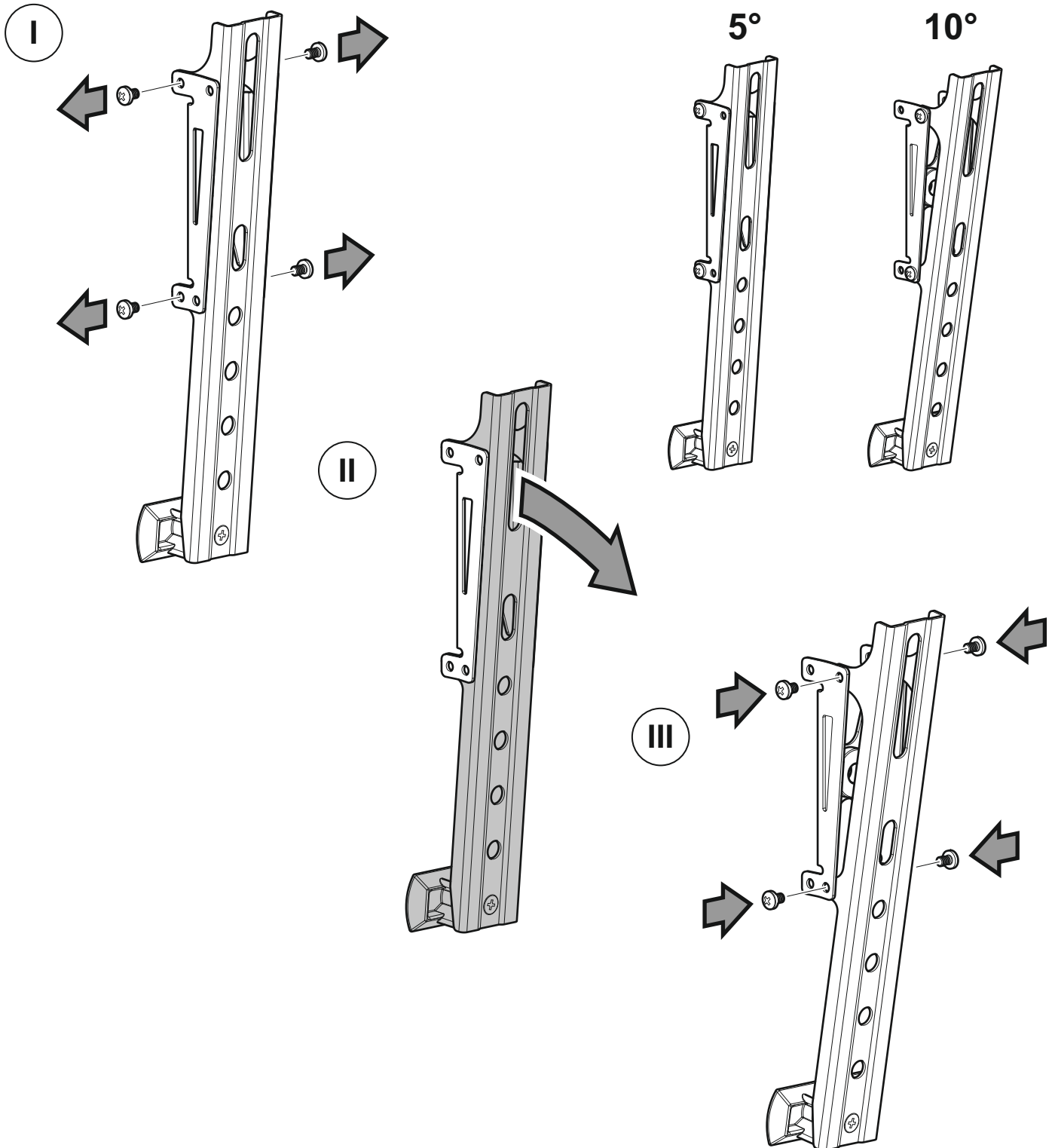
Solution
Red spacer (D2) has
replaced spacer (D1)

Tilt Position

You will only need to follow steps 10 to 17 if you have chosen to have your TV in a tilted position

10 Choose Tilt

Your bracket can be tilted in 2 different positions, either 5° or 10°. If you choose 5° tilt you will not need to do anything. If you choose 10° tilt you will need to remove screws as indicated, pull the tilt bracket forward and replace screws as indicated.



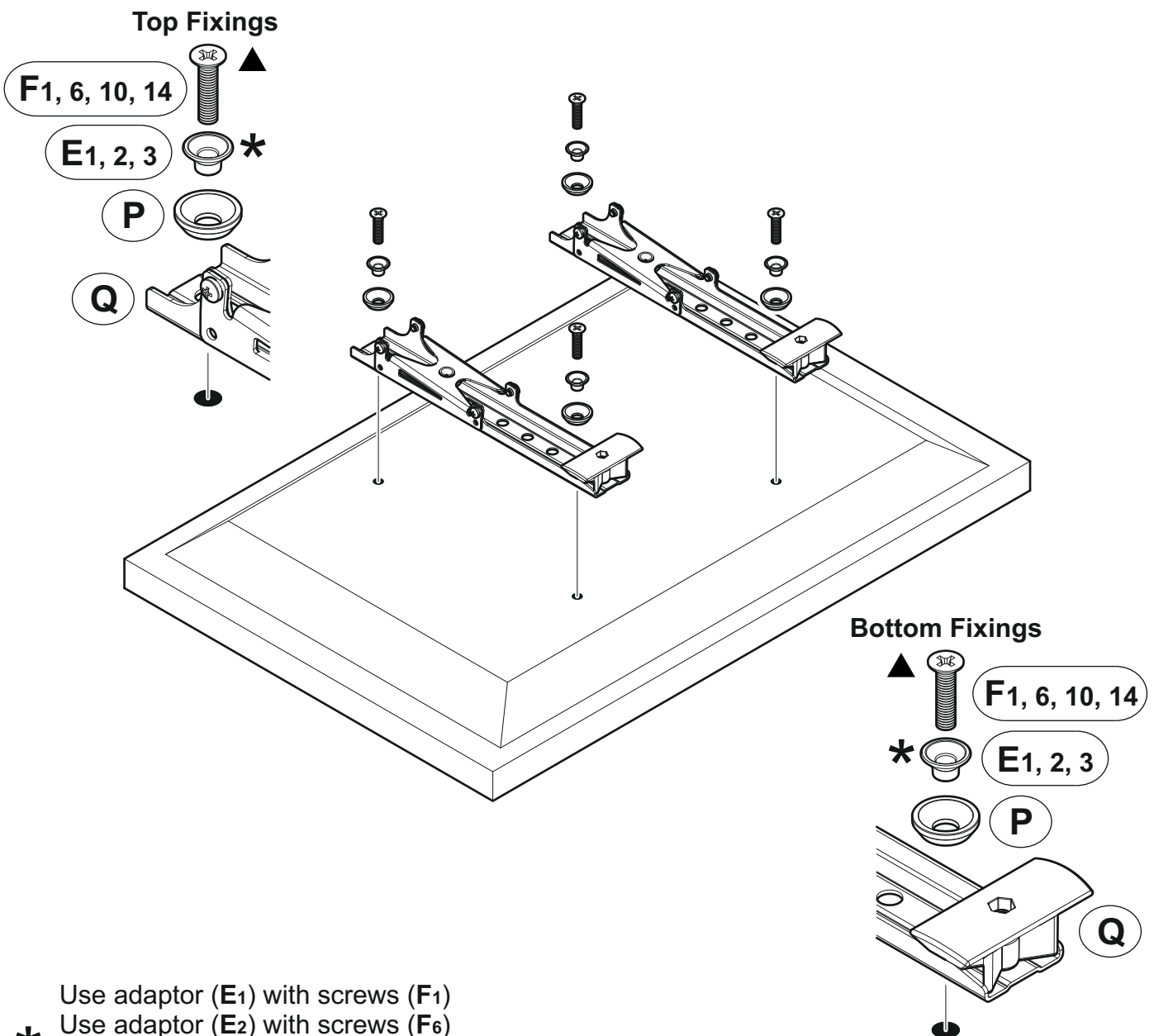
11 Fit Tilt Brackets to TV

Once you have established which screws you need for your TV you can attach Tilt brackets (Q) to the back of your TV.

Example shown below is only for TV's with a flat back. Should you require more space for cables and to improve access and ventilation to the back of your TV you will need to add spacers (D1), see section 17.

In certain circumstances it may be necessary to use red spacer (D2) in addition to the fixings below, for more information see section 17.

If your TV fixing centres don't fit, STOP installation and contact the customer services helpline.

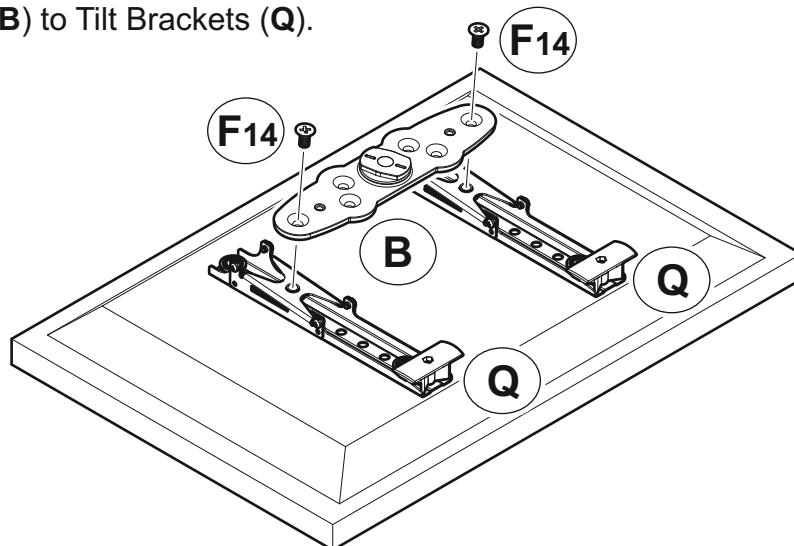


- * Use adaptor (E₁) with screws (F₁)
- Use adaptor (E₂) with screws (F₆)
- Use adaptor (E₃) with screws (F₁₀)
- No adaptor required with screws (F₁₄)

- ▲ If you use screw F₁ for top fixing you must use screw F₁ for bottom fixing
- If you use screw F₆ for top fixing you must use screw F₆ for bottom fixing
- If you use screw F₁₀ for top fixing you must use screw F₁₀ for bottom fixing
- If you use screw F₁₄ for top fixing you must use screw F₁₄ for bottom fixing

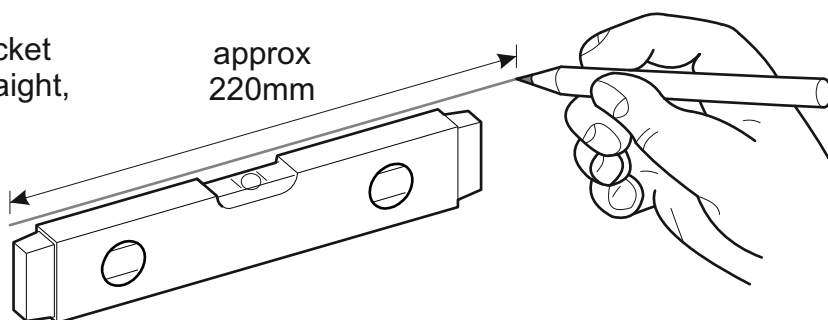
12 Fit Hanger to Tilt Brackets

Attach Hanger (B) to Tilt Brackets (Q).

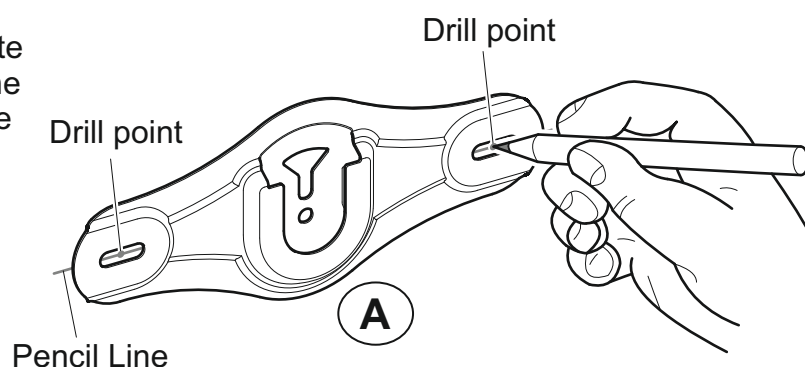


13 Marking Wall For Drill Points

Decide the position of your wall bracket and using a pencil lightly draw a straight, level line approx 220mm long.



Use the Wall Bracket (A) as a template and position it on your wall. Ensure the bracket lines up with the line you have previously drawn and mark the two DRILL POINTS with a pencil.



14 Planning & Preparation

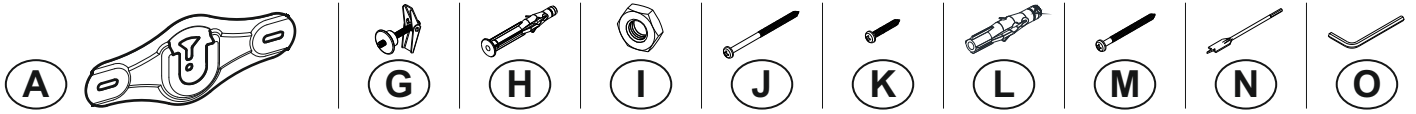
Determine the wall type that you have (i.e. Brick/Stud/Plasterboard/Sheetrock).

Ensure the drilling area is free from mains services (Gas/Electric/Water).

Drill two 3mm diameter pilot holes to verify the wall type and select the appropriate fixings (See Section 15).

15 Install Wall Fixings

Use the correct fixings for your wall type. Mixing fixing types may be required for installations that span different wall types. **DO NOT OVER TIGHTEN SCREWS.**



Solid Wall

Concrete

75mm (3")

Remove dust from holes

Ø10mm (25/64")

L

A

M

Lubricate screw thread with soap

Dot & Dab

108mm (4 1/4")

40mm Max (1 9/16") *

Ø10mm (25/64")

H

A

J

Remove dust from holes

* If gap is above 40mm (1 9/16") use Plasterboard / Sheetrock fixing method

Lubricate screw thread with soap

Plasterboard / Sheetrock

Ø18mm (3/4")

N

G

O

Turn until secure
Do not over tighten

A

I

40mm (1 9/16") Min gap

Wood Stud

Ø3mm (1/8")

Use Plasterboard / Sheetrock fixings

Lubricate screw thread with soap

A

M

Use Plasterboard / Sheetrock fixings

Only one fixing will be in the wood stud. The other fixings will be in plasterboard / sheetrock (see above).

Metal Stud

Ø3.5mm (9/64")

Use Plasterboard / Sheetrock fixings

Hand tighten only

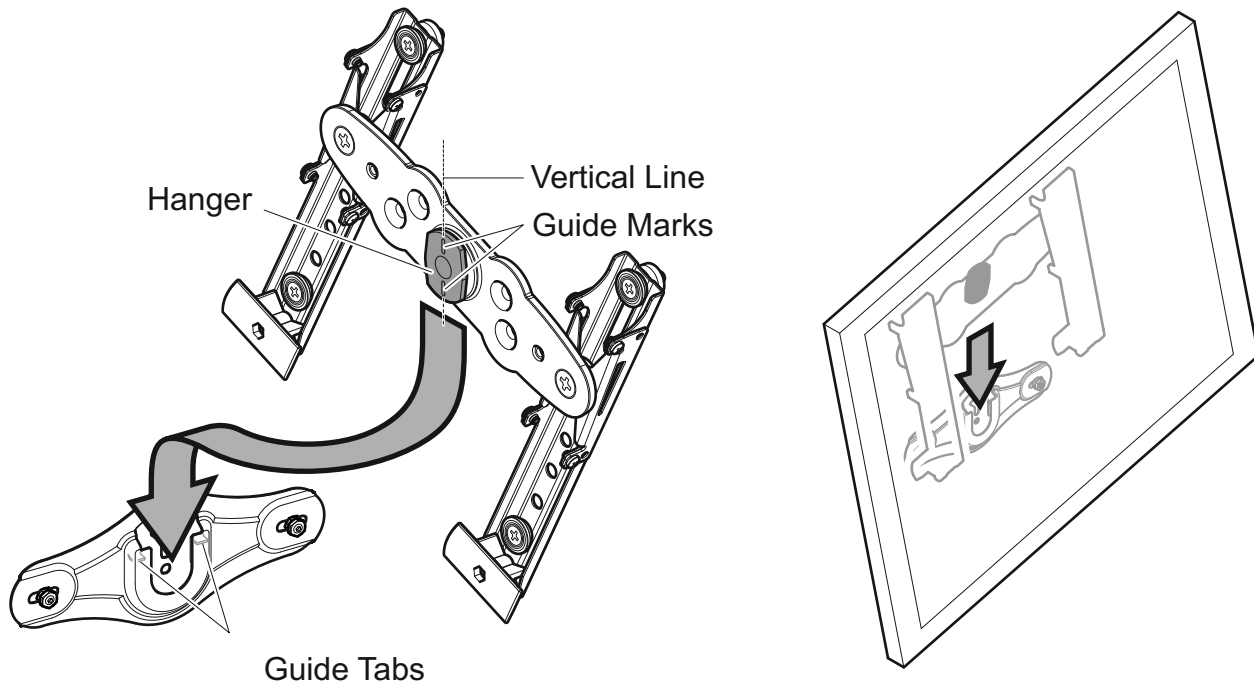
A

K

Use Plasterboard / Sheetrock fixings

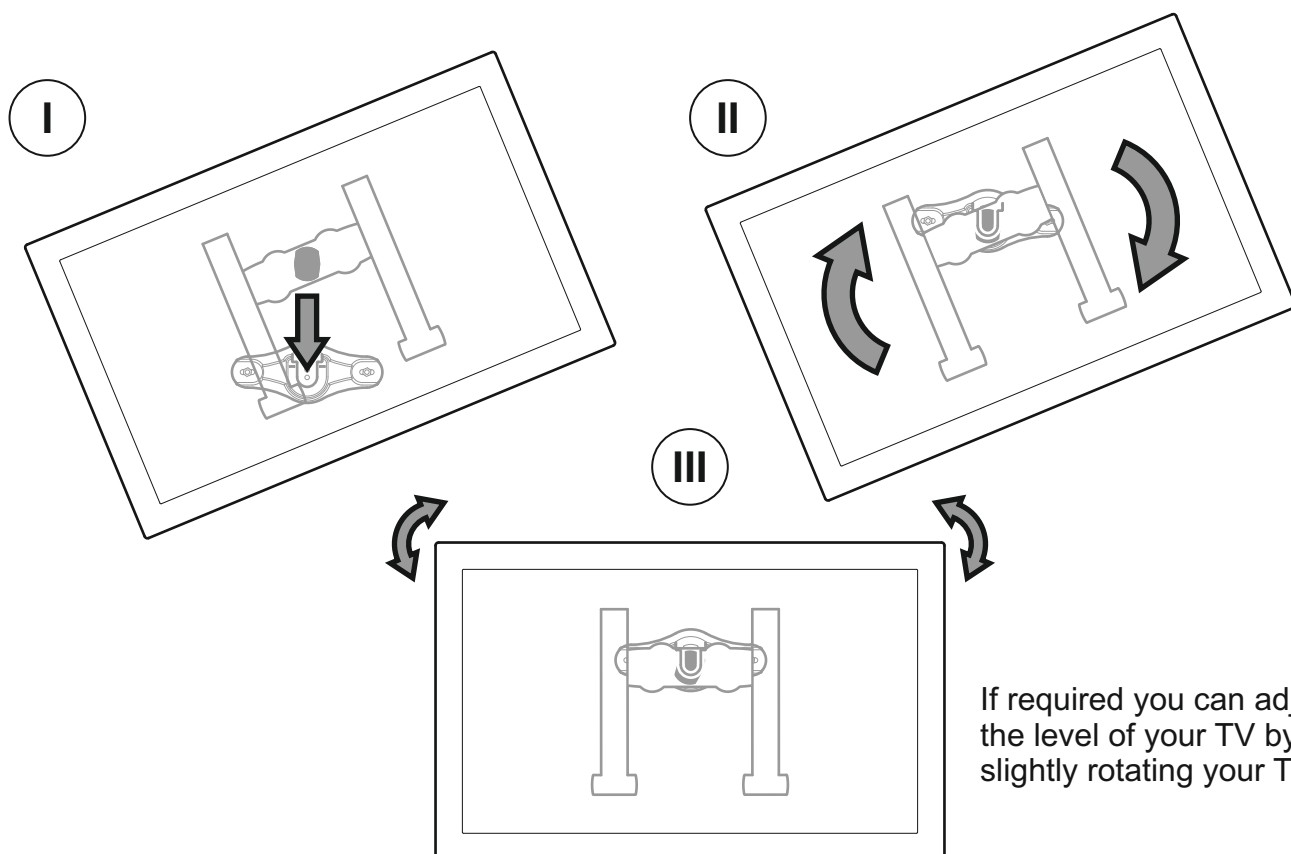
Only one fixing will be in the metal stud. The other fixings will be in plasterboard / sheetrock (see above).

16 Hanging The TV



Rotate your TV so that the guide marks on the hanger are vertical. Next slide your TV down so that the hanger goes between the two guide tabs on the wall bracket. Ensure the hanger is fully engaged and rotate clockwise until your TV is level.

If cables from your TV prevent the TV resting against the wall then an alternative hanger configuration will be required (See Section 17).



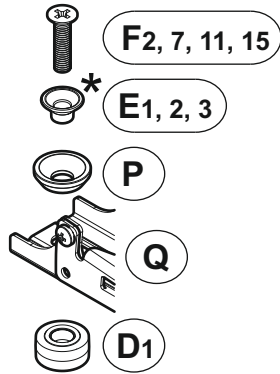
Removing the TV

This is a two person job. To remove the TV rotate anti-clockwise between 15-30° and lift TV up and out (ie reverse the movements as shown above).

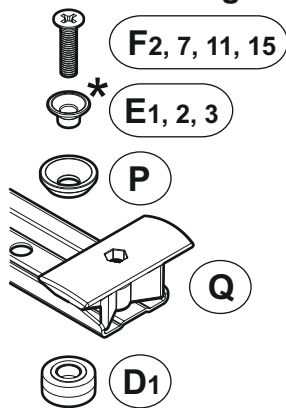
17 Alternative Hanger Configurations

Alternative spacings can be achieved using the spacer / screw combinations shown in this section.

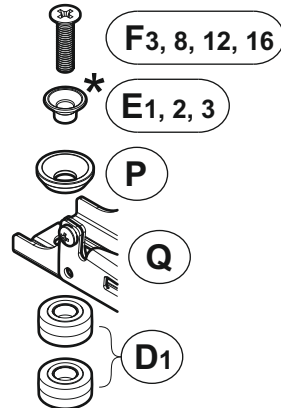
1 Spacer Combination Top Fixings



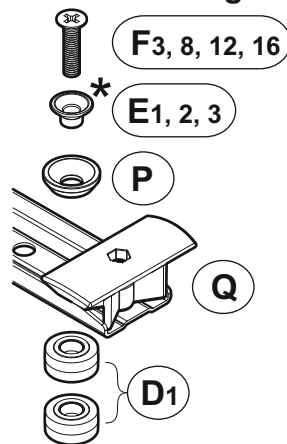
Bottom Fixings



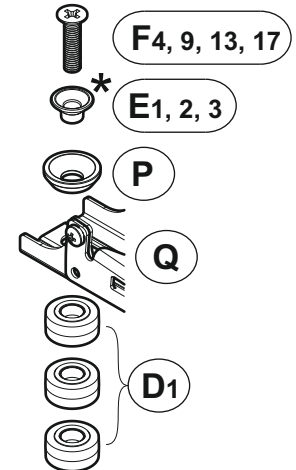
2 Spacer Combination Top Fixings



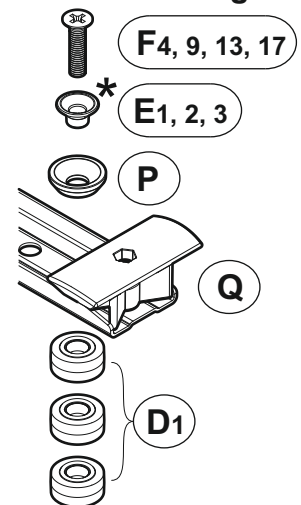
Bottom Fixings



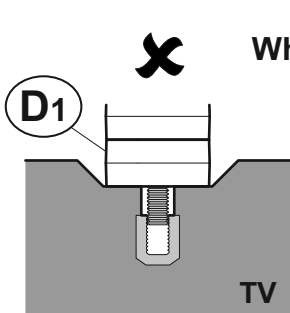
3 Spacer Combination Top Fixings



Bottom Fixings



If using screws (F₂), (F₃), (F₄) & (F₅) use Adaptor (E₁)
 * If using screws (F₇), (F₈) & (F₉) use Adaptor (E₂)
 If using screws (F₁₁), (F₁₂) & (F₁₃) use Adaptor (E₃)
 If using screws (F₁₅), (F₁₆) & (F₁₇) no Adaptor required

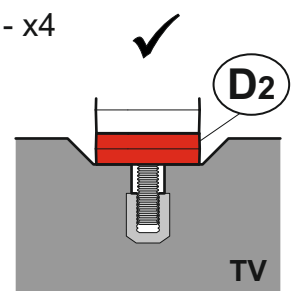


Problem
 Not enough
 screw engagement

When is it necessary to use red spacers?



(D₂) - x4



Solution
 Red spacer (D₂) has
 replaced spacer (D₁)

It is recommended that when fitting Tilt Brackets (O) to your TV you have at least 5-10mm of screw engagement. In certain circumstances you may need to use red spacers (D₂) as either a replacement, or together with spacers (D₁) to achieve this. Whenever you use red spacers (D₂) you must use all 4 provided.