

T1_{x4}

M4 x 16mm

T2_{x4}

M5 x 16mm

T3_{x4}

M6 x 16mm

T4_{x4}

M8 x 16mm

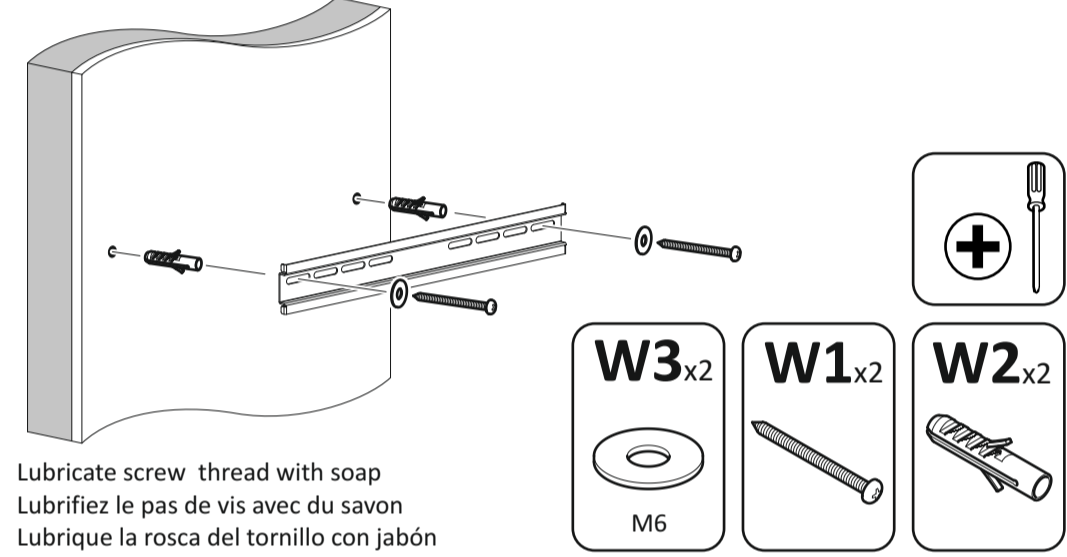
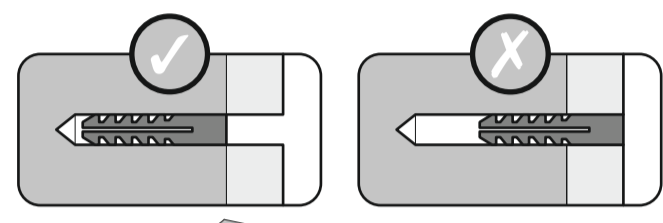
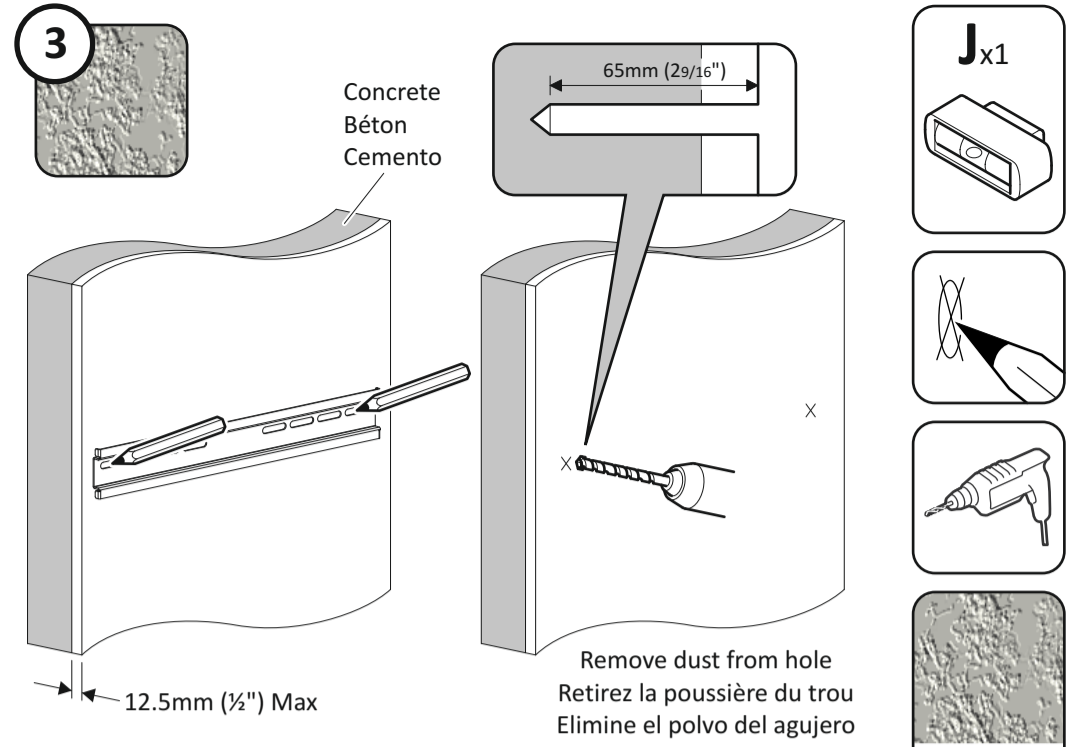
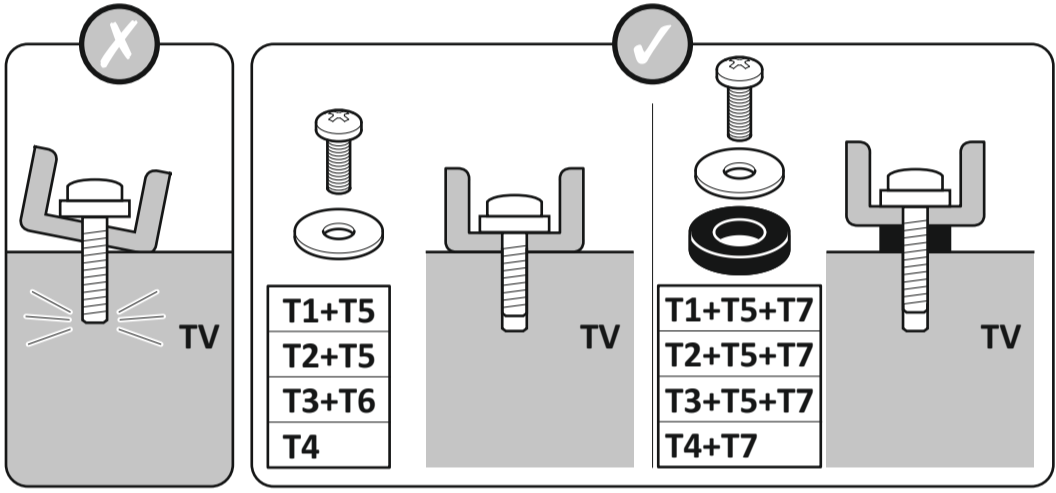
T5_{x4}

M5

T6_{x4}

M6

T7_{x4}



J_{x1}

Ø8mm (5/16")

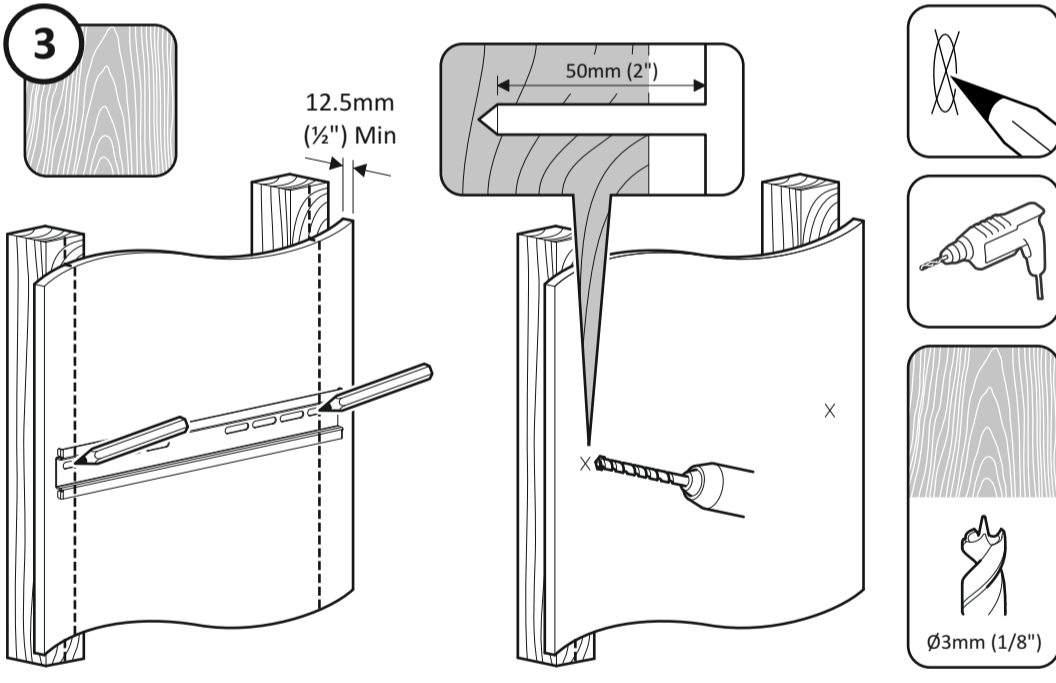
+

W3_{x2}

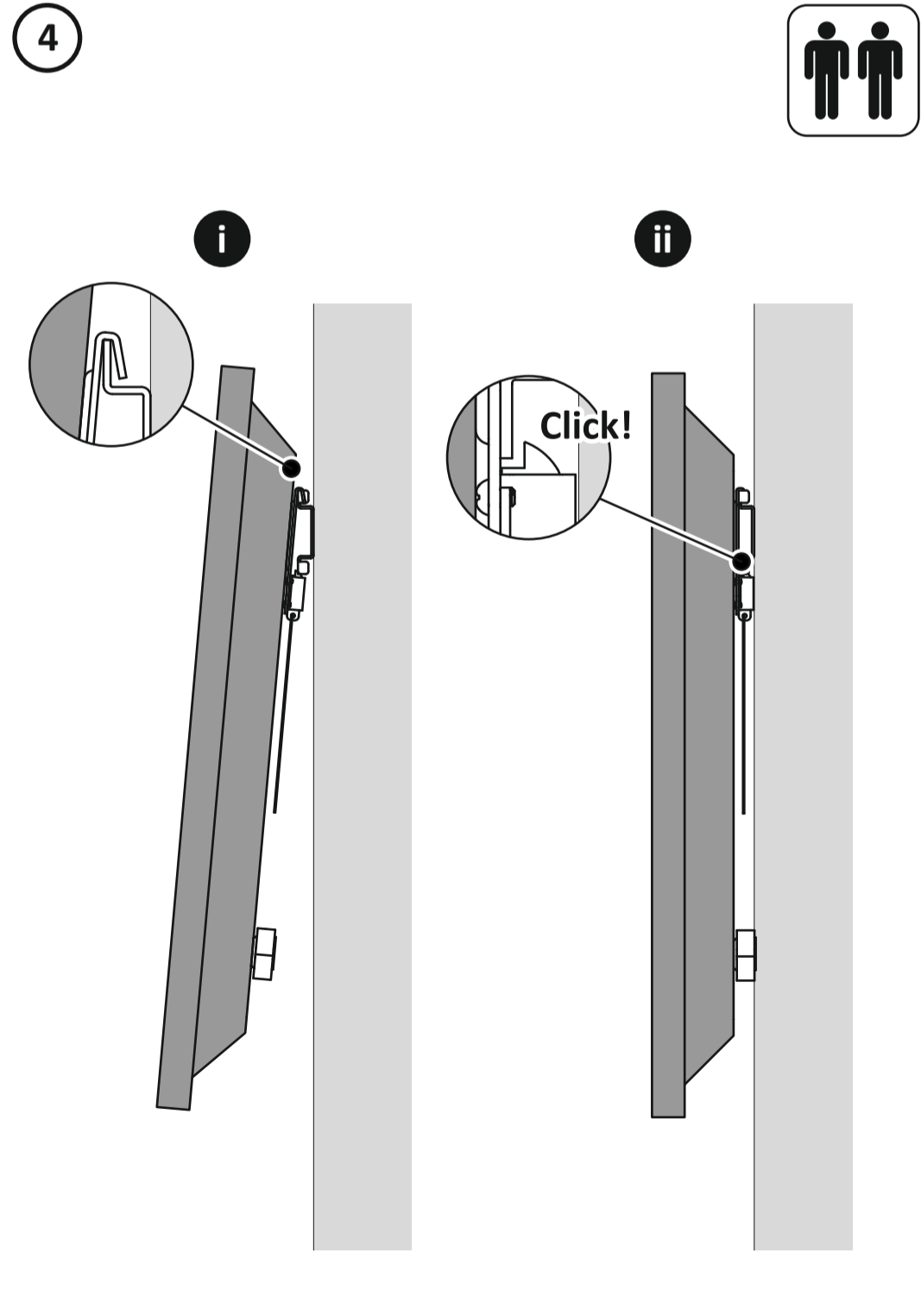
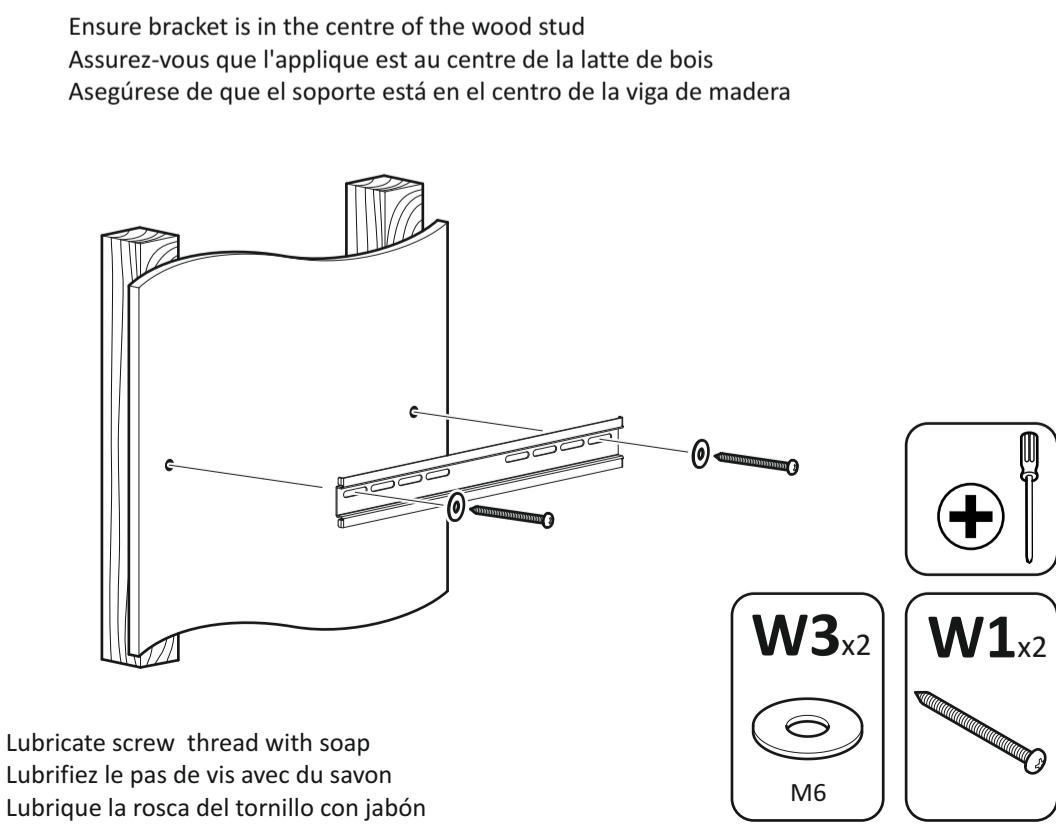
M6

W1_{x2}

W2_{x2}



Ø3mm (1/8")



+

W3_{x2}

M6

W1_{x2}