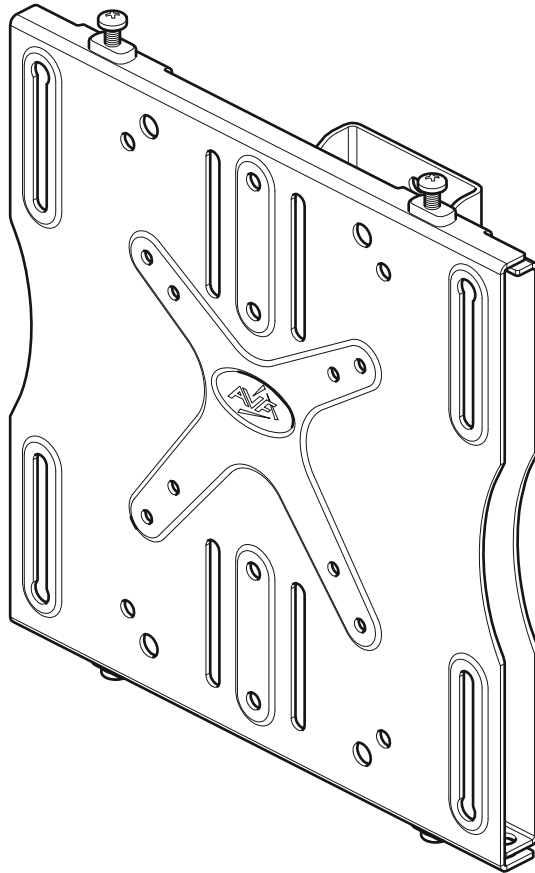


EPL551PBK

Leaflet No. 464498 rev00



Read through ALL instructions before commencing installation.
If you have any questions about this product or issues with installation contact the customer services help line before returning this product to the store. See <http://comet.avfgroup.com> for instruction videos.

CUSTOMER SERVICES HELP LINE NUMBER:

01952 670009



**88lbs
40kg**

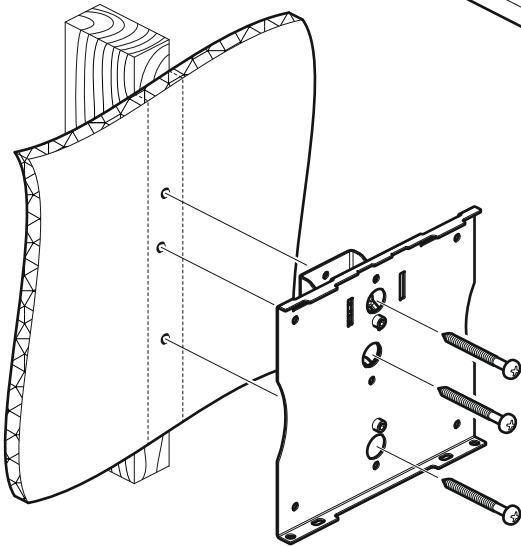
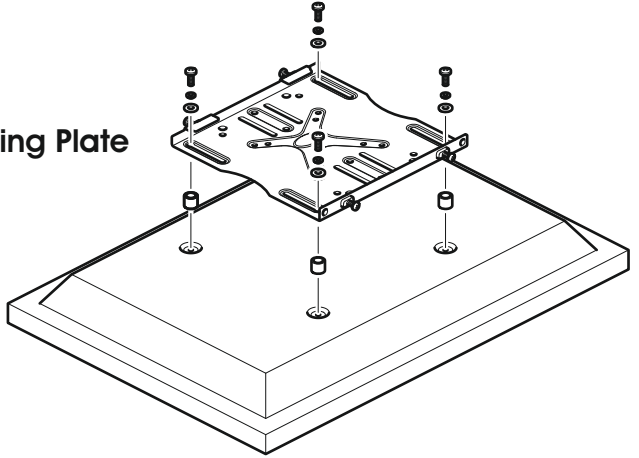


42"
106cm

AVF Group Ltd. Hortonwood 30, Telford, Shropshire, TF1 7YE, England

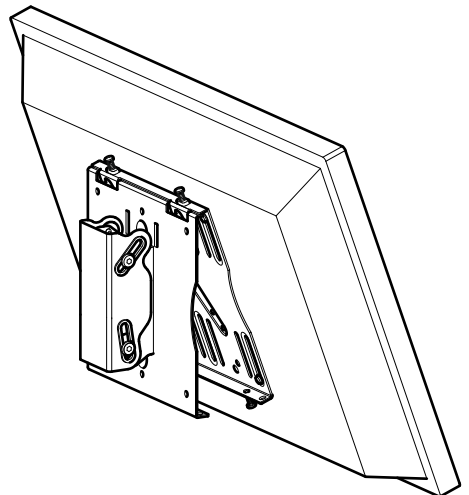
Assembly Overview

Fit the TV Mounting Plate



Fit the Wall Bracket

Attach the TV



Index

1 Measure the TV fixing holes Width and Height

2 Preparing the TV Mounting Plate

3 Fitting the TV Mounting Plate

4 Fitting the Wall Bracket

5 Attach the TV

Retain all packaging in case the bracket needs to be returned.

Contents may vary from photography/ Illustrations.

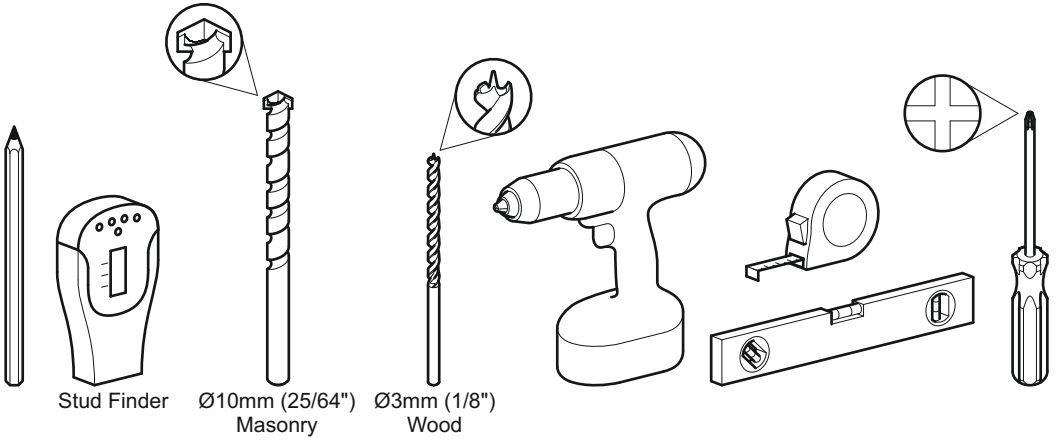
You will not need all these parts, so expect there to be some left over depending upon the specification of your TV.

This product is intended for indoor use only. Use of this product outdoors could lead to failure and personal injury.

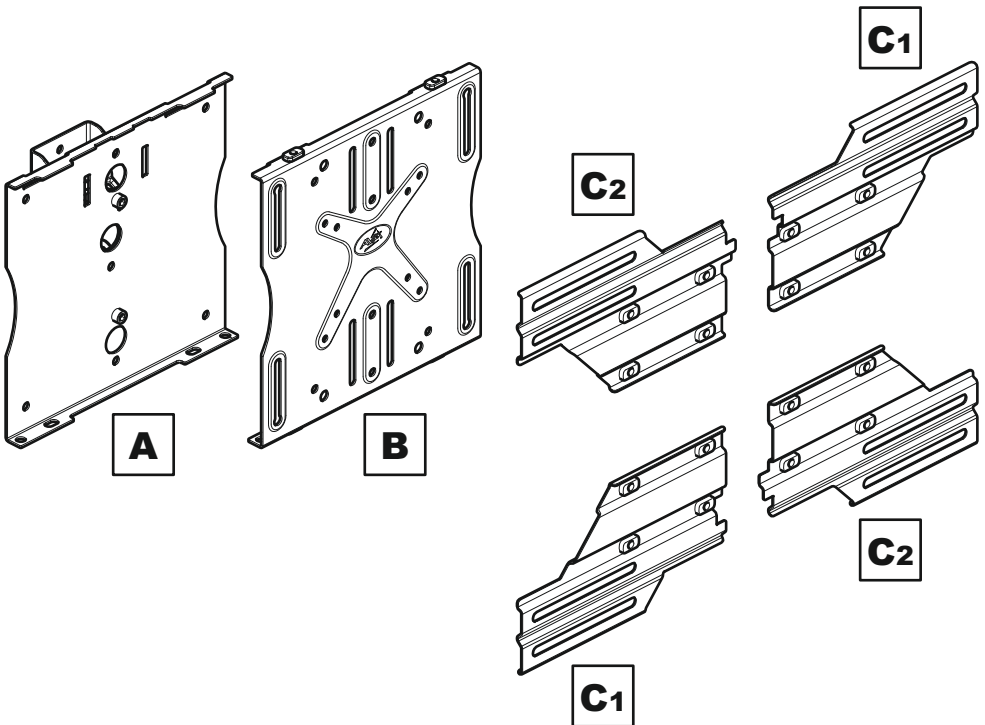
It is the responsibility of the installer to ensure that the mounting wall is of a suitable standard and void of any services (eg gas, electricity, water etc).

AVF accept no responsibility for any damage or loss caused by installing this product in a sub standard wall.

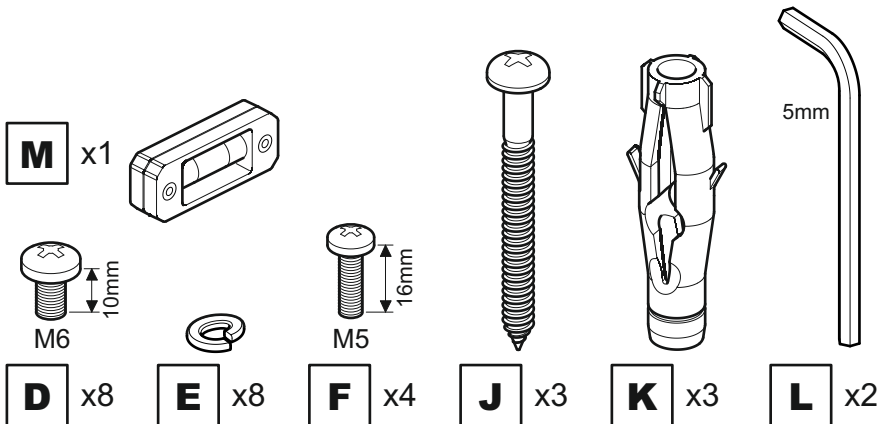
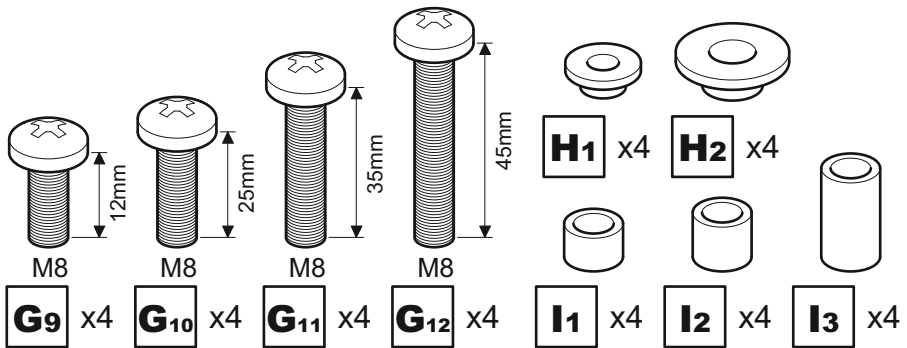
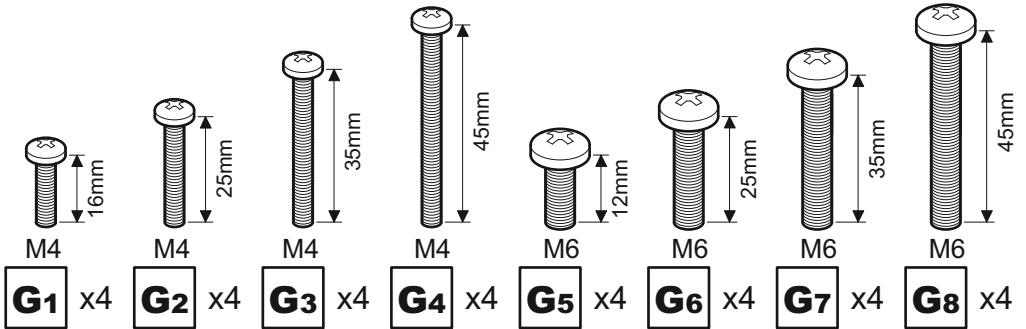
Tools Recommended

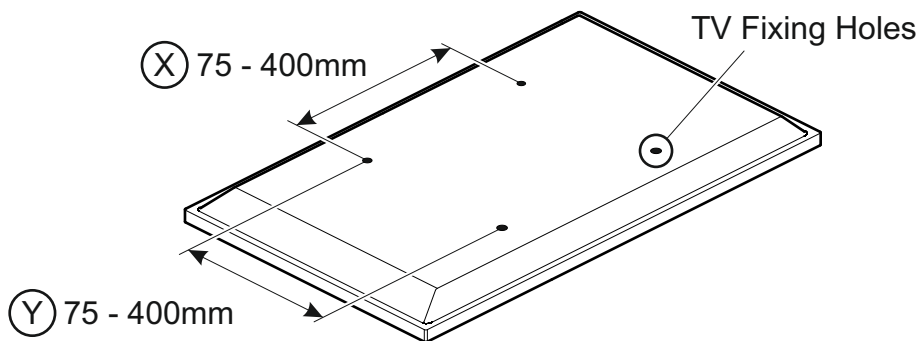


Boxed Parts



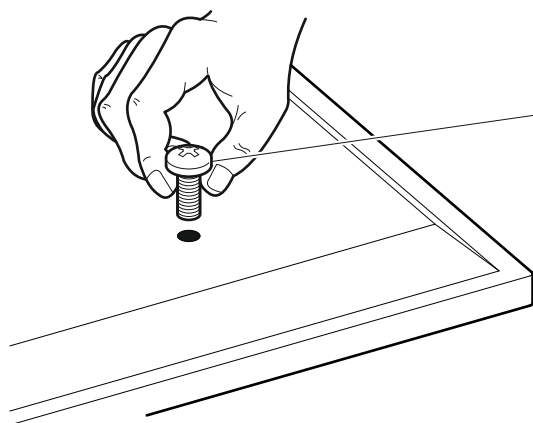
TV Screws, Reducers and Spacers



1**Measure the TV fixing holes Width and Height**

If width **X** is greater than 400mm or height **Y** greater than 400mm
STOP installation now and contact the customer help line

You are provided with 3 diameters of TV fixing screws, **M4**, **M6** and **M8**.
Determine the screw diameter that fits and remember for step 3.

**M4 = G1-G4****M6 = G5-G8****M8 = G9-G12**

2

Preparing the TV Mounting Plate

Use the option that fits your TV

OPTION 1

OPTION 2

OPTION 3

(X) = 75mm - 200mm

(X) = 200mm - 400mm

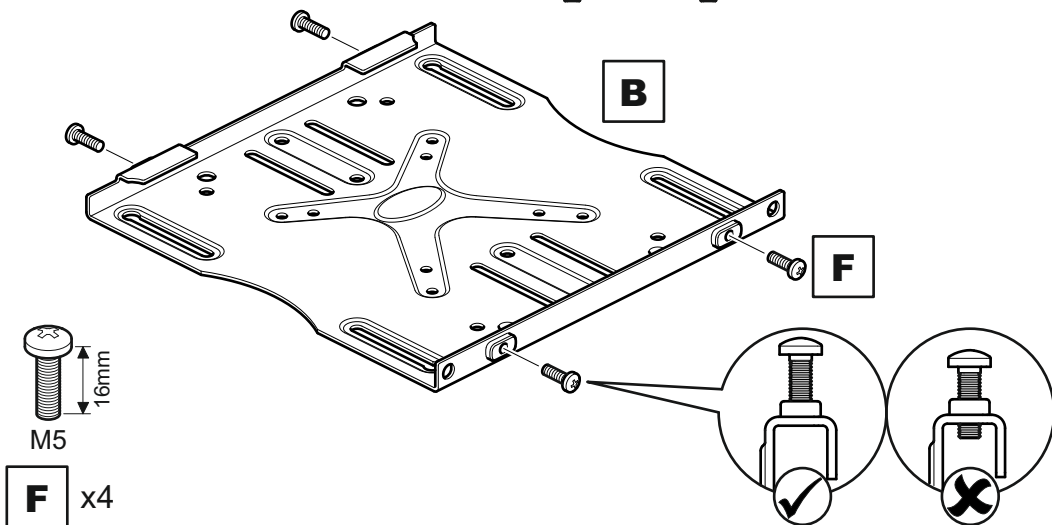
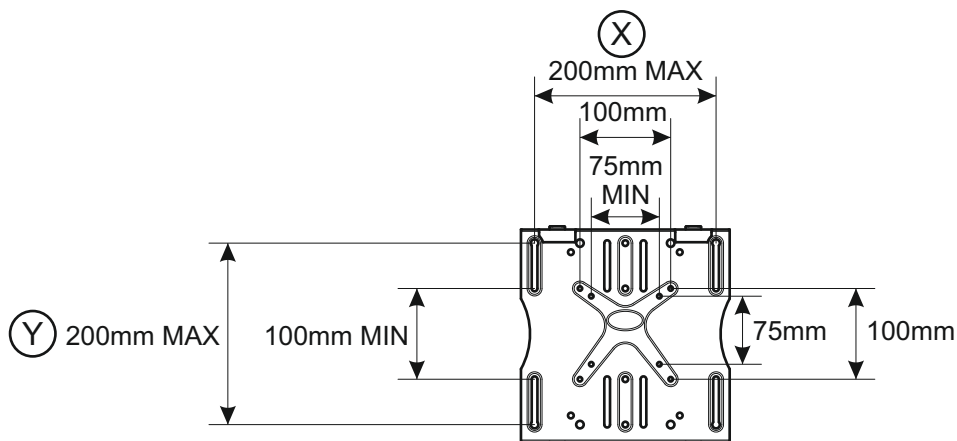
(X) = 200mm - 400mm

(Y) = 75mm - 200mm

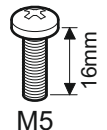
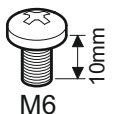
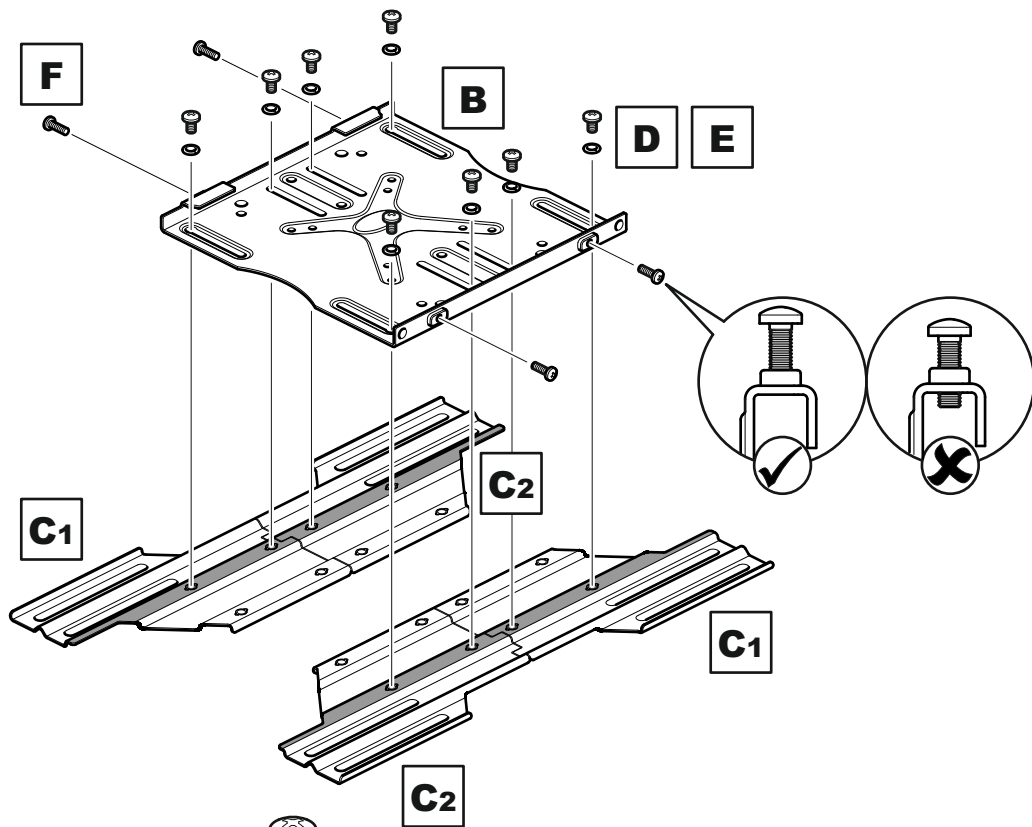
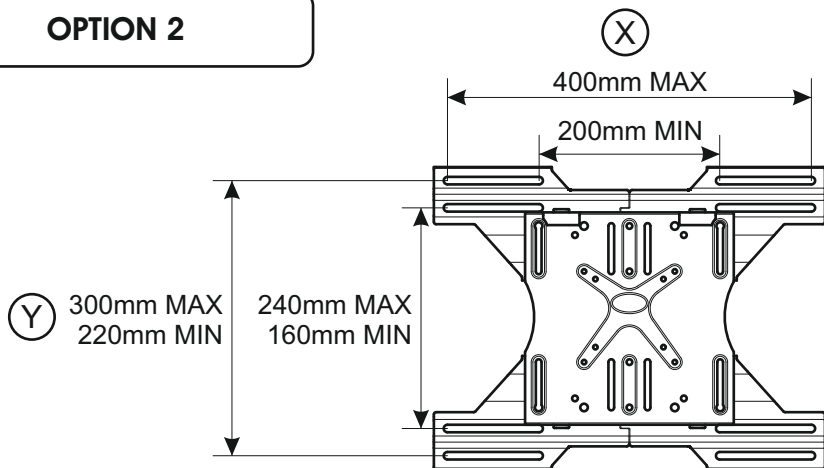
(Y) = 160mm - 300mm

(Y) = 240mm - 400mm

OPTION 1

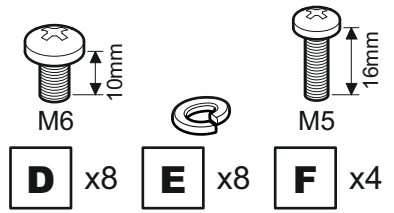
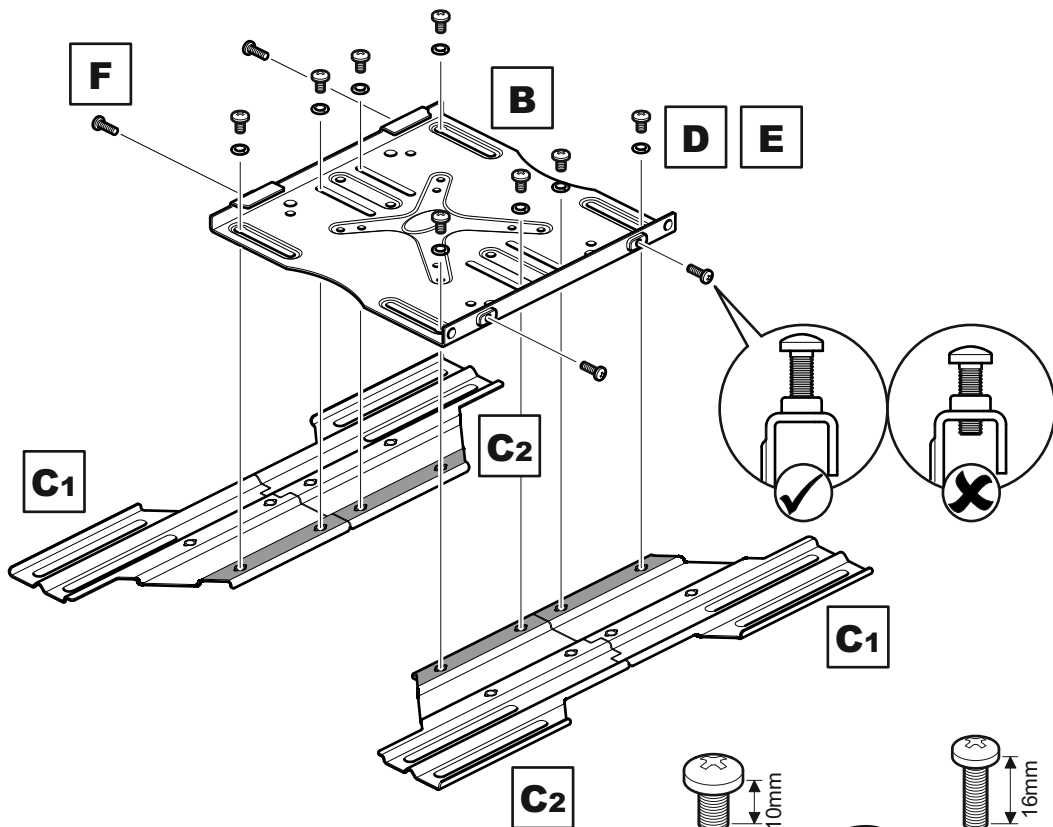
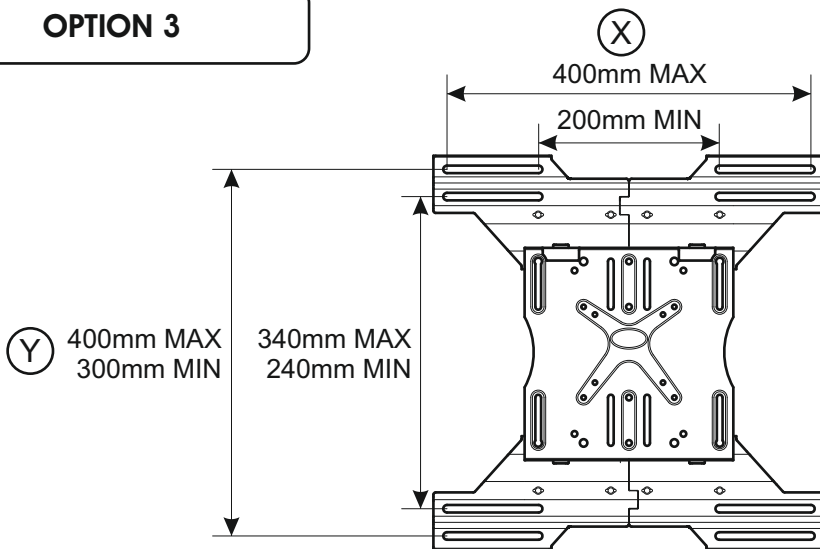


OPTION 2



- D** x8
- E** x8
- F** x4

OPTION 3

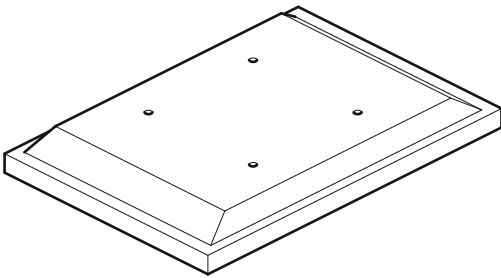


3

Fitting the TV Mounting Plate

No Spacers

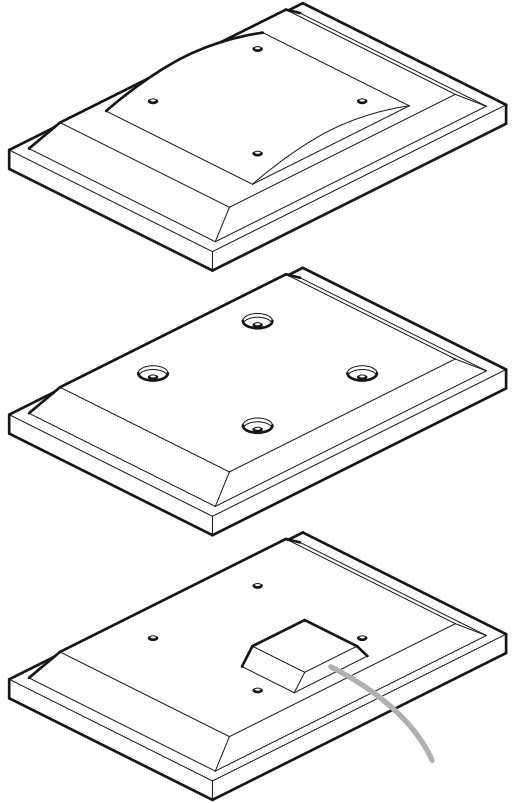
For TVs with flat/unobstructed back



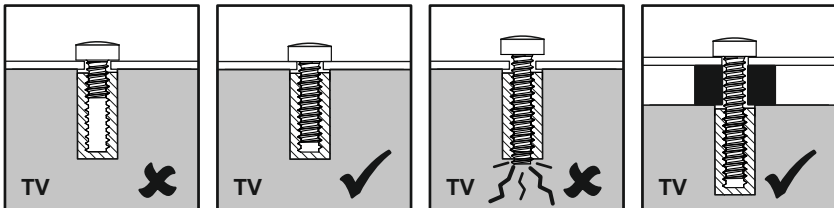
Spacers

I1-I3

For TVs with irregular/obstructed back

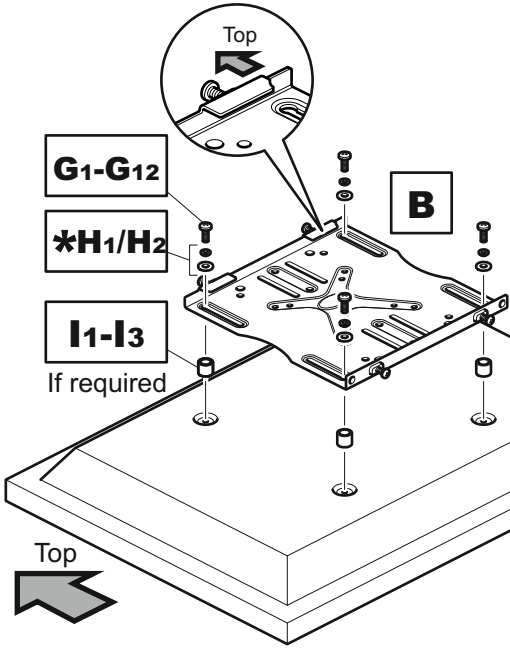


WARNING

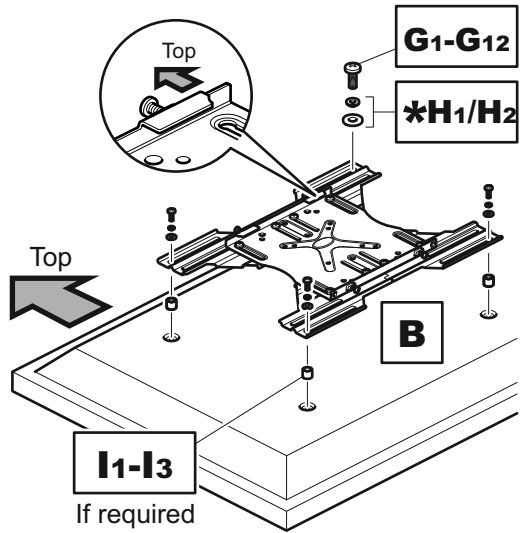


After completing step 3 you will have fittings left over, please keep for future reference

OPTION 1

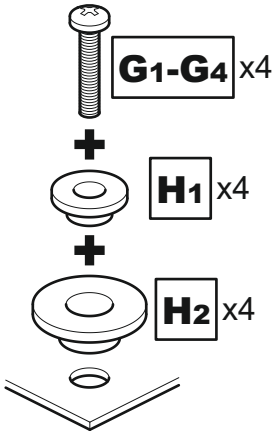


OPTION 2 & 3

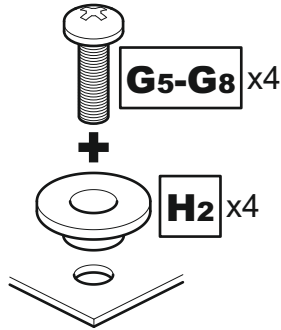


* Screw diameter dependant

M4



M6



M8



If required **I1-I3** x4

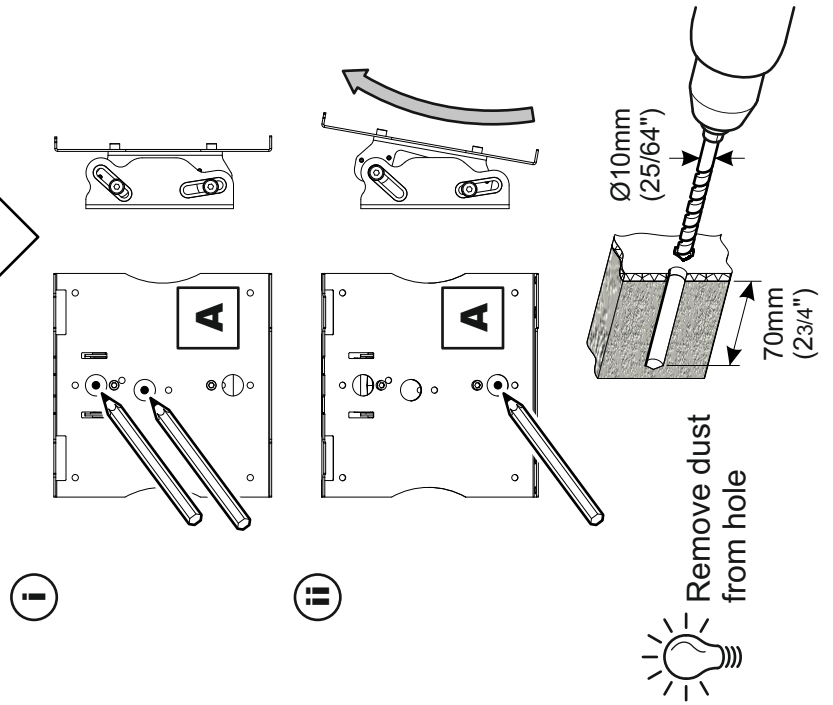
I1-I3 x4

I1-I3 x4

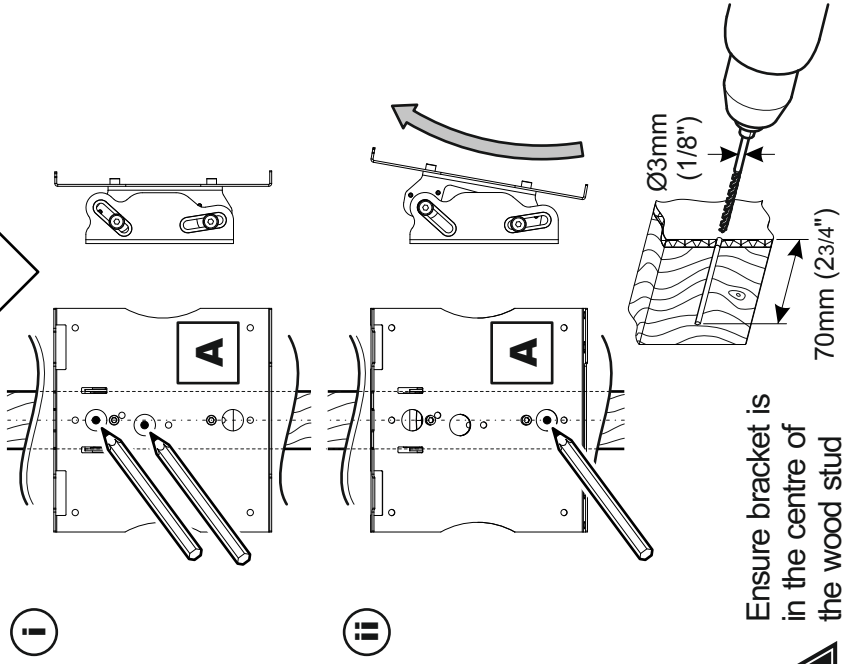
Attach the bracket to the back of your TV using suitable screw, reducer and spacer combinations.

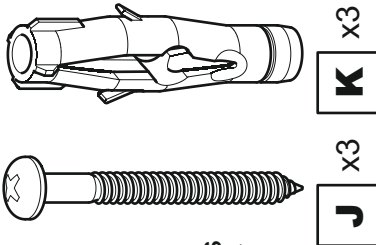
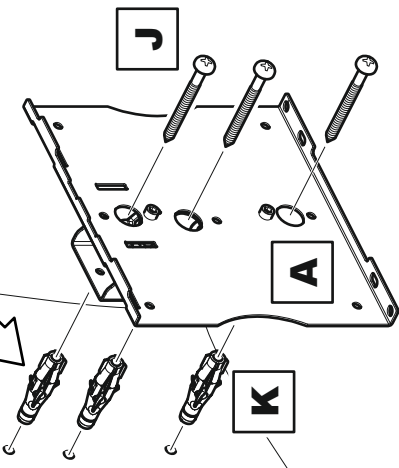
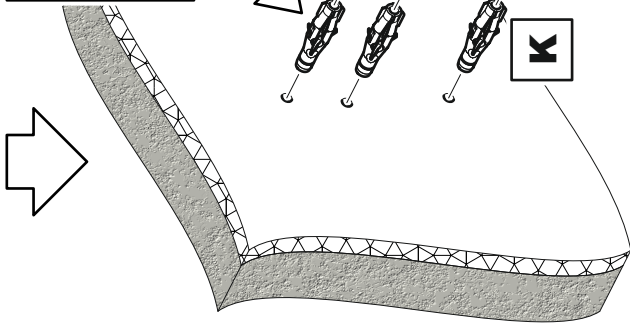
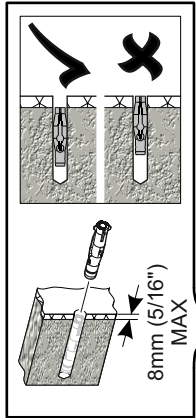
4 Fitting the Wall Bracket

Solid Wall



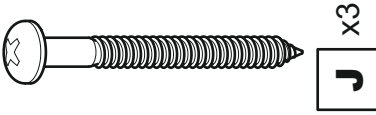
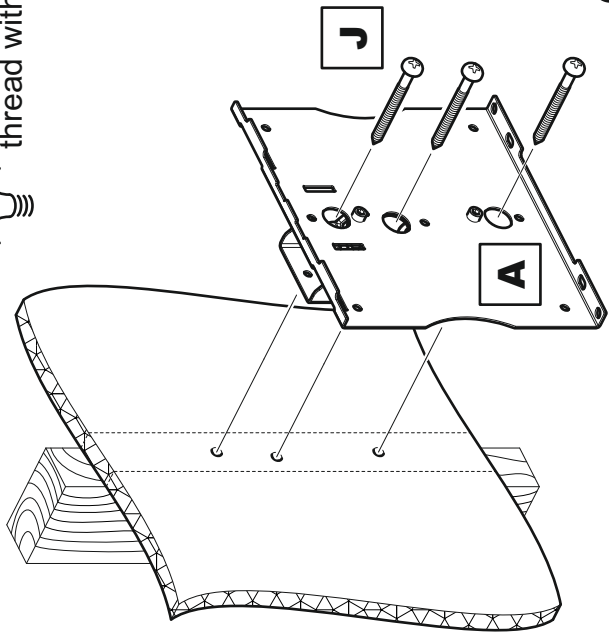
Wood Stud





Lubricate screw
thread with soap

! DO NOT over tighten screws
Tighten screws by hand only

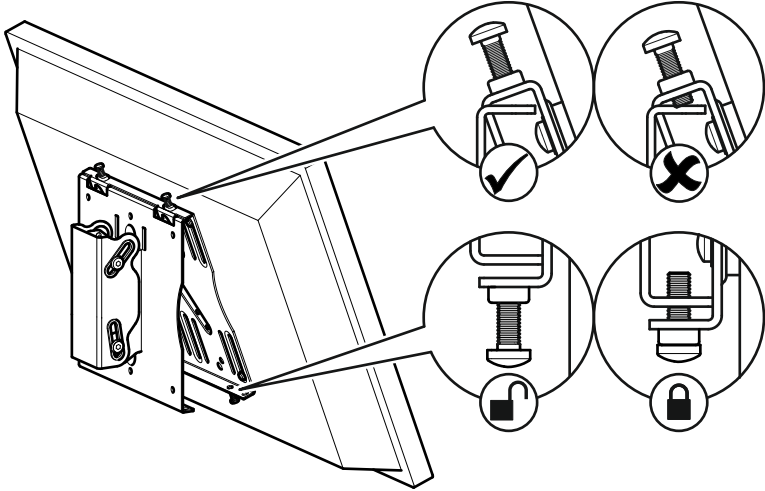


! DO NOT over tighten screws
Tighten screws by hand only

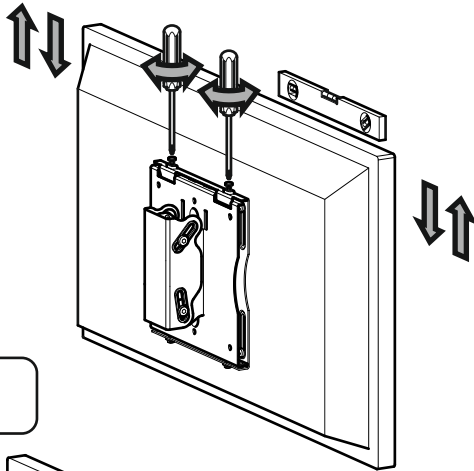
5

Attach the TV

Attaching



TV Levelling



Optional

Lock Tilt



M x2

