



# Milano Glass Set of 2 Tables

464486 rev00



Read through ALL instructions before commencing assembly.  
If you have any questions about this product or issues with  
assembly contact the customer services help line before  
returning this product to the store.

CUSTOMER SERVICES HELP LINE NUMBER:

**01952 670009 (UK)**

**AVF Group Ltd.**

Hortonwood 30, Telford,  
Shropshire, TF1 7YE, England

[www.avfgroup.com](http://www.avfgroup.com)

## IMPORTANT INFORMATION!

We advise that before starting the assembly of this product that you familiarise yourself with the instructions and the parts list in this leaflet.

### Do not's

**Do not** over tighten any part of this assembly.

**Do not** place hot or cold objects on to or close to any glass surface unless the object is sufficiently insulated to prevent contact.

**Do not** strike the glass with hard or pointed items.

**Do not** sit or stand upon horizontal glass surfaces.

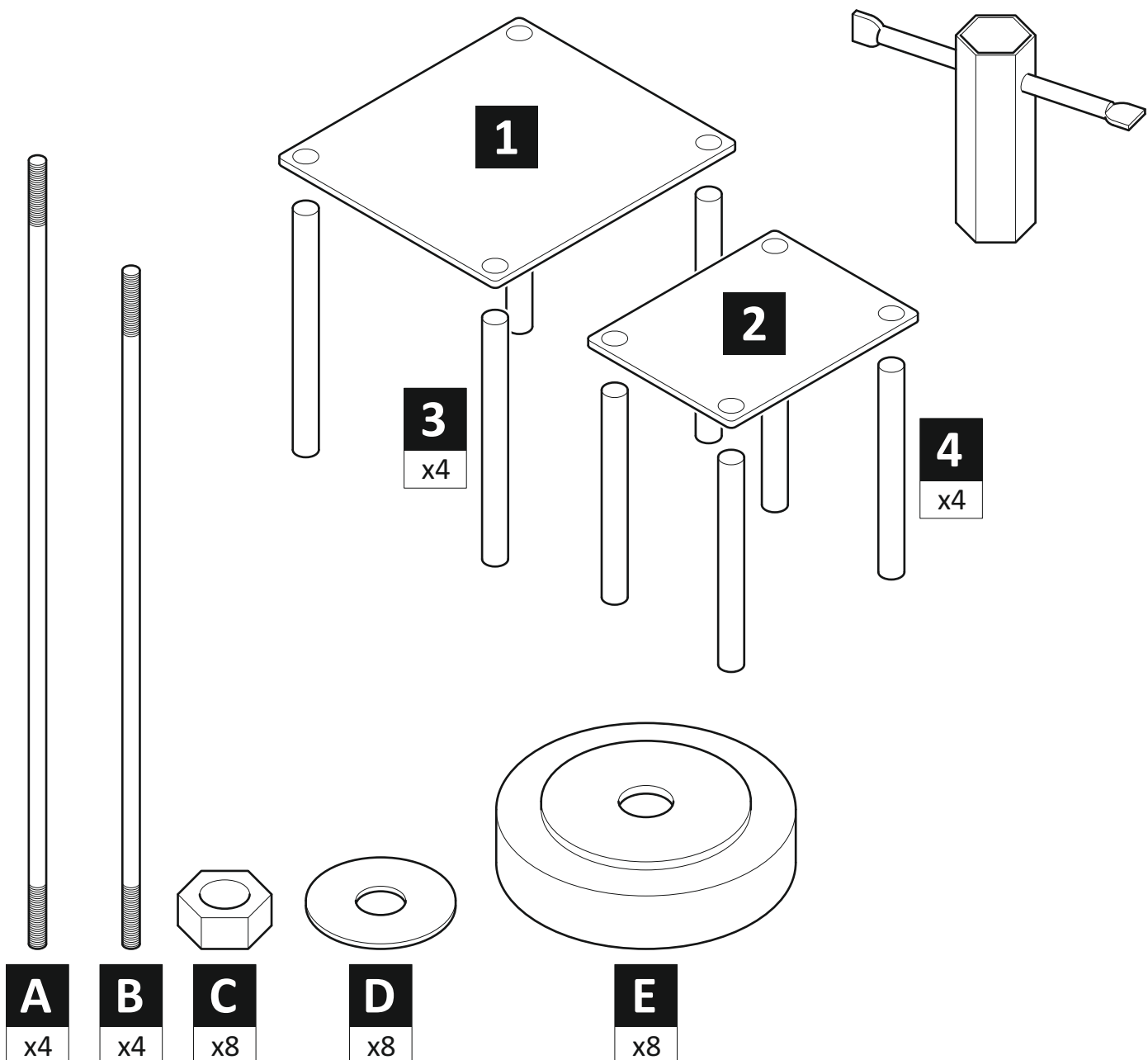
**Do not** use washing powders or other substances containing abrasives when cleaning the glass surfaces as these may scratch the glass.

### Do's

**Do** use a damp cloth with diluted washing up liquid for cleaning the glass surfaces.

**WARNING** Wherever possible distribute weight evenly.

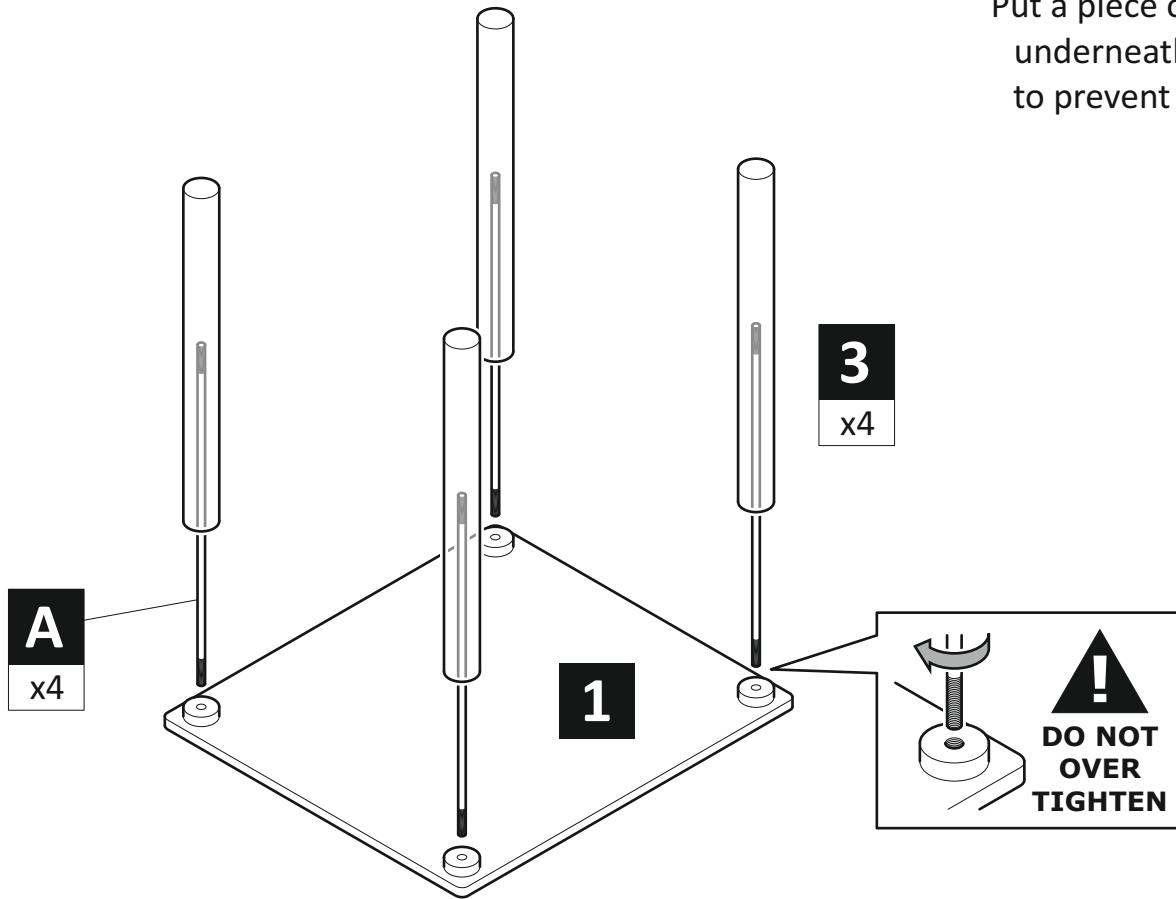
## Boxed Parts



# Step 1



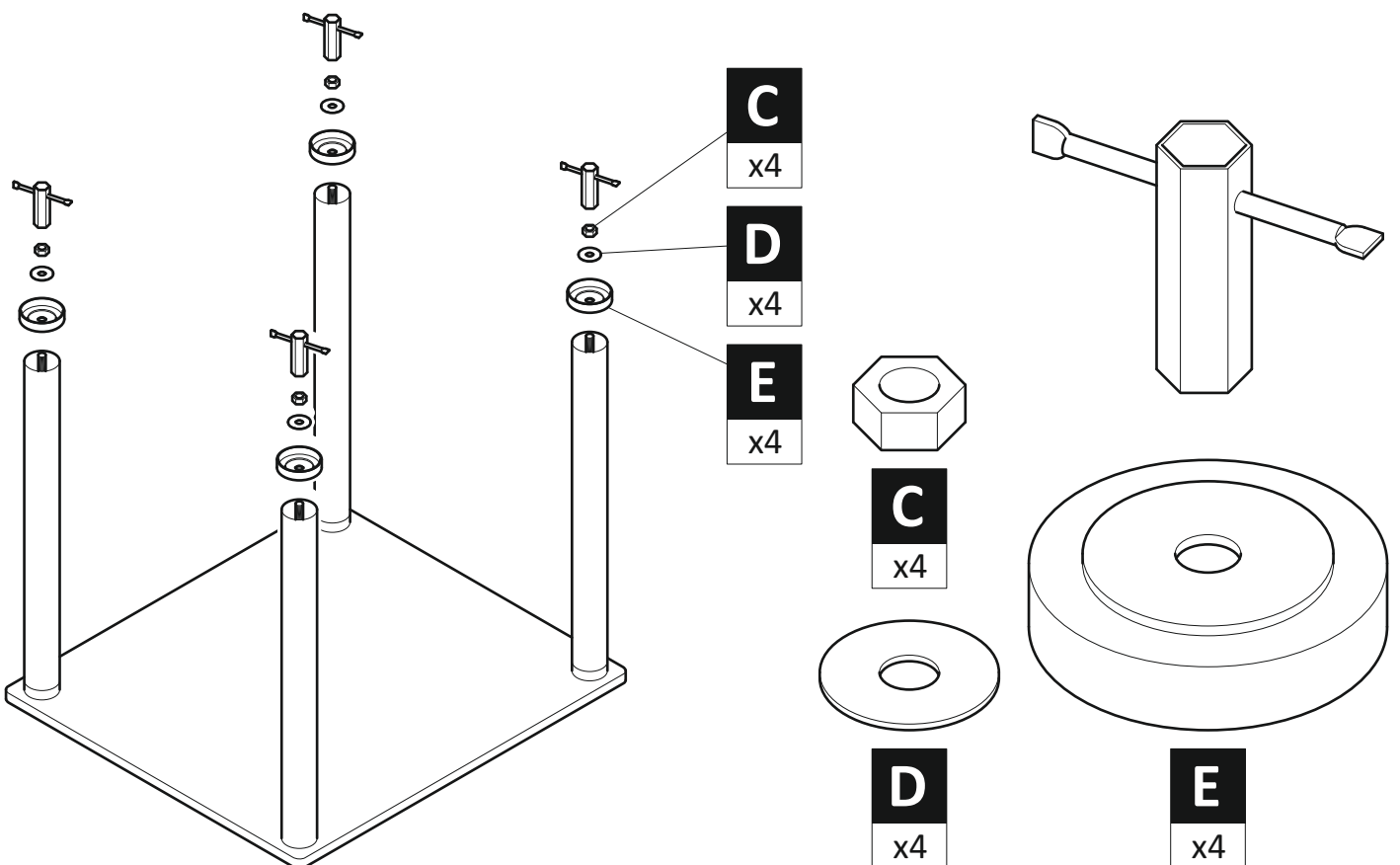
Put a piece of material underneath shelf **1** to prevent damage.



# Step 2



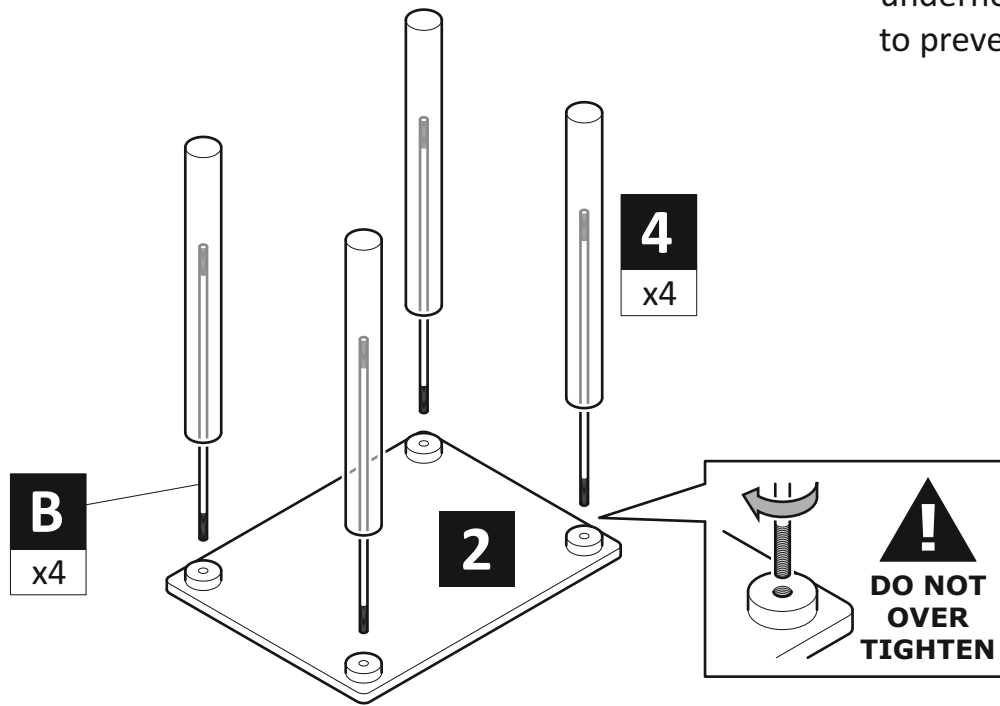
**DO NOT OVER TIGHTEN**



# Step 3



Put a piece of material underneath shelf **2** to prevent damage.



# Step 4



DO NOT OVER TIGHTEN

