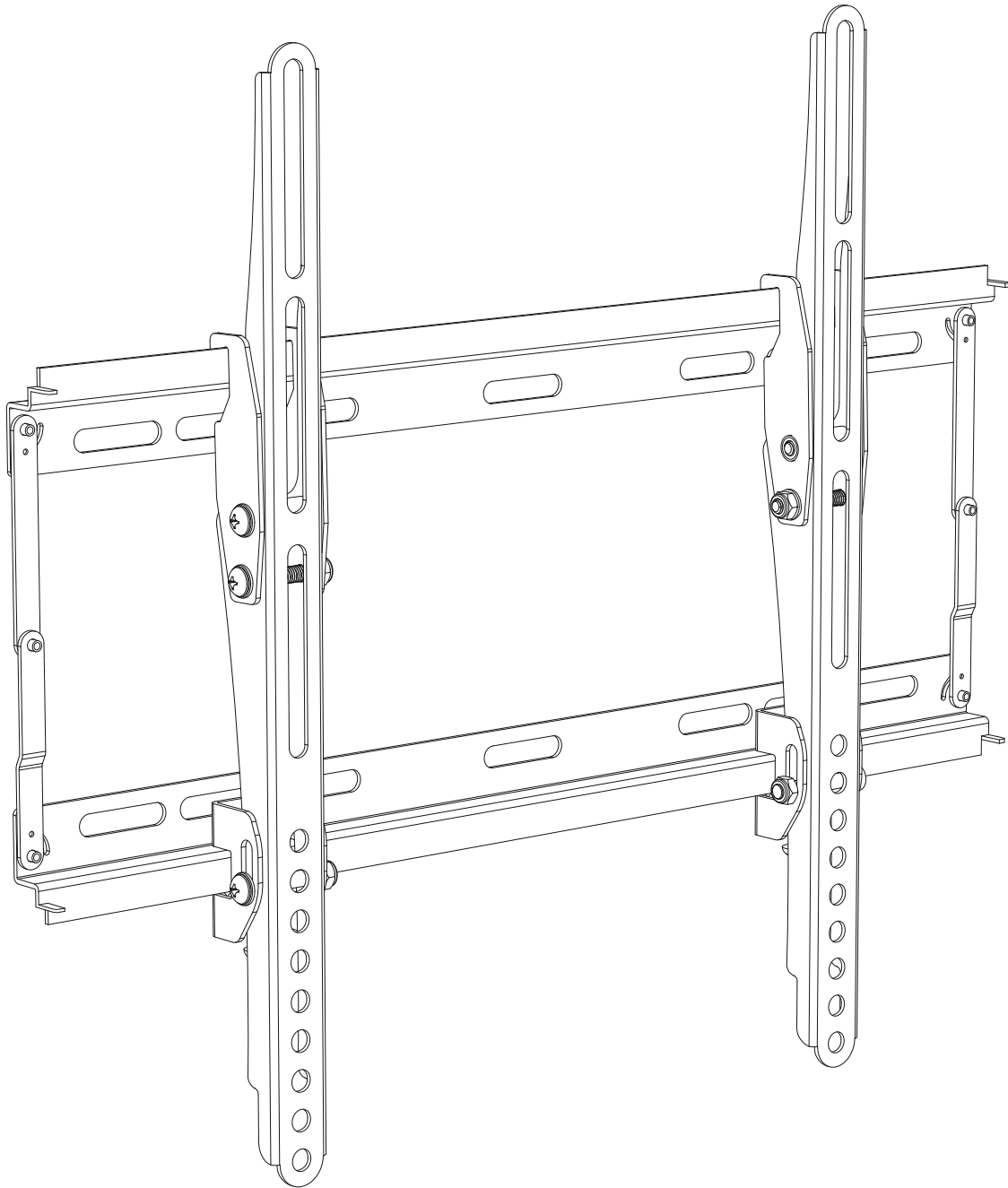


wilko



WL41 flat and tilt TV wall mount to 55" 40kg

assembly instructions
464429 rev00

Please Read

Retain all packaging in case the bracket needs to be returned.

Contents may vary from photography/ Illustrations.

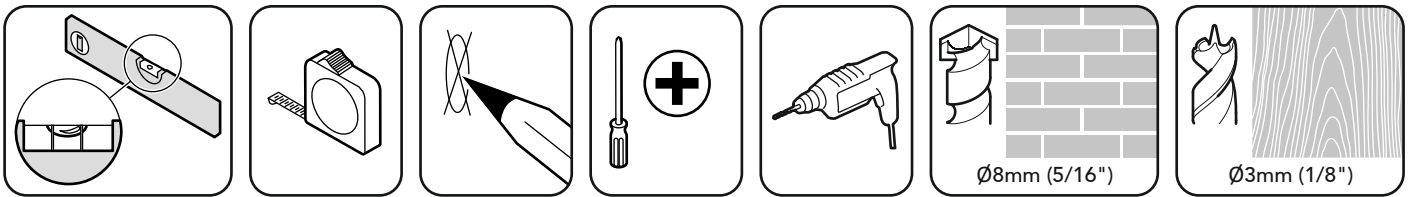
You will not need all these parts, so expect there to be some left over depending upon the specification of your TV.

This product is intended for indoor use only. Use of this product outdoors could lead to failure and personal injury.

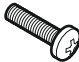
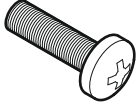
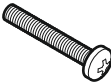

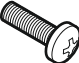

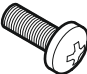

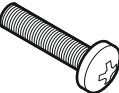

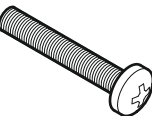
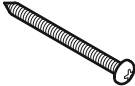
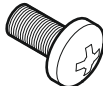

It is the responsibility of the installer to ensure that the mounting wall is of a suitable standard and void of any services (eg gas, electricity, water etc).

Periodically check all nuts and bolts are tight.

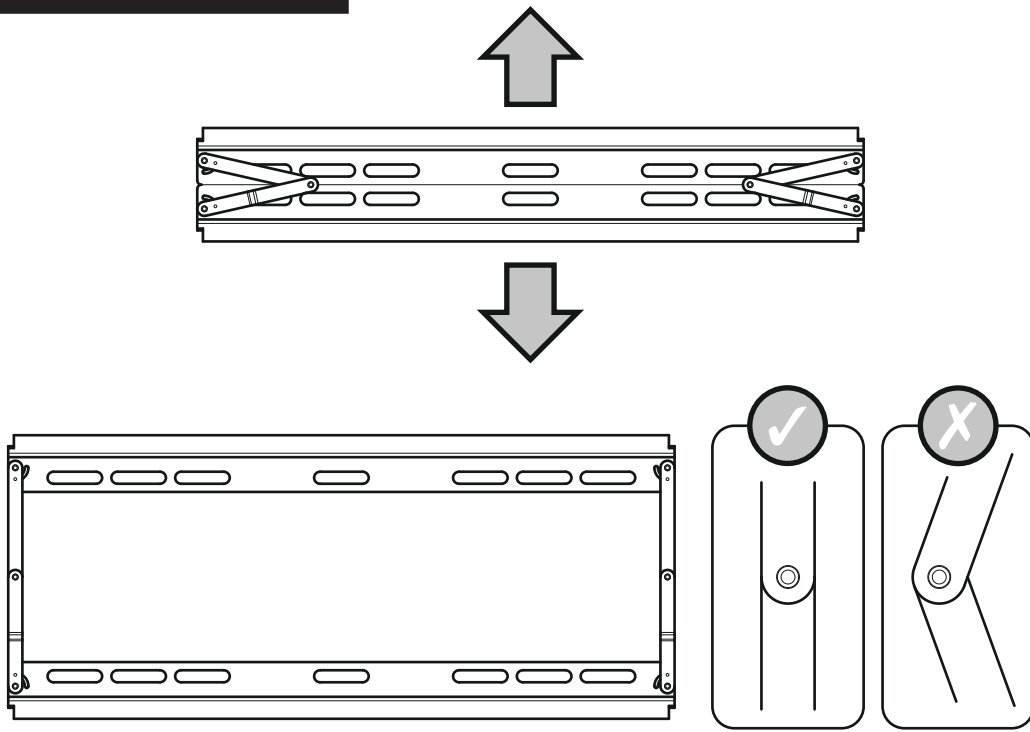
Tools Recommended



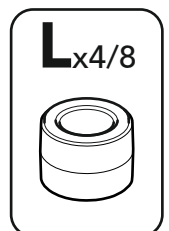
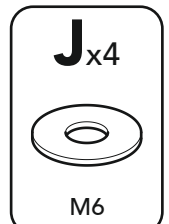
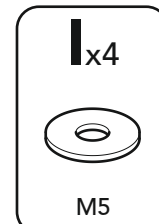
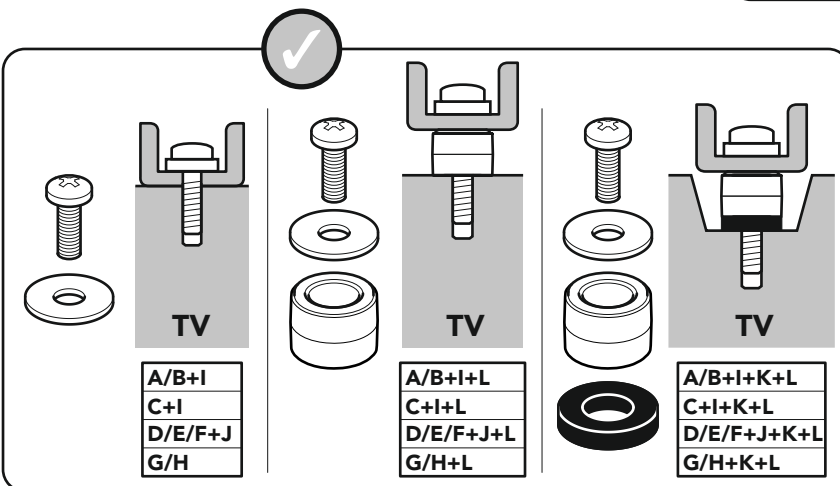
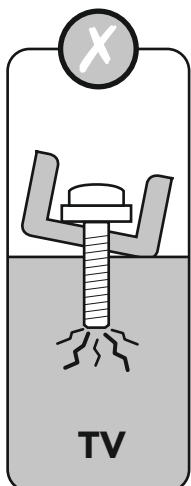
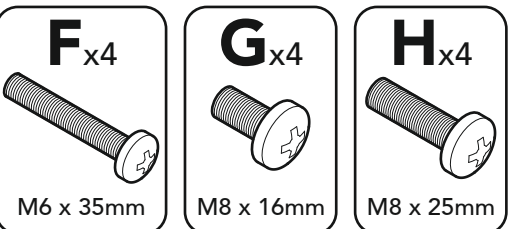
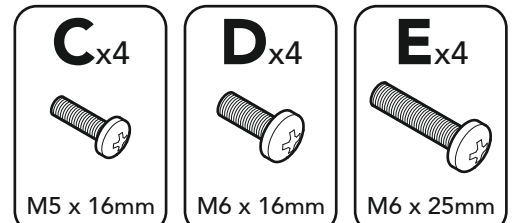
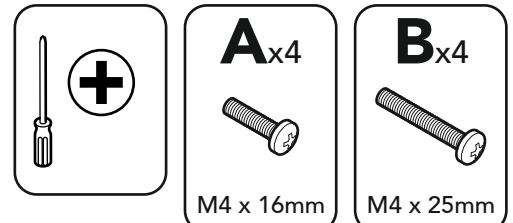
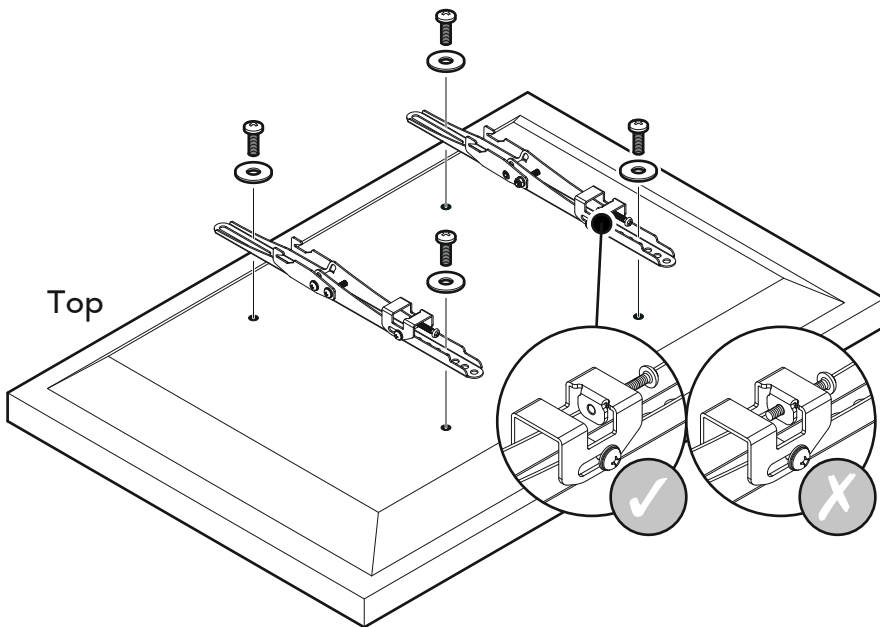
Boxed Parts

A	 M4 x 16mm	x4	H	 M8 x 25mm	x4
B	 M4 x 25mm	x4	I	 M5	x4
C	 M5 x 16mm	x4	J	 M6	x8
D	 M6 x 16mm	x4	K	 M6	x4
E	 M6 x 25mm	x4	L	 M6	x8
F	 M6 x 35mm	x4	M	 M6	x4
G	 M8 x 16mm	x4	N	 M8	x4

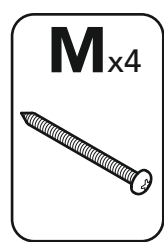
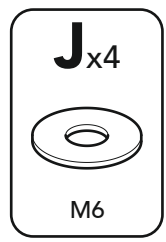
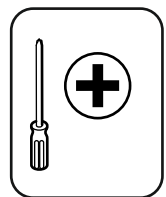
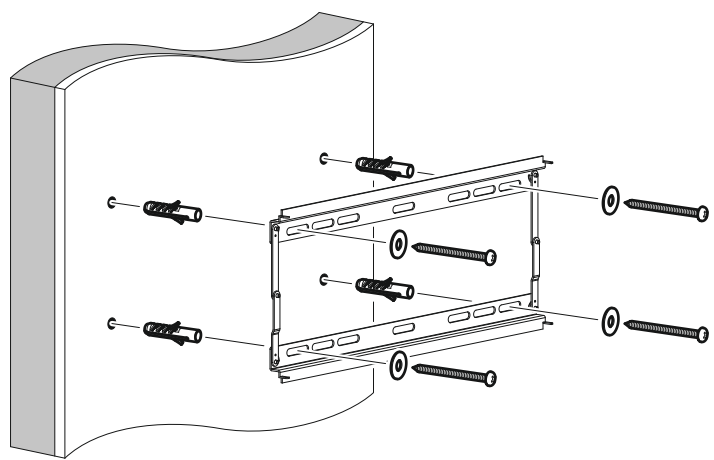
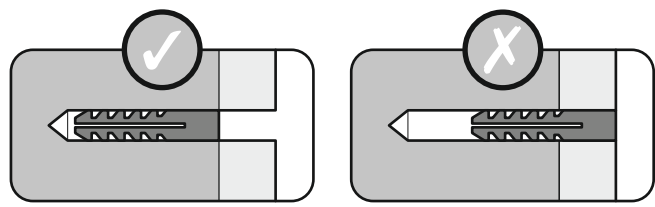
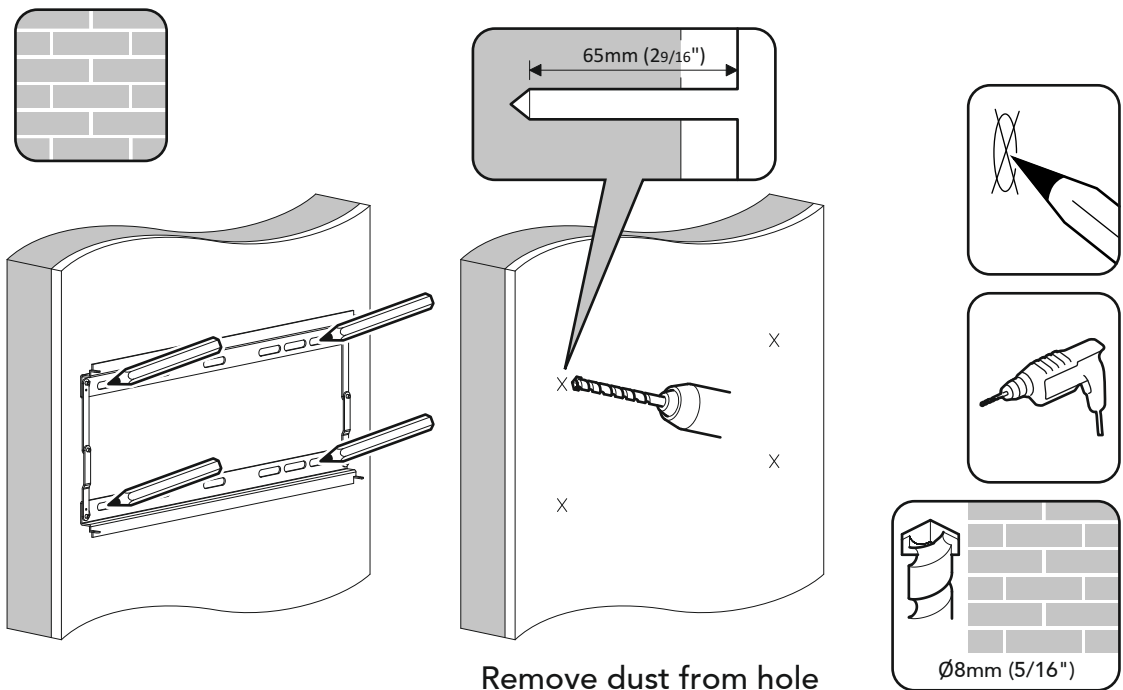
Step 1



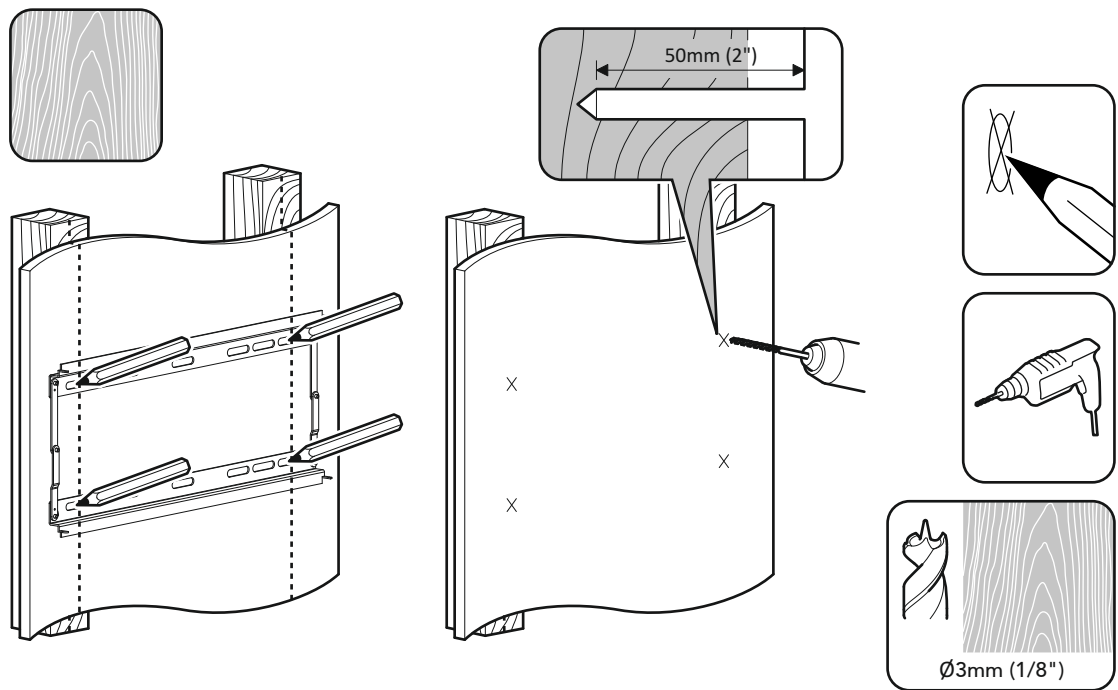
Step 2



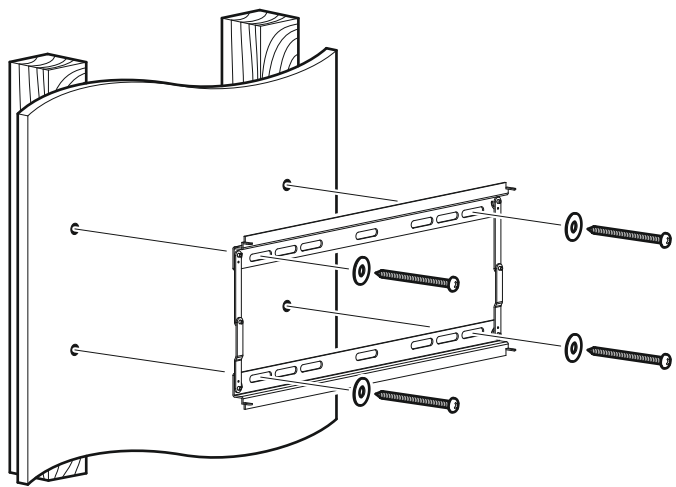
Step 3 Solid Wall Fixing



Step 3 Wood Stud Fixing



Ensure bracket is in the centre of the wood stud

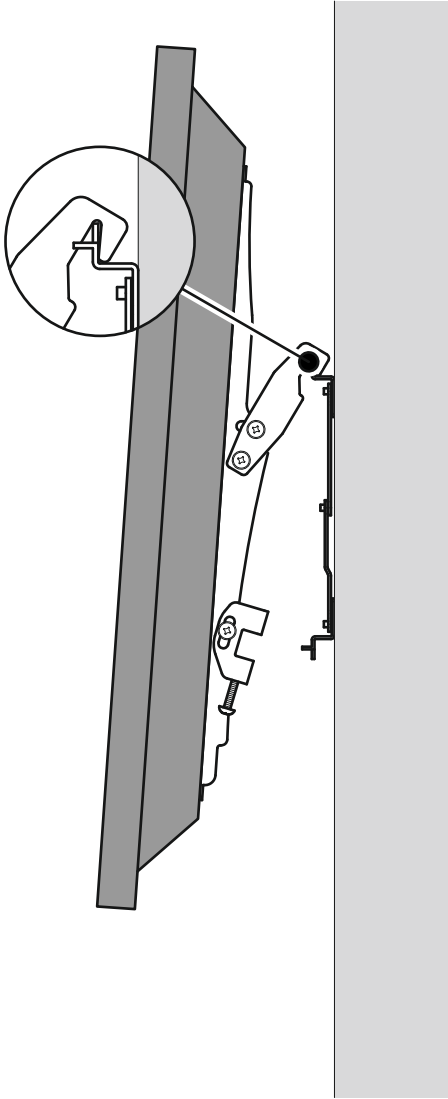


- +
- J_{x4}
- M6
- M_{x4}

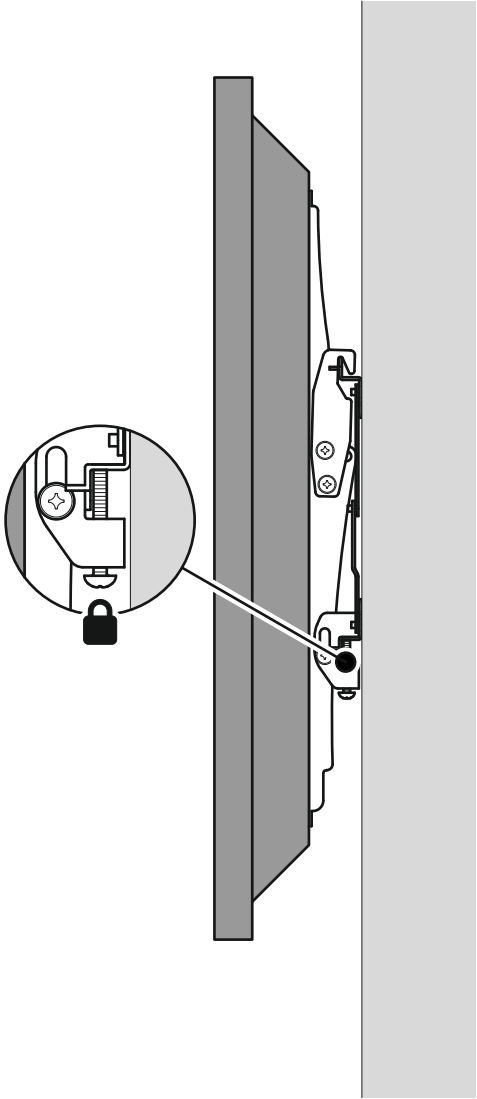
Step 4



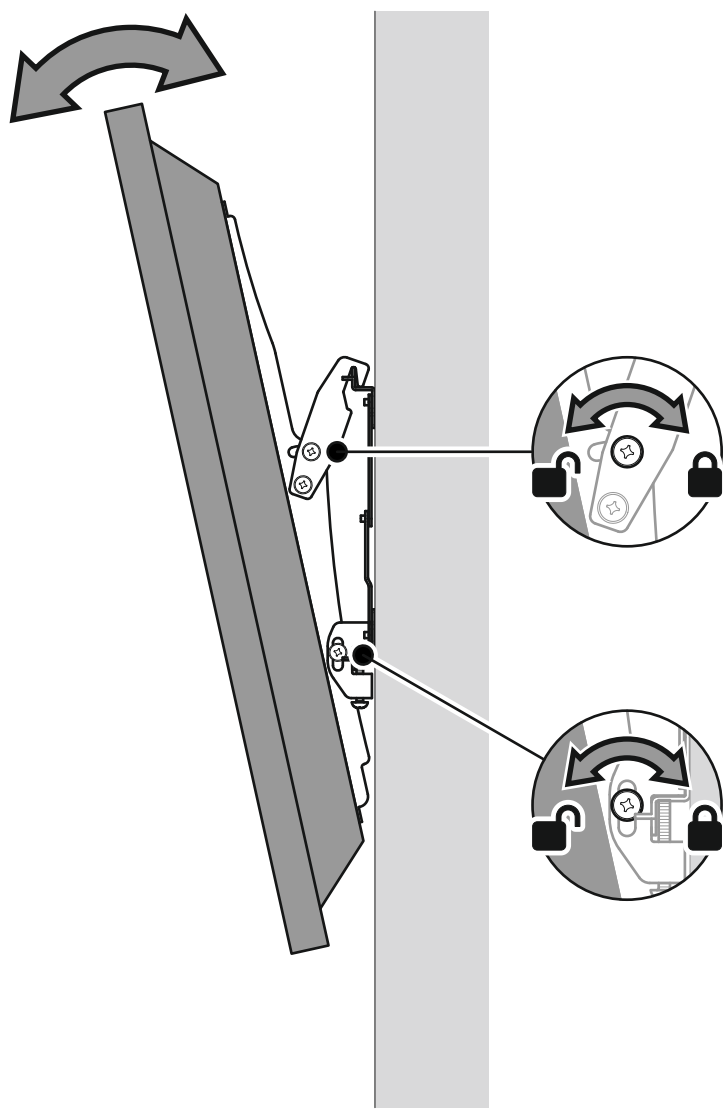
i



ii



Lock tilt



Shop online wilko.com 

wilko PROMISE

Shop with confidence. If not completely satisfied, simply return this product with the receipt, within 28 days, and we'll gladly exchange it or refund you. That's a promise. This does not affect your statutory rights.

Produced in China for Wilkinson, Roebuck Way, Manton Wood, Worksop, Nottinghamshire, S80 3YY
Careline 0333 320 7024

All measurements are approximate. Images are for illustration only.