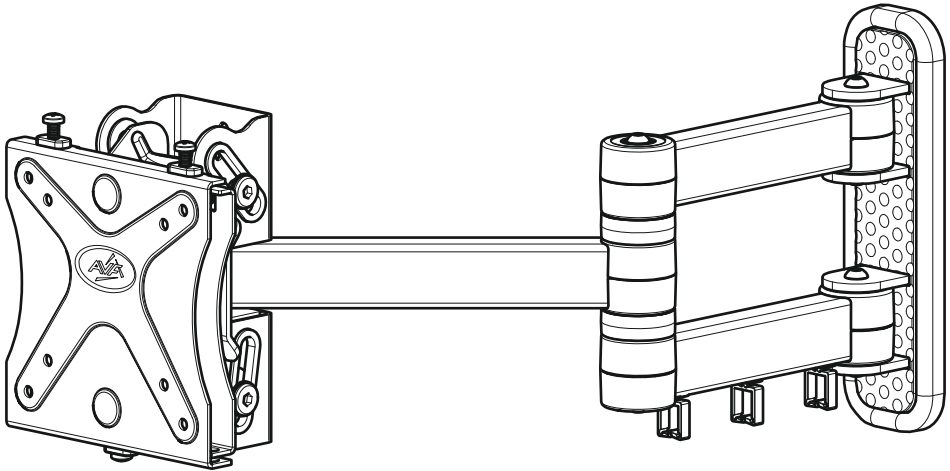


NUL204

Leaflet No. 464049 rev00



Read through ALL instructions before commencing installation.
If you have any questions about this product or issues with installation contact the customer services help line before returning this product to the store. Visit <http://te.avf.co.uk/p/nul204> for more information.

CUSTOMER SERVICES HELP LINE NUMBER:

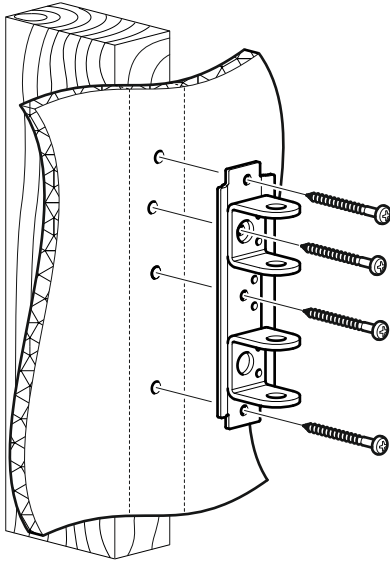
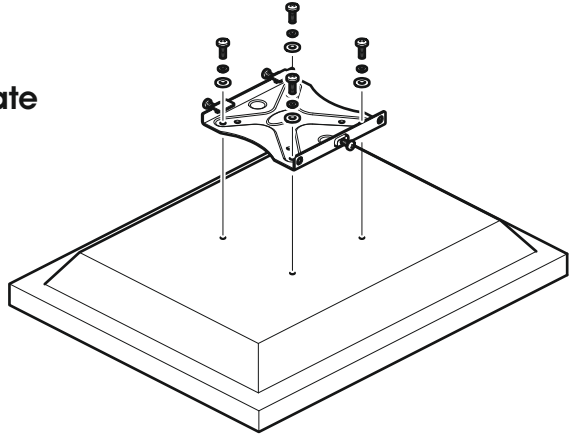
01952 670009



AVF Group Ltd. Hortonwood 30, Telford, Shropshire, TF1 7YE, England

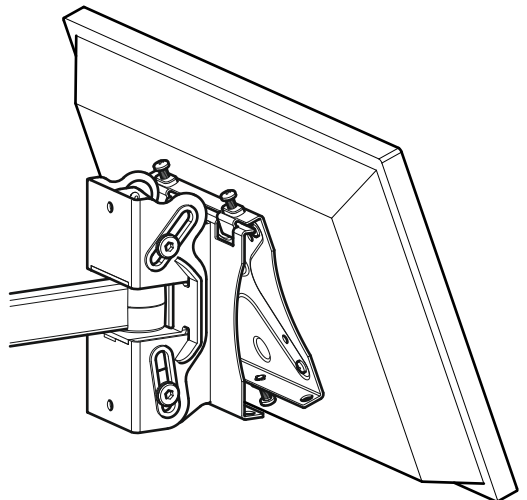
Assembly Overview

Fit the TV Mounting Plate



Fit the Wall Bracket

Attach the TV



Index

1 Measure the TV fixing holes Width and Height

2 Preparing the TV Mounting Plate

3 Fitting the TV Mounting Plate

4 Fitting the Wall Bracket

5 Arm Assembly

6 Attach the TV

Retain all packaging in case the bracket needs to be returned.

Contents may vary from photography/ Illustrations.

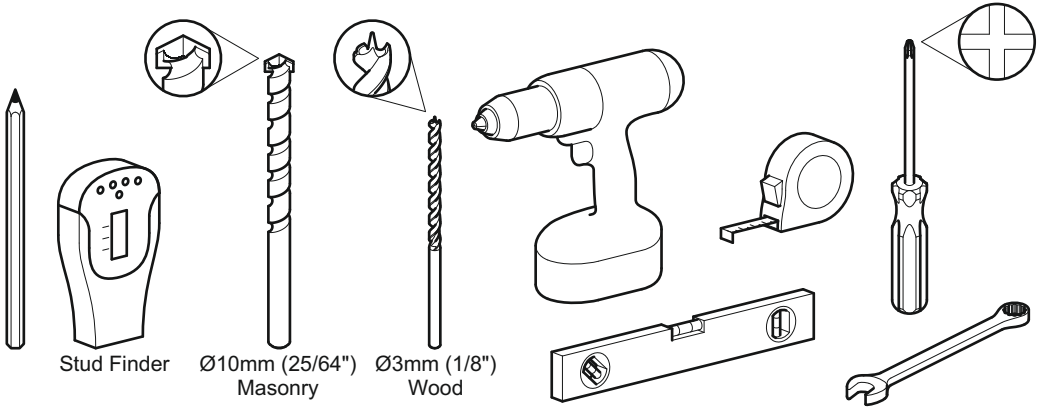
You will not need all these parts, so expect there to be some left over depending upon the specification of your TV.

This product is intended for indoor use only. Use of this product outdoors could lead to failure and personal injury.

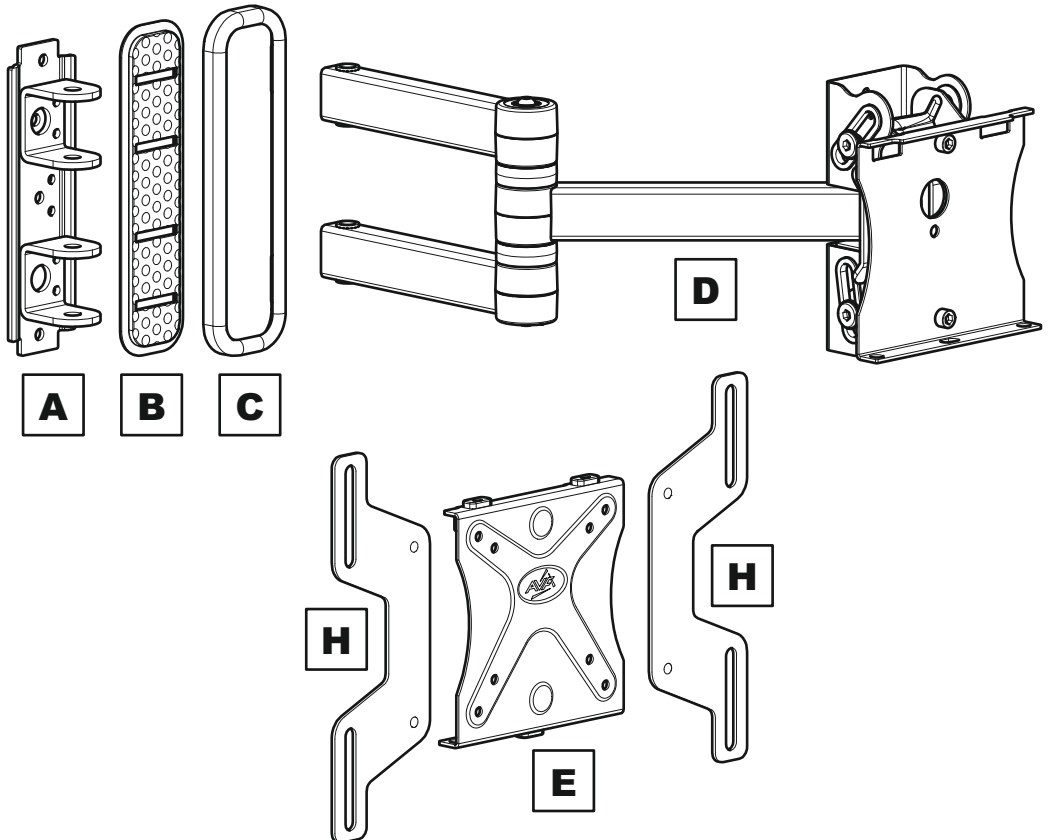
It is the responsibility of the installer to ensure that the mounting wall is of a suitable standard and void of any services (eg gas, electricity, water etc).

AVF accept no responsibility for any damage or loss caused by installing this product in a sub standard wall.

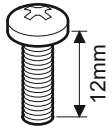
Tools Recommended



Boxed Parts

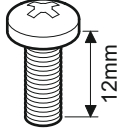


TV Screws and Reducers



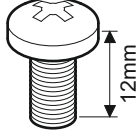
M4

P1 x4



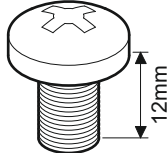
M5

P2 x4



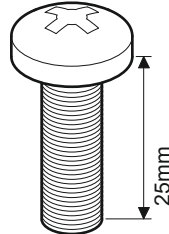
M6

P3 x4



M8

P4 x4



M8

P5 x4



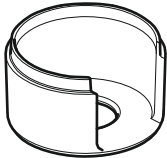
T1 x4



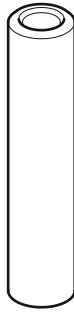
T2 x4



F x2



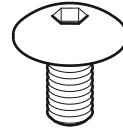
G x2



I x2



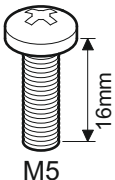
J x4



K x4



L x3

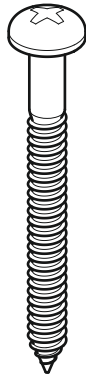


M5

N x3



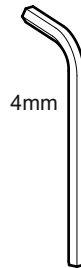
O x4



Q x4



R x4



4mm

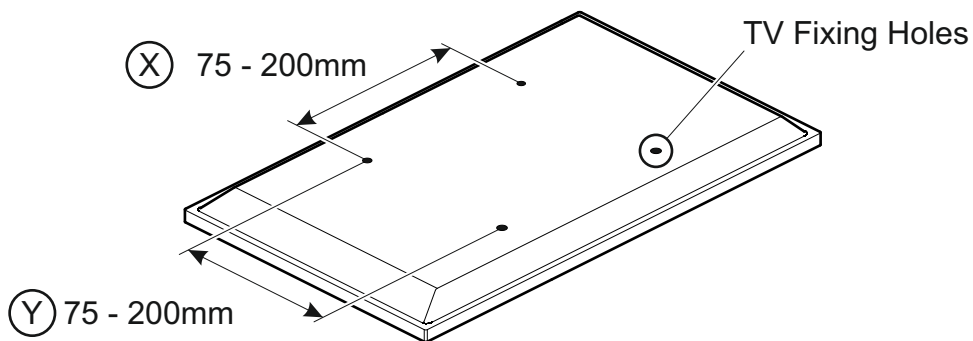
S1 x2




5mm

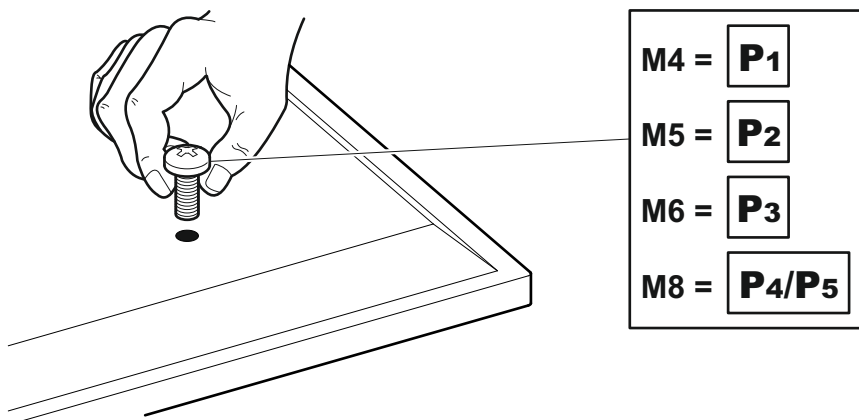
S2 x2

1 Measure the TV fixing holes Width and Height



 If width (X) is greater than 200mm or height (Y) greater than 200mm STOP installation now and contact the customer help line

You are provided with 4 diameters of TV fixing screws, **M4**, **M5**, **M6** and **M8**. Determine the screw diameter that fits and remember for step 3.



2

Preparing the TV Mounting Plate

Use the option that fits your TV

OPTION 1

TV Fixing Hole Sizes

- ⊗ 75mm x ⊙ 75mm
- ⊗ 100mm x ⊙ 100mm

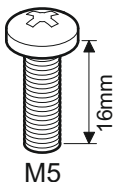
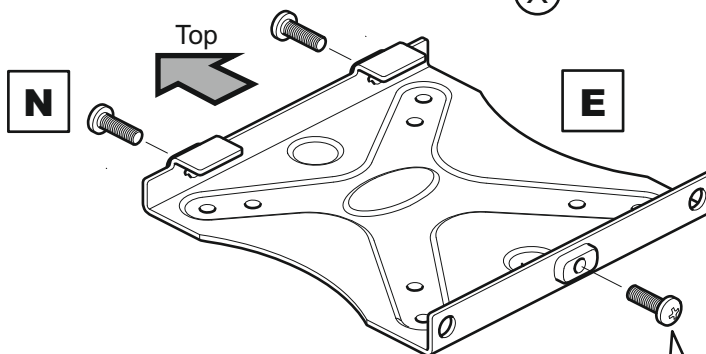
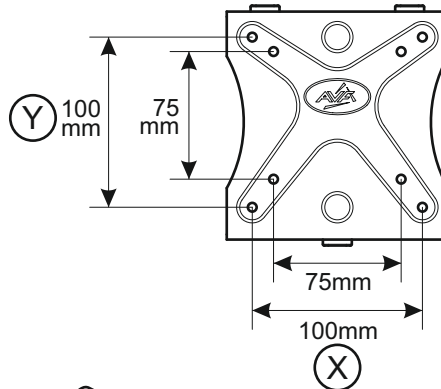
OPTION 2

TV Fixing Hole Sizes

- ⊗ 200mm x ⊙ 100mm - 200mm

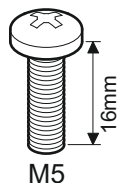
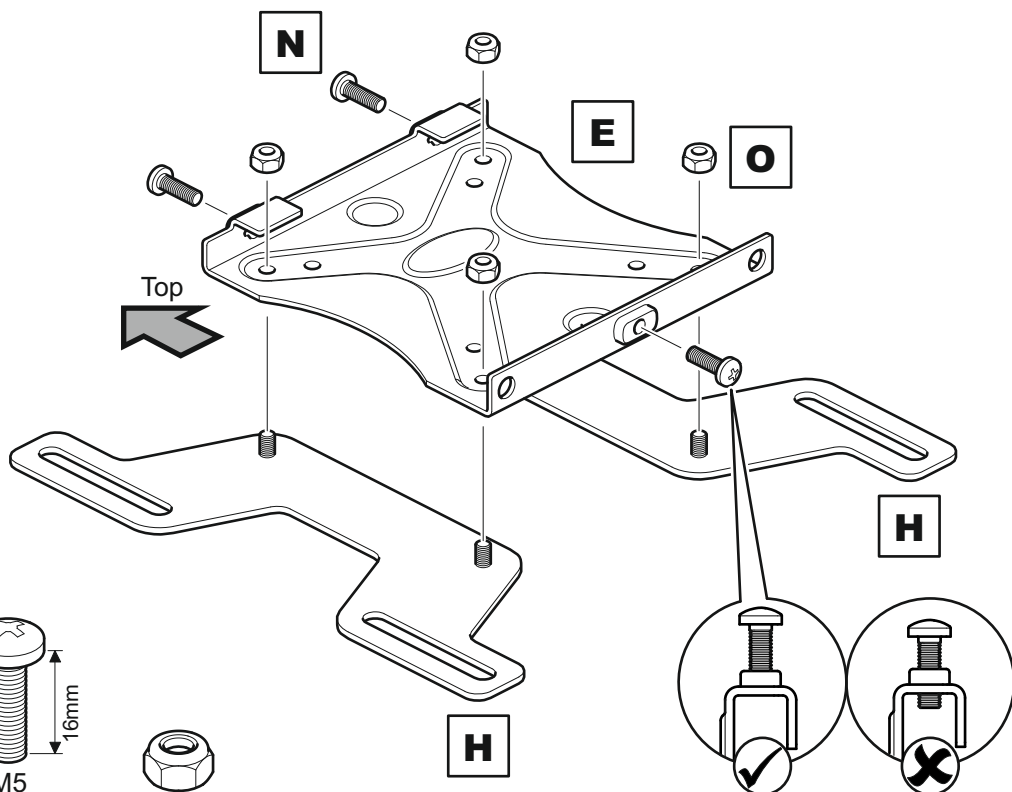
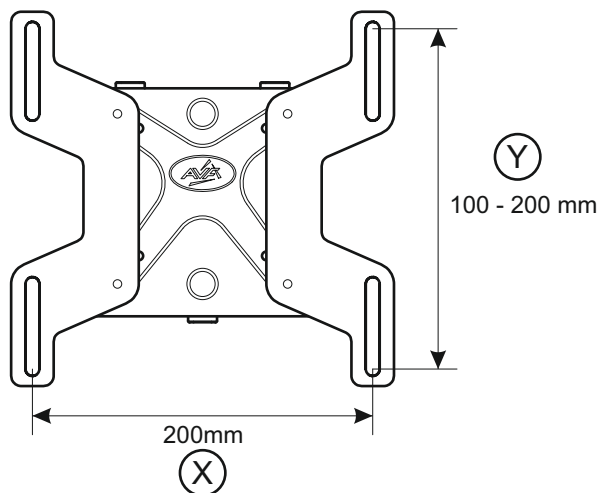
If in any doubt please call the customer help line.

OPTION 1



N x3

OPTION 2



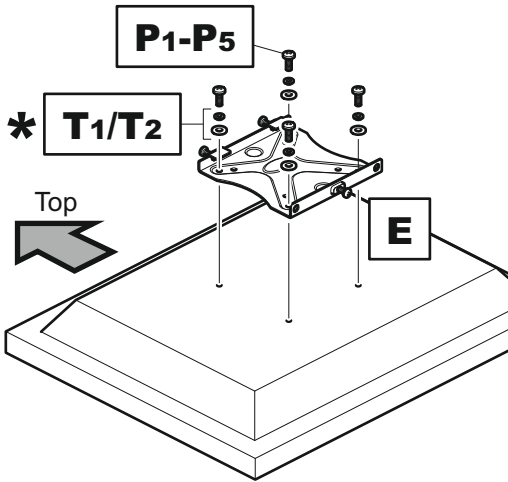
N x3

O x4

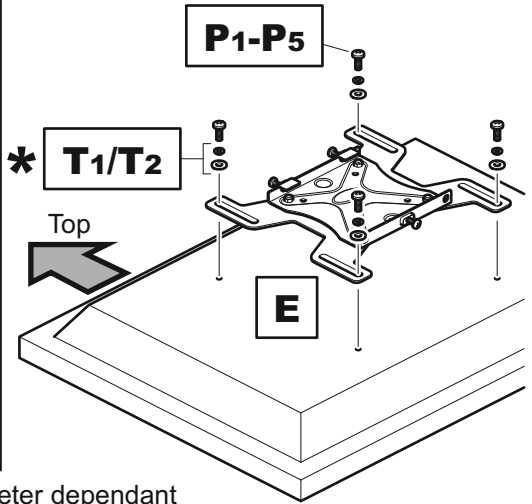
3

Fitting the TV Mounting Plate

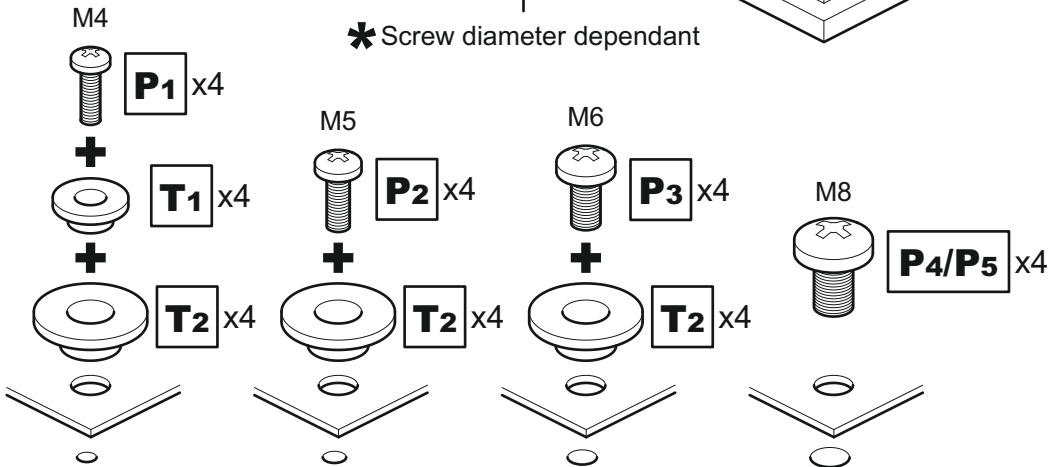
OPTION 1



OPTION 2

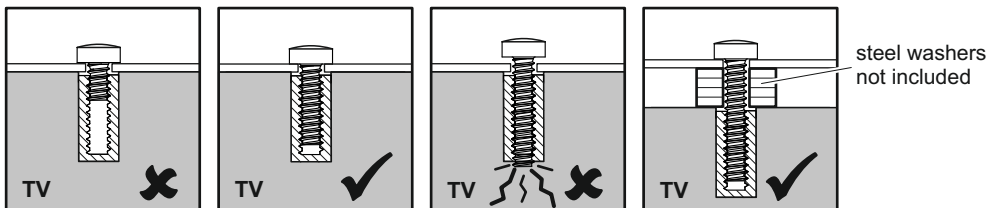


* Screw diameter dependant



Attach the bracket to the back of your TV using suitable screw, and reducer combinations.

WARNING

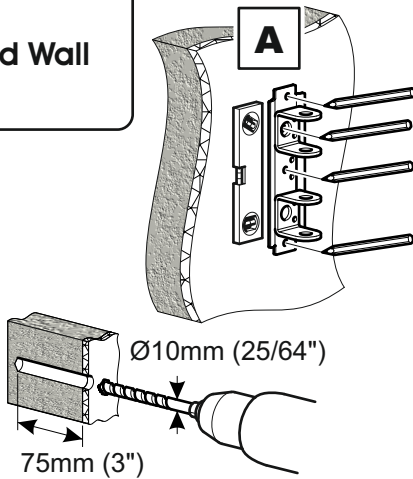


After completing step 3 you will have fittings left over, please keep for future reference

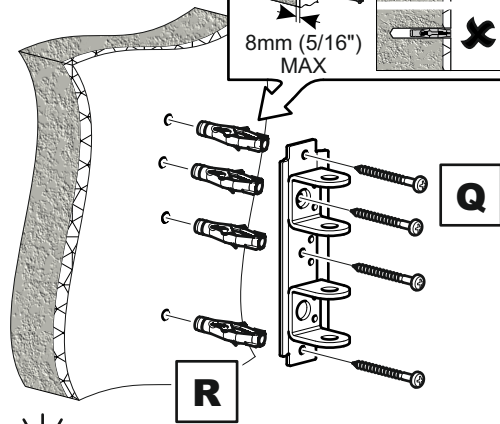
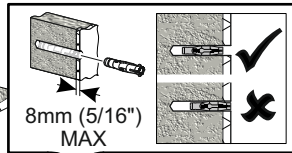
4

Fitting the Wall Bracket

Solid Wall



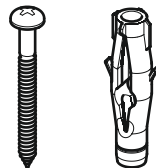
Remove dust from hole



Lubricate screw thread with soap.

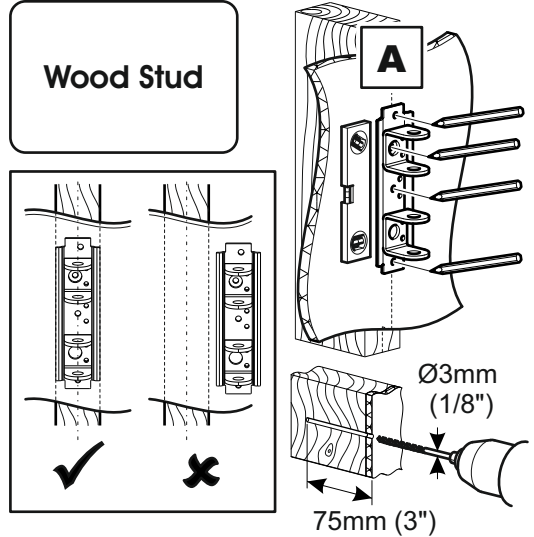


DO NOT over tighten screws. Tighten screws by hand only.

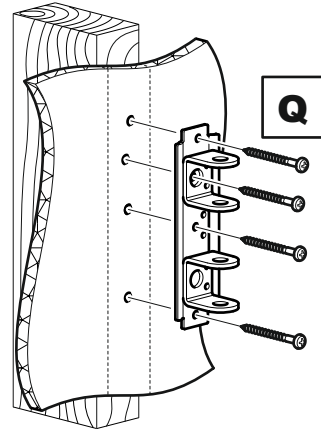


Q x4 **R** x4

Wood Stud



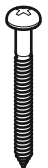
Ensure bracket is in the centre of the wood stud.



Lubricate screw thread with soap.



DO NOT over tighten screws. Tighten screws by hand only.

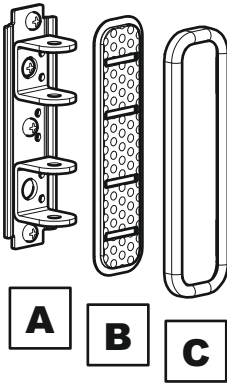


Q x4

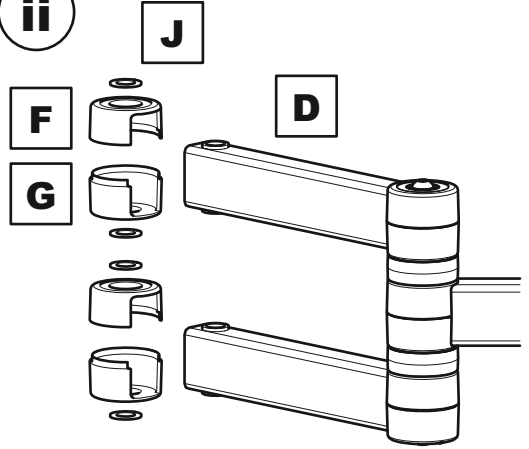
5

Arm Assembly

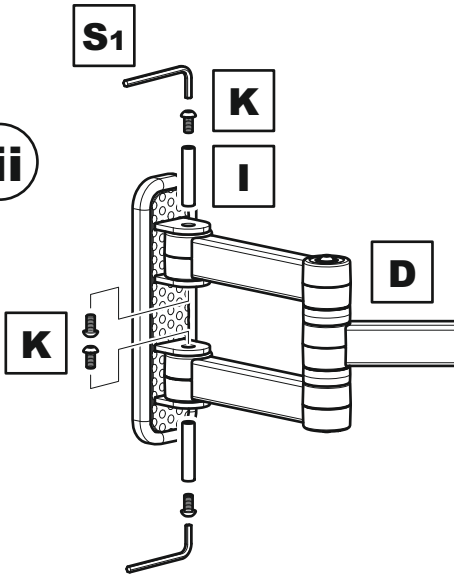
i



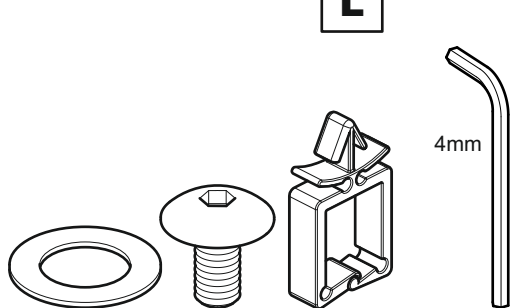
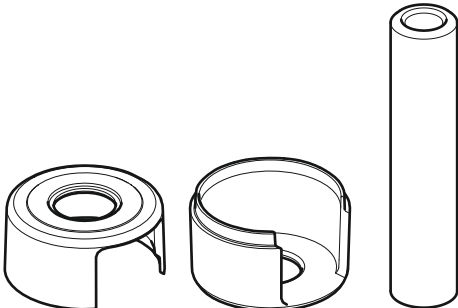
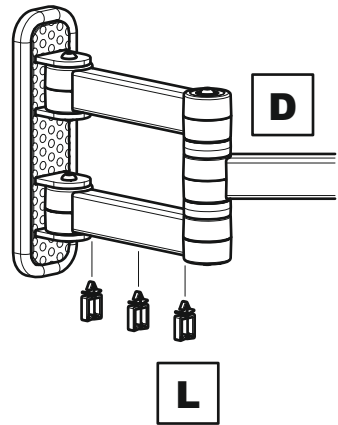
ii



iii



iv



F x2

G x2

I x2

J x4

K x4

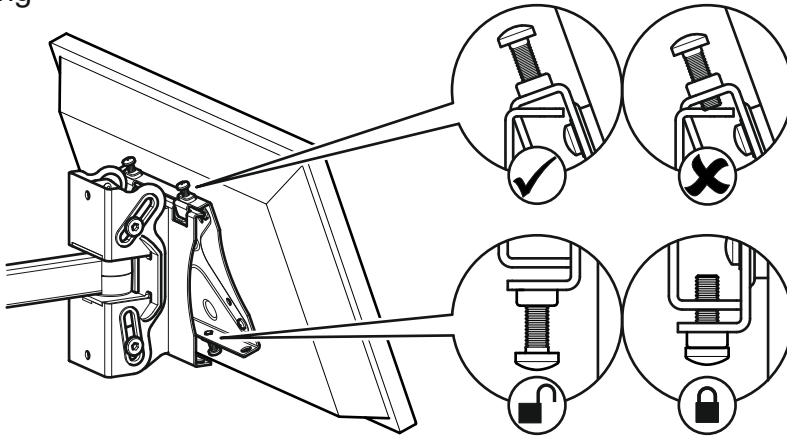
L x3

S1 x2

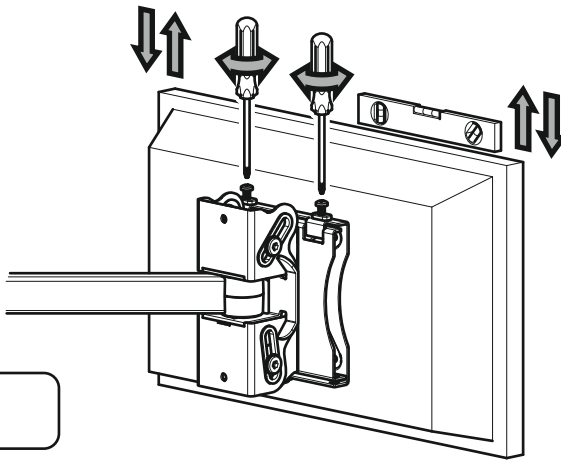
6

Attach the TV

Attaching

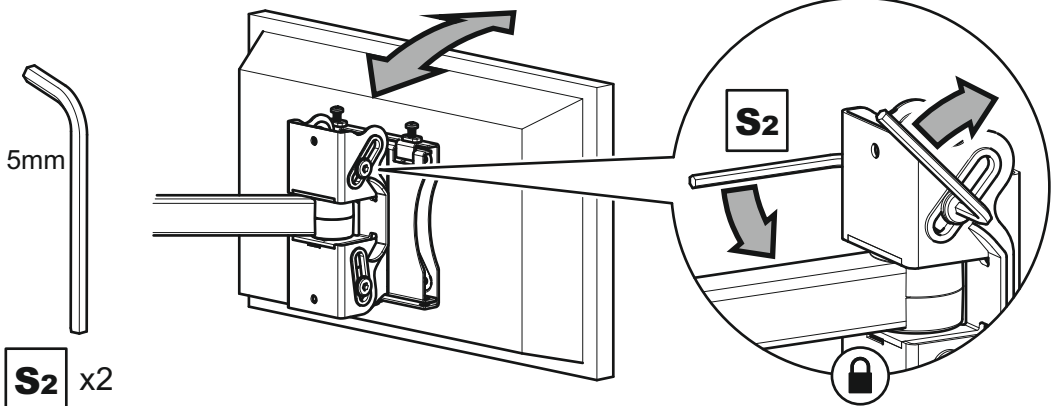


TV Levelling



Optional

Lock Tilt



S2 x2