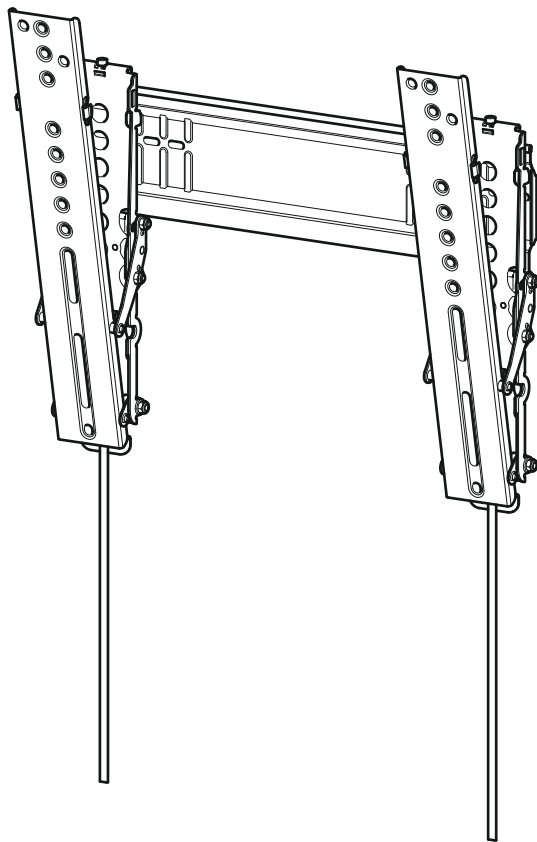


JZL4701

Leaflet No. **464012** rev03



*Read through **ALL** instructions before commencing installation. If you have any questions about this product or issues with installation contact the customer services helpline before returning this product to the store. See jl.avfgroup.com/p/jzl4701 for more information.*

CUSTOMER SERVICES HELP LINE NUMBER:

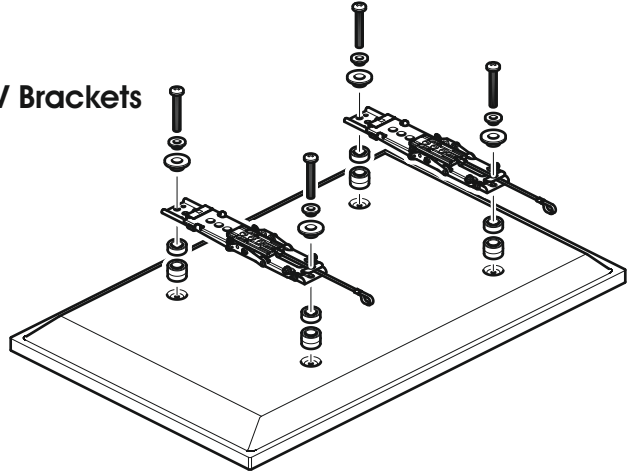
01952 670009



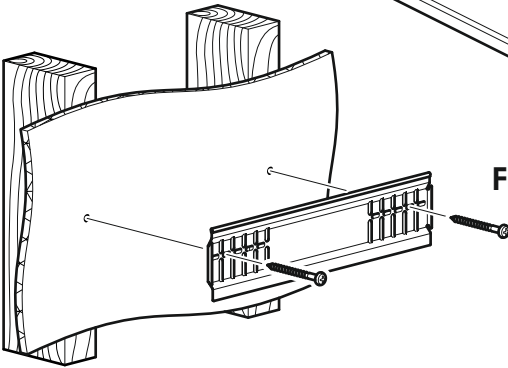
AVF Group Ltd. Hortonwood 30, Telford, Shropshire, TF1 7YE, England

Assembly Overview

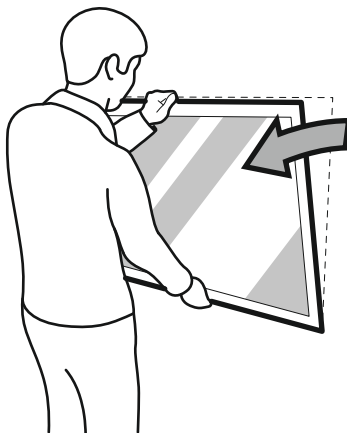
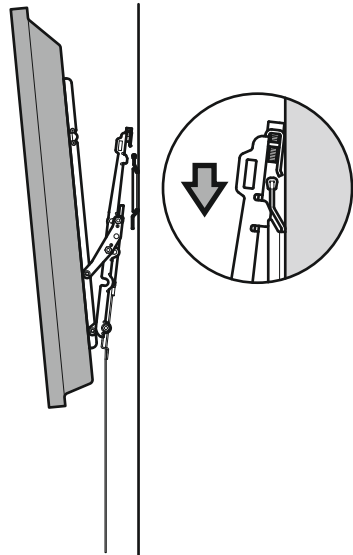
Fit the TV Brackets



Fit the Wall Bracket



Connect the TV



Tilt (if required)

Index

1 Measure the TV fixing holes Width and Height

2 Preparing the TV Brackets

3 Fitting the TV Brackets

4 Fitting the Wall Bracket

5 Connecting the TV

Retain all packaging in case the bracket needs to be returned.

Contents may vary from photography/ Illustrations.

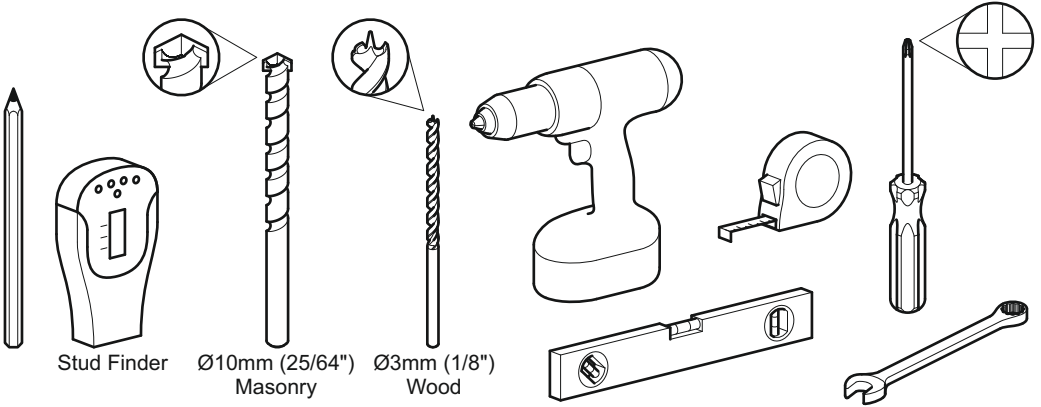
You will not need all these parts, so expect there to be some left over depending upon the specification of your TV.

This product is intended for indoor use only. Use of this product outdoors could lead to failure and personal injury.

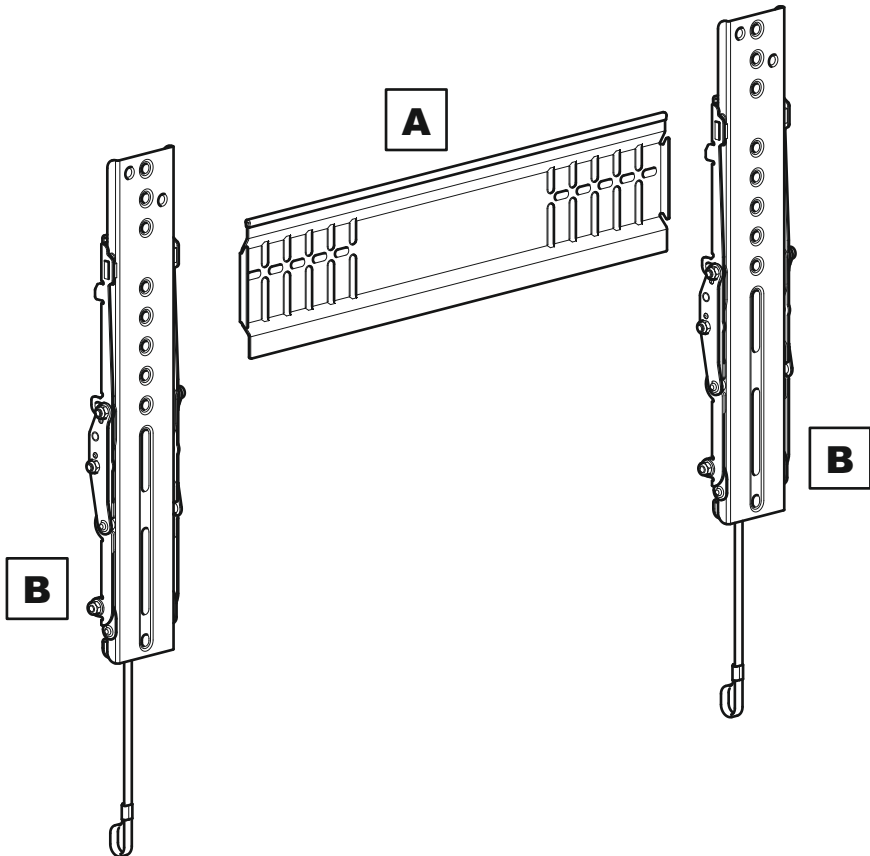
It is the responsibility of the installer to ensure that the mounting wall is of a suitable standard and void of any services (eg gas, electricity, water etc).

AVF accept no responsibility for any damage or loss caused by installing this product in a sub standard wall.

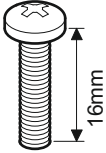
Tools Recommended



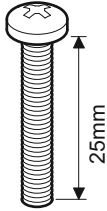
Boxed Parts



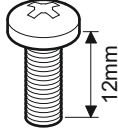
TV Screws, Reducers and Spacers



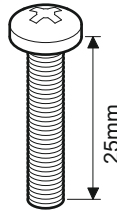
M4
D1 x4



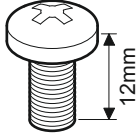
M4
D2 x4



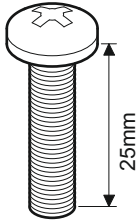
M5
D3 x4



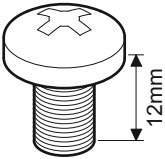
M5
D4 x4



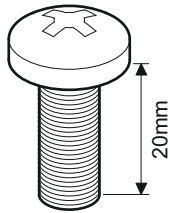
M6
D5 x4



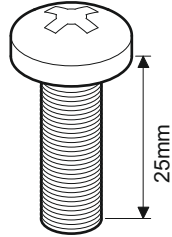
M6
D6 x4



M8
D7 x4



M8
D8 x4



M8
D9 x4



E1 x4



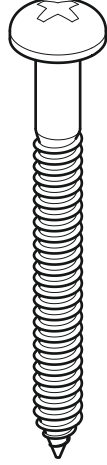
E2 x4



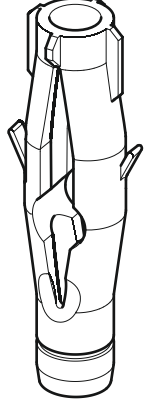
F1 x4



F2 x4



J x4

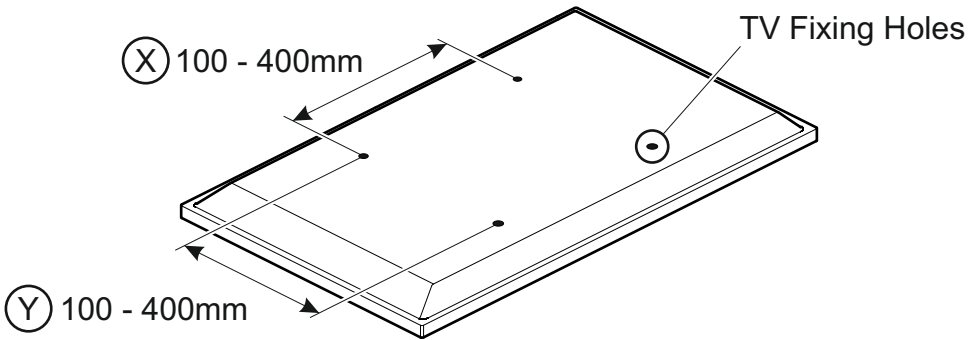


K x4

4mm

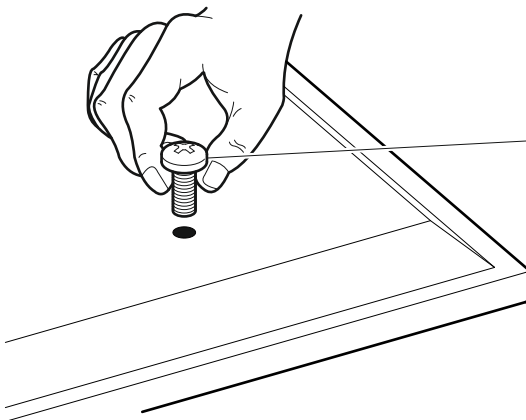


L x1

1**Measure the TV fixing holes Width and Height**

If width **X** is greater than 400mm or height **Y** greater than 400mm
STOP installation now and contact the customer help line

You are provided with 4 diameters of TV fixing screws, **M4**, **M5**, **M6** and **M8**. Determine the screw diameter that fits and remember for step 3.

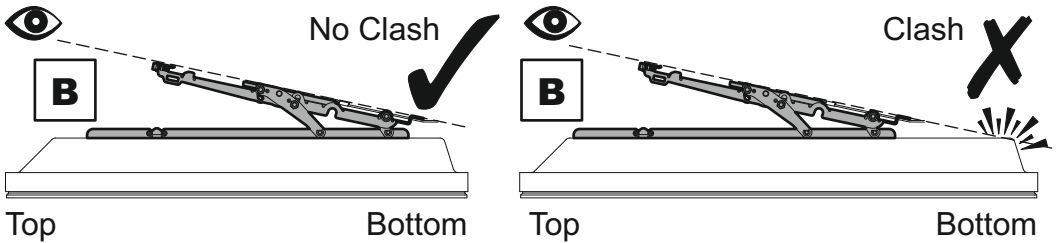


M4 =	D1/D2
M5 =	D3/D4
M6 =	D5/D6
M8 =	D7-D9

2

Preparing the TV Brackets

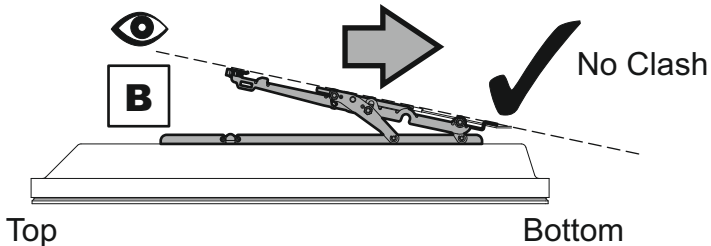
To ensure maximum tilt is possible after installation you will need to ensure that your TV does not clash with the wall.



If a clash is observed you have 2 options:

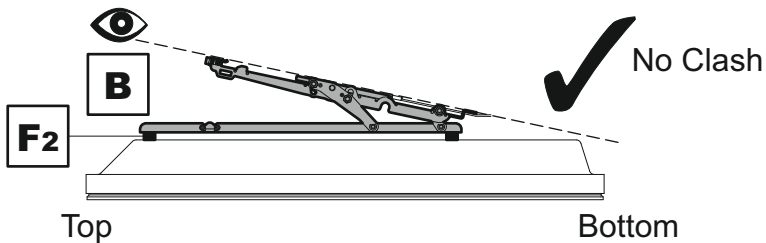
Option 1

Move Bracket **B** closer to the bottom of your TV



Option 2

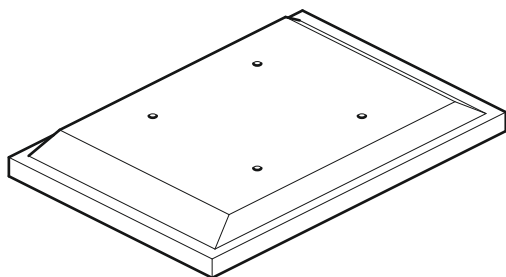
Use spacers **F2** to raise Bracket **B**



3 Fitting the TV Brackets

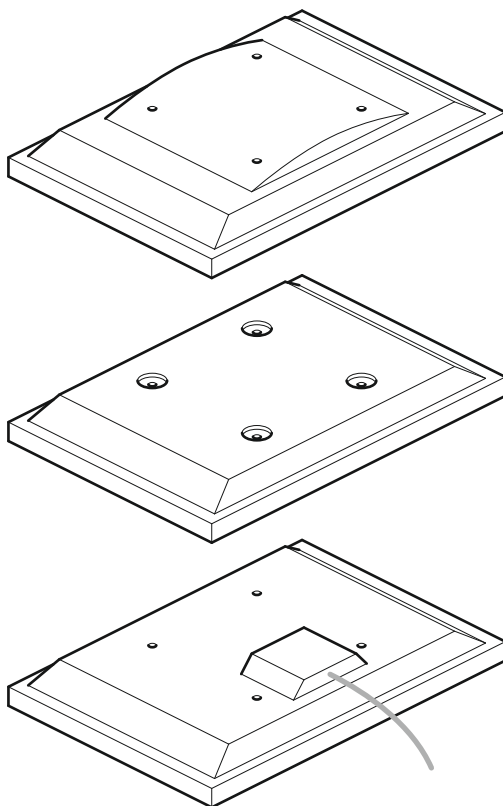
No Spacers

For Tvs with flat/unobstructed back

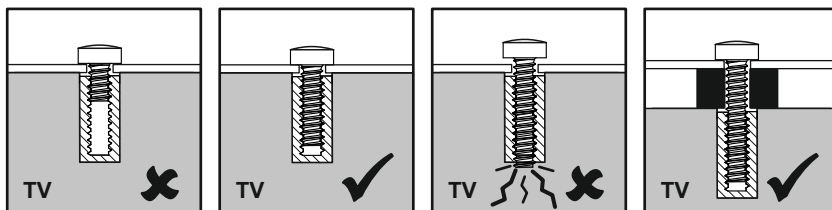


Spacer **F1/F2**

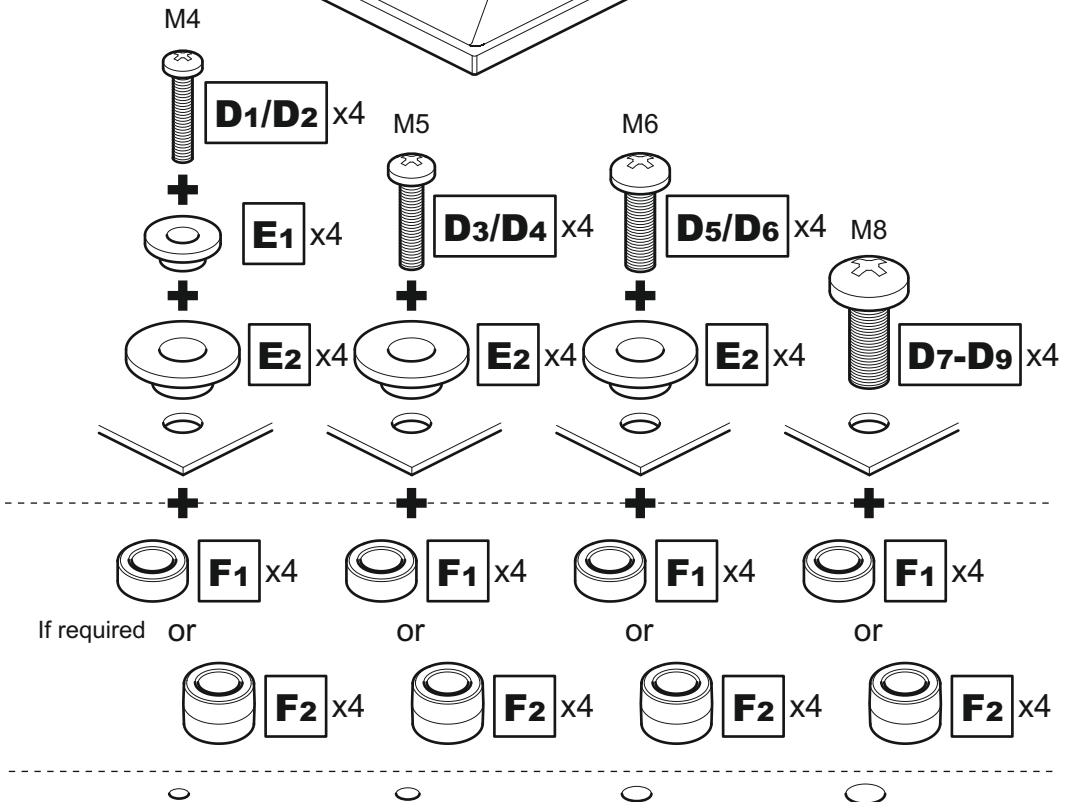
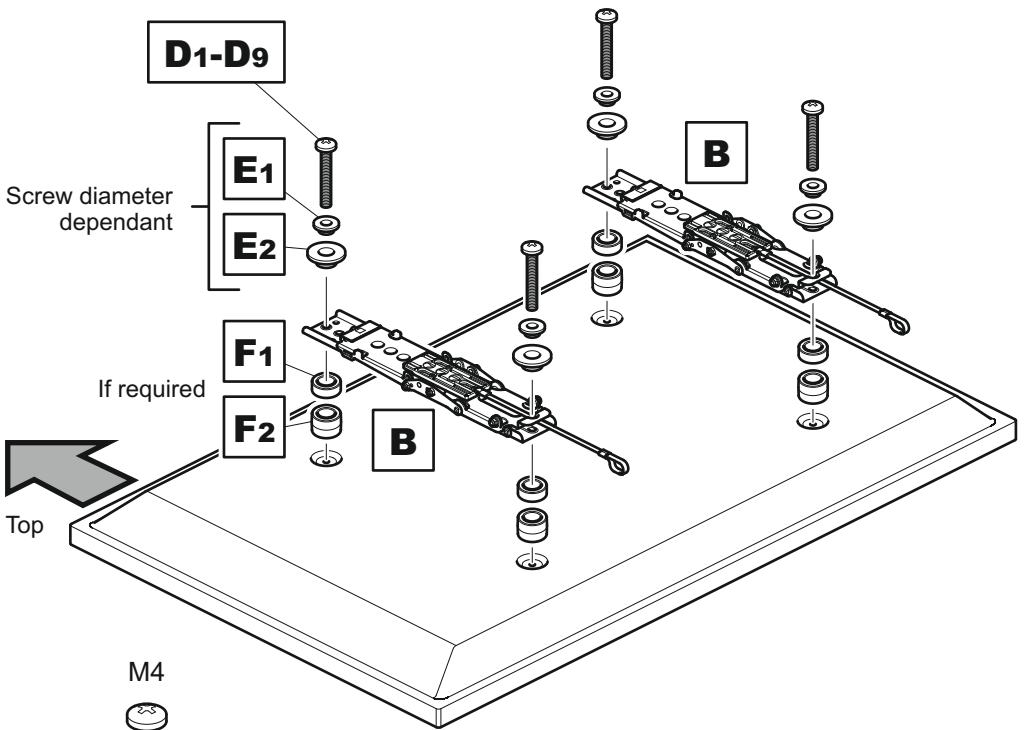
For Tvs with irregular/obstructed back



WARNING



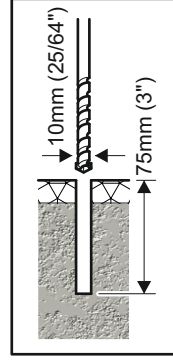
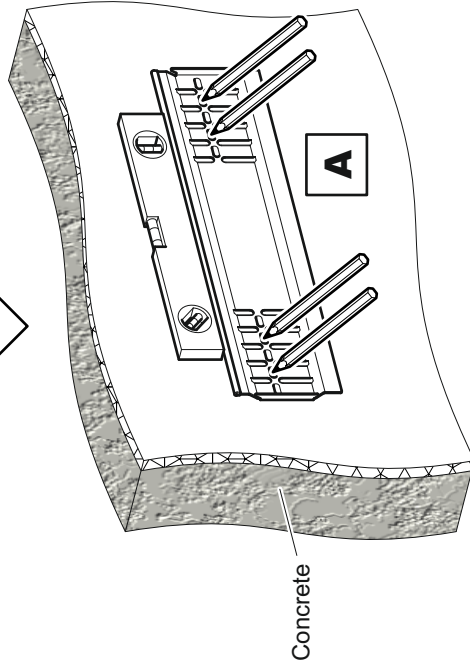
After completing step 3 you will have fittings left over, please keep for future reference



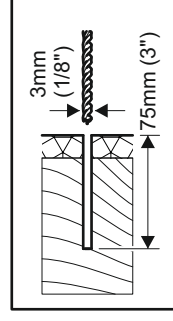
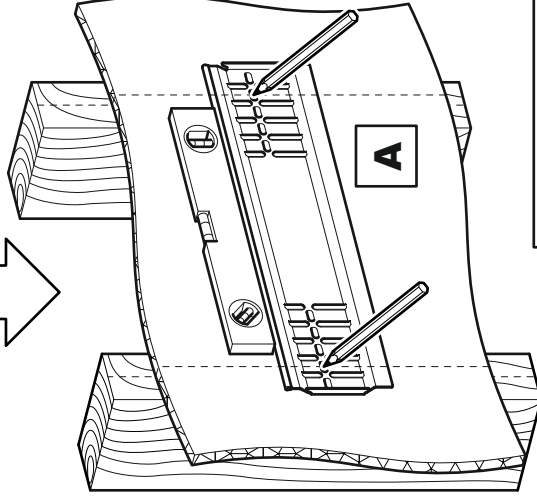
Attach the bracket to the back of your TV using suitable screw, reducer and spacer combinations.

4 Fitting the Wall Bracket

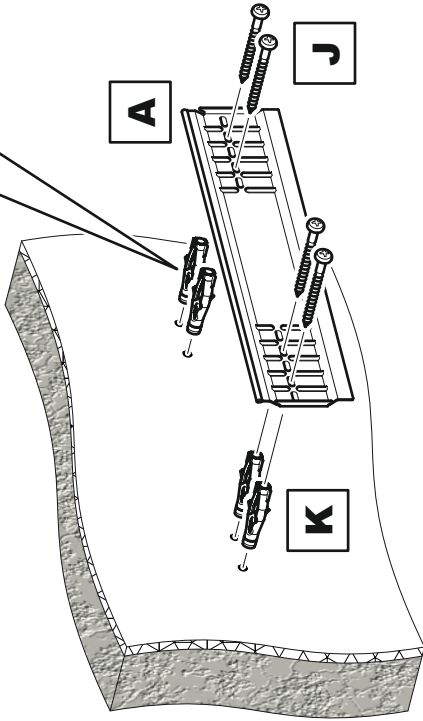
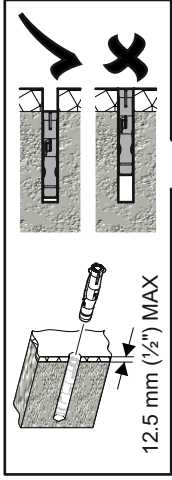
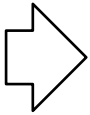
Solid Wall



Wood Stud



Ensure bracket is in the centre of the wood stud



Lubricate screw
thread with soap



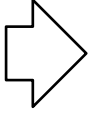
DO NOT over tighten screws
Tighten screws by hand only



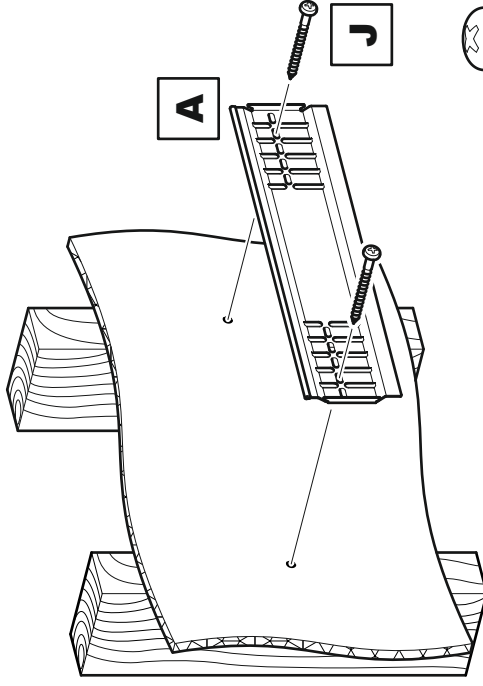
x4



x4



Lubricate screw
thread with soap



DO NOT over tighten screws
Tighten screws by hand only

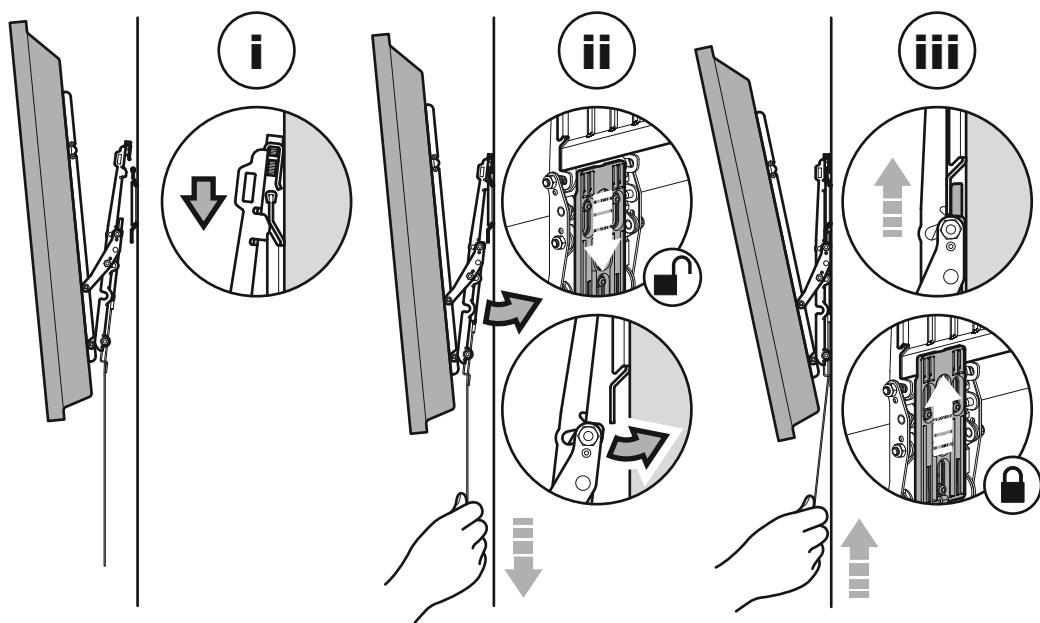


x4

5

Connecting the TV

Attaching



TV Levelling

