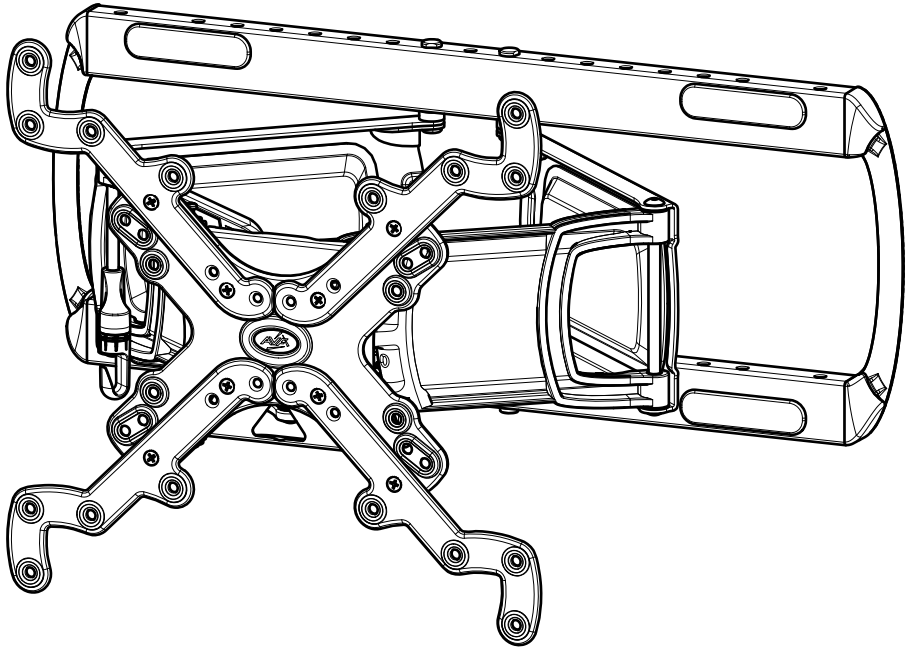


JNL655

Leaflet No. **463998** rev00



*Read through **ALL** instructions before commencing installation. If you have any questions about this product or issues with installation contact the customer services helpline before returning this product to the store. See jl.avfgroup.com/p/jnl655 for more information.*

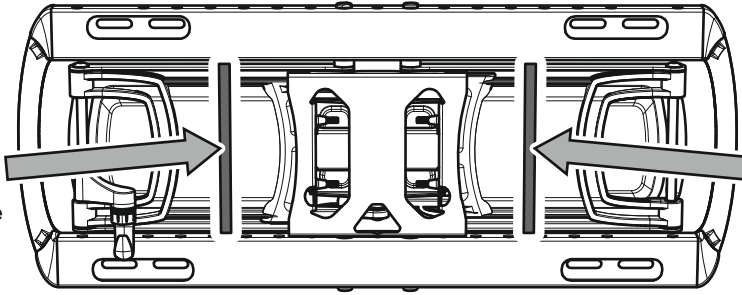
CUSTOMER SERVICES HELP LINE NUMBER:

01952 670009



AVF Group Ltd. Hortonwood 30, Telford, Shropshire, TF1 7YE, England


Do Not remove
until step 6



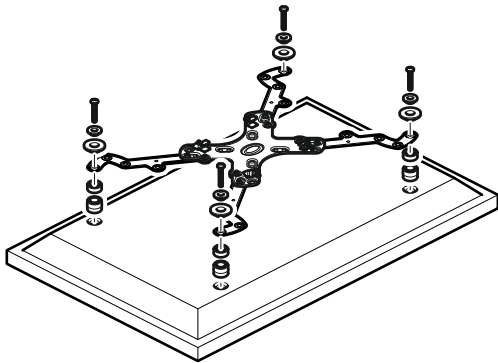

Do Not remove
until step 6

Assembly Overview

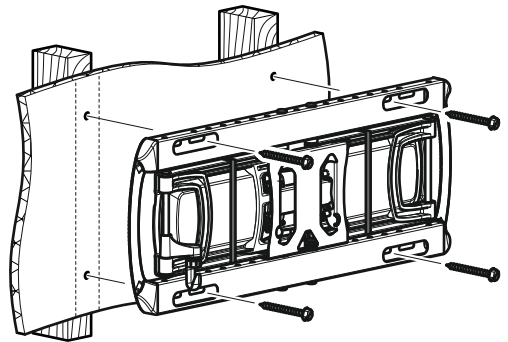


2 Person Installation Recommended

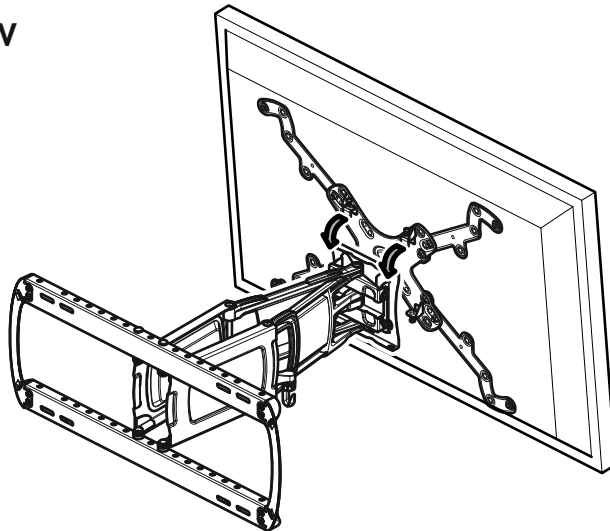
Fit the TV Mounting Plate



Fit the Wall Bracket



Connect the TV



Index

1 Measure the TV fixing holes Width and Height

2 Preparing the Front Adaptor Plate

3 Preparing the TV Mounting Plate

4 Fitting the TV Mounting Plate

5 Fitting the Wall Bracket

6 Fitting the Wall Bracket Covers

7 Connecting the TV

8 Cable Management

Retain all packaging in case the bracket needs to be returned.

Contents may vary from photography/ Illustrations.

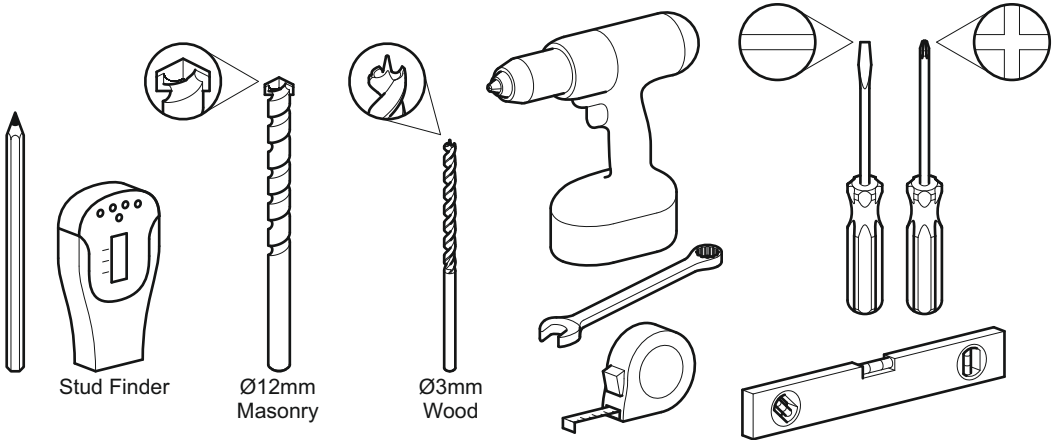
You will not need all these parts, so expect there to be some left over depending upon the specification of your TV.

This product is intended for indoor use only. Use of this product outdoors could lead to failure and personal injury.

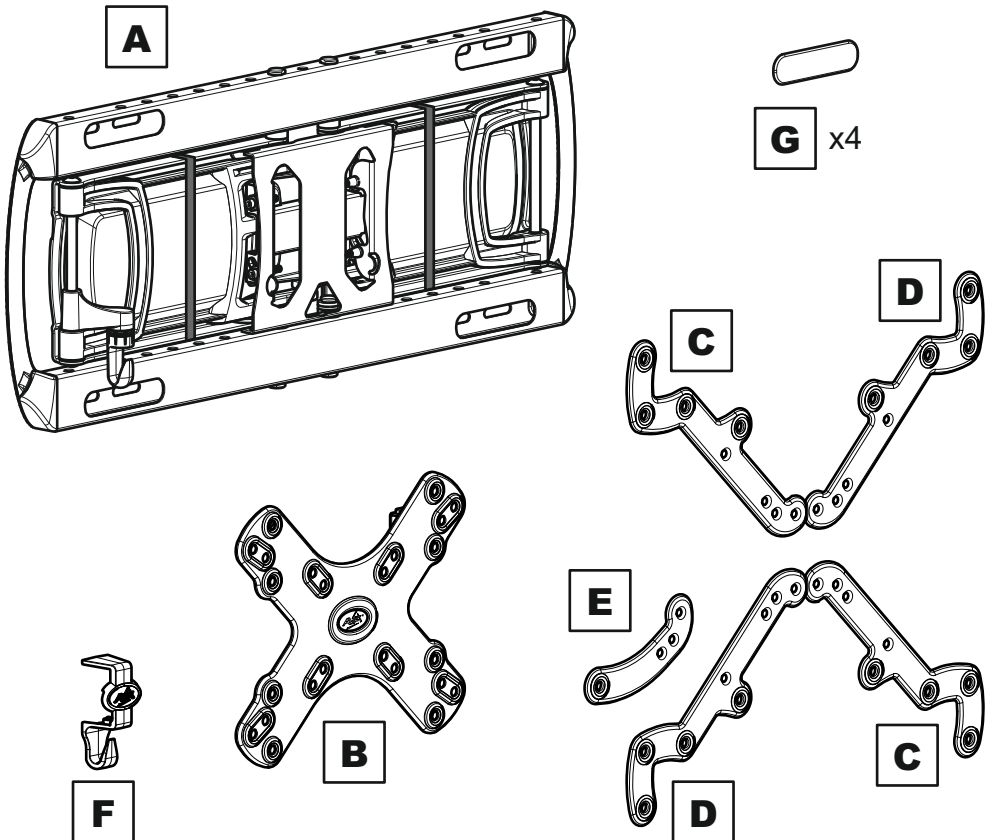
It is the responsibility of the installer to ensure that the mounting wall is of a suitable standard and void of any services (eg gas, electricity, water etc).

AVF accept no responsibility for any damage or loss caused by installing this product in a sub standard wall.

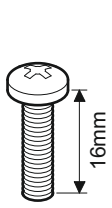
Tools Recommended



Boxed Parts

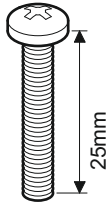


TV Screws, Reducers and Spacers



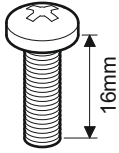
M4

L1 x4



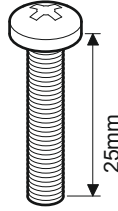
M4

L2 x4



M5

L3 x8



M5

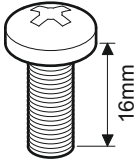
L4 x4



J1 x12

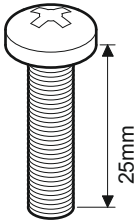


J2 x4



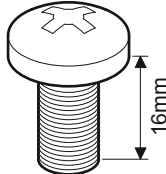
M6

L5 x4



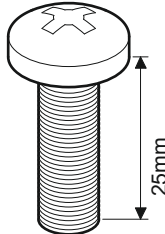
M6

L6 x4



M8

L7 x4



M8

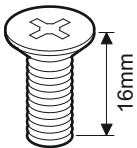
L8 x4



K1 x4



K2 x4

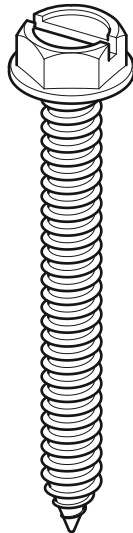


M6

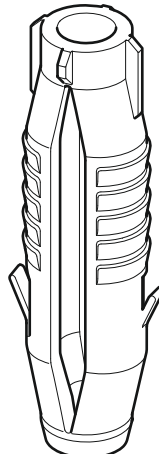
H x8



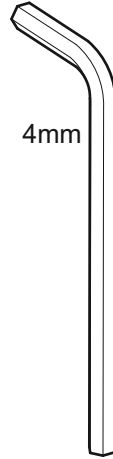
I x8



M x6



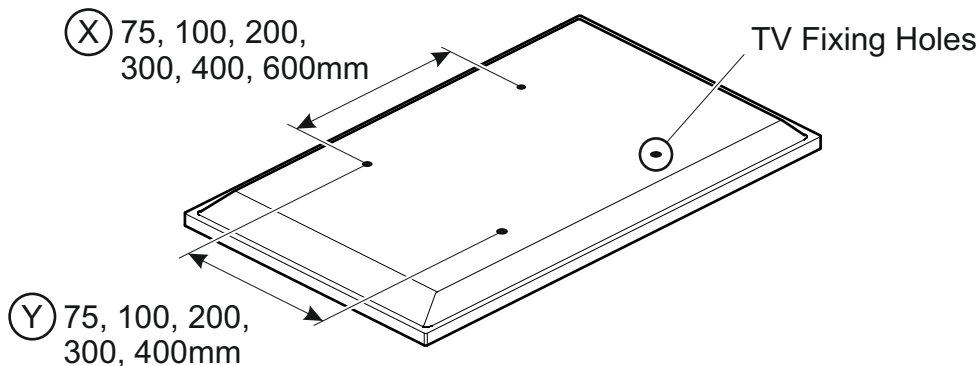
N x6



O x1

1

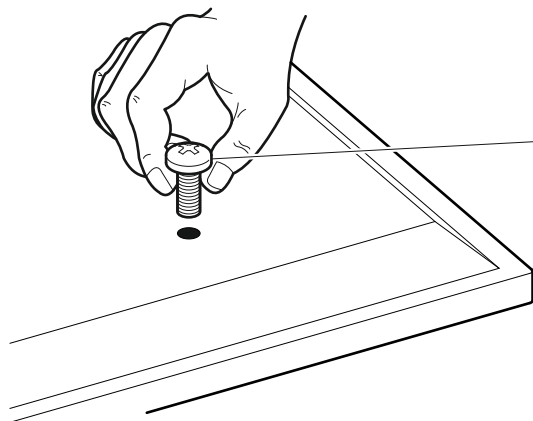
Measure the TV fixing holes Width and Height



If width (X) is not equal to 75, 100, 200, 300, 400 or 600mm or height (Y) is not equal to 75, 100, 200, 300, 400mm

STOP installation now and contact the customer help line

You are provided with 4 diameters of TV fixing screws, **M4**, **M5**, **M6** and **M8**. Determine the screw diameter that fits and remember for step 4.



M4 = L1-L2

M5 = L3-L4

M6 = L5-L6

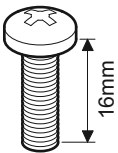
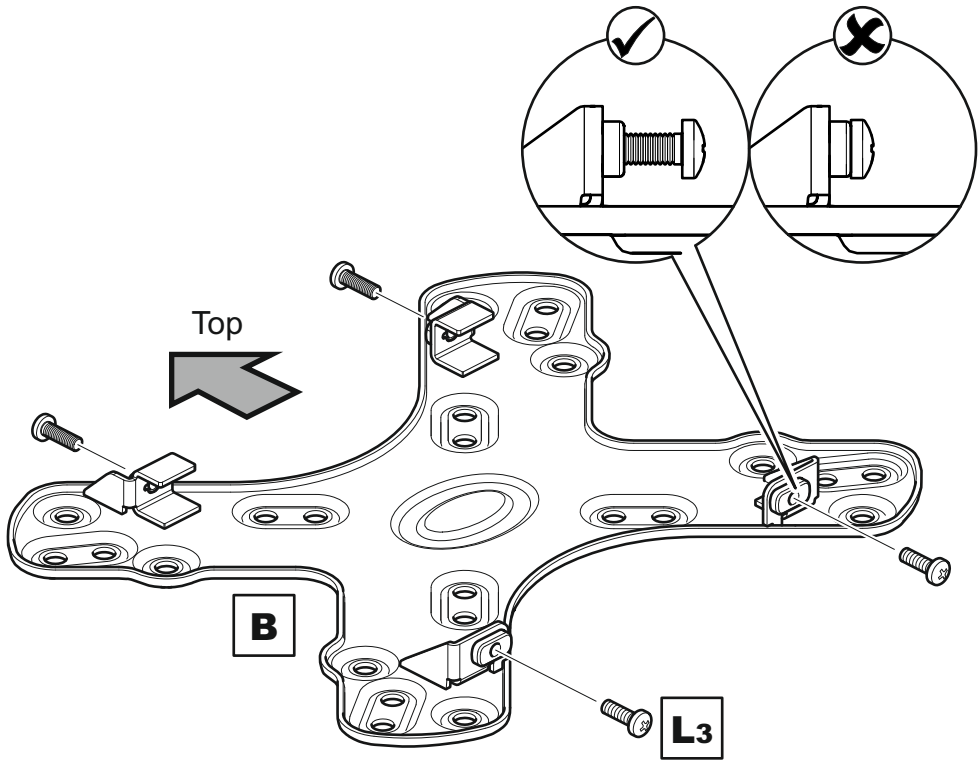
M8 = L7-L8



After completing step 4 you will have fittings left over, please keep for future reference

2

Preparing the Front Adaptor Plate



M5

L3 x4

3

Preparing the TV Mounting Plate

Use the option that fits your TV.
Do not fully tighten.

OPTION 1

(X) = 75, 100, 200mm

(Y) = 75, 100, 200mm

OPTION 2

(X) = 400mm

(Y) = 200mm

OPTION 3

(X) = 300 or 400mm

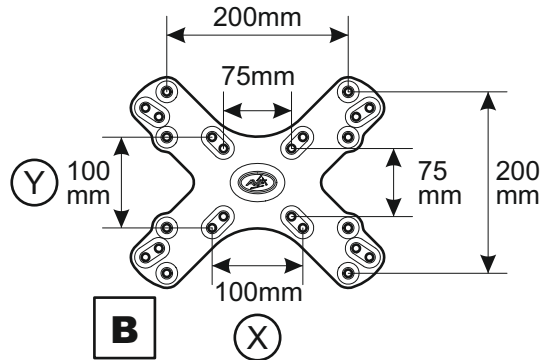
(Y) = 300 or 400mm

OPTION 4

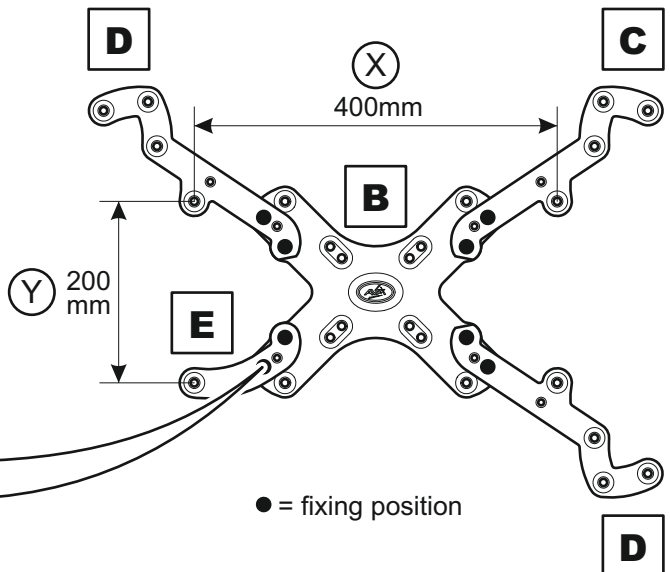
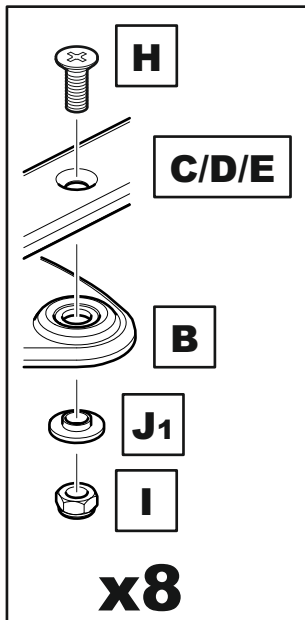
(X) = 600mm

(Y) = 400mm

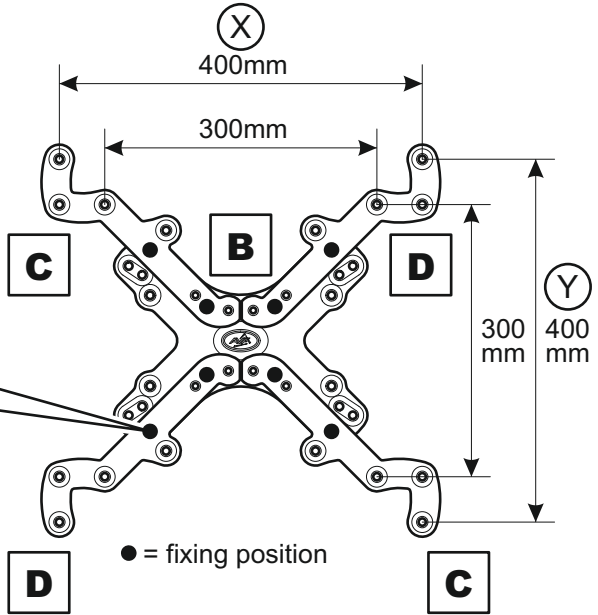
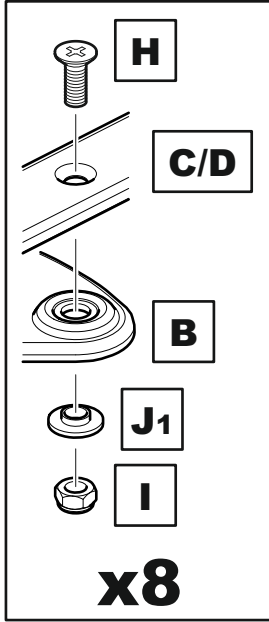
OPTION 1



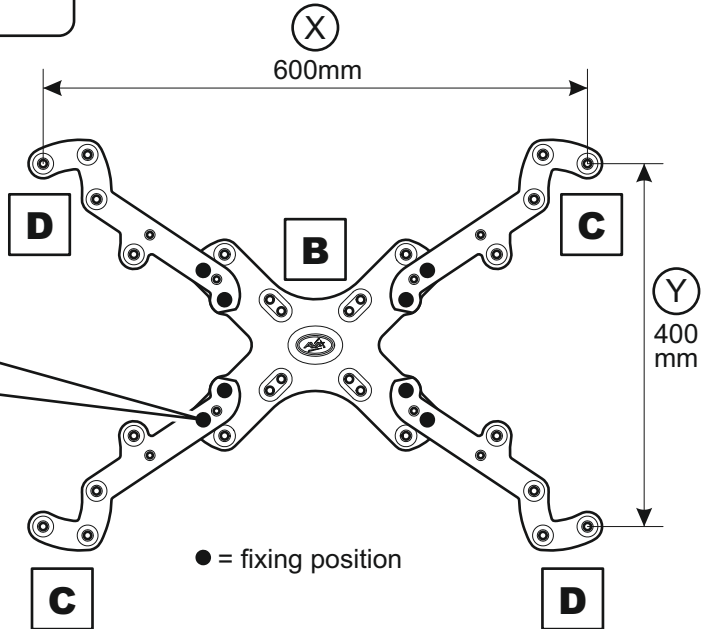
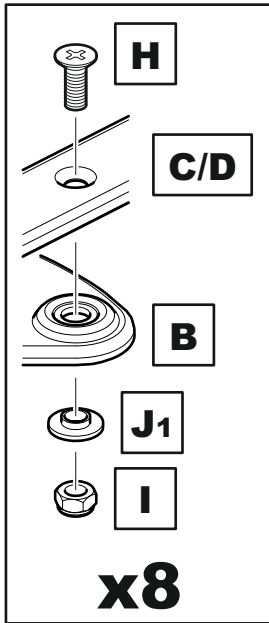
OPTION 2



OPTION 3

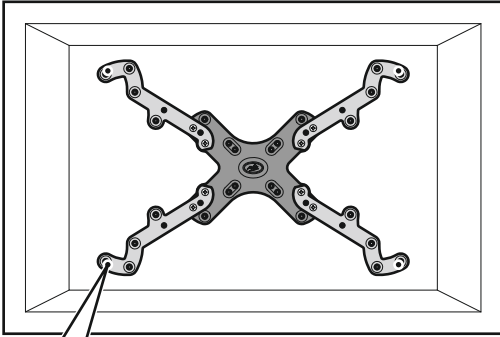


OPTION 4

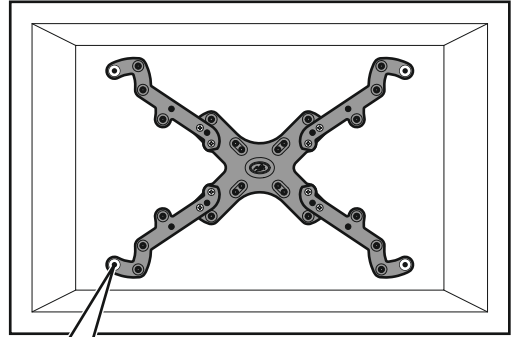


4 Fitting the TV Mounting Plate

Before you fully tighten the TV mounting plate please check that the mounting plate holes line up with the fixing holes on the back of your TV.



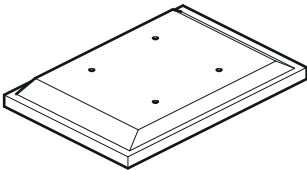
Holes do not line up and small adjustment is required before you fully tighten



Holes line up and no adjustment is required before you fully tighten

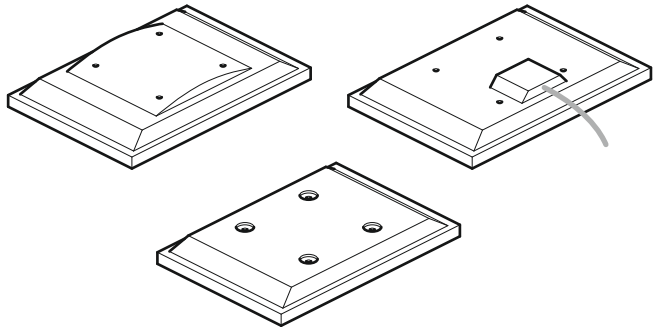
No Spacers

For TVs with flat/unobstructed back

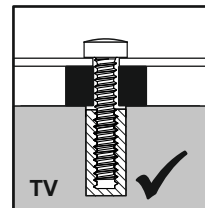
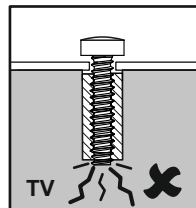
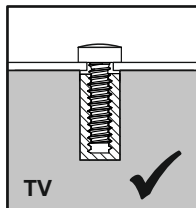
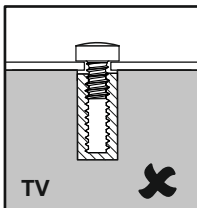


Spacer **K1-K2**

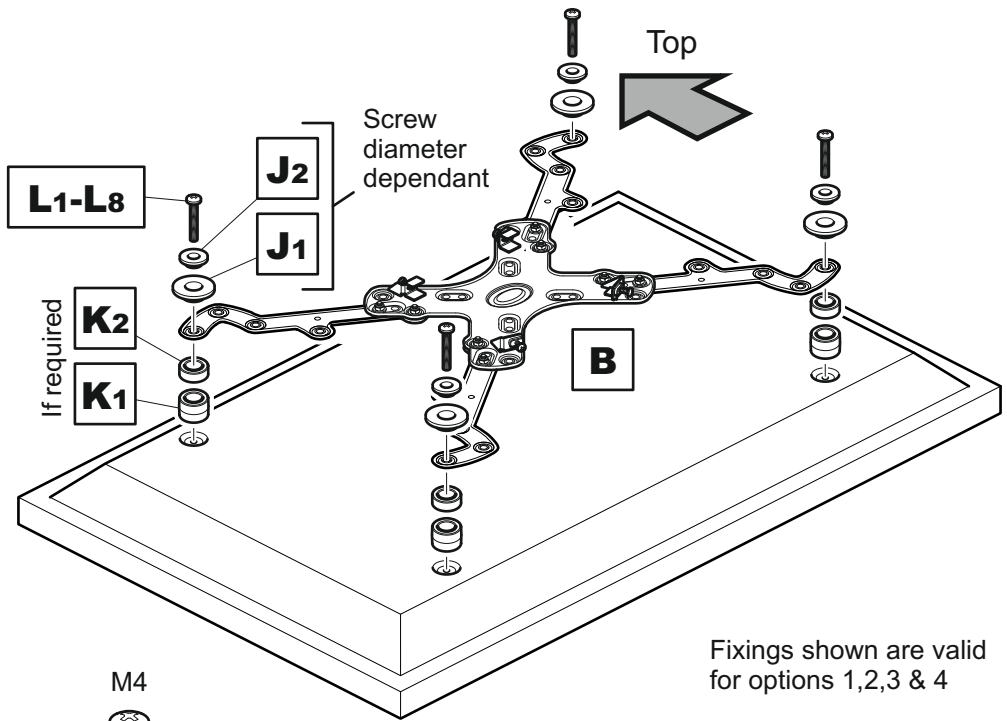
For TVs with irregular/obstructed back



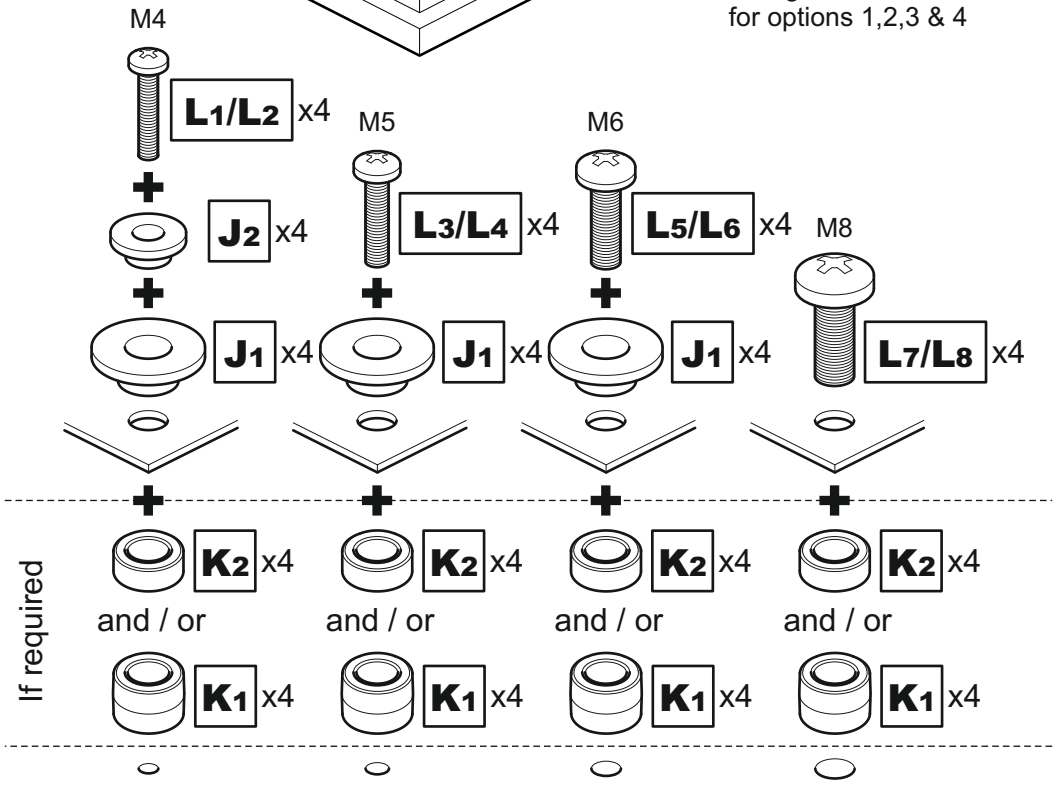
WARNING



After completing step 4 you will have fittings left over, please keep for future reference



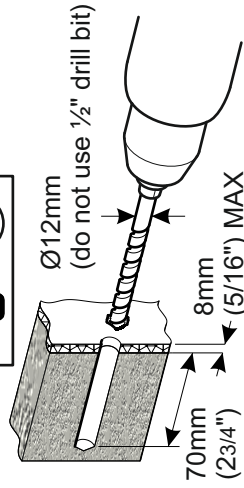
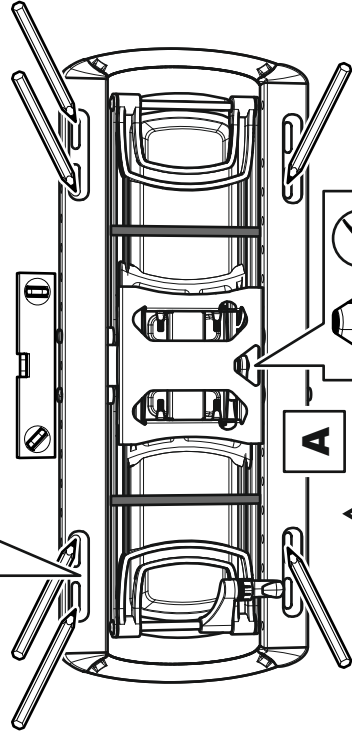
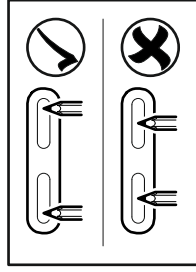
Fixings shown are valid for options 1,2,3 & 4



Attach the bracket to the back of your TV using suitable screw, reducer and spacer combinations.

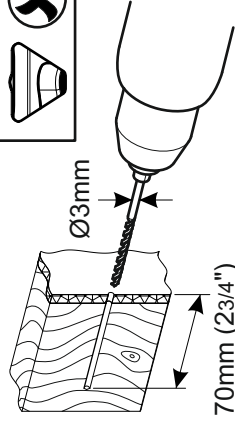
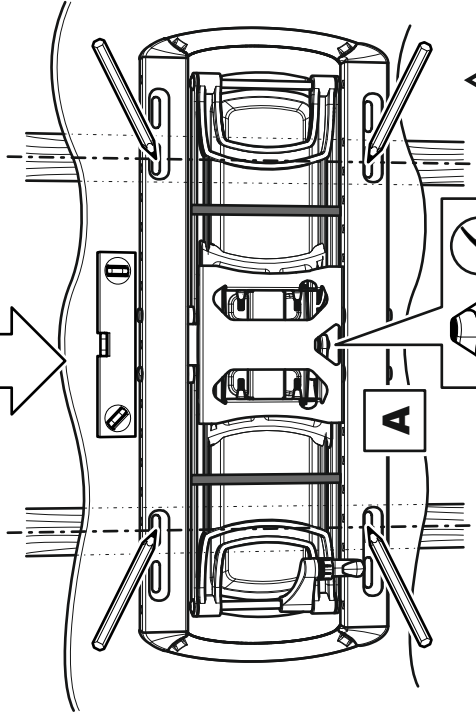
5 Fitting the Wall Bracket

Solid Wall



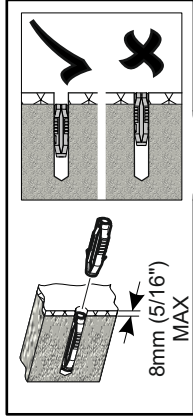
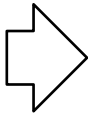
Remove dust from hole

Wood Stud

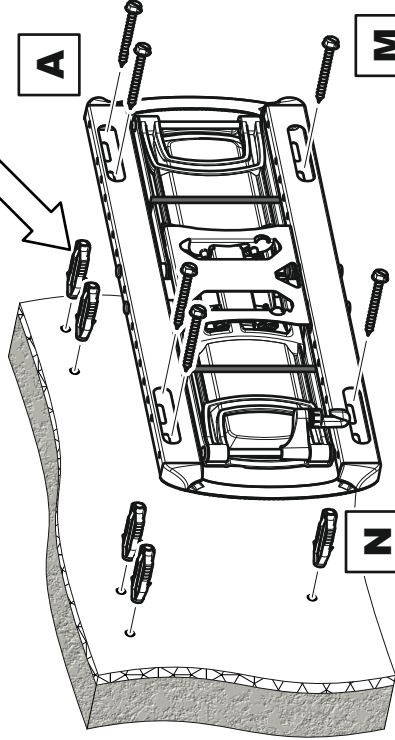


Ensure bracket is in the centre of the wood stud





8mm (5/16")
MAX



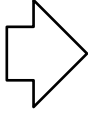
Lubricate screw
thread with soap

DO NOT over tighten screws
Tighten screws by hand only

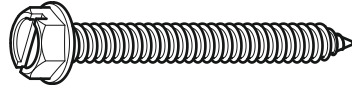
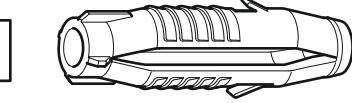
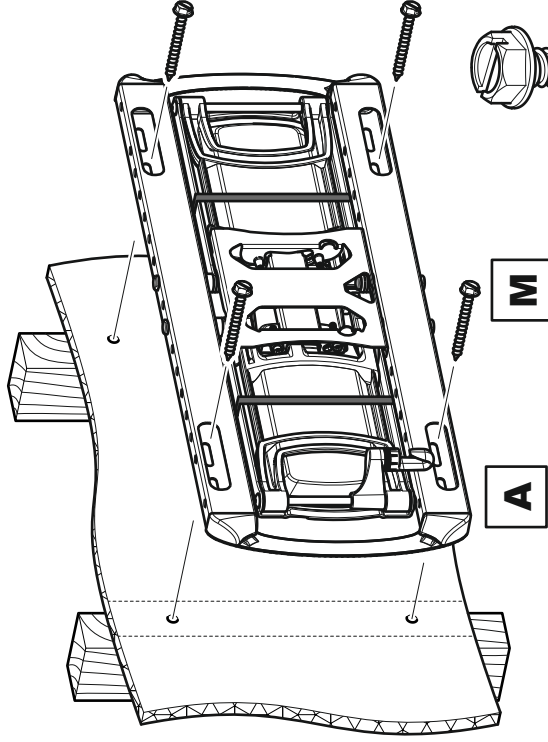


M x6

N x6



Lubricate screw
thread with soap



M x6

N x6



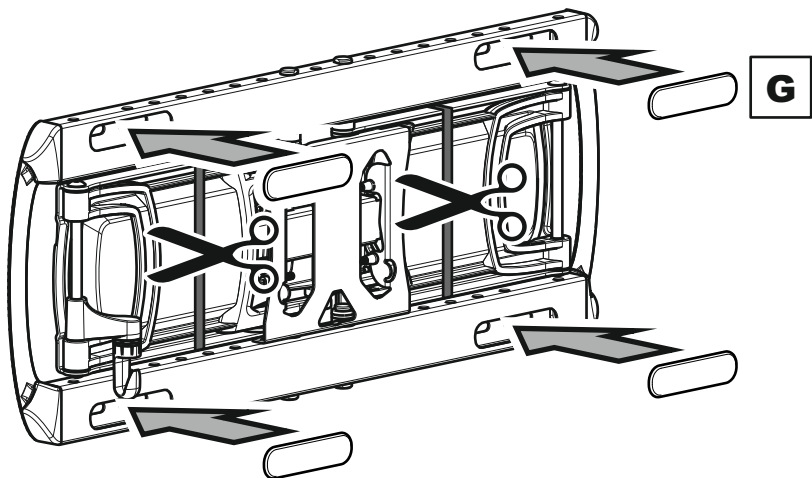
DO NOT over tighten screws
Tighten screws by hand only

M

A

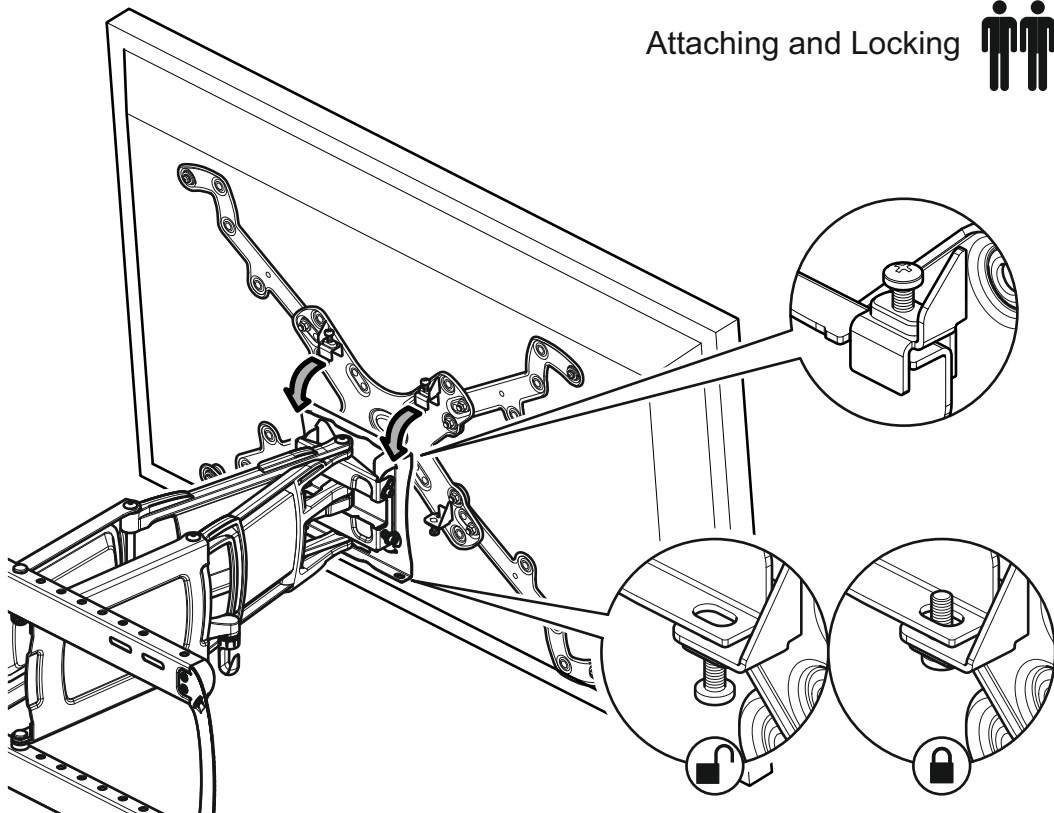
M x4

6 Fitting the Wall Bracket Covers



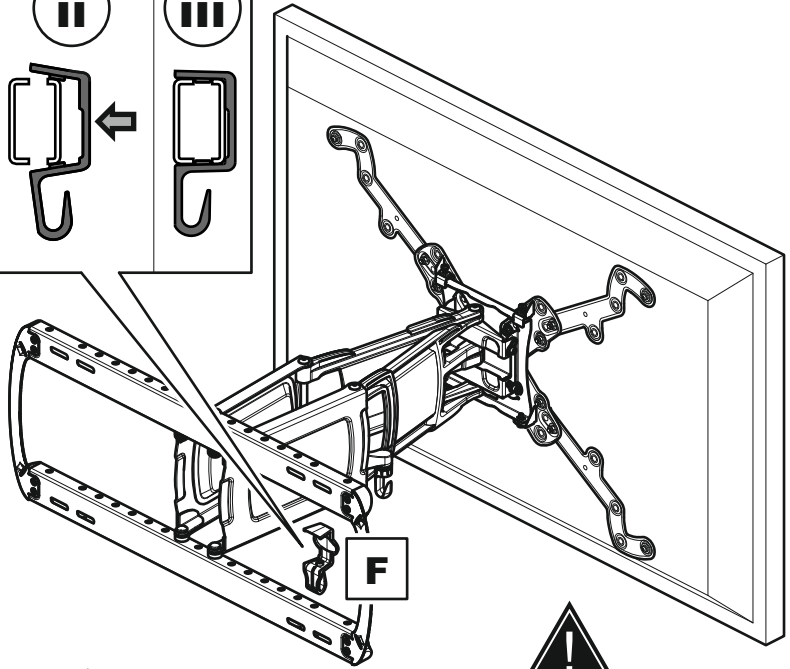
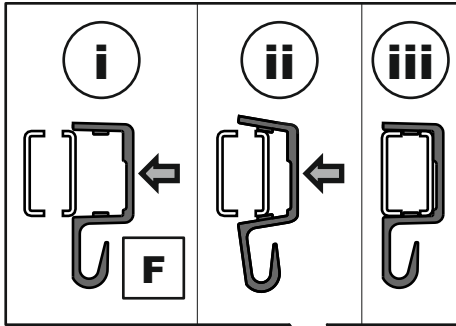
7 Connecting the TV

Attaching and Locking

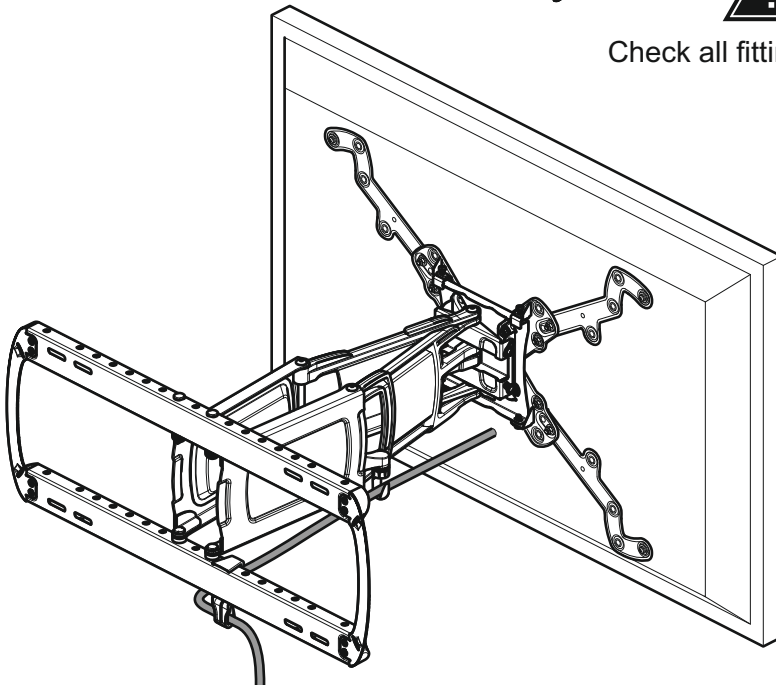


8

Cable Management



Check all fittings are tight



Ensure cables don't restrict arm movement

Optional



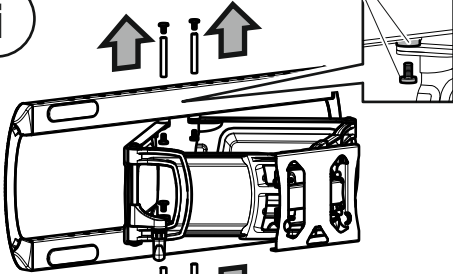
Lateral Shift



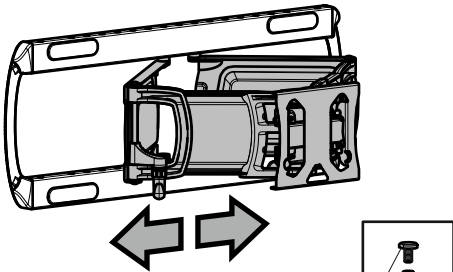
WOOD STUD ONLY

Remove

i

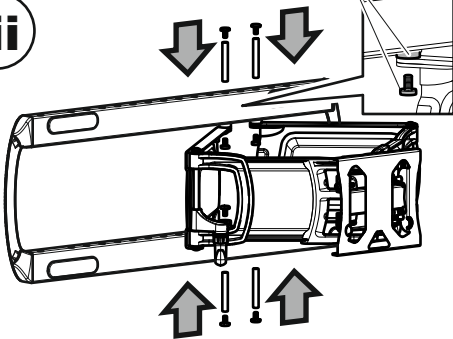


ii



iii

Replace



Lock Tilt

