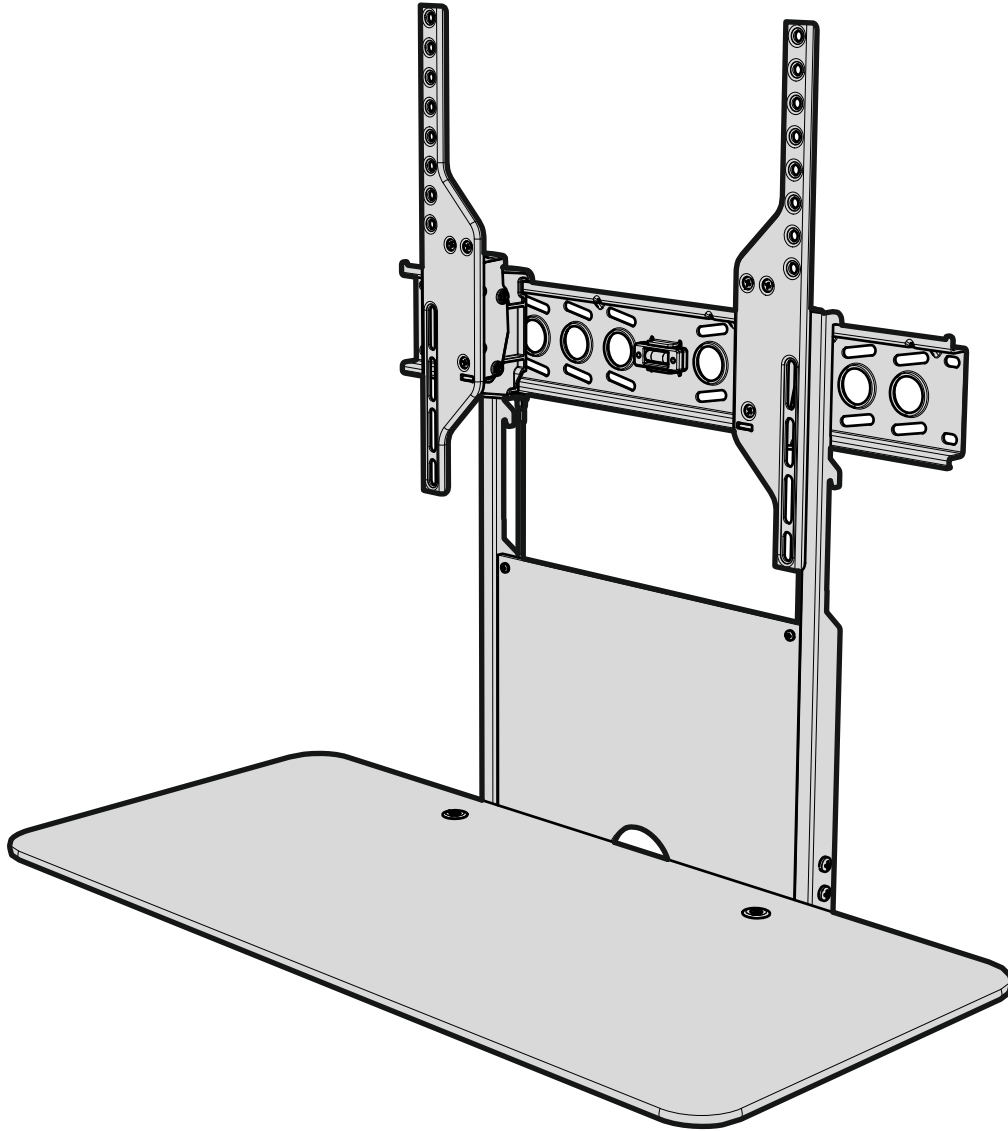


A55TSH

Leaflet No. 463738 rev01



Read through ALL instructions before commencing installation.
If you have any questions about this product or issues with installation contact the customer services help line before returning this product to the store. See <http://comet.avfgroup.com> for instruction videos.

CUSTOMER SERVICES HELP LINE NUMBER:

01952 670009



Shelf
Capacity

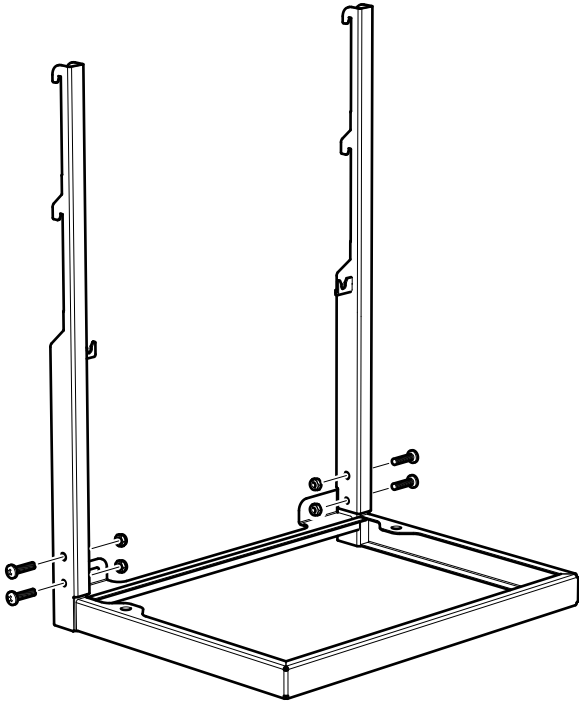


Combined
Weight

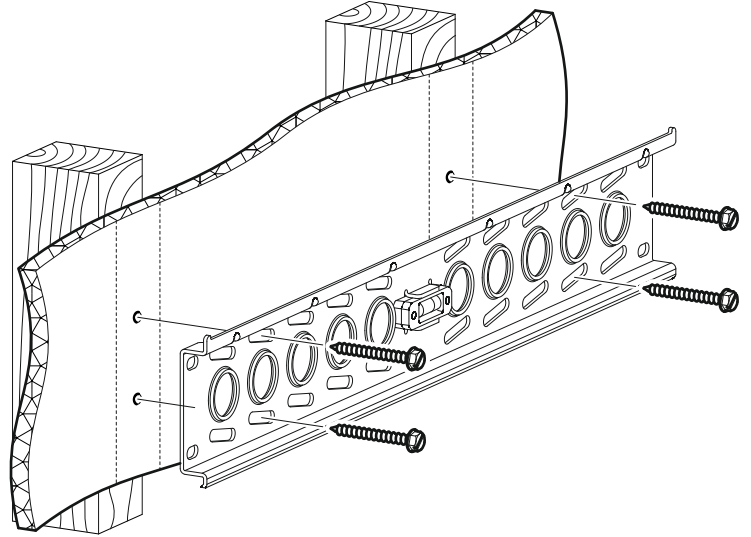
55"
139cm

Assembly Overview

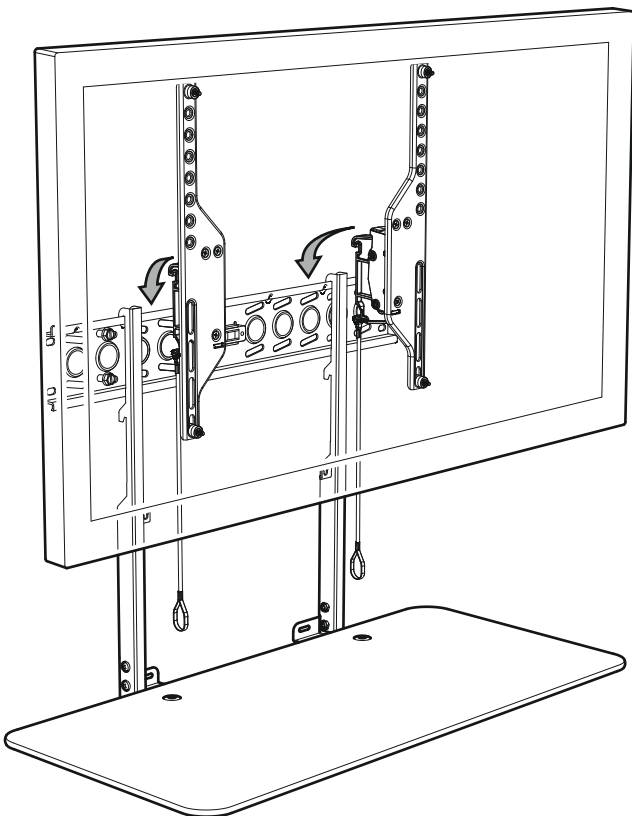
Assembling the Shelf Bracket



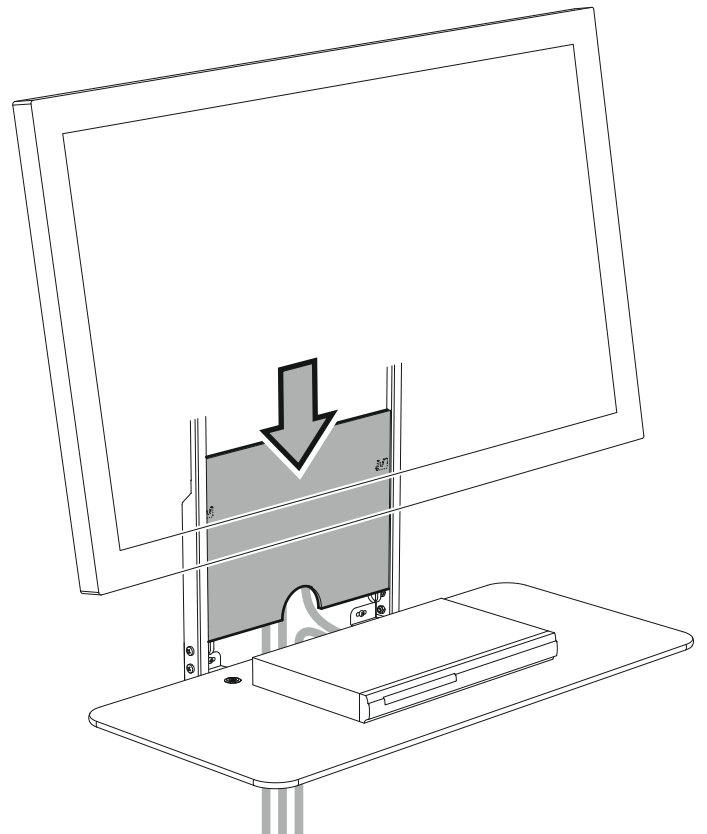
Fitting the Wall Bracket



Attach the TV



Attach the Trim Panel



Index

1 Measure the TV fixing holes Width and Height

2 Assembling the Shelf Bracket

3 Select the Trim Panel

4 Considering the Shelf Position

5 Fitting the TV Brackets

6 Fitting the Wall Bracket

7 Deciding the Shelf Position

8 Remove the TV

9 Mark Holes for Drilling

10 Remove the Shelf Bracket

11 Preparing Holes for the Shelf Bracket

12 Attach the Shelf

13 Attach the TV

14 Position DVD etc

15 Cable Management

16 Attach the Shelf Bracket to Wall

17 Attach the Trim Panel

18 Optional

Retain all packaging in case the bracket needs to be returned.

Contents may vary from photography/ Illustrations.

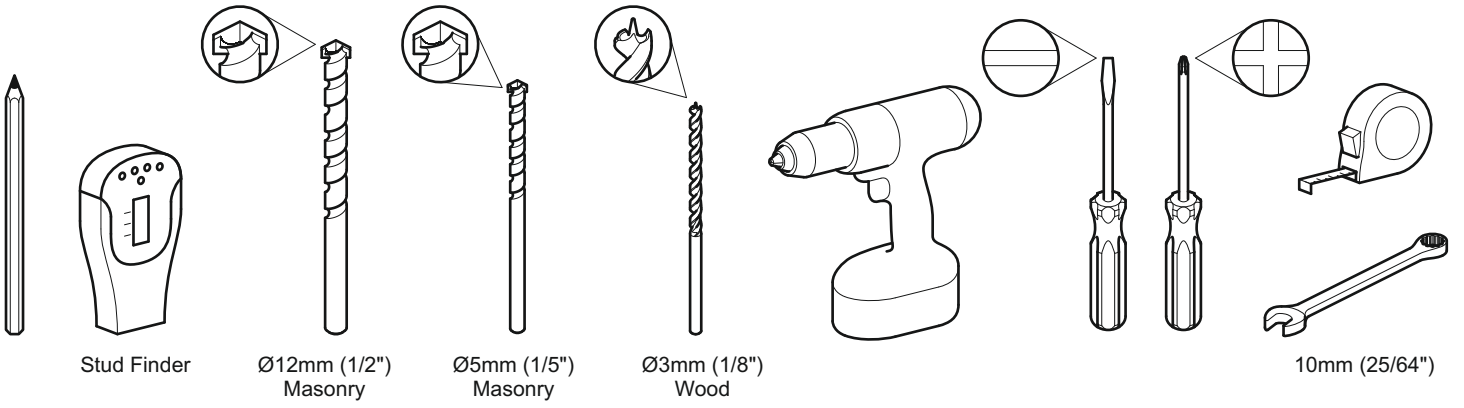
You will not need all these parts, so expect there to be some left over depending upon the specification of your TV.

This product is intended for indoor use only. Use of this product outdoors could lead to failure and personal injury.

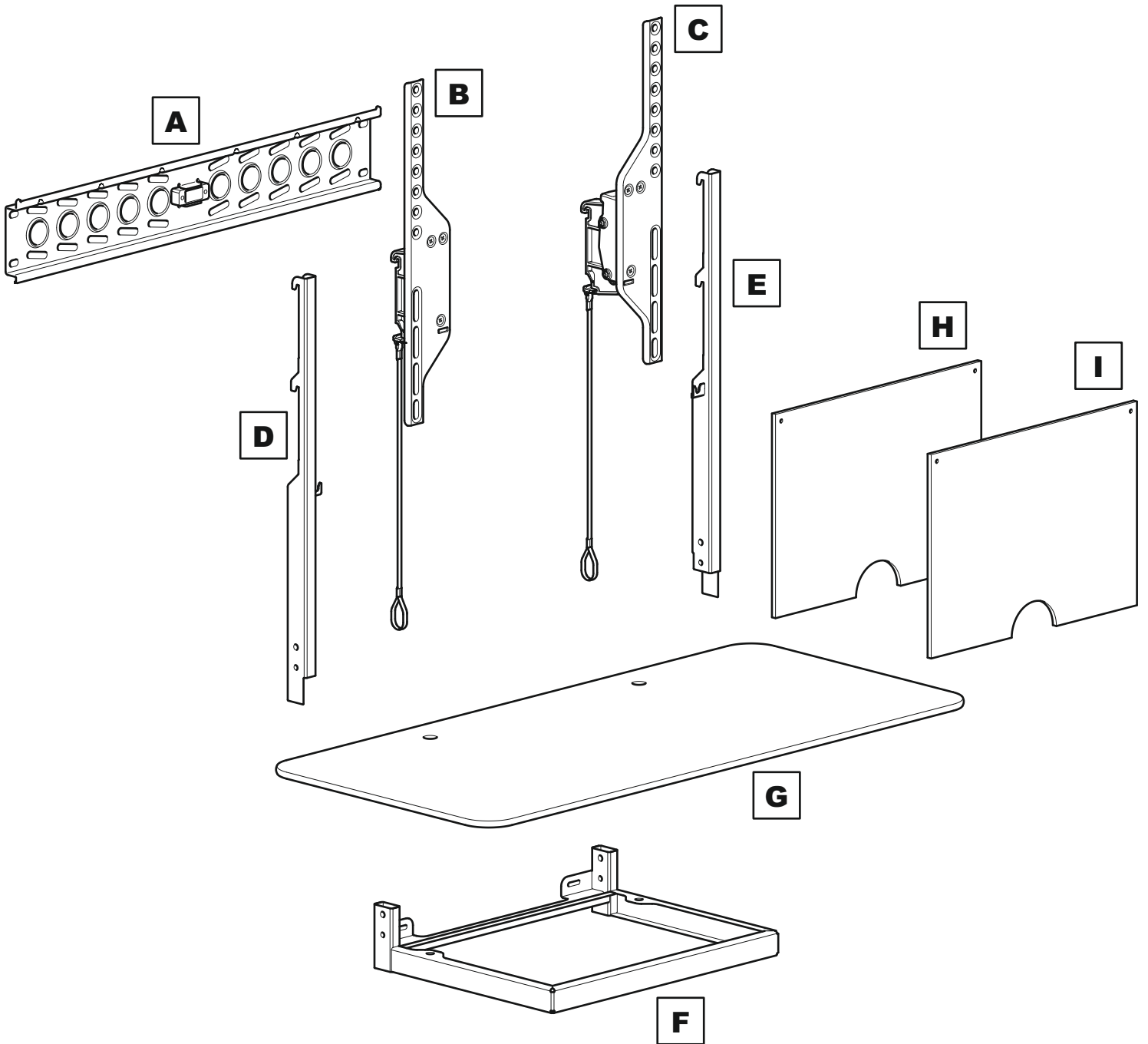
It is the responsibility of the installer to ensure that the mounting wall is of a suitable standard and void of any services (eg gas, electricity, water etc).

AVF accept no responsibility for any damage or loss caused by installing this product on a sub standard wall.

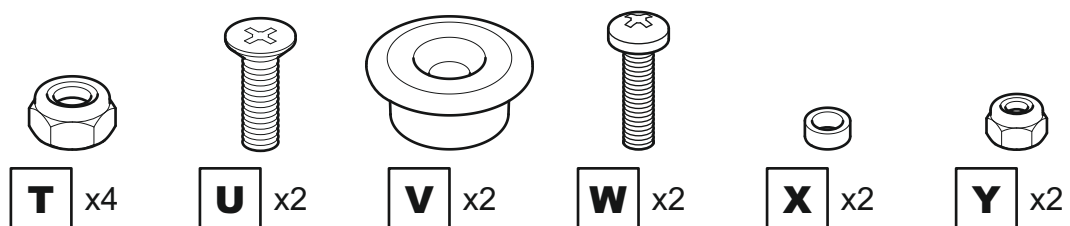
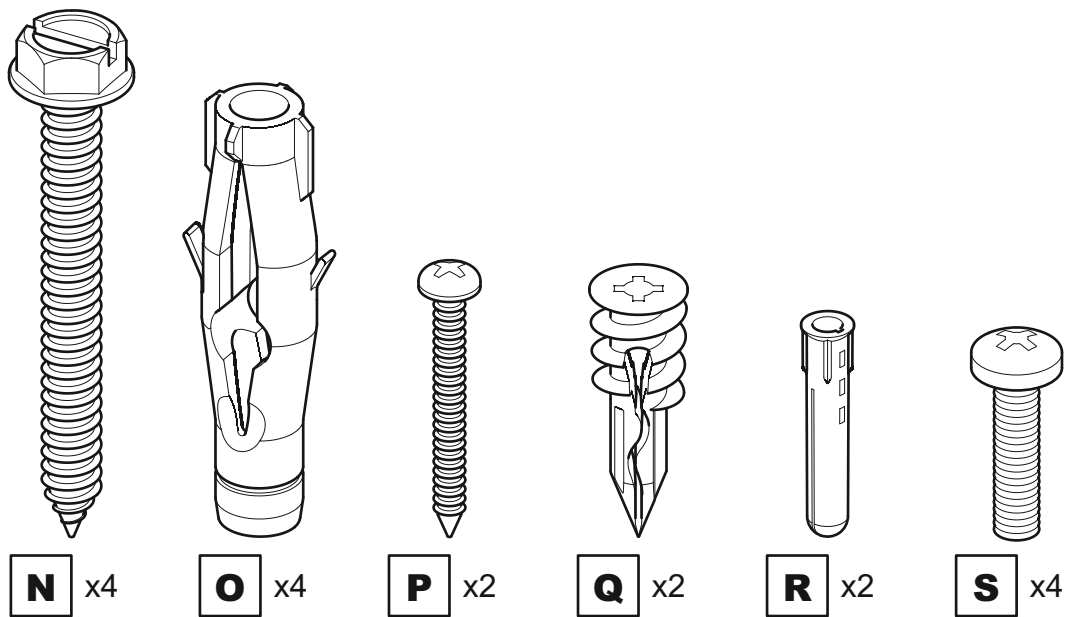
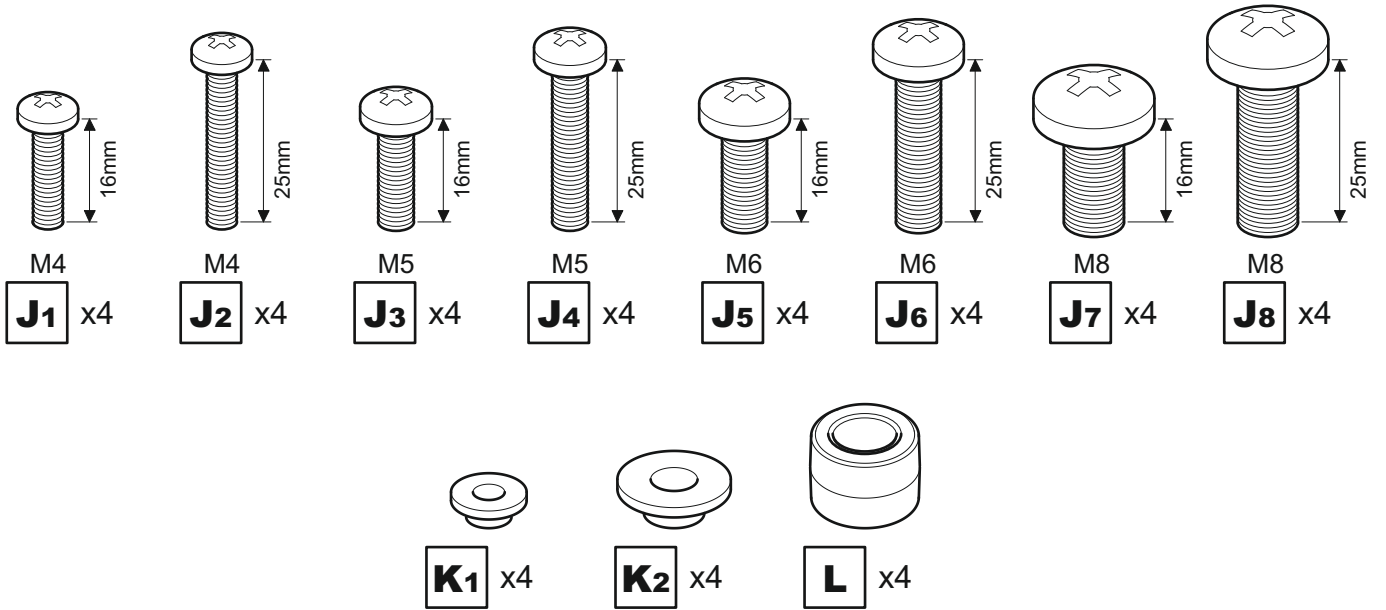
Tools Recommended




Boxed Parts

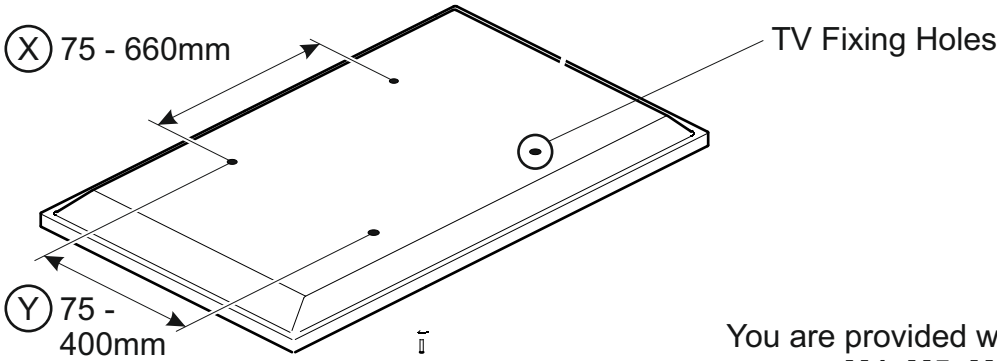


TV Screws, Reducers and Spacers

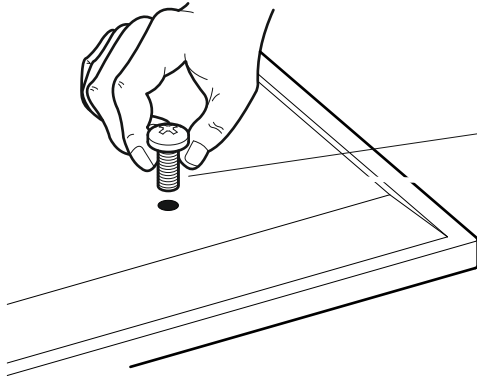


1 Measure the TV Fixing Holes Width and Height

 If width (X) is greater than 660mm or height (Y) greater than 400mm STOP installation now and contact the customer help line

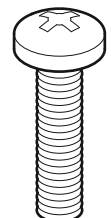
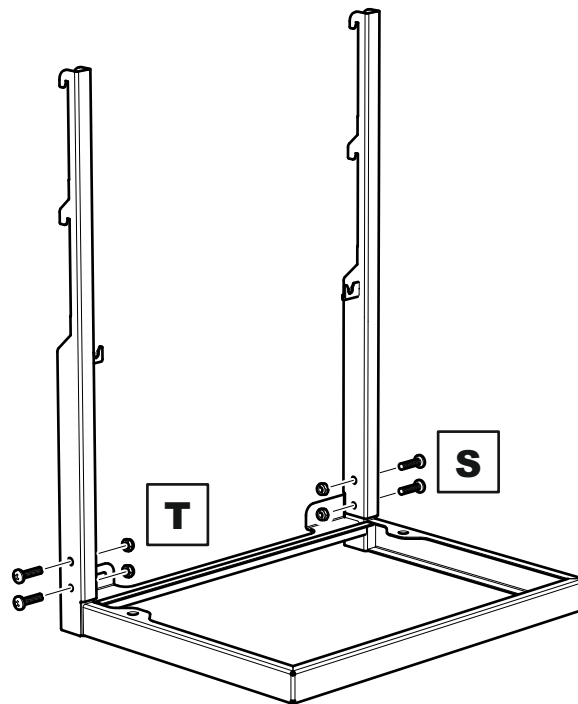
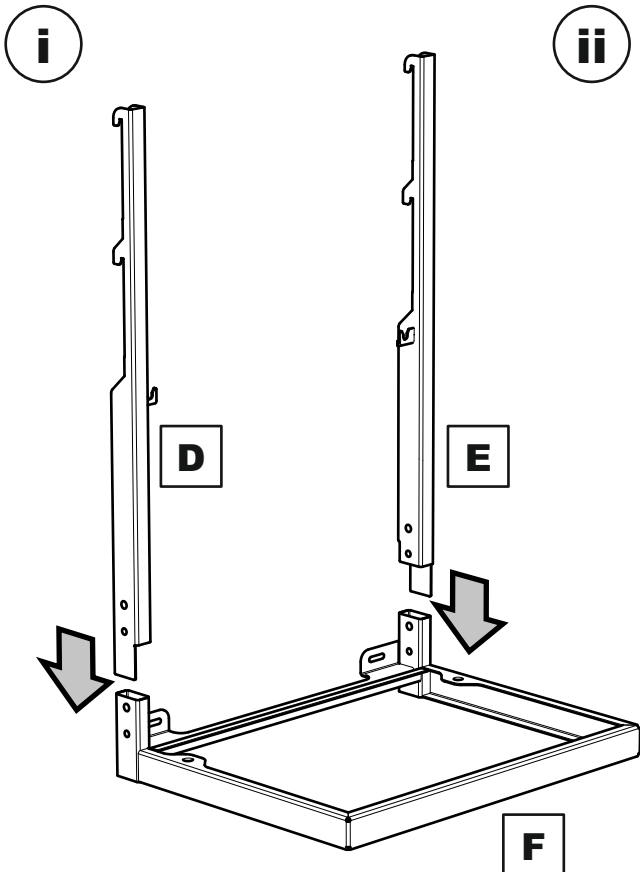


You are provided with 4 diameters of TV fixing screws, **M4**, **M5**, **M6** and **M8**. Determine the screw diameter that fits and remember for step 5.



M4 =	J1/J2
M5 =	J3/J4
M6 =	J5/J6
M8 =	J7/J8

2 Assembling the Shelf Bracket



S x4

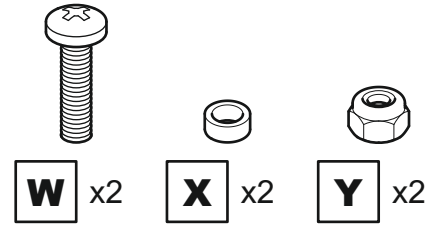
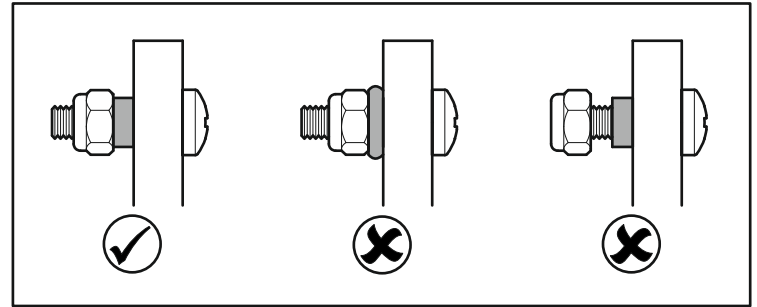
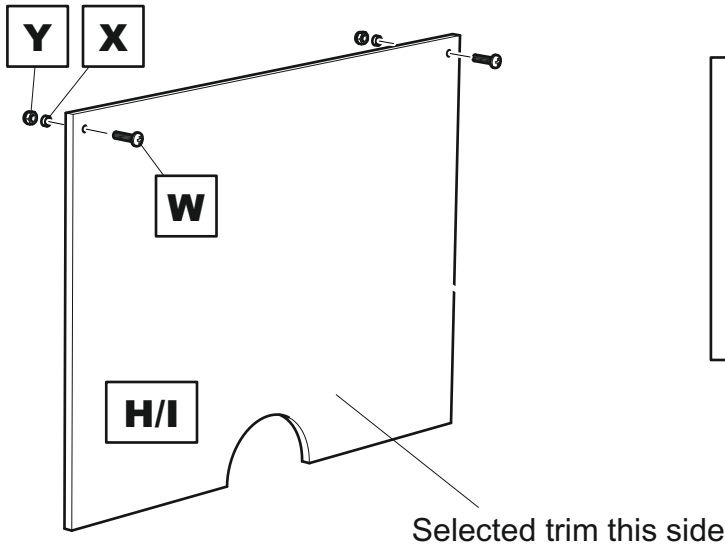
T x4

3

Select the Trim Panel



DO NOT OVER TIGHTEN

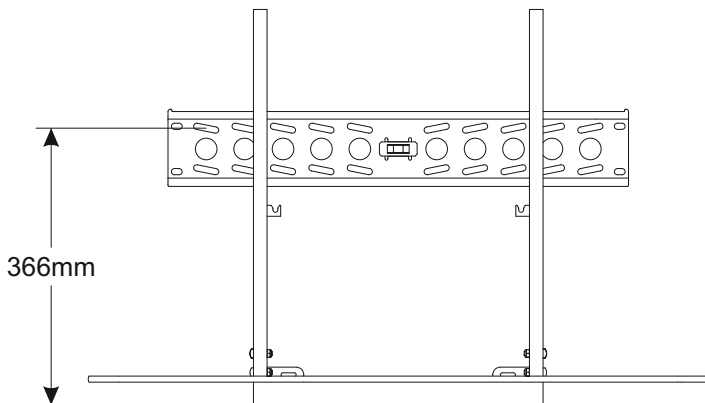


4

Considering the Shelf Position

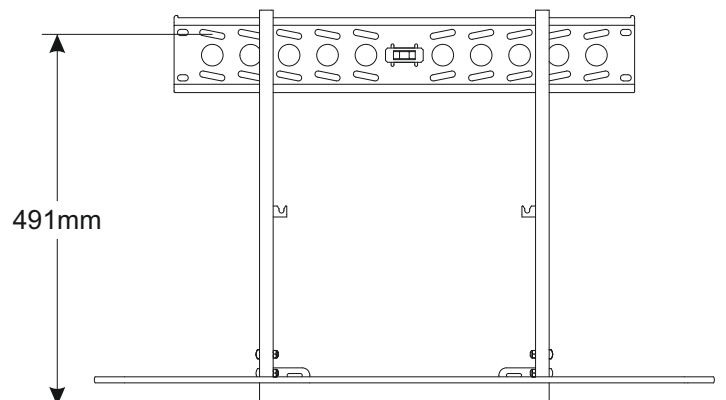
Before fitting the wall bracket consider the shelf position. If you position the wall bracket too low, the shelf could be too close to the floor, if you position the wall bracket too high, the TV could be too close to the ceiling and/or shelving be too high. Use the dimensions below as a guide.

High Shelf Position



Recommended for Medium to Large TV

Low Shelf Position



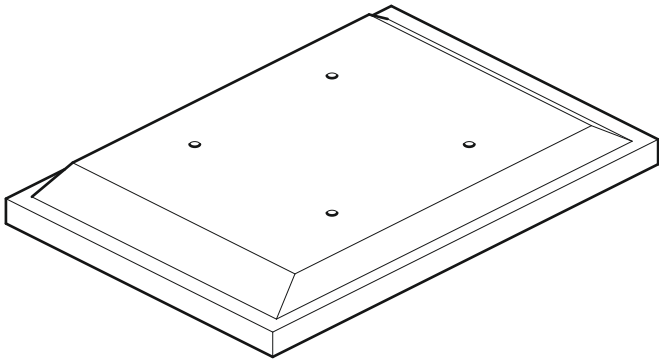
Recommended for Large to Extra Large TV

5

Fitting the TV Brackets

No Spacers

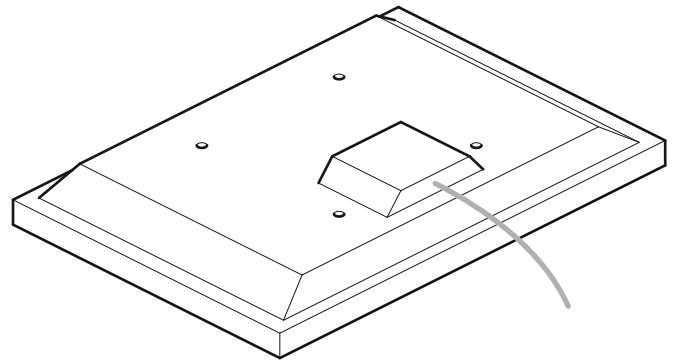
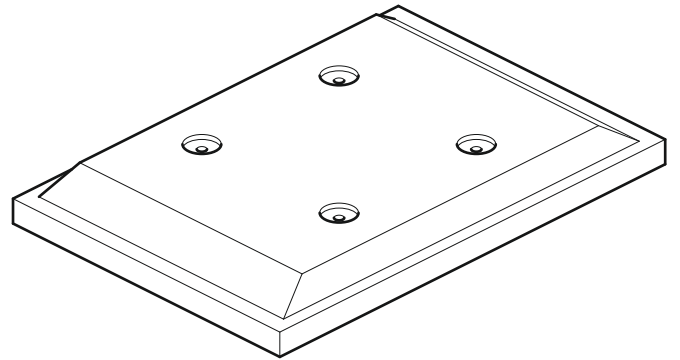
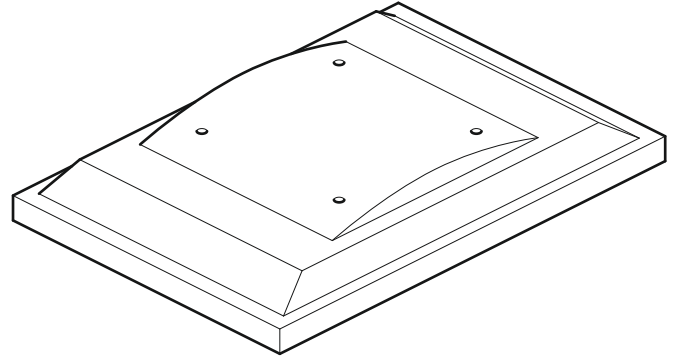
For TVs with flat/unobstructed back



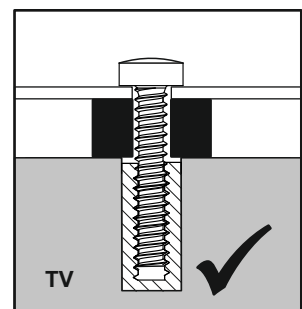
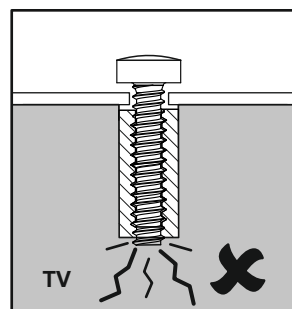
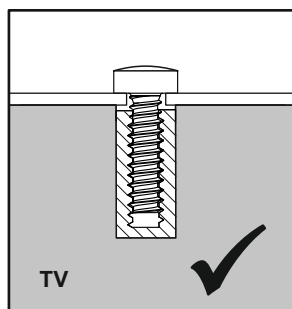
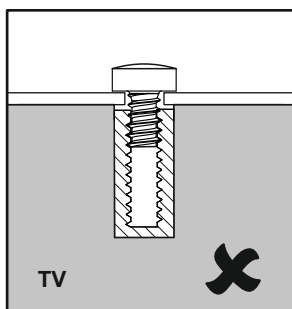
Spacers



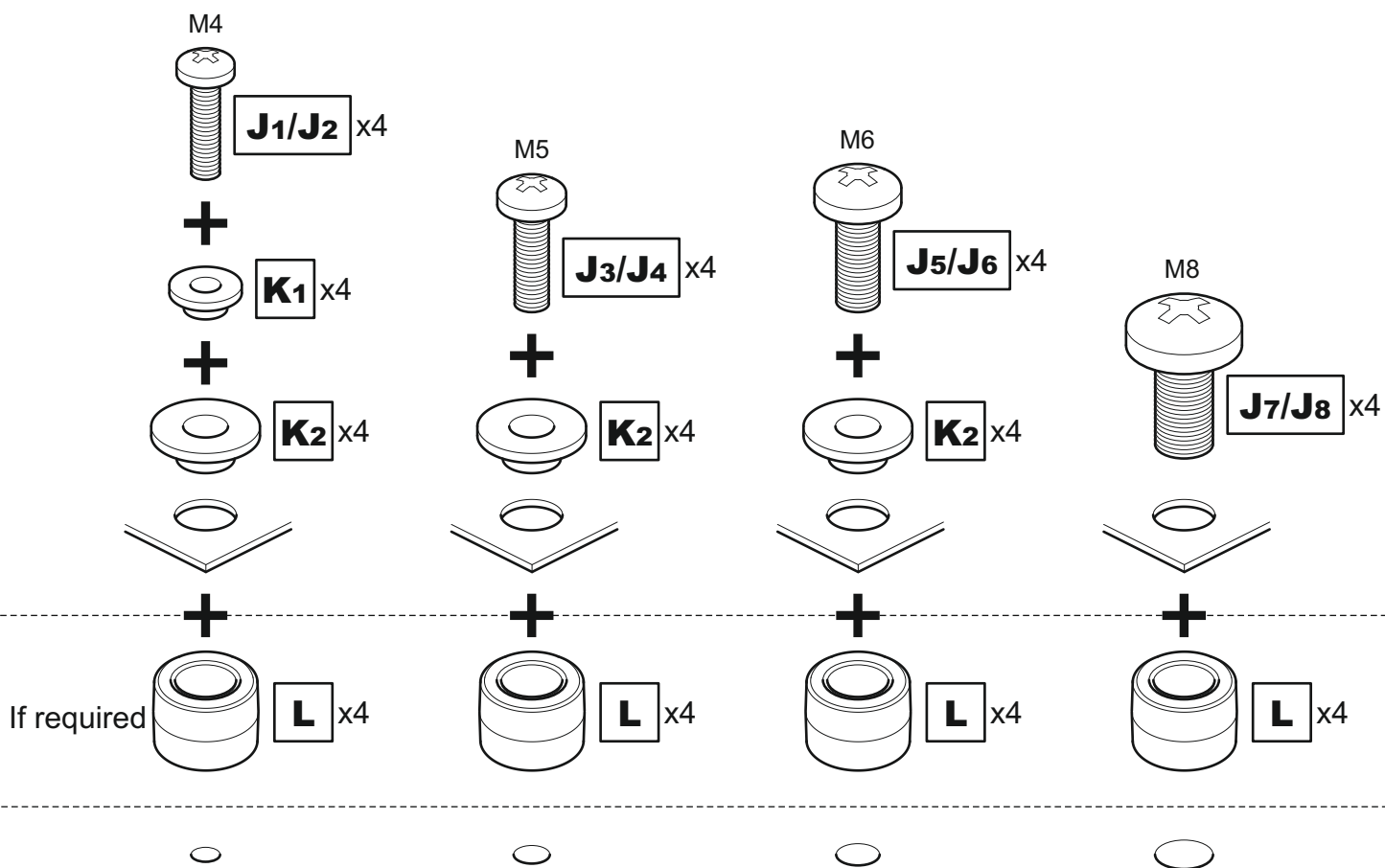
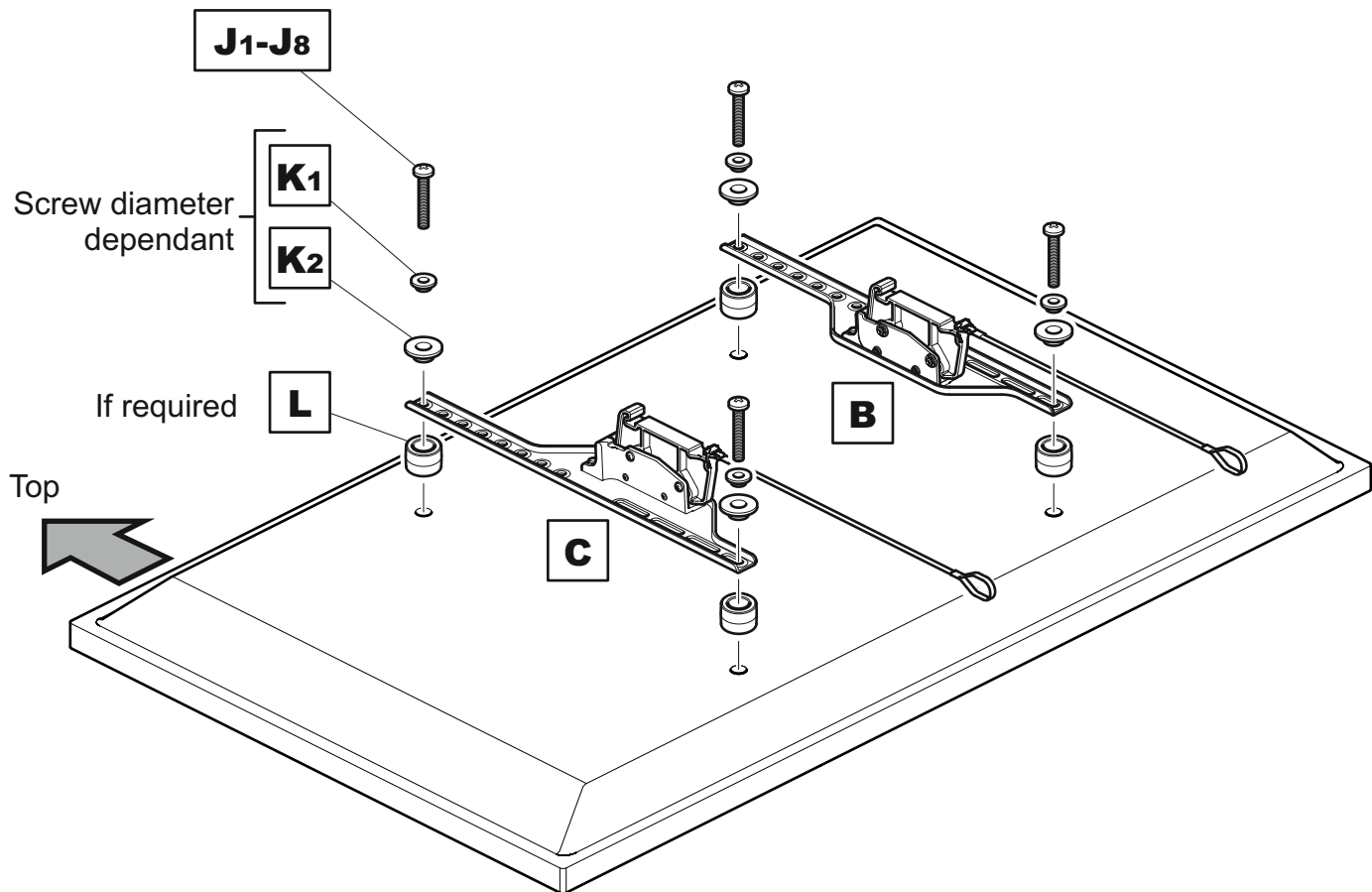
For TVs with irregular/obstructed back



WARNING



After completing step 5 you will have fittings left over, please keep for future reference



Attach the brackets to the back of your TV using suitable screw, reducer and spacer combinations

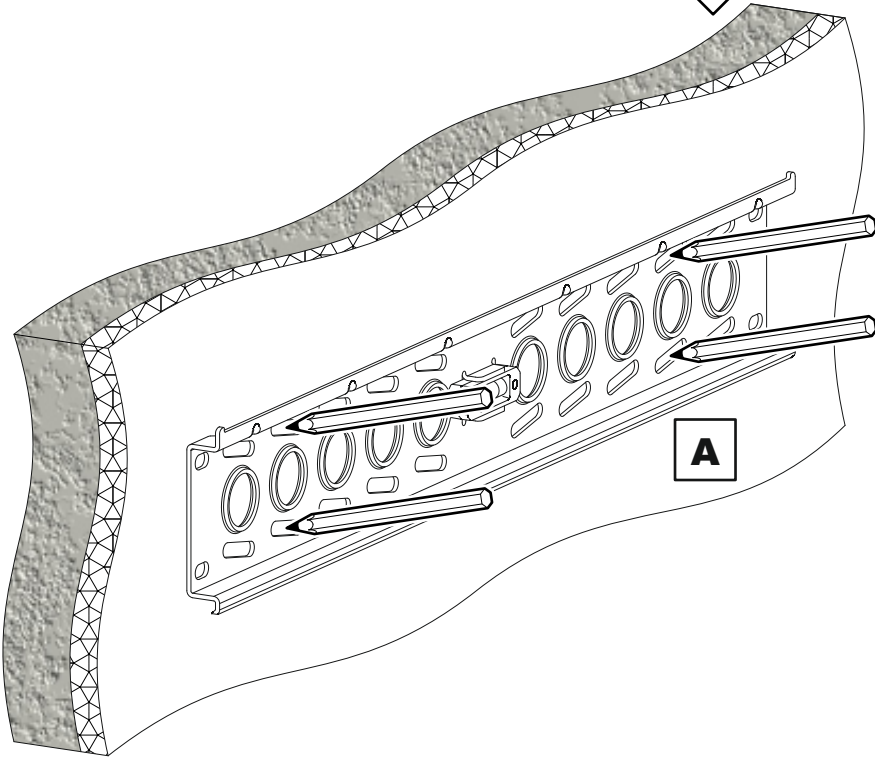
6

Fitting the Wall Bracket

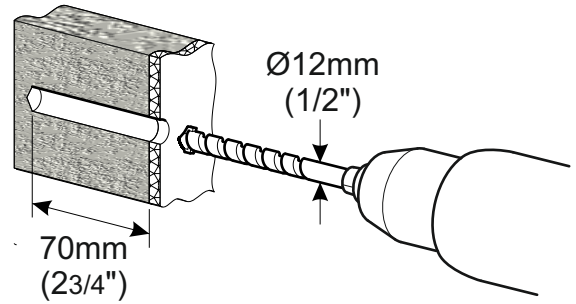


Remember to use the measurements from step 4

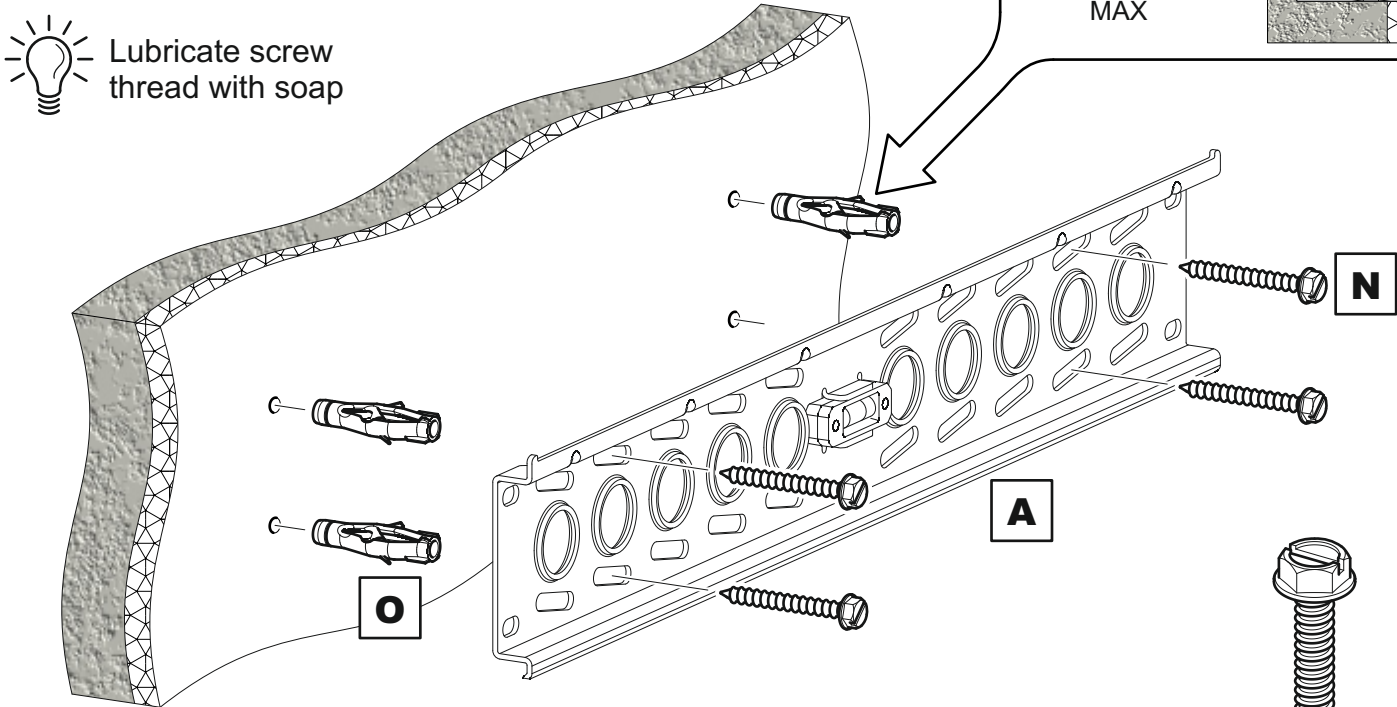
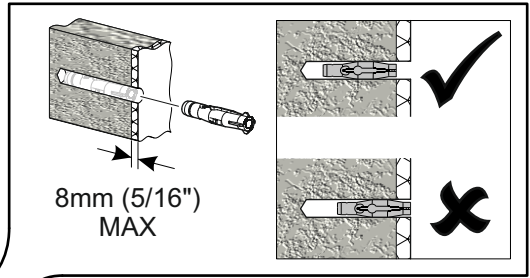
Solid Wall



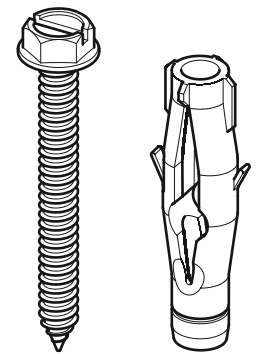
Remove dust from hole



Lubricate screw thread with soap

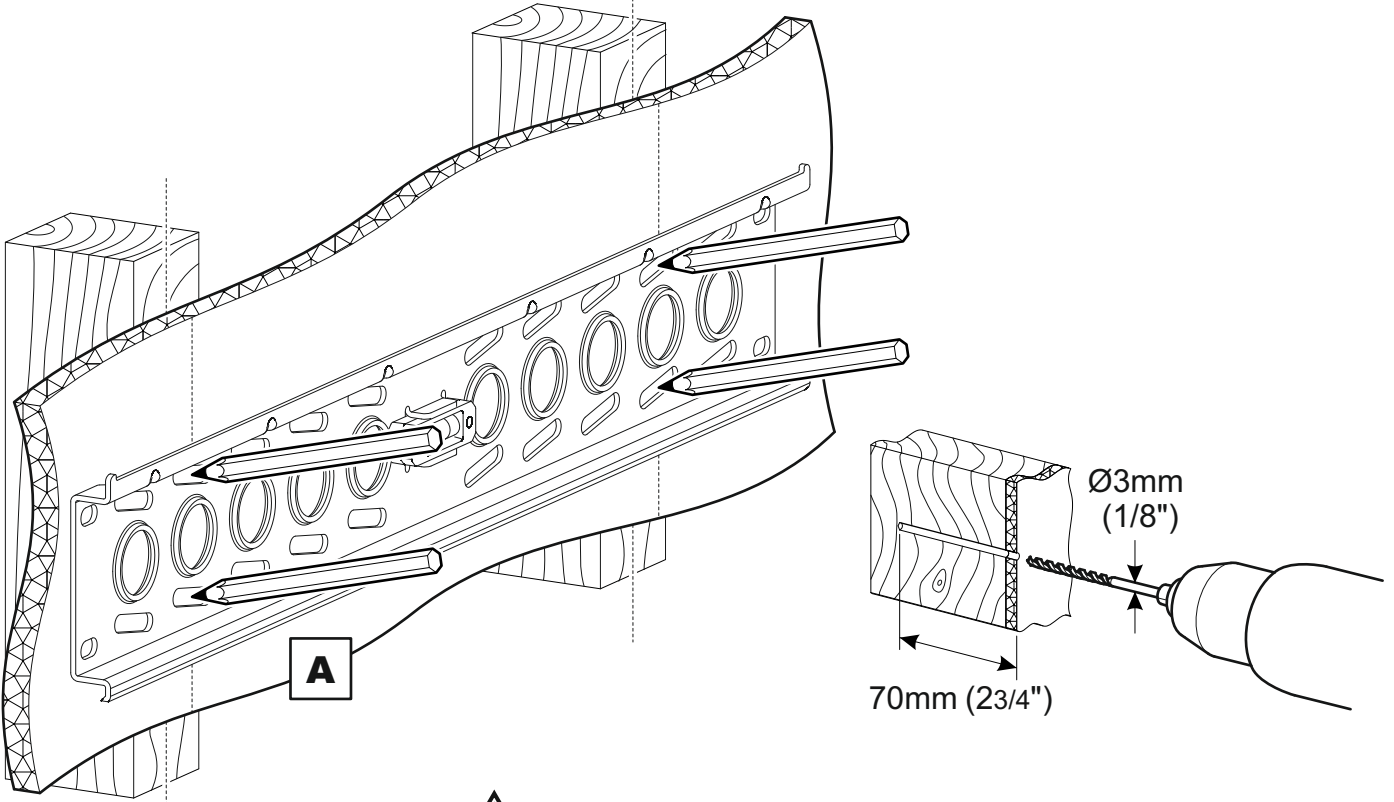
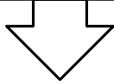


Ensure level before final tightening. DO NOT over tighten screws. Tighten screws by hand only



N x4 **O** x4

Wood Stud



A

Ø3mm
(1/8")

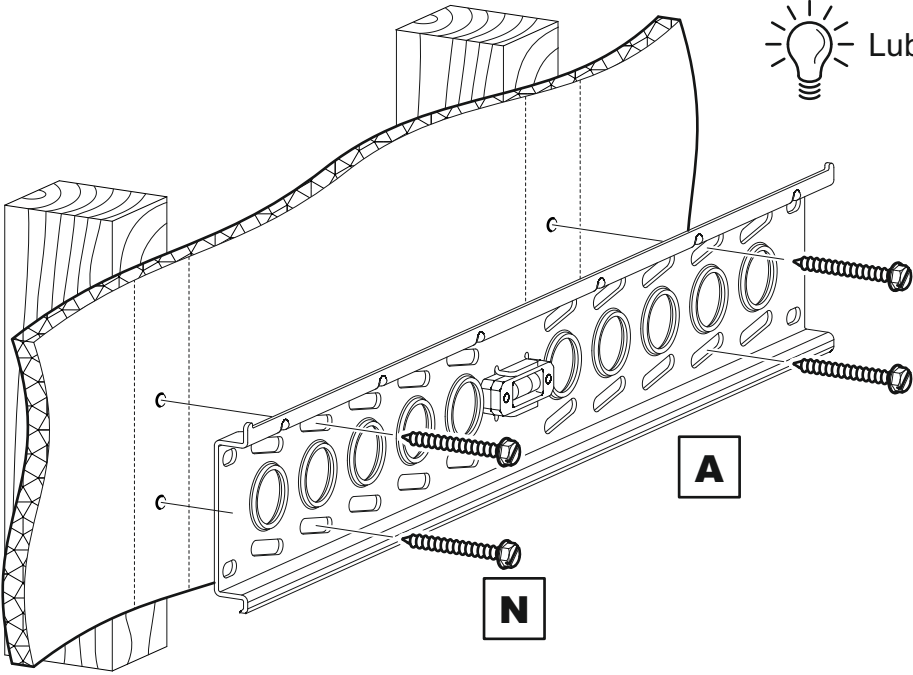
70mm (2 3/4")



Ensure bracket is in the centre of the wood stud

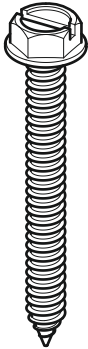


Lubricate screw thread with soap



A

N



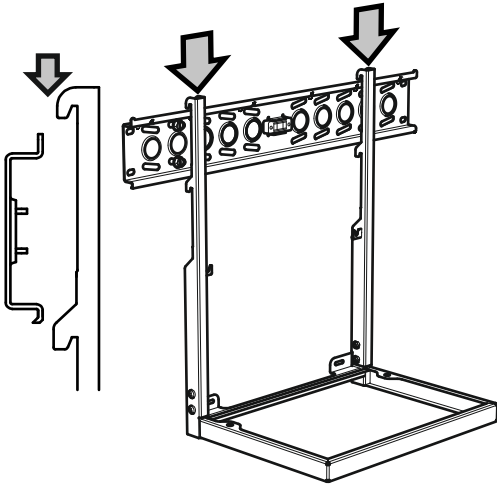
Ensure level before final tightening. DO NOT over tighten screws. Tighten screws by hand only

N x4

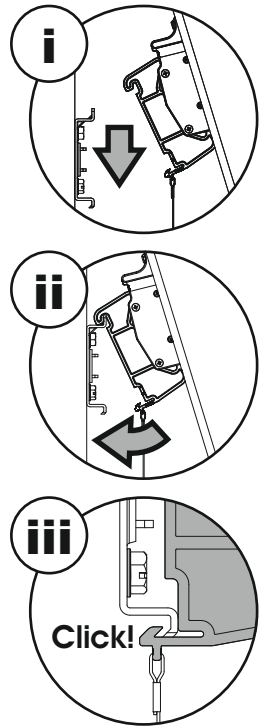
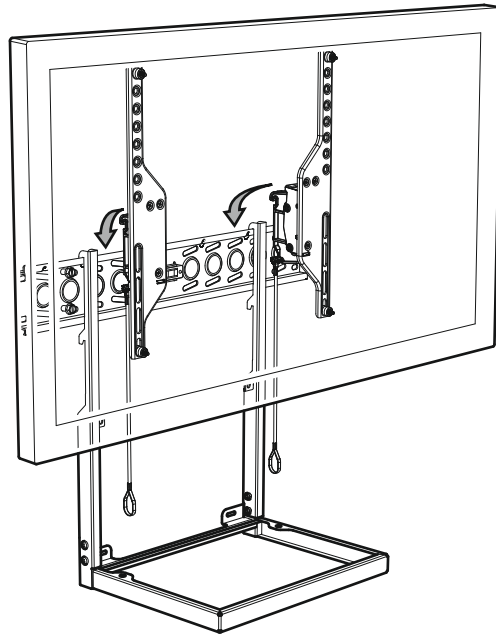
7

Deciding the Shelf position

1. Hang Shelf Bracket

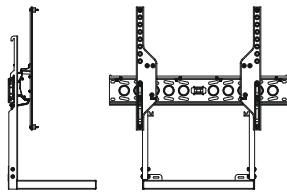


2. Attach TV

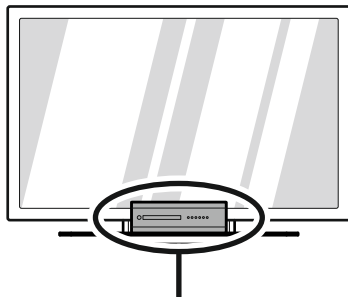
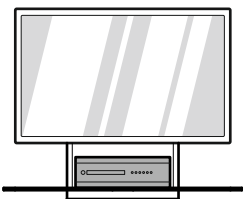
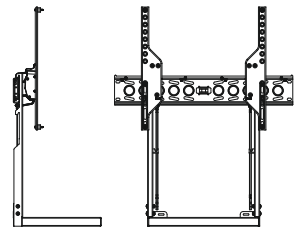


After you have attached your TV use the visuals below to determine if you need to position your shelf in the **High Shelf Position** or **Low Shelf Position**.

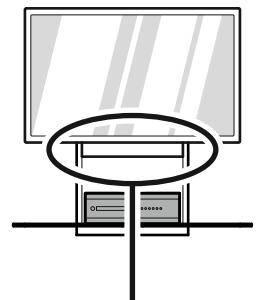
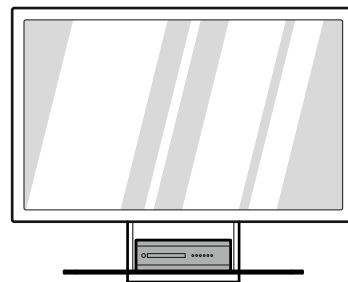
High Shelf Position



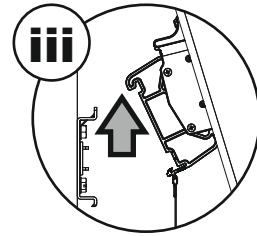
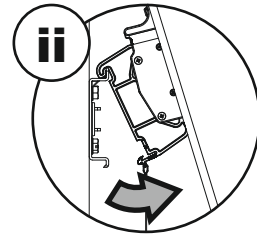
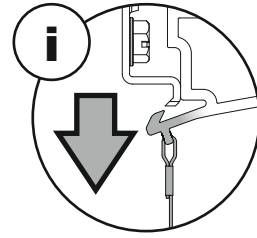
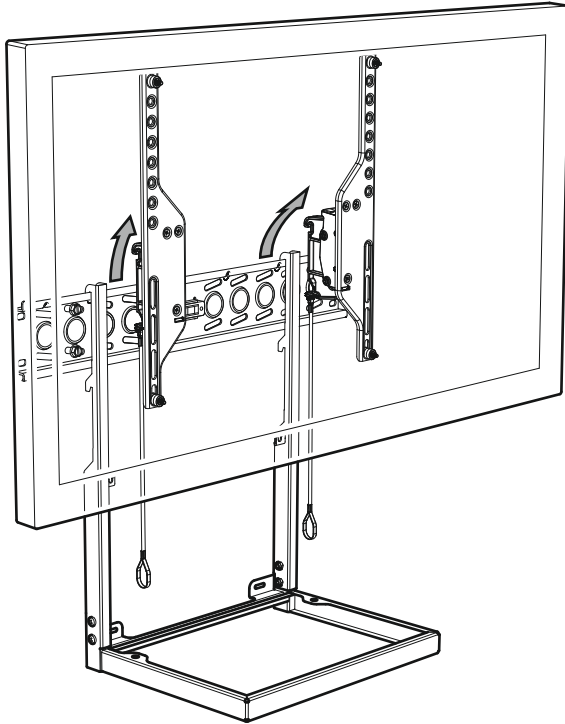
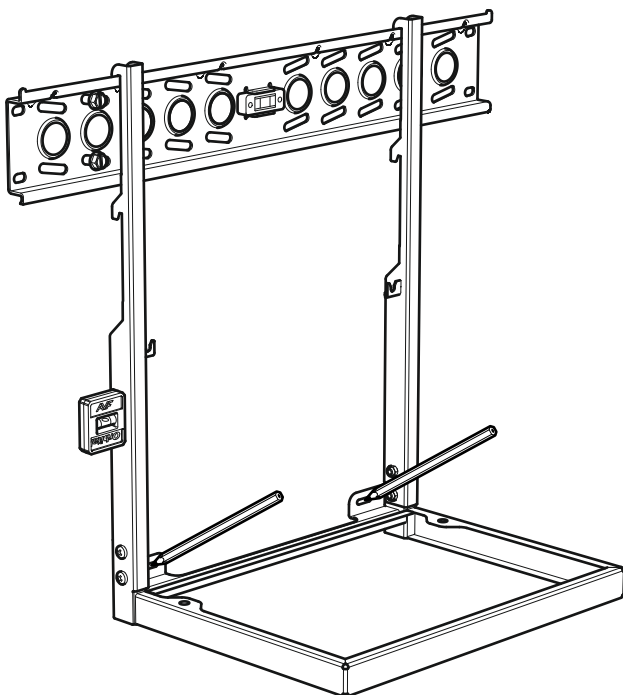
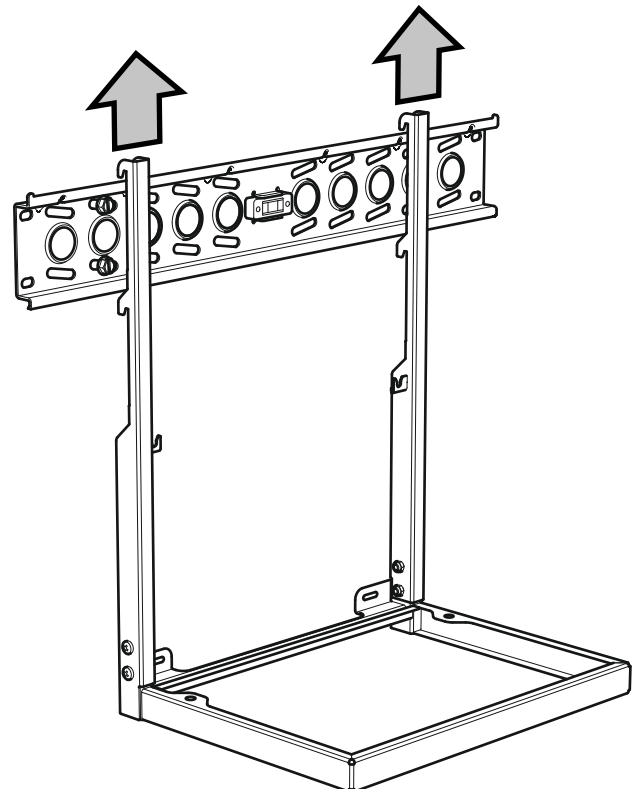
Low Shelf Position



DVD etc clashes with TV



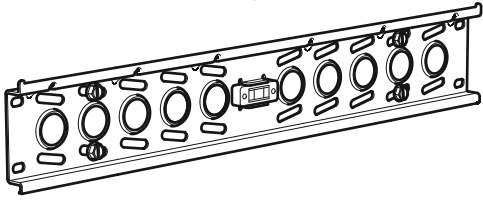
Visible gap between TV and Trim Panel

8**Remove the TV****9****Mark Holes for Drilling****10****Remove the Shelf Bracket**

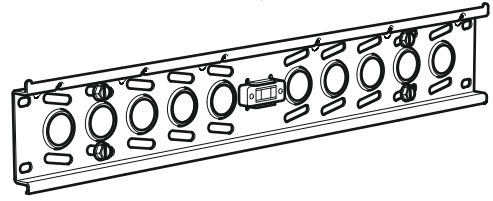
11

Preparing Holes for the Shelf Bracket

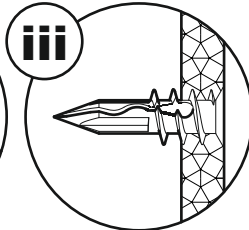
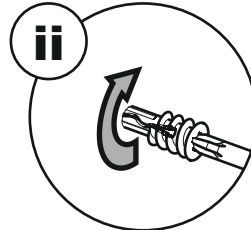
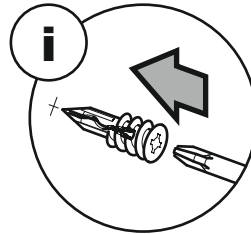
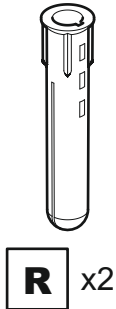
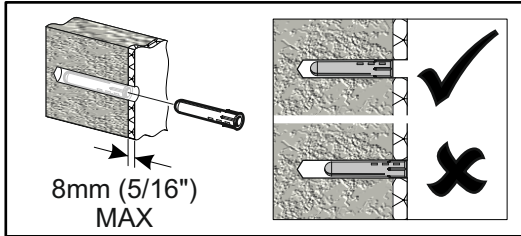
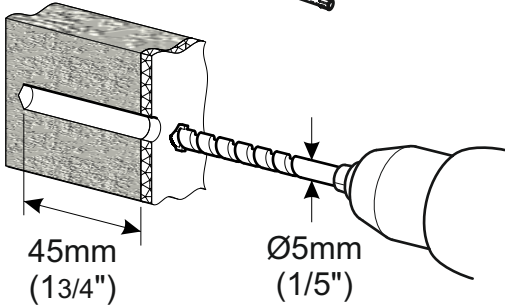
Solid Wall



Plasterboard

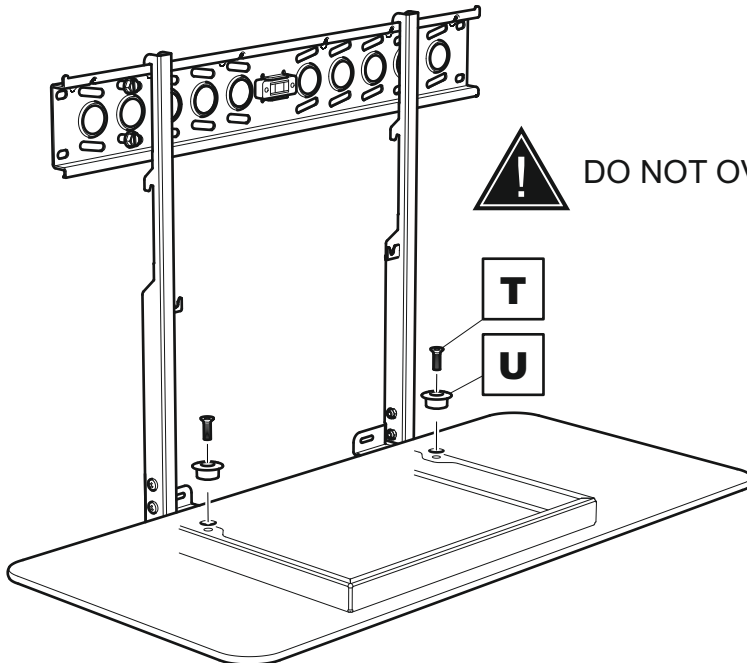


Remove dust from hole



12

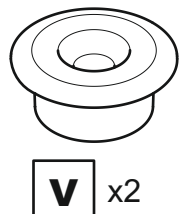
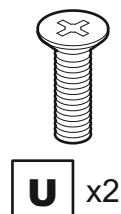
Attach the Shelf



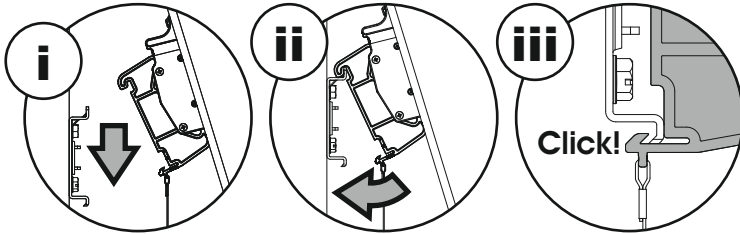
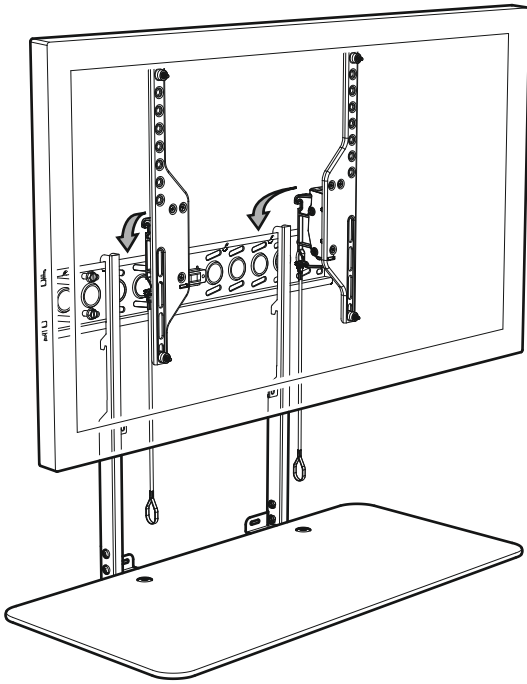
DO NOT OVER TIGHTEN

T

U



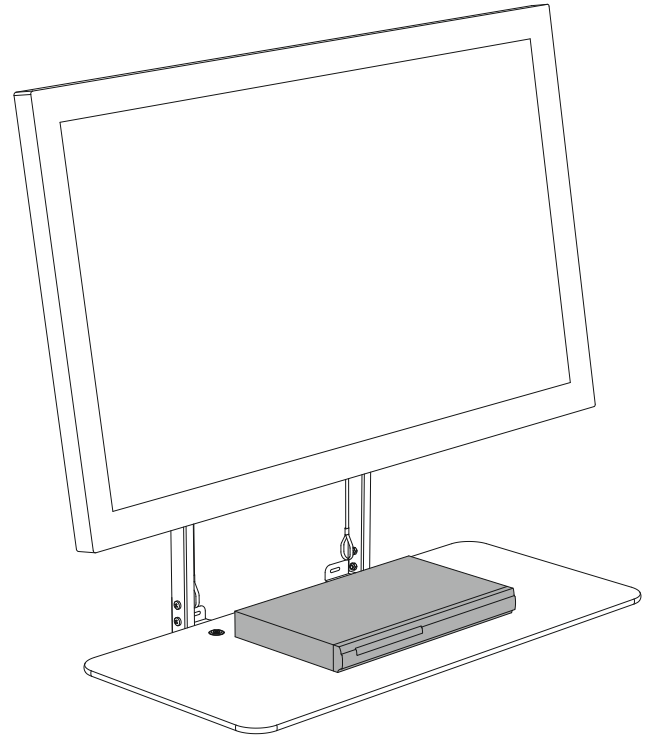
13 Attach the TV



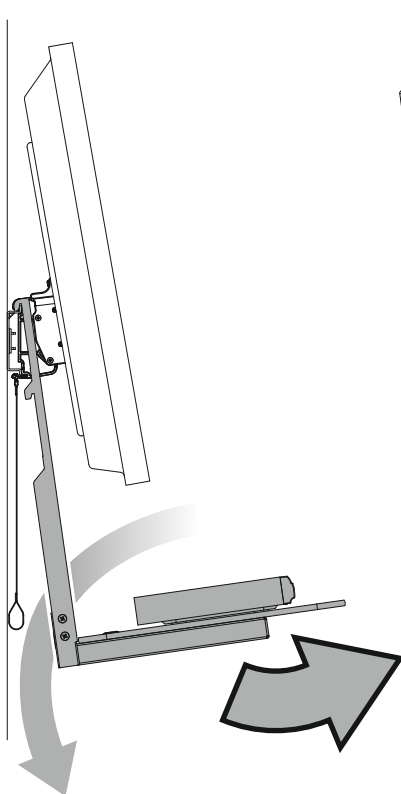
14 Position DVD etc



Shelf capacity 15kg (33lbs)

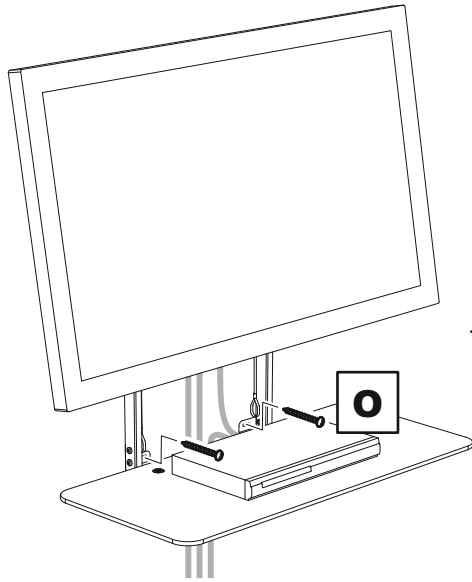


15 Cable Management



Power Cables,
HDMI Cables,
Scart Cables,
Aerial Cables etc

16 Attach the Shelf Bracket to Wall

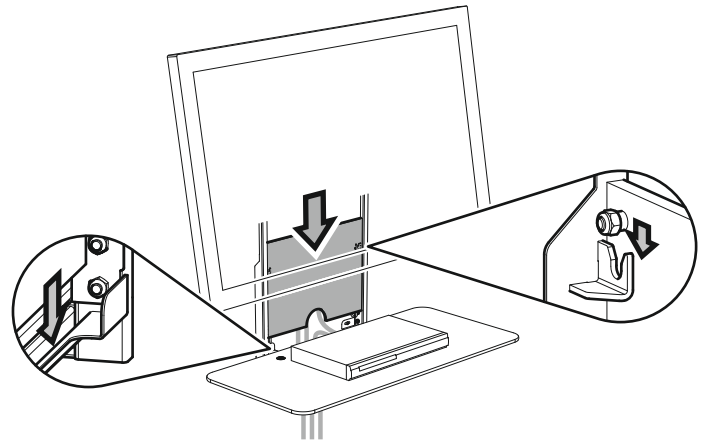
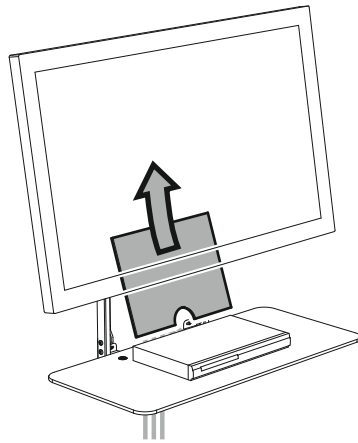
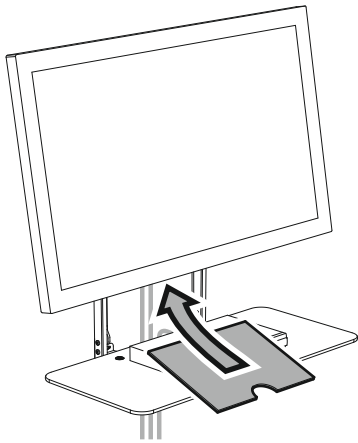


Lubricate screw thread with soap



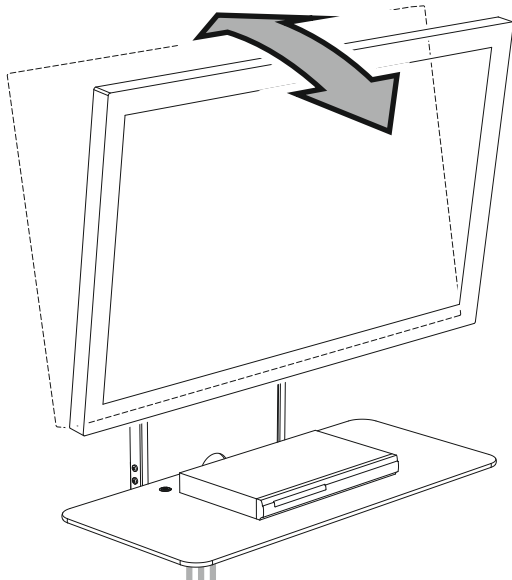
P x2

17 Attach the Trim Panel



18 Optional

Tilt



Lock

