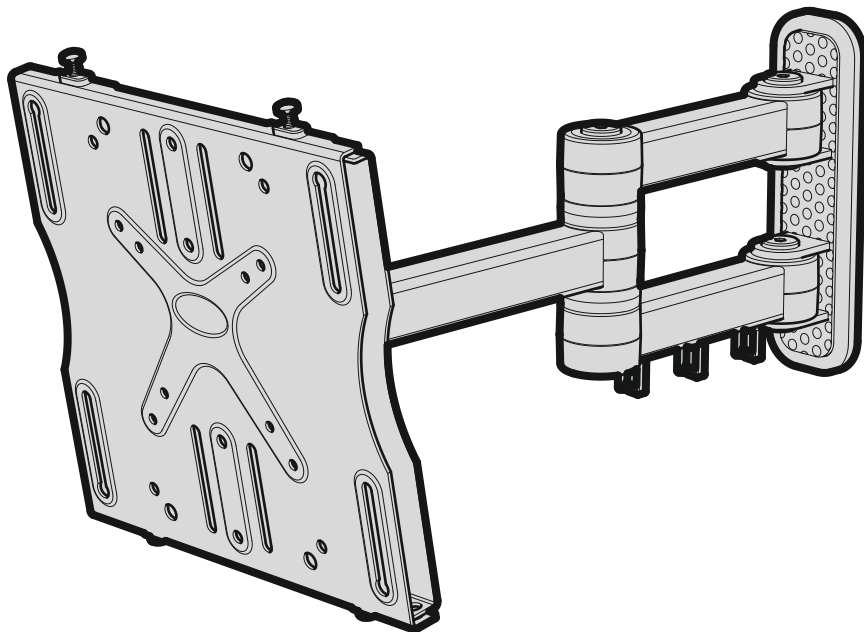


EPL554PBK

Leaflet No. **463688** rev 00



Read through **ALL** instructions before commencing installation.
If you have any questions about this product or issues with installation contact the customer services help line before returning this product to the store.



This bracket is intended for use with **42" Maximum** televisions weighing **Maximum 40kg (88lbs)**. Use with products heavier than maximum weights may result in instability causing possible injury.

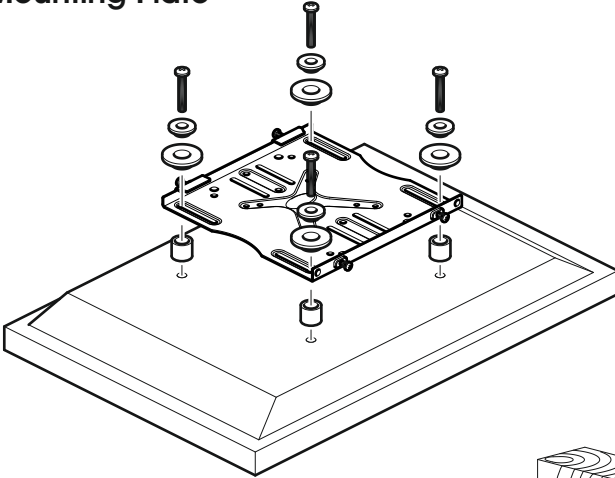
CUSTOMER SERVICES HELP LINE NUMBER:

01952 670009

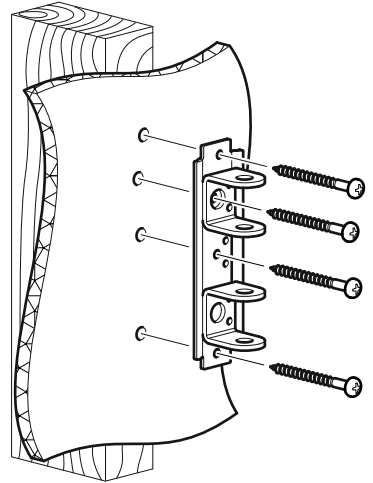


Assembly Overview

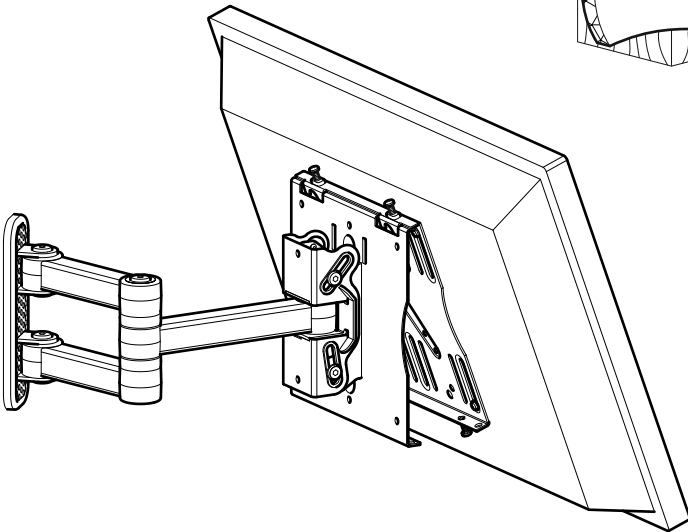
Fit the Mounting Plate



Fit the Wall Bracket



Connect the TV



Index

1 Measure the TV fixing holes Width and Height

2 Preparing the TV Mounting Plate

3 Fitting the TV Mounting Plate

4 Fitting the Wall Bracket

5 Arm Assembly

6 Connecting the TV

Retain all packaging in case the bracket needs to be returned.

Contents may vary from photography/ Illustrations.

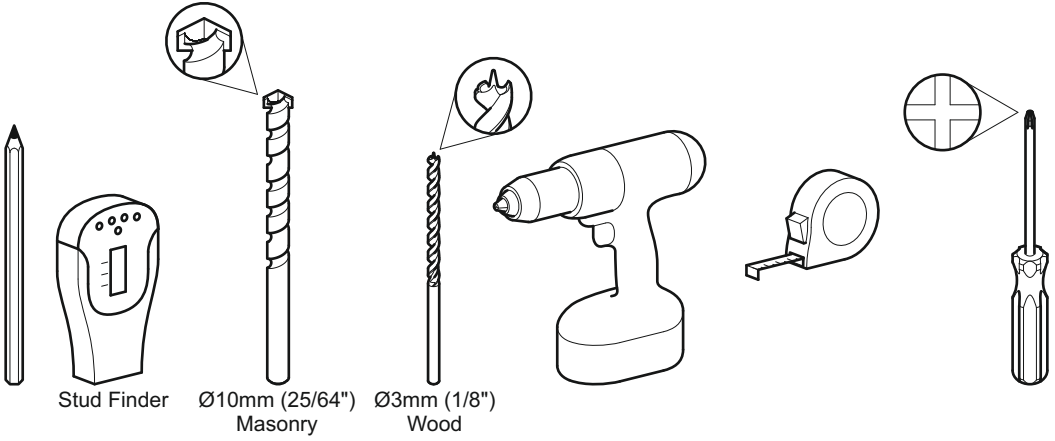
You will not need all these parts, so expect there to be some left over depending upon the specification of your TV.

This product is intended for indoor use only. Use of this product outdoors could lead to failure and personal injury.

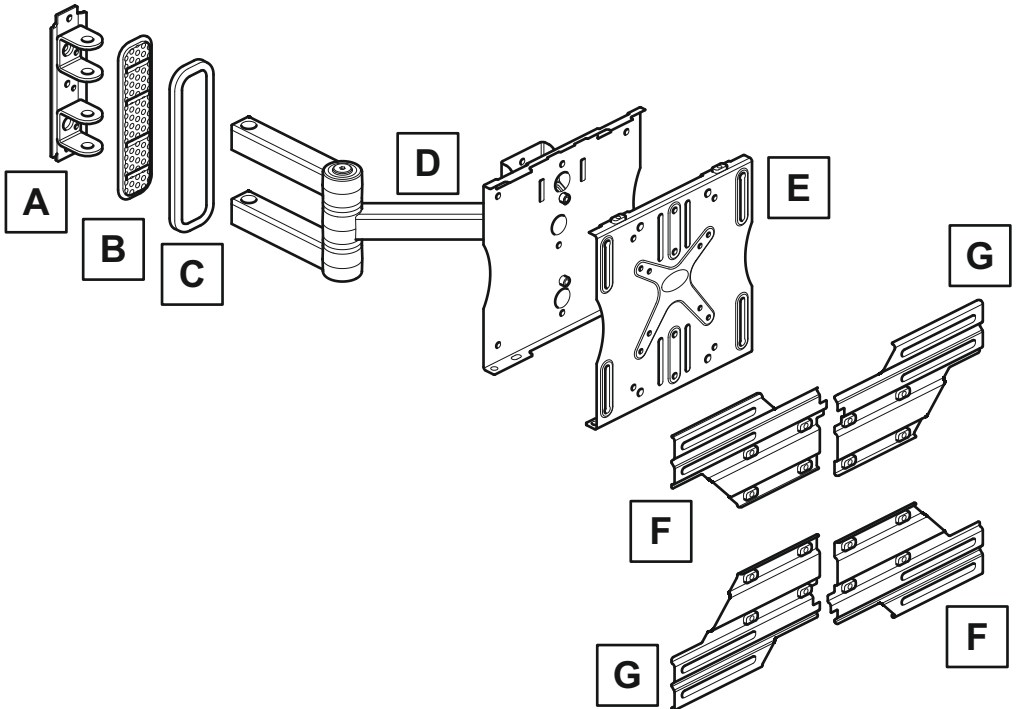
It is the responsibility of the installer to ensure that the mounting wall is of a suitable standard and void of any services (eg gas, electricity, water etc).

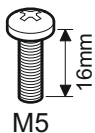
AVF accept no responsibility for any damage or loss caused by installing this product in a sub standard wall.

Tools Recommended

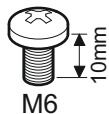


Boxed Parts





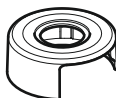
H x4



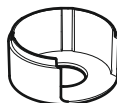
I x8



J x8



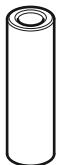
K x2



L x2



M x4



N x2



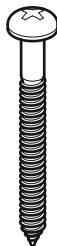
O x4



P x3



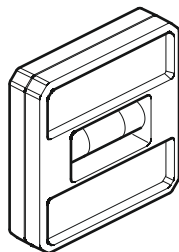
Q x2



R x4



S x4

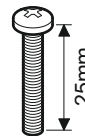


T x1

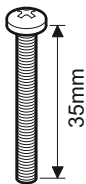
TV Screws, Reducers and Spacers



U1 x4



U2 x4



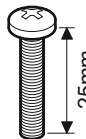
U3 x4



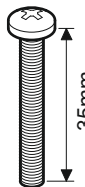
U4 x4



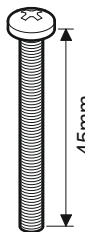
U5 x4



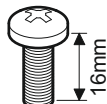
U6 x4



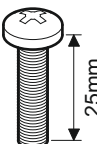
U7 x4



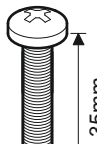
U8 x4



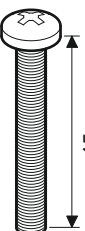
U9 x4



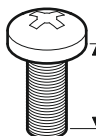
U10 x4



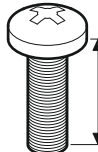
U11 x4



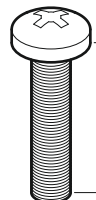
U12 x4



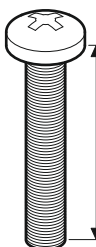
U13 x4



U14 x4



U15 x4



U16 x4



V1 x4



V2 x4



W1 x8



W2 x4

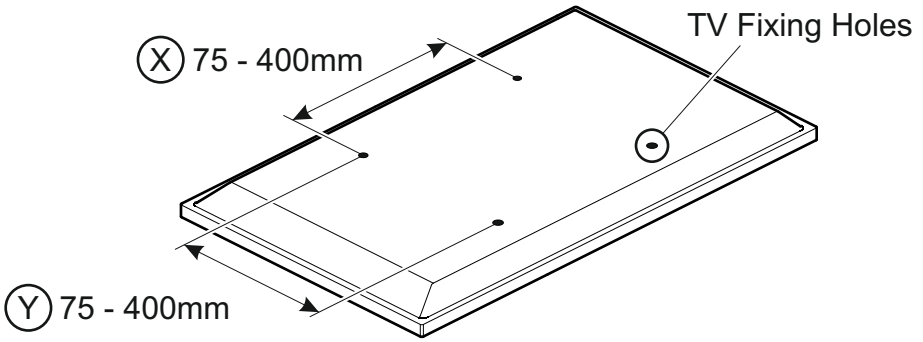


W3 x4



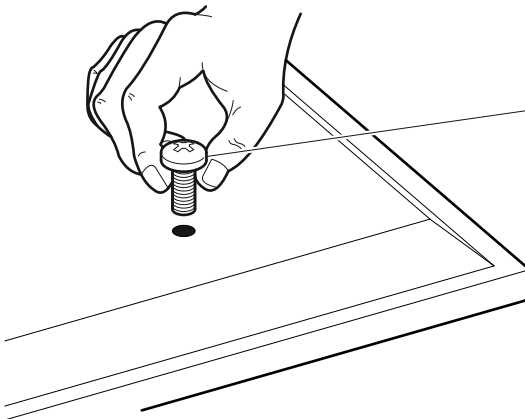
W4 x4

1 Measure the TV fixing holes Width and Height



If width (X) is greater than 400mm or height (Y) greater than 400mm
STOP installation now and contact the customer help line

You are provided with 4 diameters of TV fixing screws, **M4**, **M5**, **M6** and **M8**. Determine the screw diameter that fits and remember for step 3.



M4 =	U1-U4
M5 =	U5-U8
M6 =	U9-U12
M8 =	U13-U16

2 Preparing the TV Mounting Plate

Use the option that fits your TV

OPTION 1

(X) = 75mm - 200mm

(Y) = 75mm - 200mm

OPTION 2

(X) = 200mm - 400mm

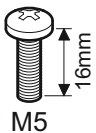
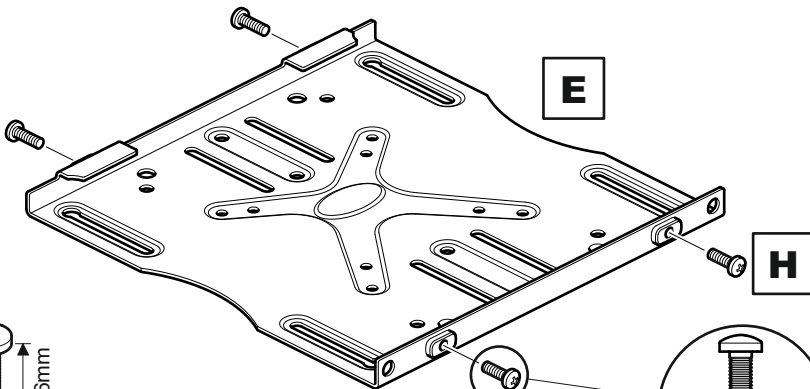
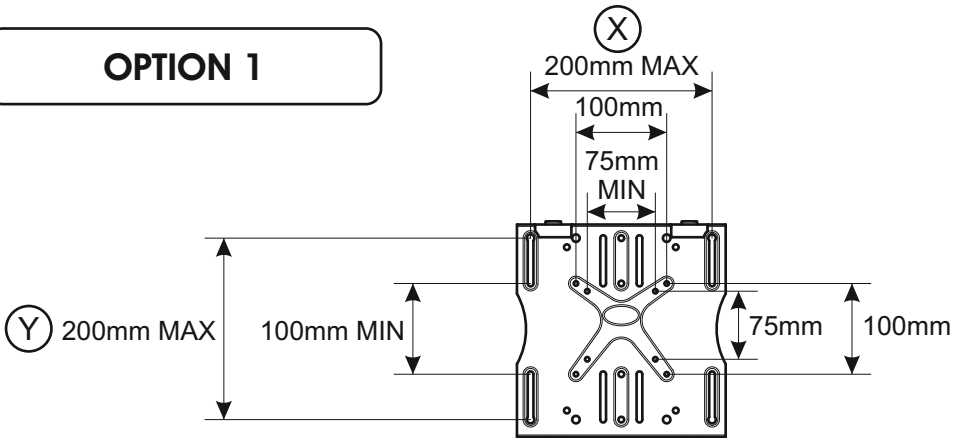
(Y) = 160mm - 300mm

OPTION 3

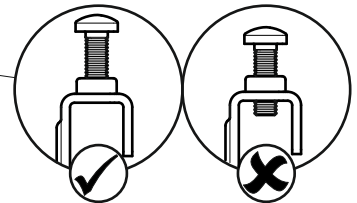
(X) = 200mm - 400mm

(Y) = 240mm - 400mm

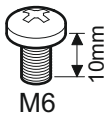
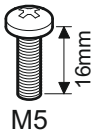
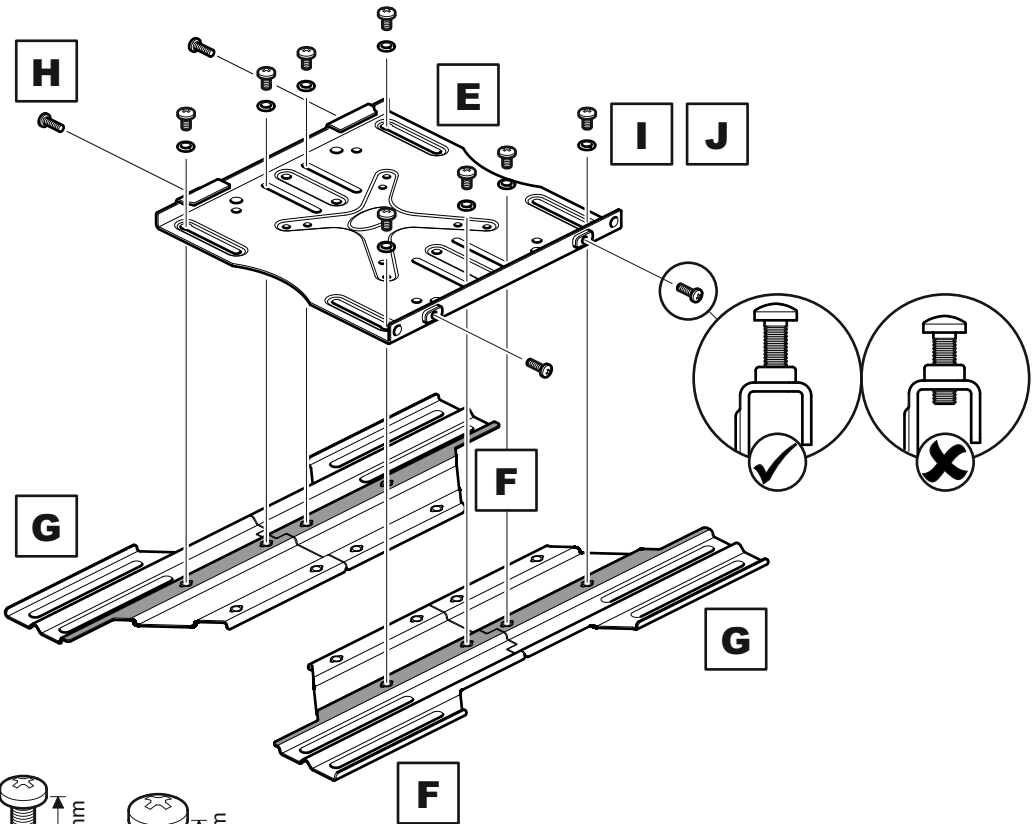
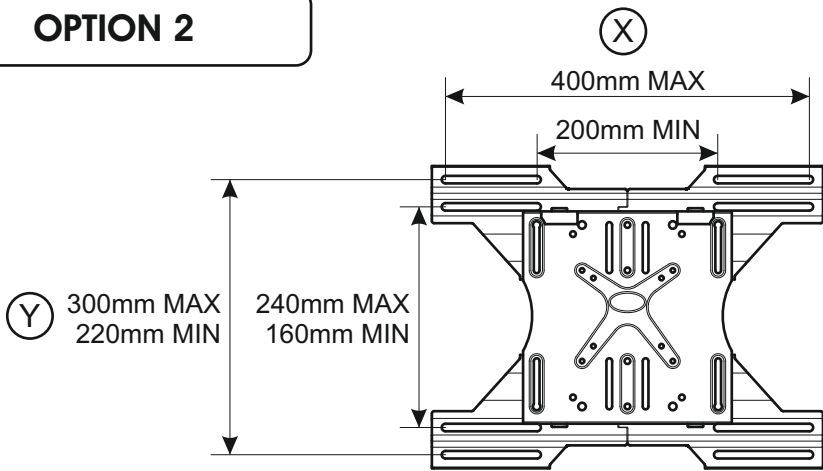
OPTION 1



H x4



OPTION 2



H x4

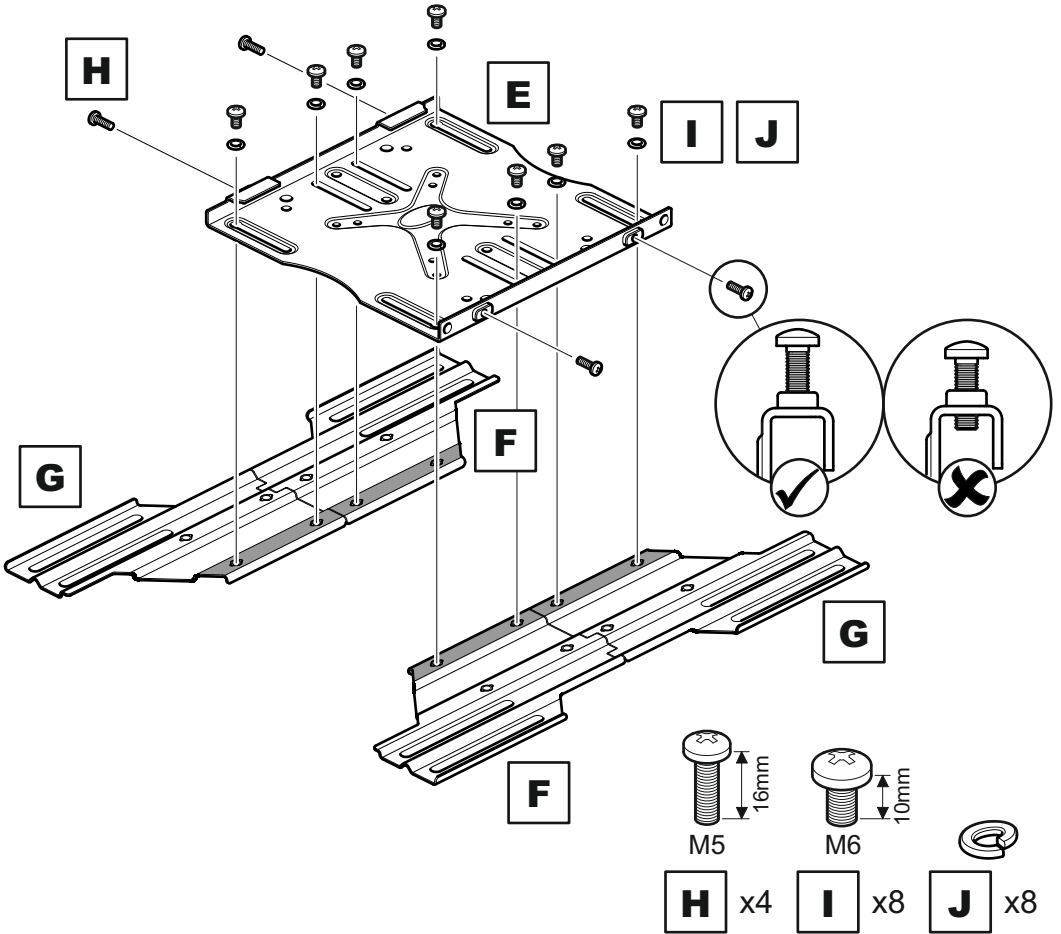
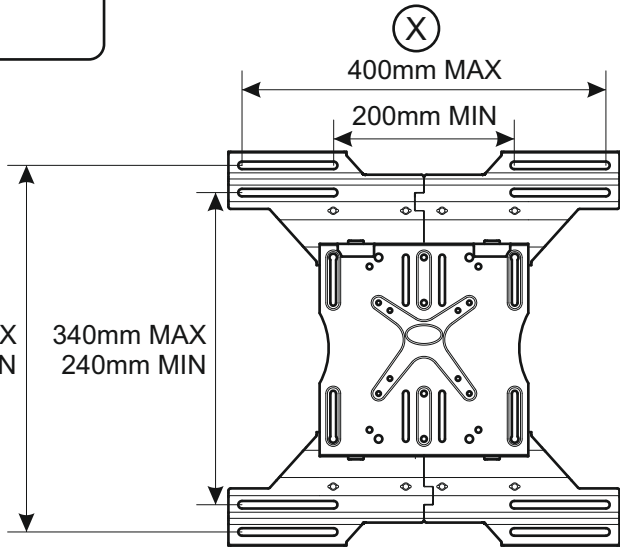
I x8

J x8

OPTION 3

(Y) 400mm MAX
300mm MIN

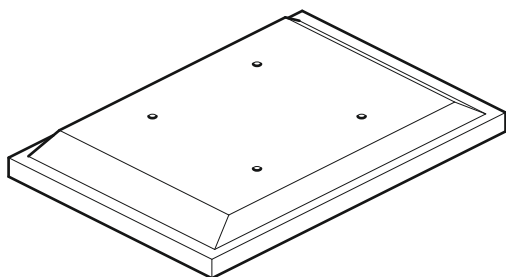
340mm MAX
240mm MIN



3 Fitting the TV Mounting Plate

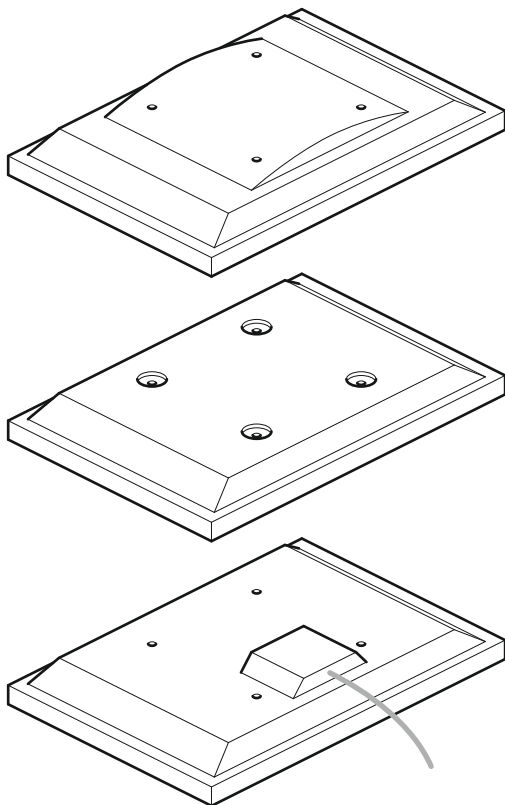
No Spacers

For TVs with flat/unobstructed back

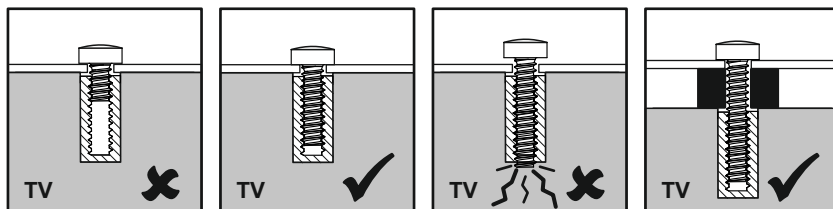


Spacers **W1-W4**

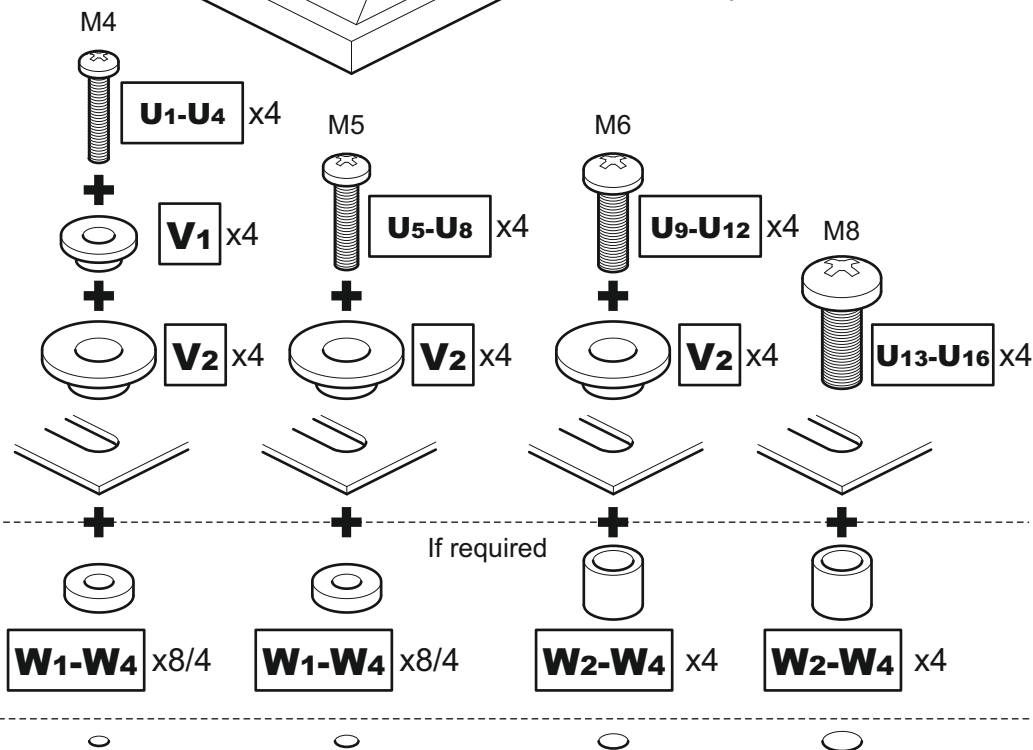
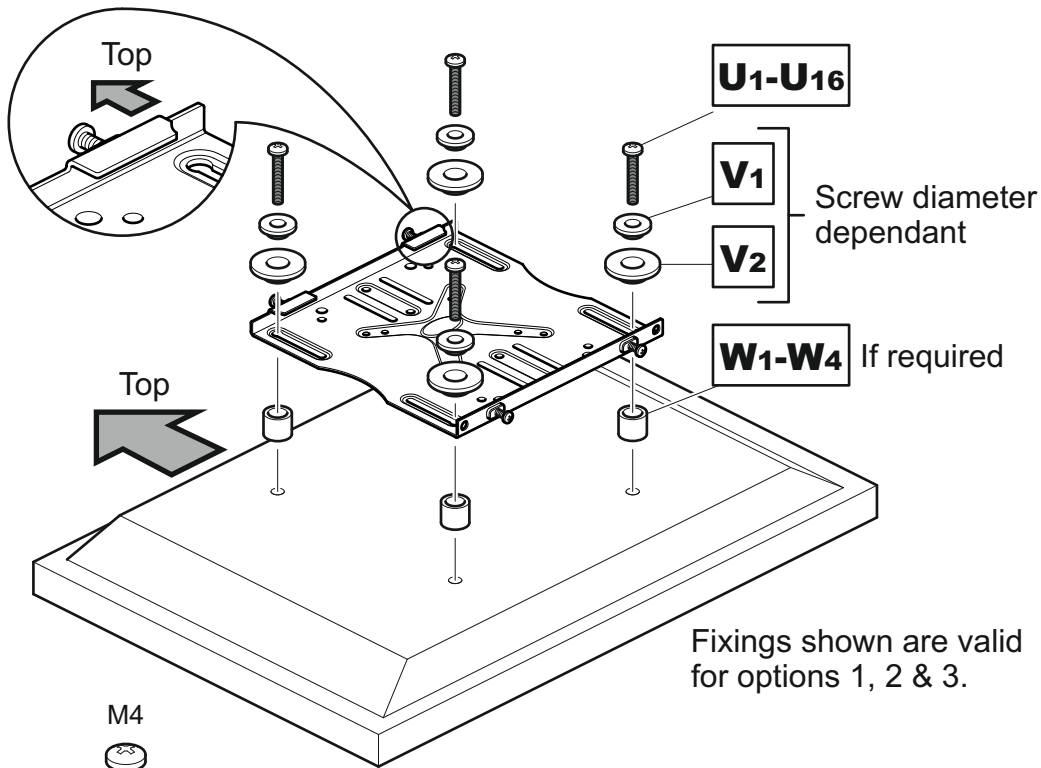
For TVs with irregular/obstructed back



WARNING



After completing step 3 you will have fittings left over, please keep for future reference

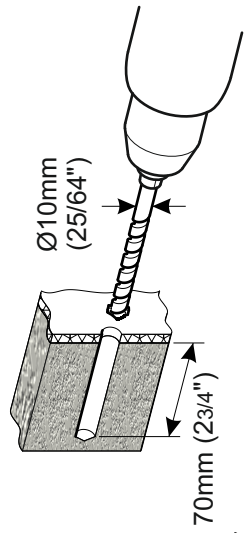
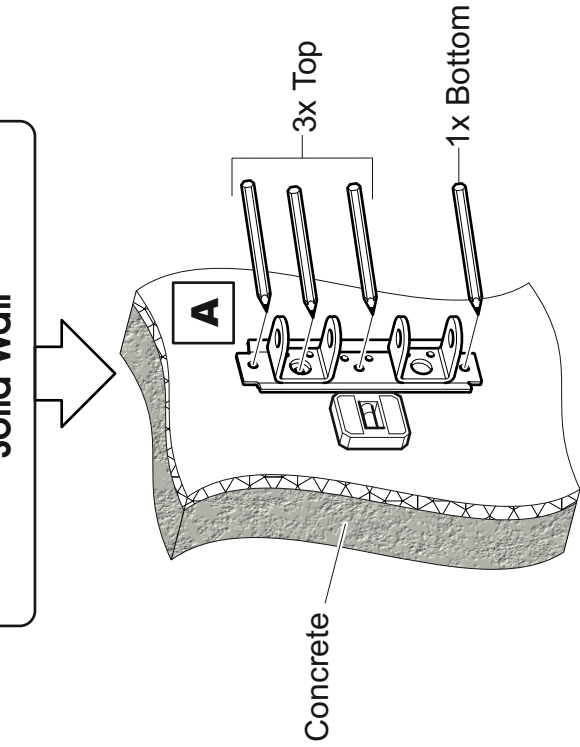


Attach the brackets to the back of your TV using suitable screw, reducer and spacer combinations.

4

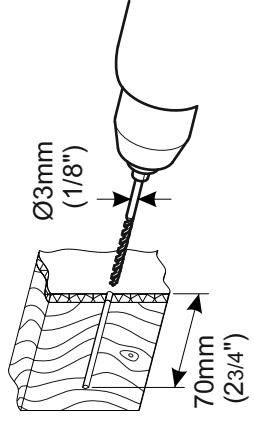
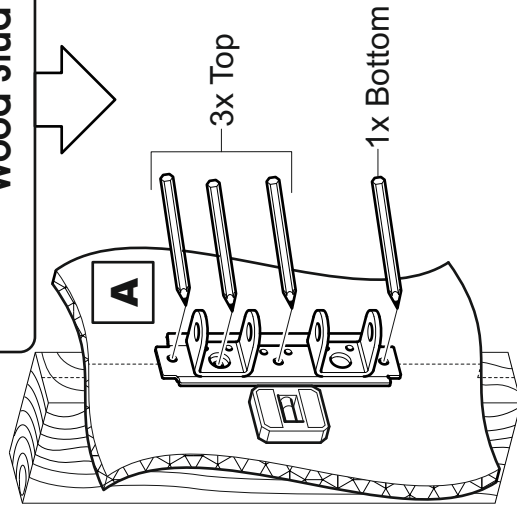
Fitting the Wall Bracket

Solid Wall

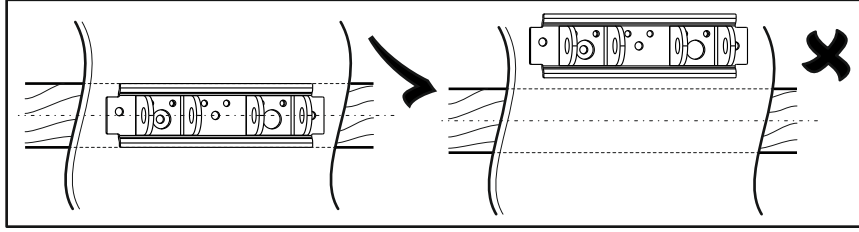


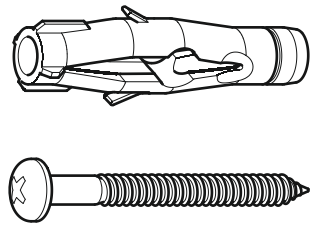
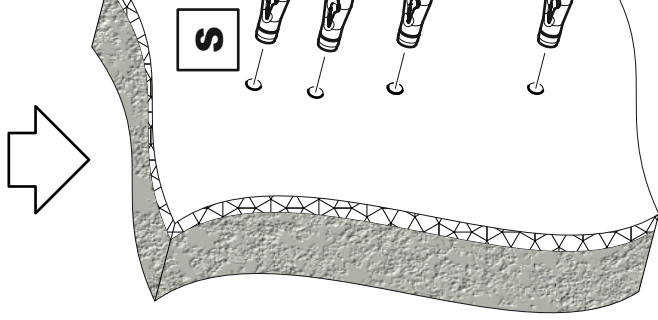
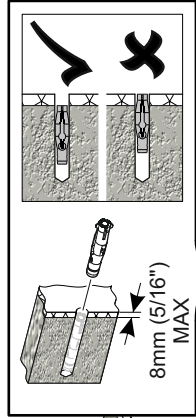
Remove dust from hole

Wood Stud

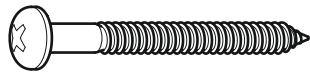


Ensure bracket is in the centre of the wood stud

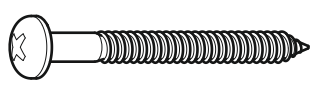
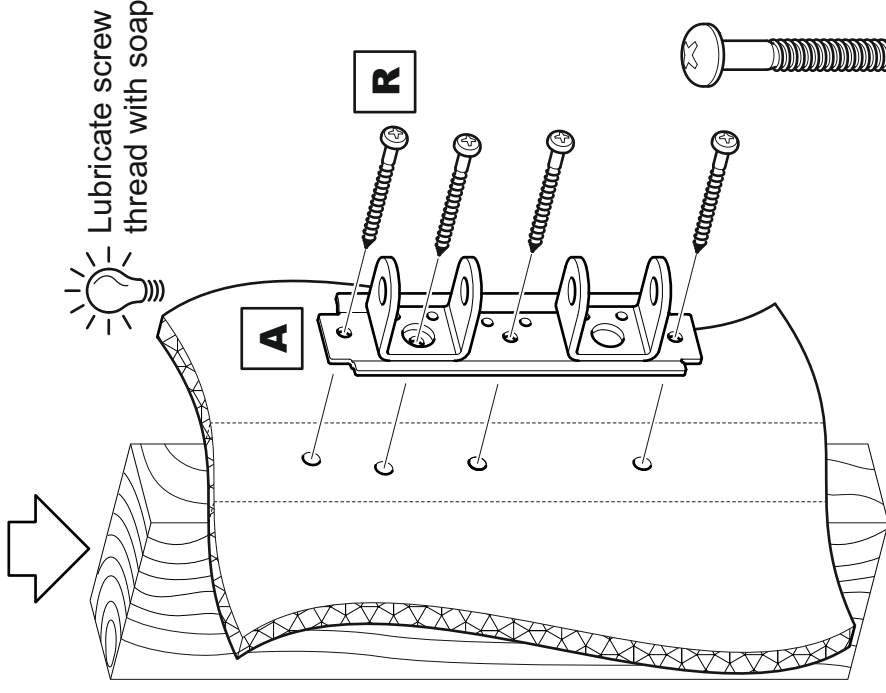




S x4



R x4



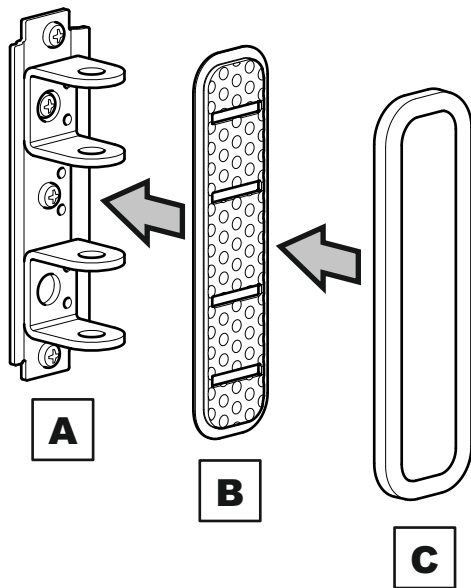
R x4

! DO NOT over tighten screws
Tighten screws by hand only

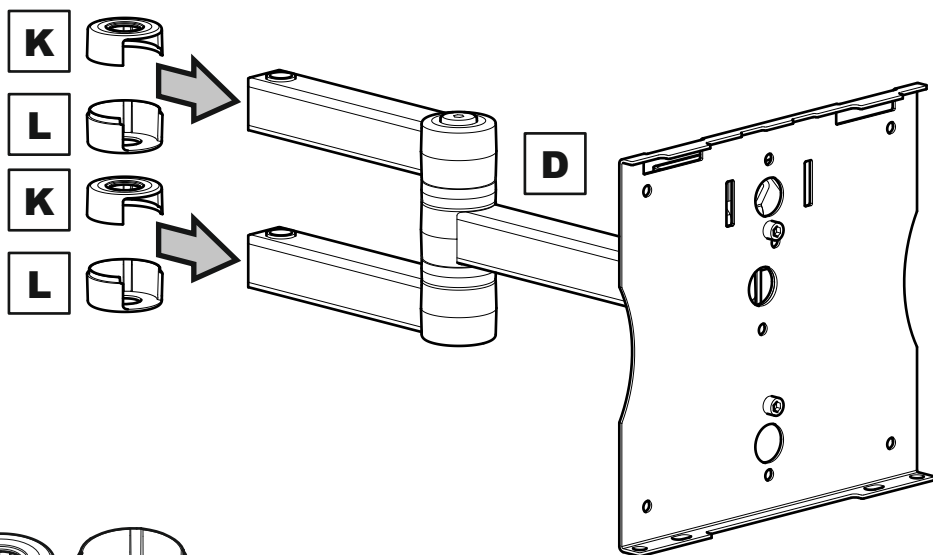
! DO NOT over tighten screws
Tighten screws by hand only

5 Arm Assembly

i

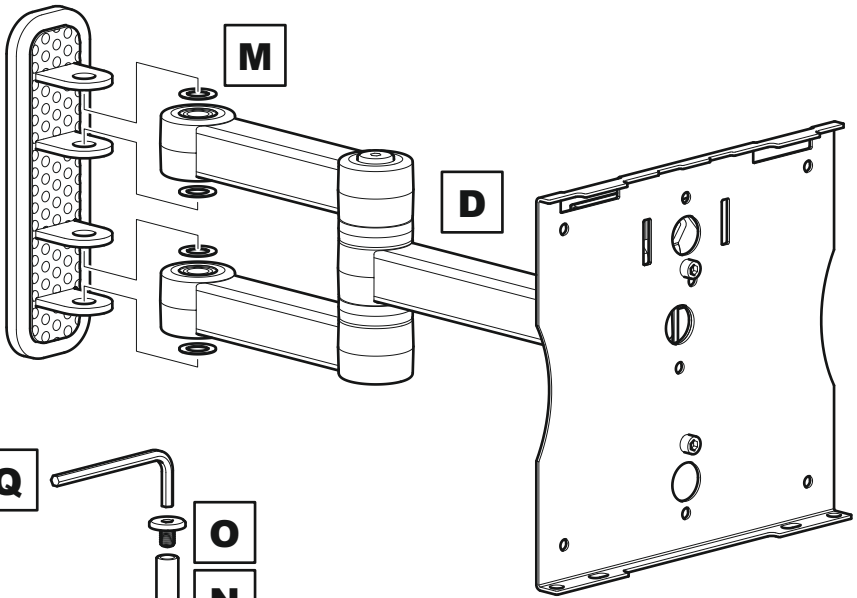


ii

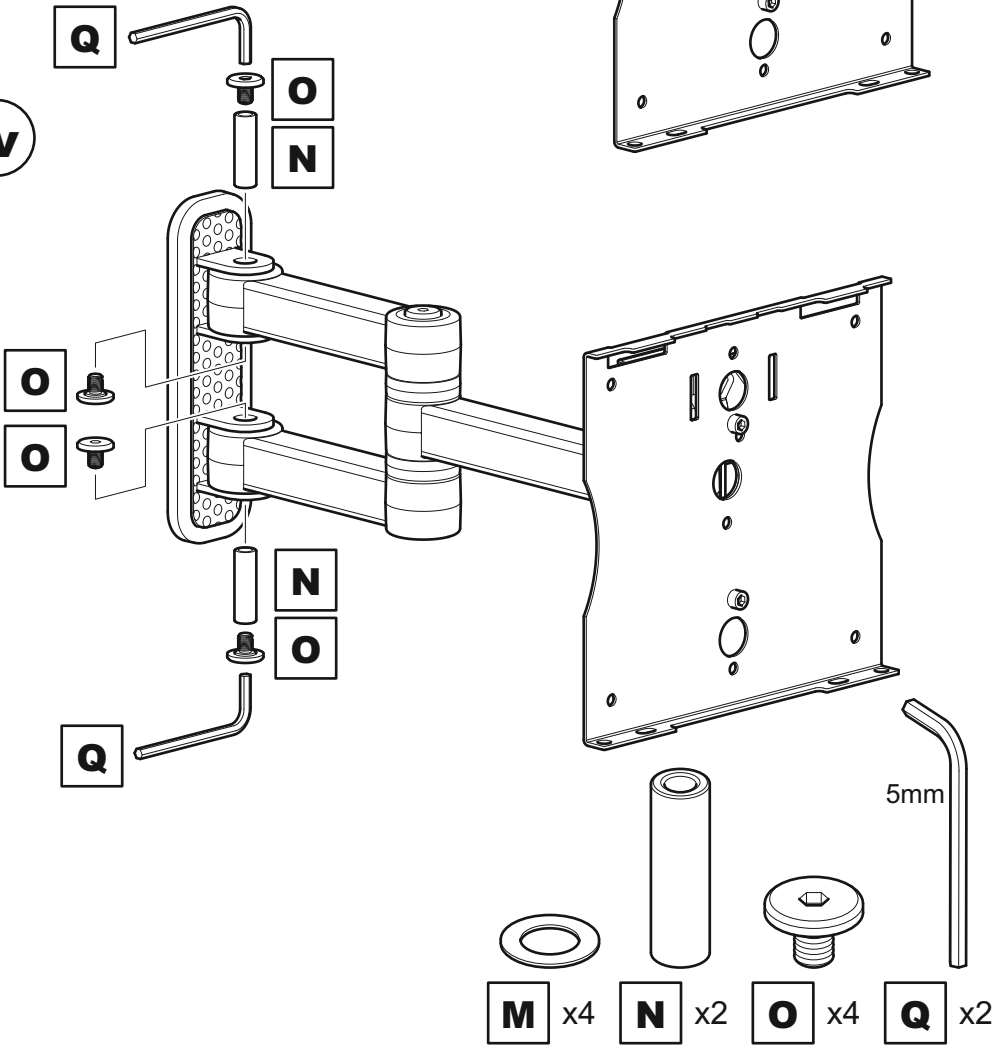


K x2 **L** x2

iii

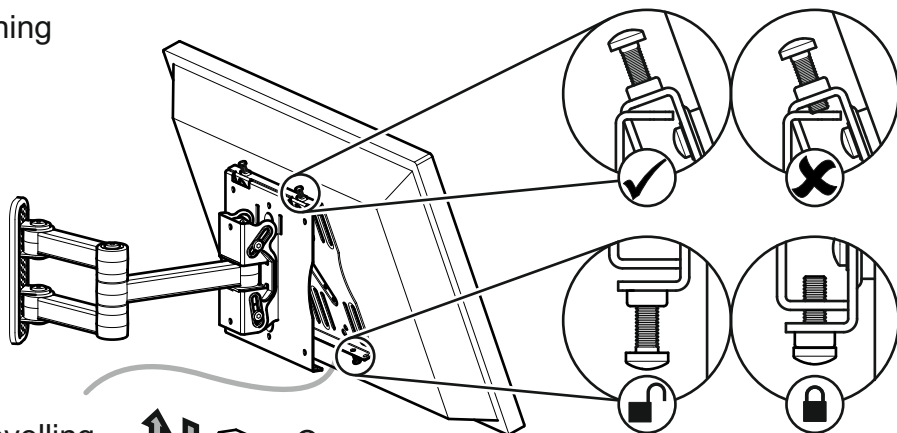


iv

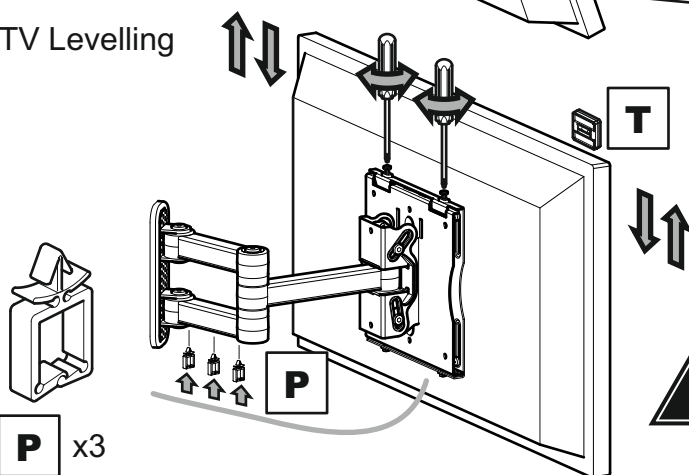



6 Connecting the TV

Attaching



TV Levelling



 Check all fittings are tight

Optional

Lock Tilt

