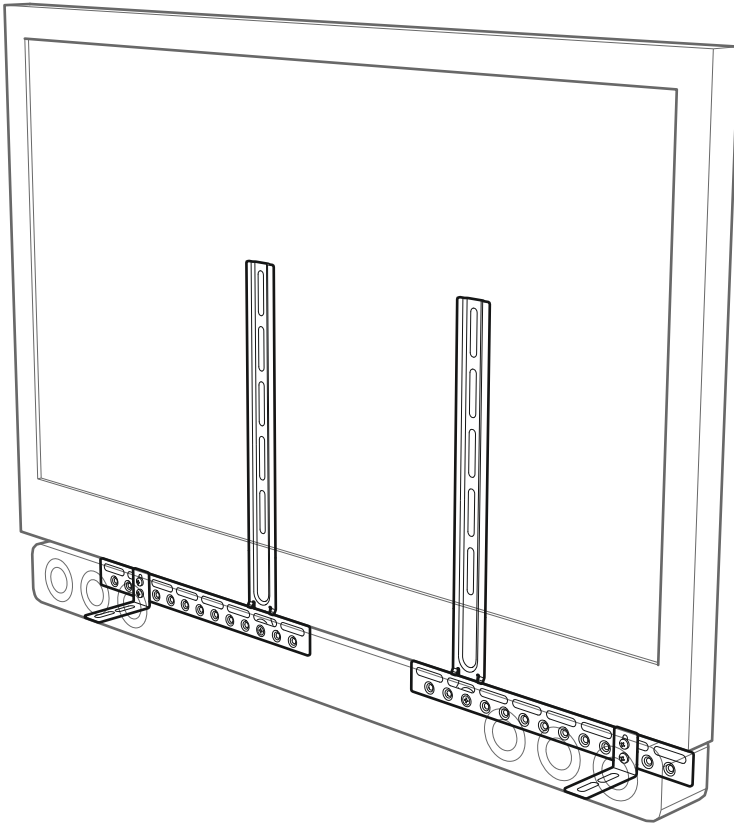


JAK90

Leaflet No. **463683** rev02



*Read through **ALL** instructions before commencing installation. If you have any questions about this product or issues with installation contact the customer services helpline before returning this product to the store. See jl.avfgroup.com/p/jak90 for more information.*

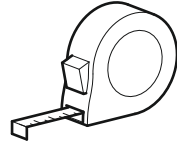
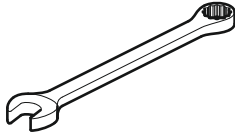
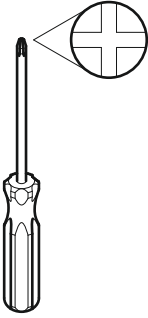
CUSTOMER SERVICES HELP LINE NUMBER:

01952 670009

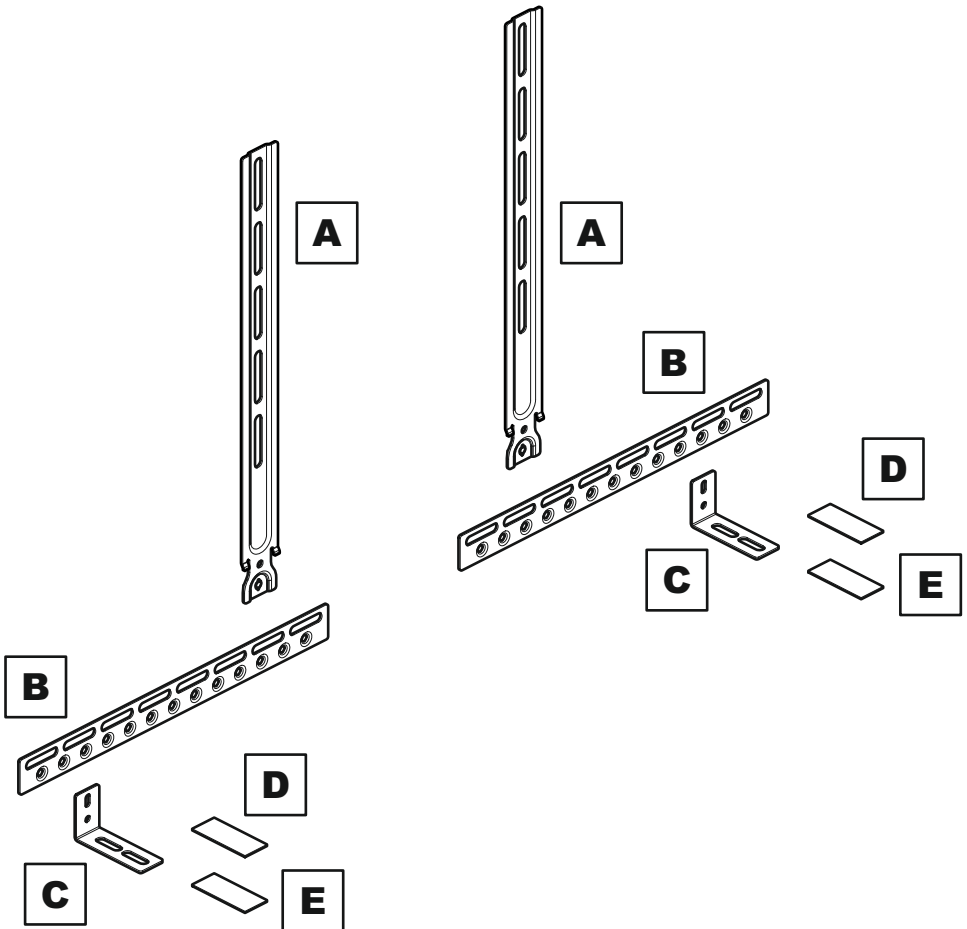


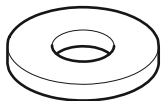
AVF Group Ltd. Hortonwood 30, Telford, Shropshire, TF1 7YE, England

Tools Required



Boxed Parts





F x2



G x2



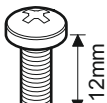
H x2



I1 x6

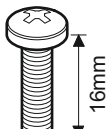


I2 x4



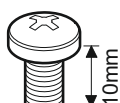
M4

J1 x2



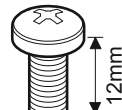
M4

J2 x2



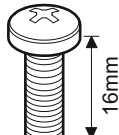
M5

J3 x2



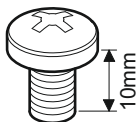
M5

J4 x4



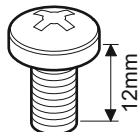
M5

J5 x2



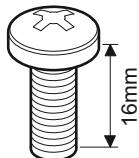
M6

J6 x2



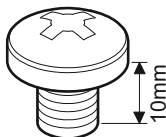
M6

J7 x2



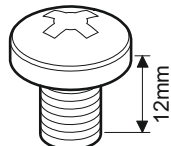
M6

J8 x2



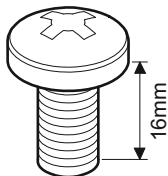
M8

J9 x2



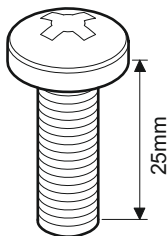
M8

J10 x2



M8

J11 x2



M8

J12 x2



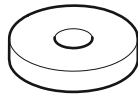
K x2



L x4



M x2



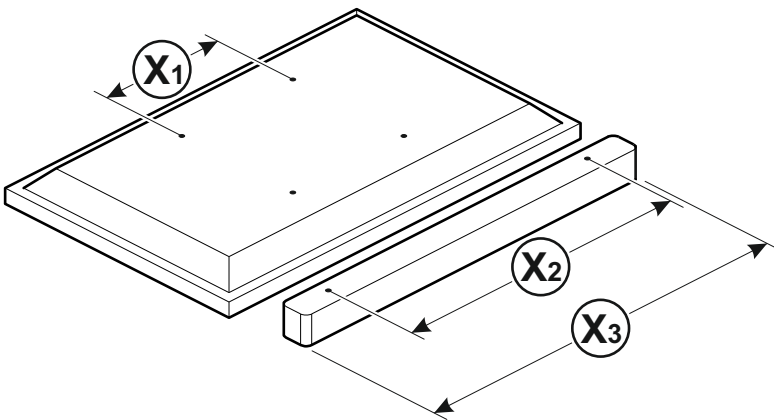
N x2

Introduction

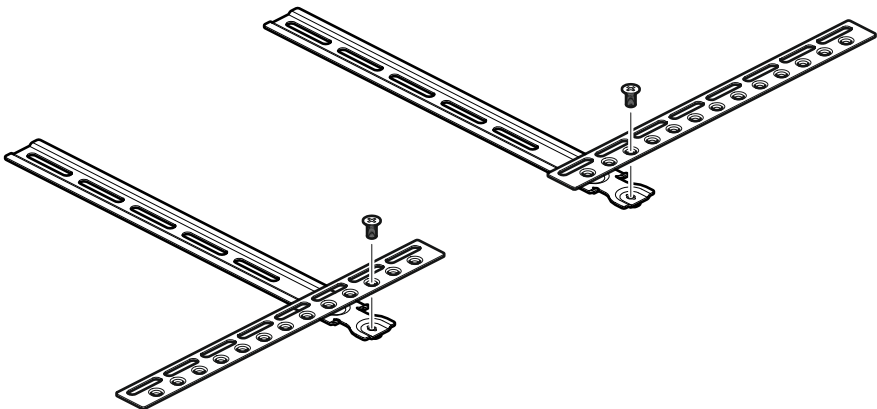
Before you begin please take time to read through this introduction and instructions to familiarise yourself with the product and to also help you select the best way to attach your Soundbar. This instruction manual covers many different configurations and is very comprehensive. Please do not be put off by this as you will only need to follow a few steps.

This introduction gives you a basic idea as to what steps are involved in mounting your Soundbar to your TV.

Measure your TV and Soundbar fixing holes



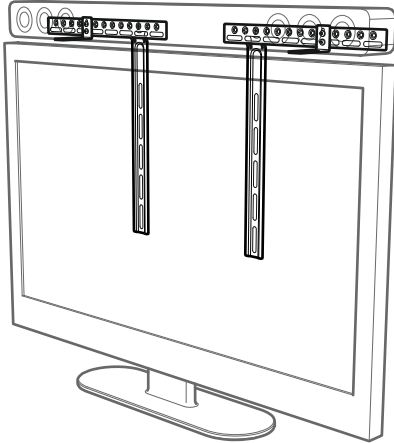
Prepare the Soundbar Mount Bracket



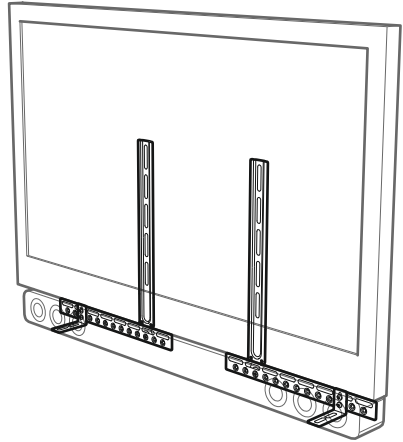
Mounting Above or Below?

Before you start to mount your Soundbar to your TV you will need to decide if you are going to mount your Soundbar above your TV or below your TV

Mounting Above Follow steps 3 to 8



Mounting Below Please go to step 9



You will then need to attach the Soundbar to your TV. See below for a description of the different fixing methods available.

Screwing to the Back of the Soundbar

Use this method if you have no clashes with the TV and Soundbar fixing holes.

Screwing to the Bottom of the Soundbar

Use this method if you have no clashes with the TV and Soundbar fixing holes.

Attaching the Soundbar with Hook and Loop

Use this method if your Soundbar has no fixing holes or if there are clashes.

Attaching the Soundbar with Manufacturers Bracket

Use this method if a Bracket is supplied by the Manufacturer. You will also find more information in the Manufacturers instructions.

Attaching the Soundbar with Keyhole Pin

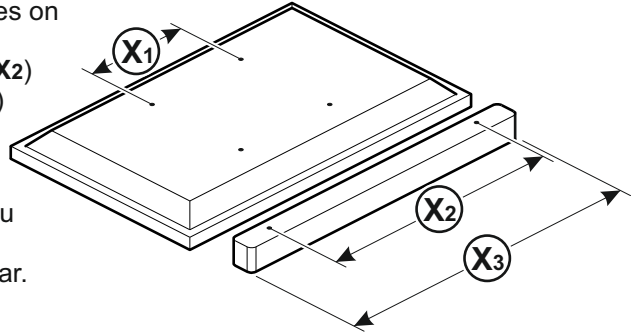
Use this method if your Soundbar has Keyhole fixing holes.

1

Measure your TV and Soundbar fixing holes

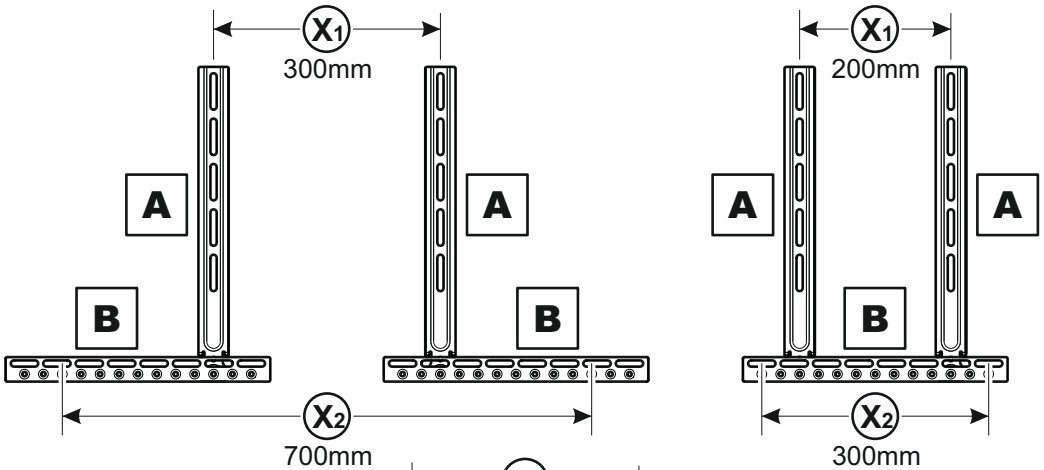
Measure the width of the fixing holes on the back of your TV (**X1**) and the back or bottom of your Soundbar (**X2**) or the length of your Soundbar (**X3**) if it has no fixing holes.

If your TV fixing holes and Soundbar fixing holes are equal you will not be able to screw directly to the back or bottom of your Soundbar. In this case you will need to use a different method for attaching.

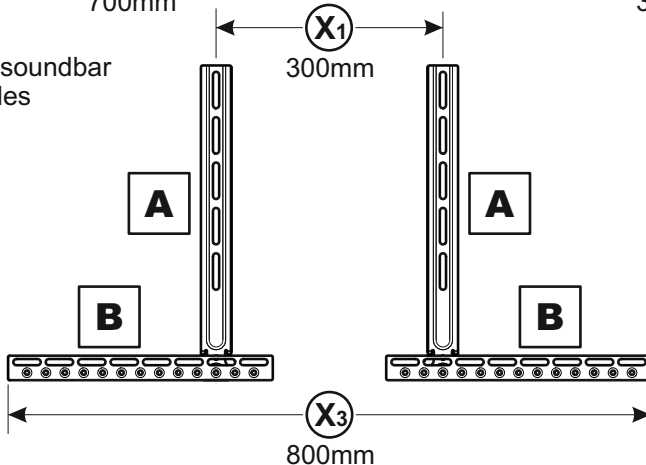


Before you attach horizontal bracket **B** to vertical bracket **A** use measurements **X1** and **X2** or **X1** and **X3** to decide the best configuration. Please see below for examples.

Examples below show soundbar with fixing holes



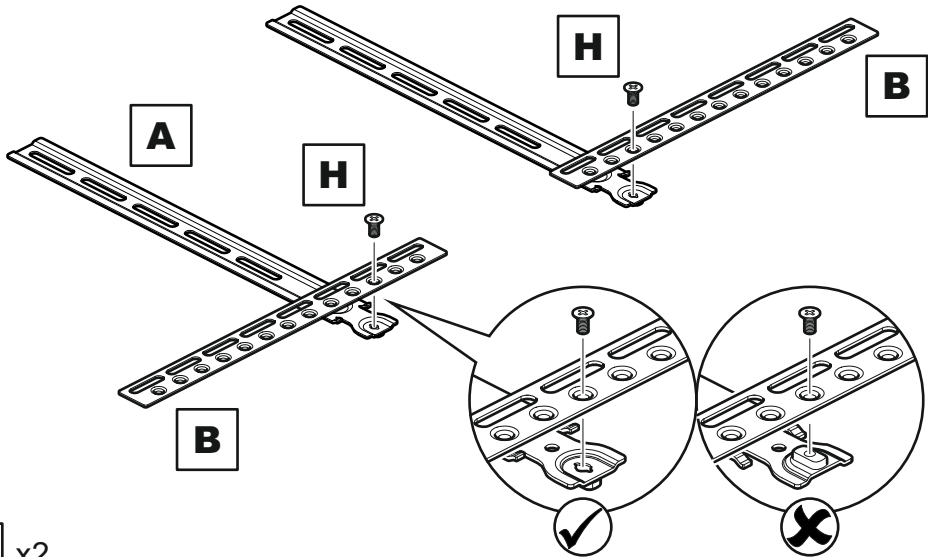
Example shows soundbar with no fixing holes



2

Prepare the Soundbar Mount Bracket

Use measurements X1 & X2 or X3 from Step 1

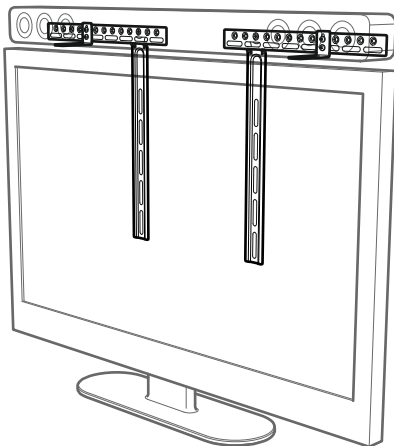


Mounting Above or Below?

Before you start to mount your Soundbar to your TV you will need to decide if you are going to mount your Soundbar above your TV or below your TV

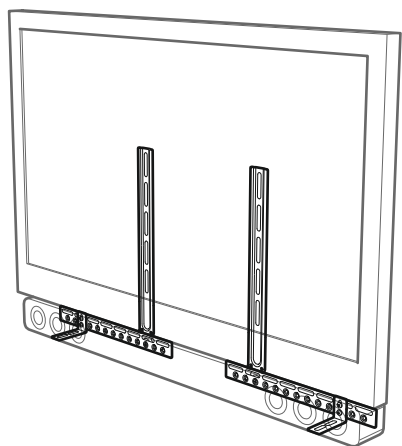
Mounting Above

Follow steps 3 to 8



Mounting Below

Please go to step 9



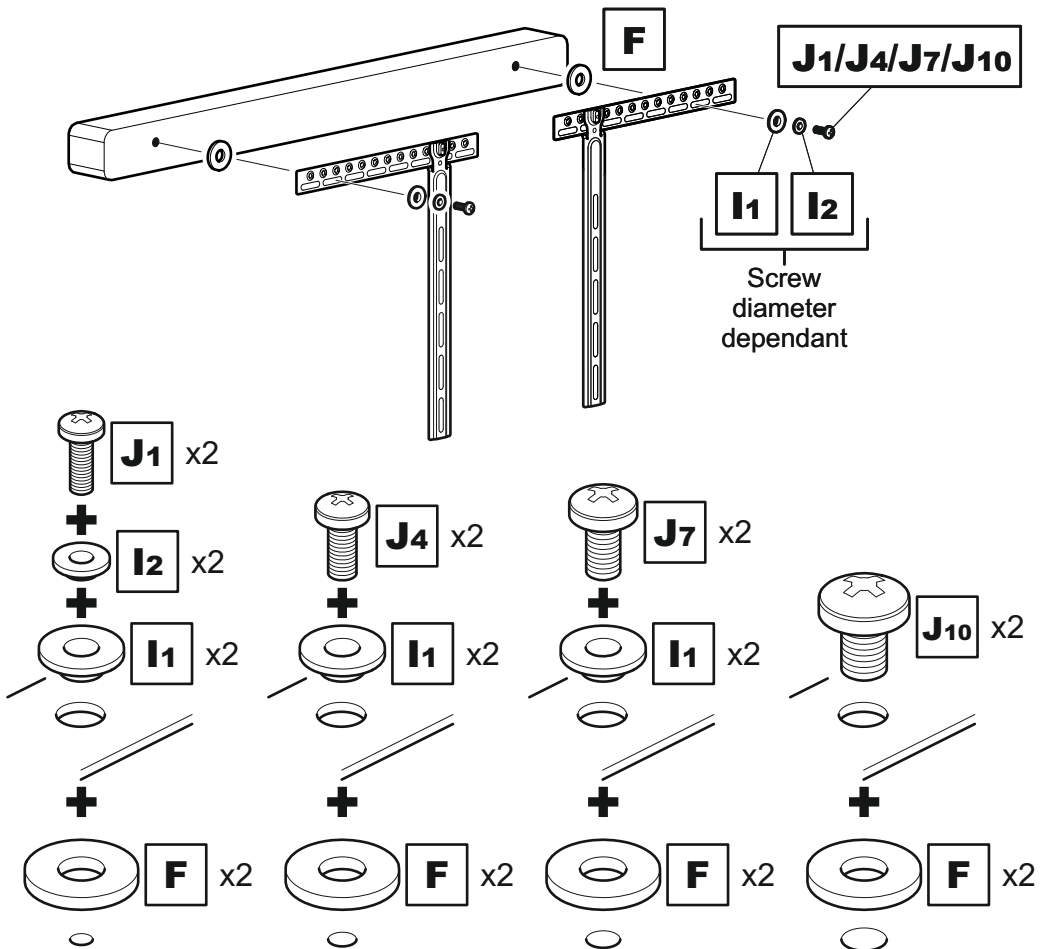
Mounting Above

You only need to follow one of steps 3 to 7 if you have chosen to have your Soundbar mounted above your TV.

Please select your method of attaching your Soundbar to your TV and follow the appropriate steps.

- Screwing to the Back of the Soundbar - **Step 3**
- Screwing to the Bottom of the Soundbar - **Step 4**
- Attaching the Soundbar with Hook and Loop - **Step 5**
- Attaching the Soundbar with Manufacturers Bracket - **Step 6**
- Attaching the Soundbar with Keyhole Pin - **Step 7**

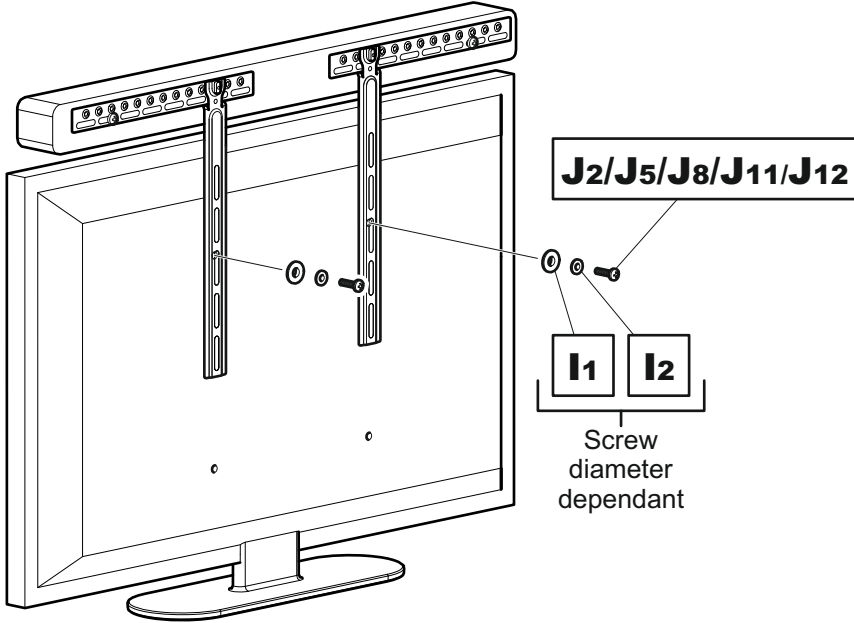
3 Screwing to the Back of the Soundbar



Attach the brackets to the back of your TV using suitable screw and reducer combinations.

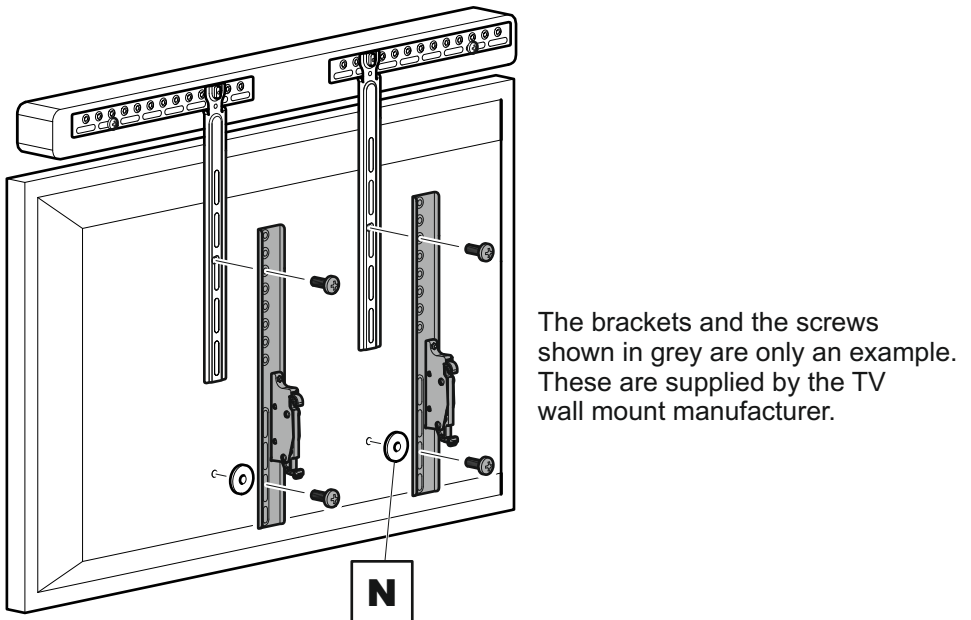
Free Standing TV

If you are attaching your Soundbar to a free standing TV please use this step in conjunction with step 8



Wall Mounted TV

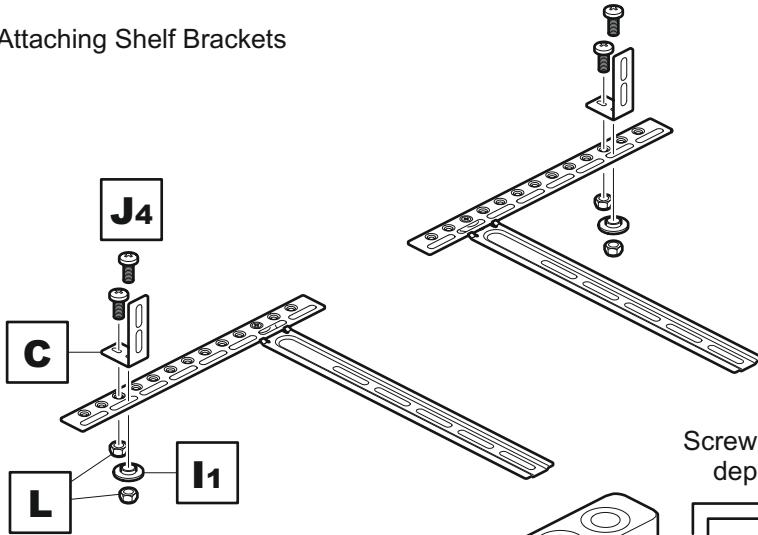
If you are attaching your Soundbar to a wall mounted TV please use this step in conjunction with the instructions provided with your TV wall mount.



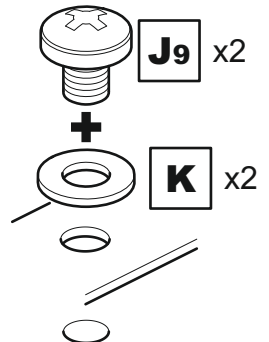
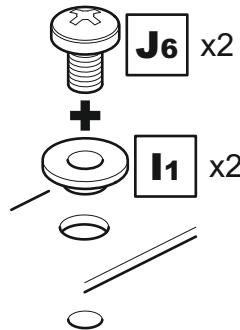
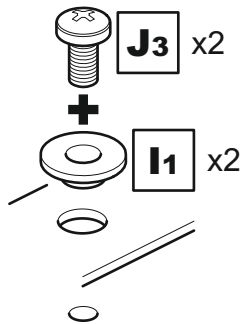
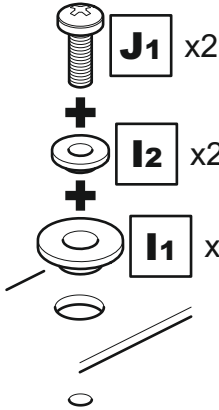
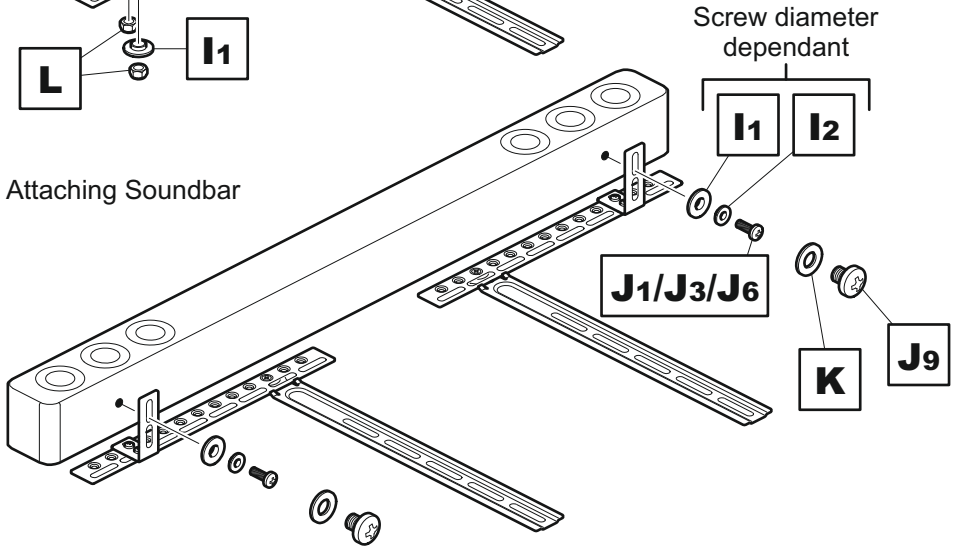
4

Screwing to the Bottom of the Soundbar

i Attaching Shelf Brackets



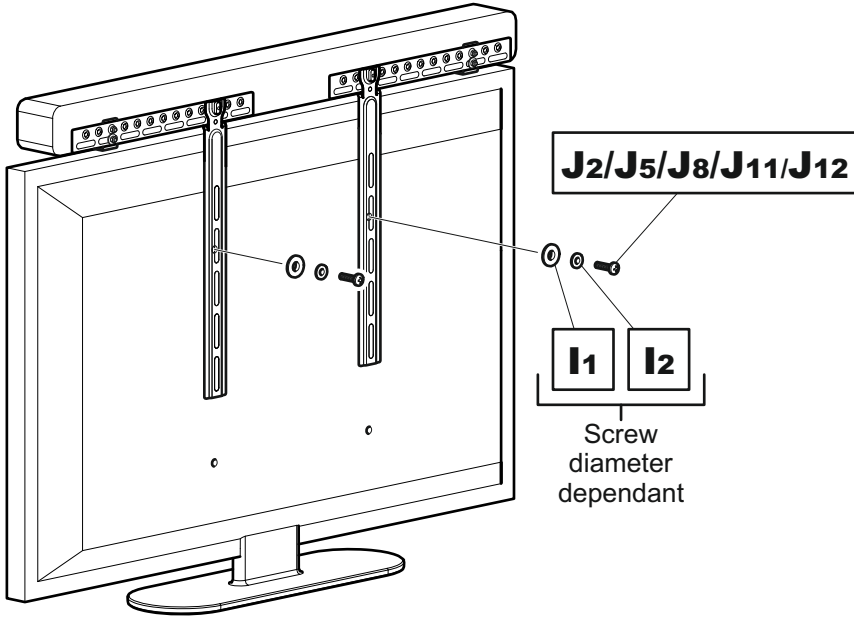
ii Attaching Soundbar



Attach the brackets to the back of your TV using suitable screw and reducer combinations.

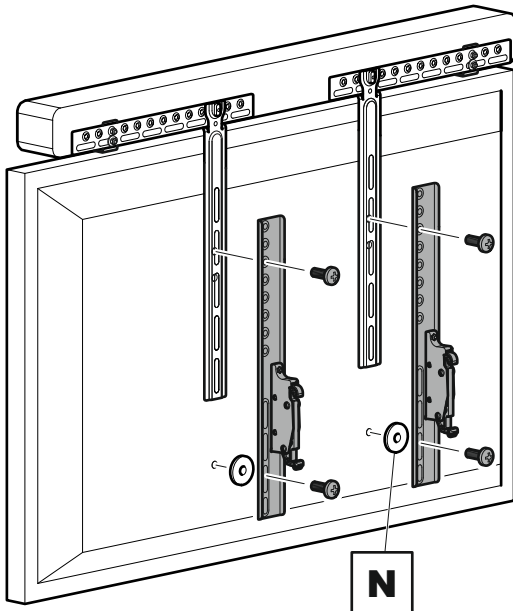
Free Standing TV

If you are attaching your Soundbar to a free standing TV please use this step in conjunction with step 8



Wall Mounted TV

If you are attaching your Soundbar to a wall mounted TV please use this step in conjunction with the instructions provided with your TV wall mount.

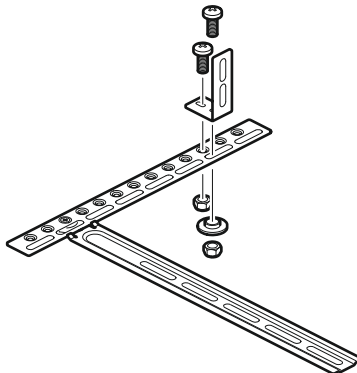
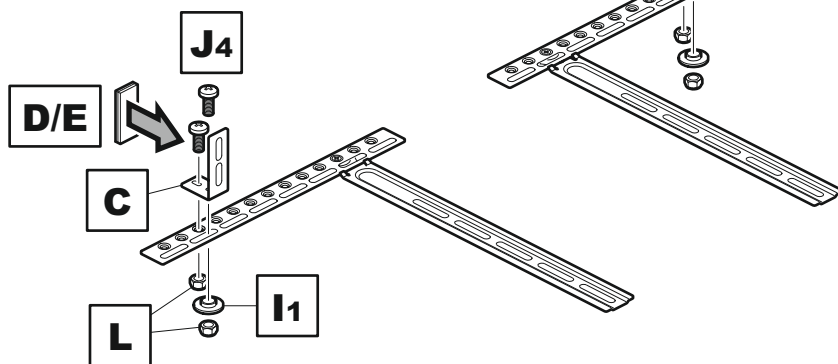


The brackets and the screws shown in grey are only an example. These are supplied by the TV wall mount manufacturer.

5

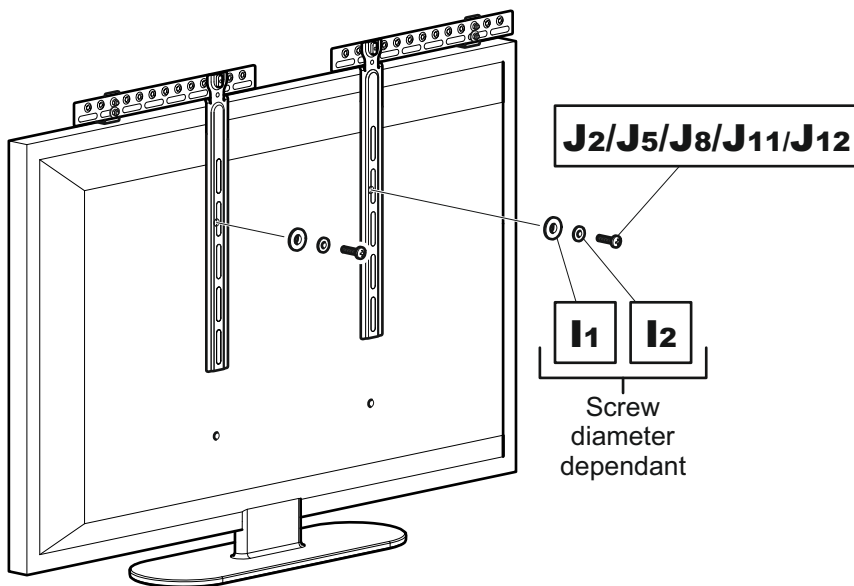
Attaching the Soundbar with Hook and Loop

i Attaching Shelf Brackets and Hook and Loop Pads



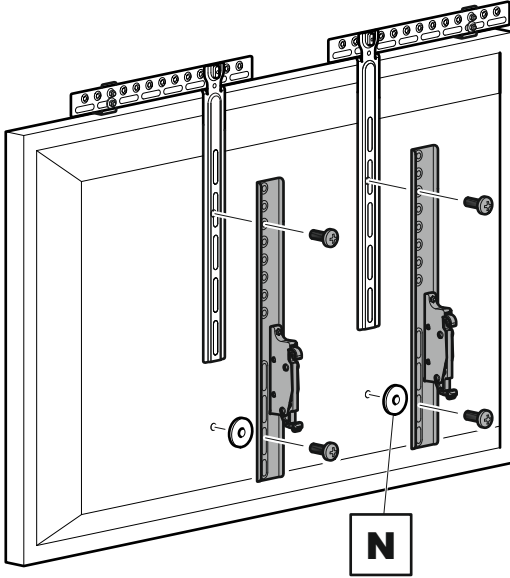
Free Standing TV

If you are attaching your Soundbar to a free standing TV please use this step in conjunction with step 8



Wall Mounted TV

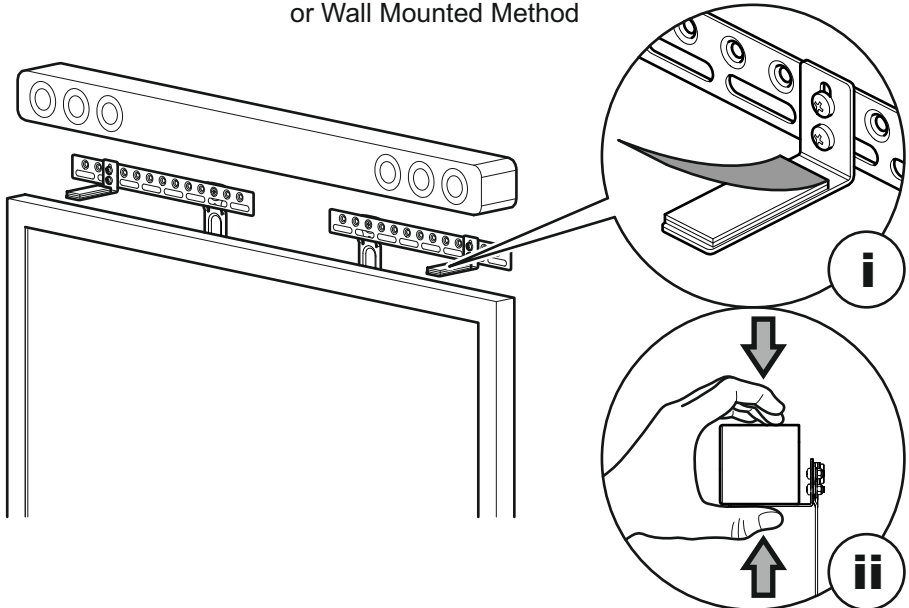
If you are attaching your Soundbar to a wall mounted TV please use this step in conjunction with the instructions provided with your TV wall mount.



The brackets and the screws shown in grey are only an example. These are supplied by the TV wall mount manufacturer.

Free Standing TV or Wall Mounted TV

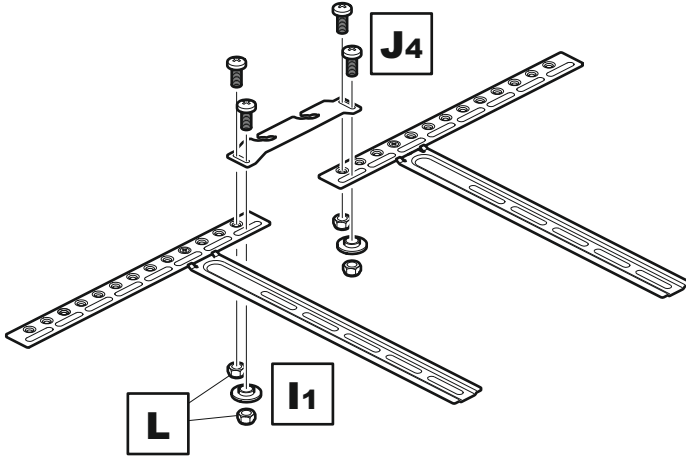
This step is for Free Standing or Wall Mounted Method



6

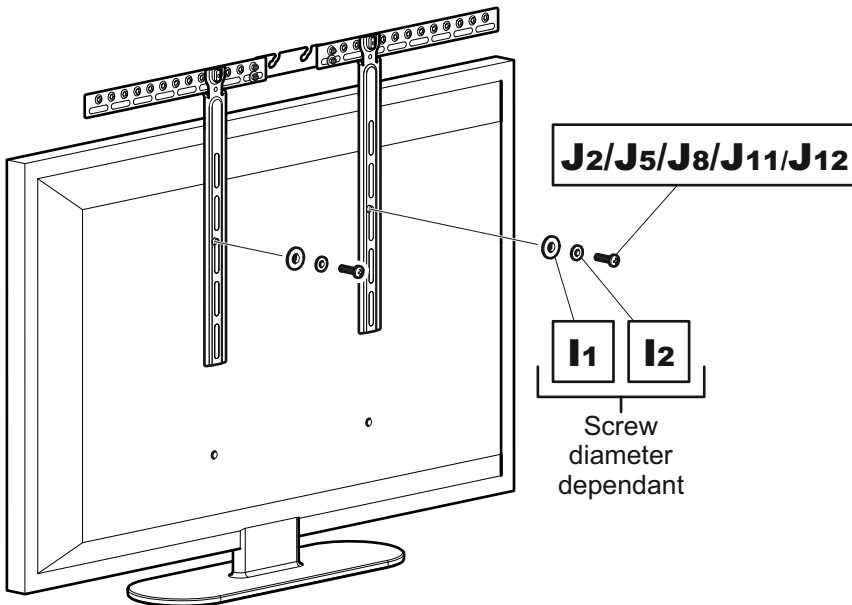
Attaching the Soundbar with Manufacturers Bracket

i Attaching manufacturers bracket. Please note this bracket is not included. The image below shows an example of a bracket.



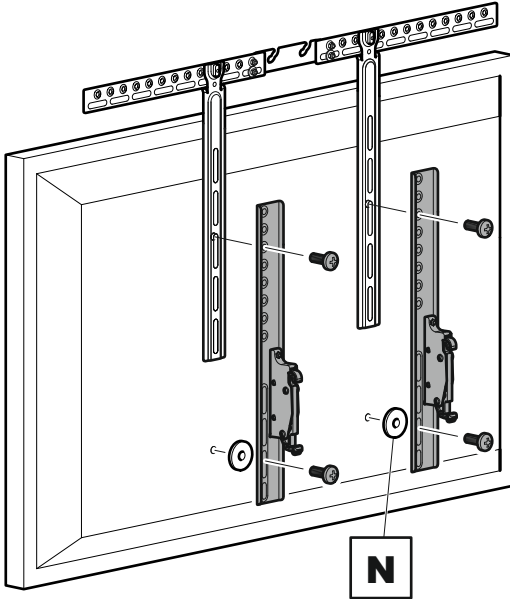
Free Standing TV

If you are attaching your Soundbar to a free standing TV please use this step in conjunction with step 8



Wall Mounted TV

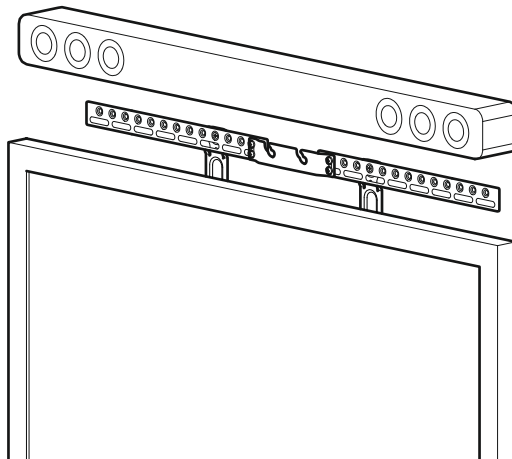
If you are attaching your Soundbar to a wall mounted TV please use this step in conjunction with the instructions provided with your TV wall mount.



The brackets and the screws shown in grey are only an example. These are supplied by the TV wall mount manufacturer.

Free Standing TV or Wall Mounted TV

This step is for Free Standing or Wall Mounted TV
Attach your Soundbar as per the manufacturers instructions



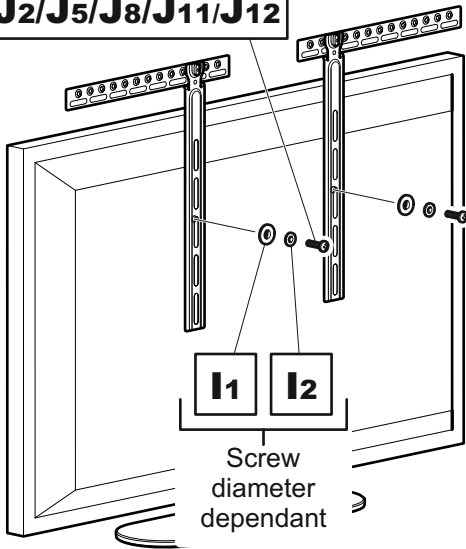
7

Attaching to Soundbar with Keyhole Pin

Free Standing TV

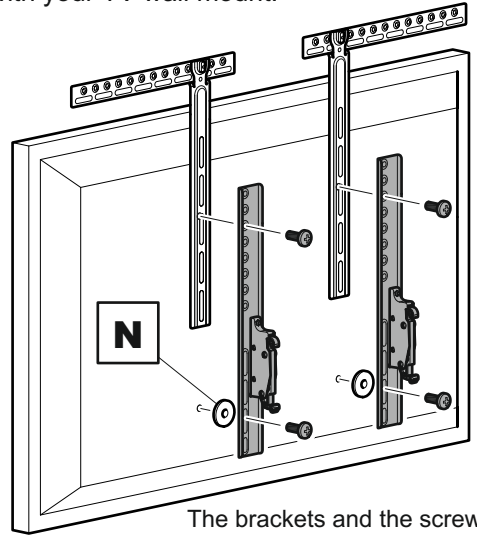
If you are attaching your Soundbar to a free standing TV please use this step in conjunction with step 8

J2/J5/J8/J11/J12



Wall Mounted TV

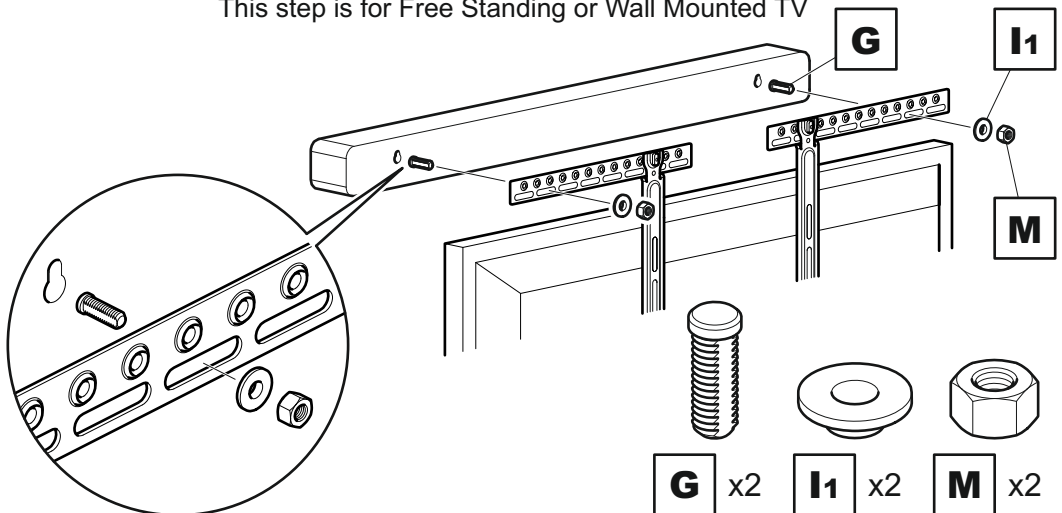
If you are attaching your Soundbar to a wall mounted TV please use this step in conjunction with the instructions provided with your TV wall mount.



The brackets and the screws shown in grey are only an example. These are supplied by the TV wall mount manufacturer.

Free Standing TV or Wall Mounted TV

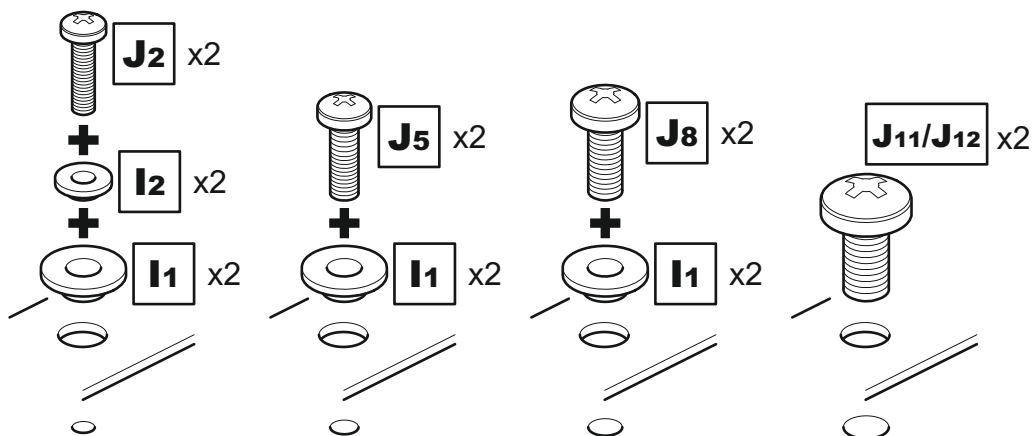
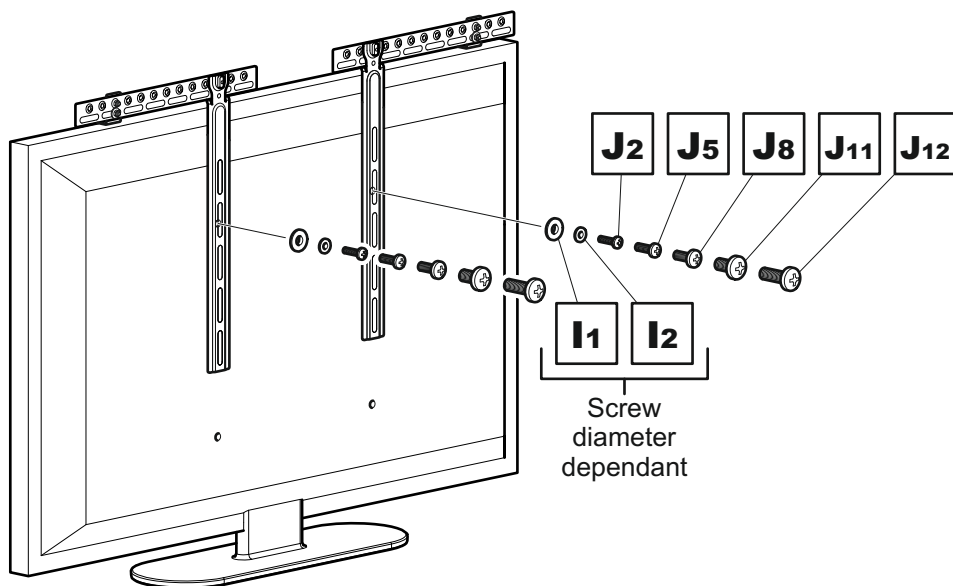
This step is for Free Standing or Wall Mounted TV



8

Attaching Soundbar Bracket to TV

You will only need to use this step if you are attaching your Soundbar to a free standing TV



Attach the brackets to the back of your TV using suitable screw and reducer combinations.

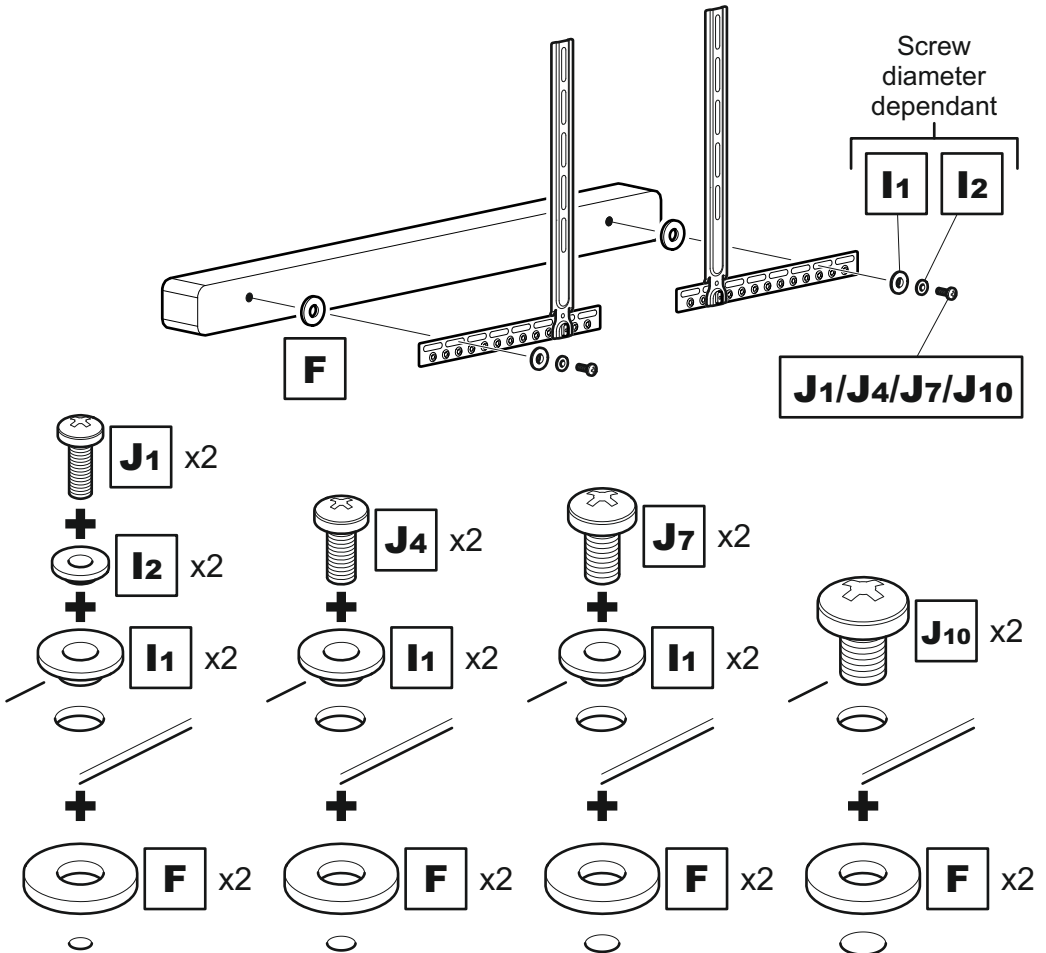
Mounting Below

You only need to follow one of steps 9 to 13 if you have chosen to have your Soundbar mounted below your TV.

Please select your method of attaching your Soundbar to your TV and follow the appropriate steps.

- Screwing to the Back of the Soundbar - **Step 9**
- Screwing to the Bottom of the Soundbar - **Step 10**
- Attaching the Soundbar with Hook and Loop - **Step 11**
- Attaching the Soundbar with Manufacturers Bracket - **Step 12**
- Attaching the Soundbar with Keyhole Pin - **Step 13**

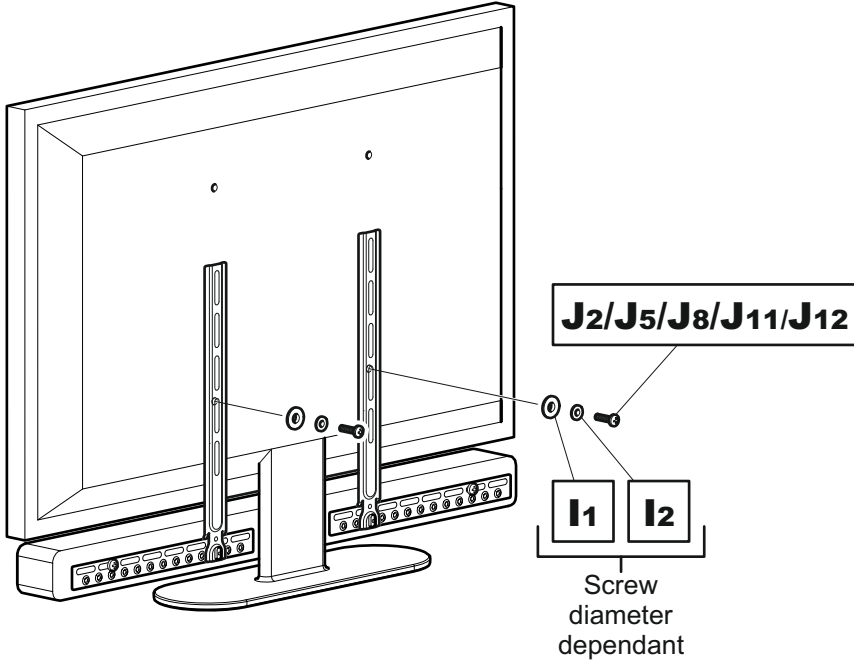
9 Screwing to the Back of the Soundbar



Attach the brackets to the back of your TV using suitable screw and reducer combinations.

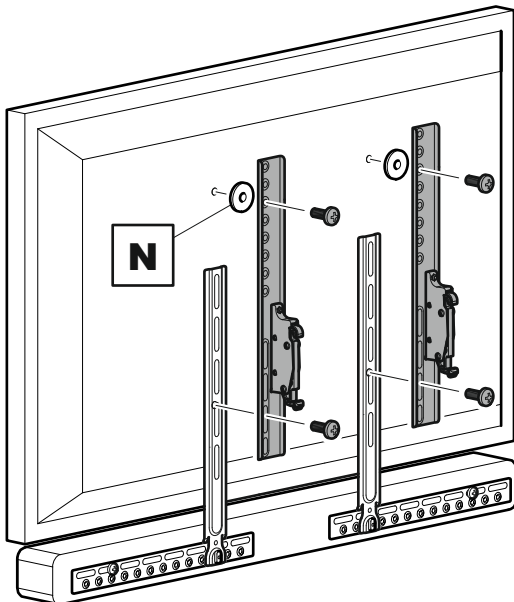
Free Standing TV

If you are attaching your Soundbar to a free standing TV please use this step in conjunction with step 14



Wall Mounted TV

If you are attaching your Soundbar to a wall mounted TV please use this step in conjunction with the instructions provided with your TV wall mount.

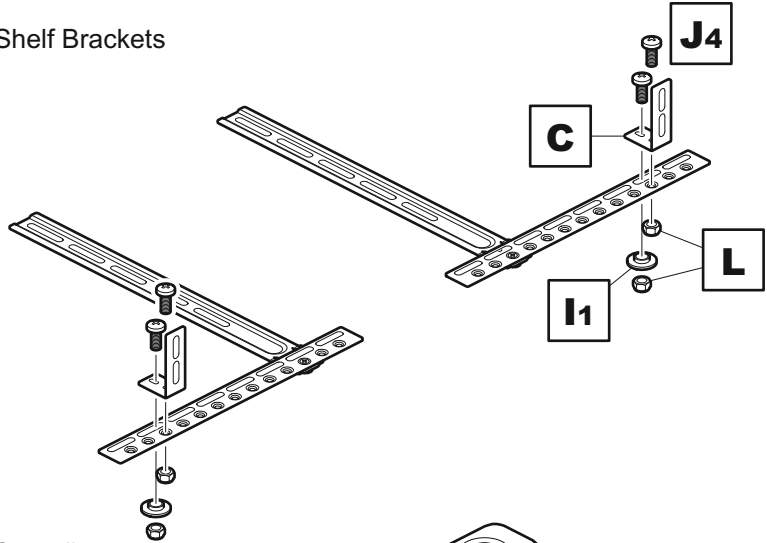


The brackets and the screws shown in grey are only an example. These are supplied by the TV wall mount manufacturer.

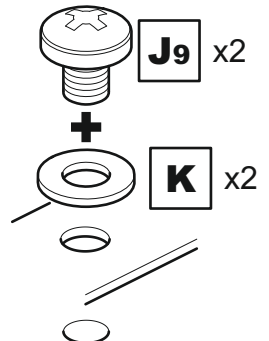
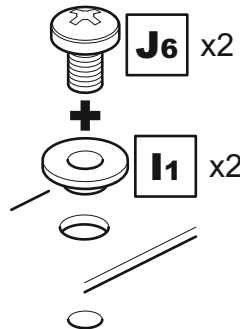
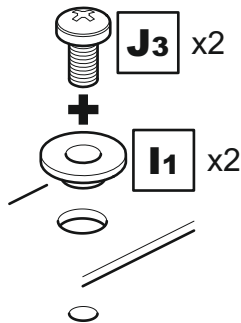
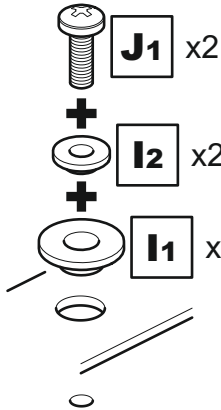
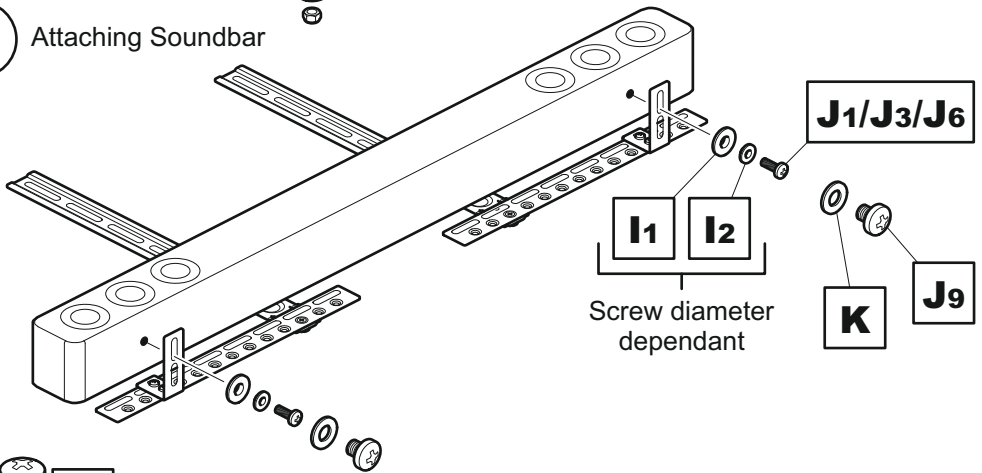
10

Screwing to the Bottom of the Soundbar

i Attaching Shelf Brackets



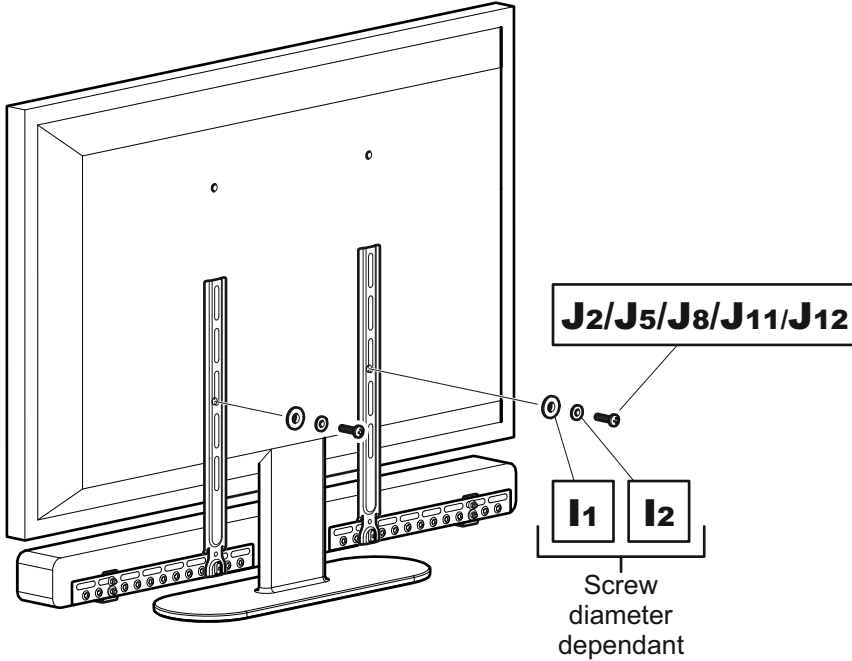
ii Attaching Soundbar



Attach the brackets to the back of your TV using suitable screw and reducer combinations.

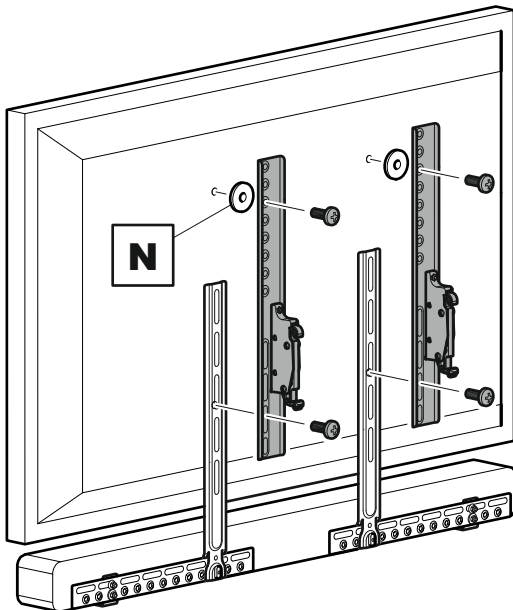
Free Standing TV

If you are attaching your Soundbar to a free standing TV please use this step in conjunction with step 14



Wall Mounted TV

If you are attaching your Soundbar to a wall mounted TV please use this step in conjunction with the instructions provided with your TV wall mount.



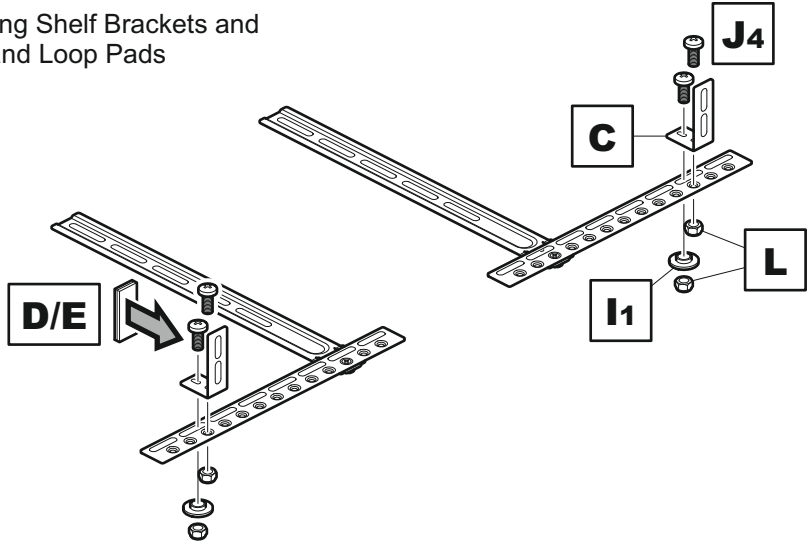
The brackets and the screws shown in grey are only an example. These are supplied by the TV wall mount manufacturer.

11

Attaching the Soundbar with Hook and Loop

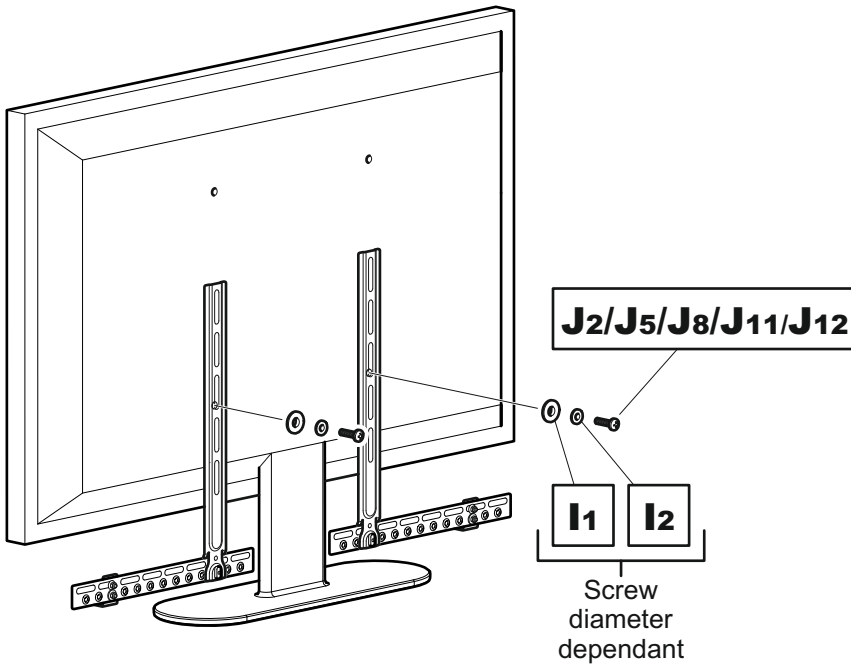
i

Attaching Shelf Brackets and Hook and Loop Pads



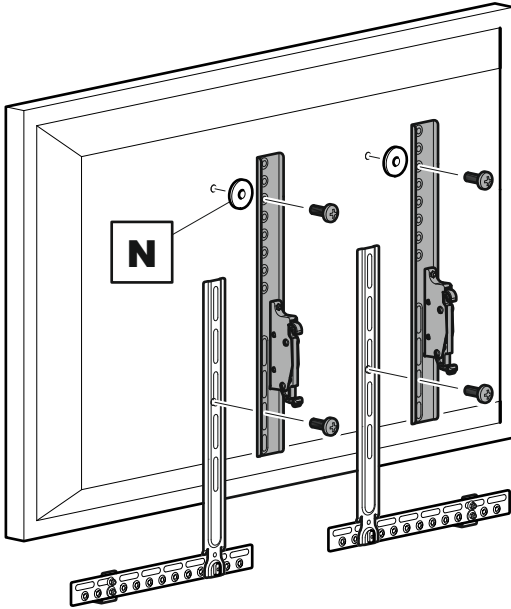
Free Standing TV

If you are attaching your Soundbar to a free standing TV please use this step in conjunction with step 14



Wall Mounted TV

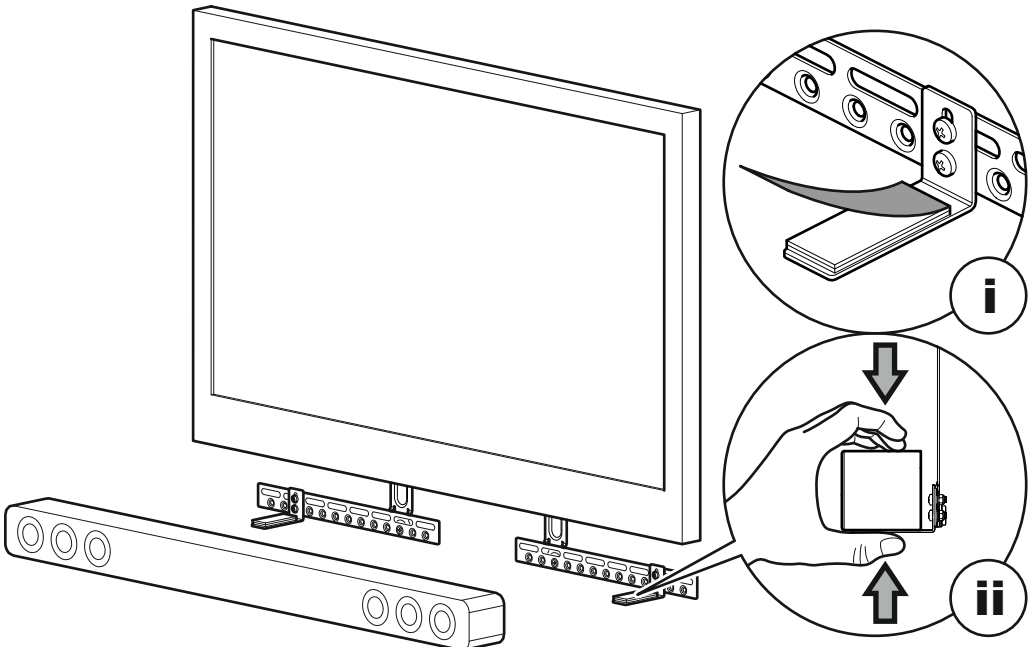
If you are attaching your Soundbar to a wall mounted TV please use this step in conjunction with the instructions provided with your TV wall mount.



The brackets and the screws shown in grey are only an example. These are supplied by the TV wall mount manufacturer.

Free Standing TV or Wall Mounted TV

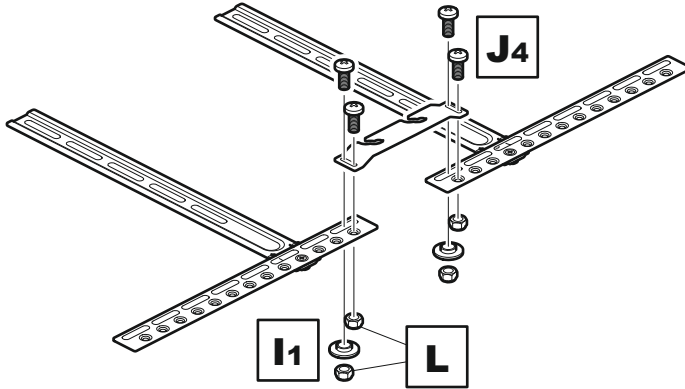
This step is for Free Standing or Wall Mounted TV



12

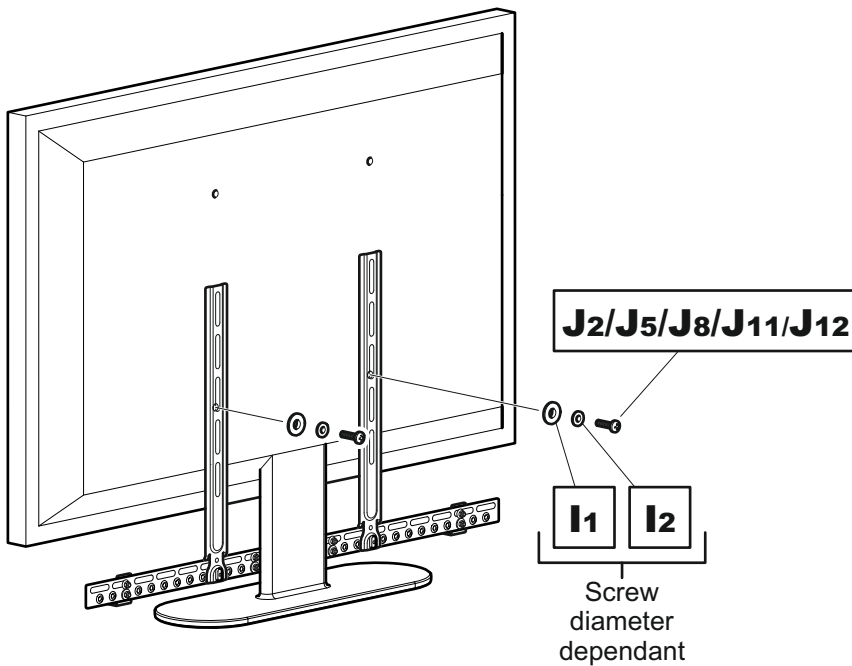
Attaching the Soundbar with Manufacturers Bracket

i Attaching manufacturers bracket. Please note this bracket is not included. The image below shows an example of a bracket.



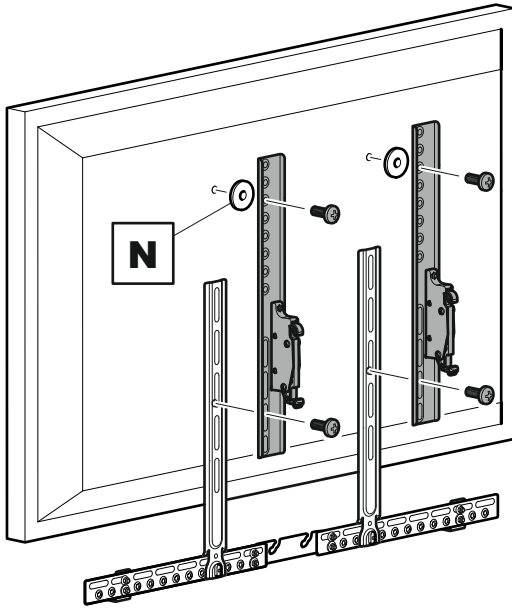
Free Standing TV

If you are attaching your Soundbar to a free standing TV please use this step in conjunction with step 14



Wall Mounted TV

If you are attaching your Soundbar to a wall mounted TV please use this step in conjunction with the instructions provided with your TV wall mount.

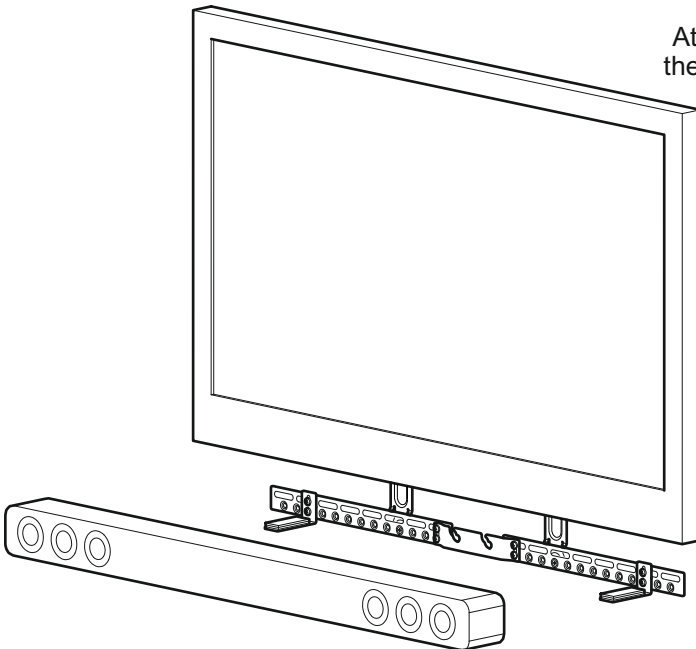


The brackets and the screws shown in grey are only an example. These are supplied by the TV wall mount manufacturer.

Free Standing TV or Wall Mounted TV

This step is for Free Standing or Wall Mounted TV

Attach your Soundbar as per the manufacturers instructions

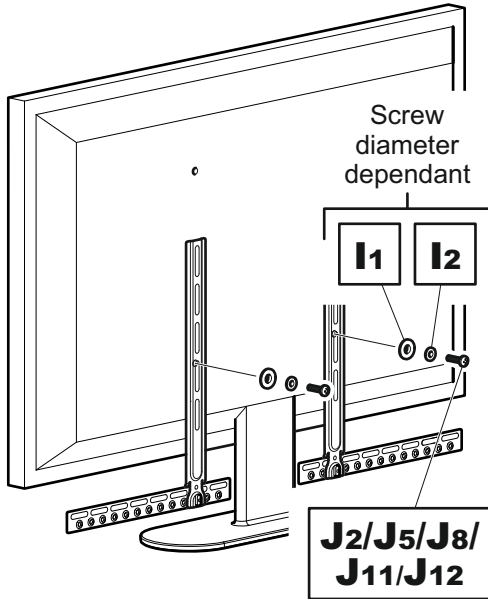


13

Attaching to Soundbar with Keyhole Pin

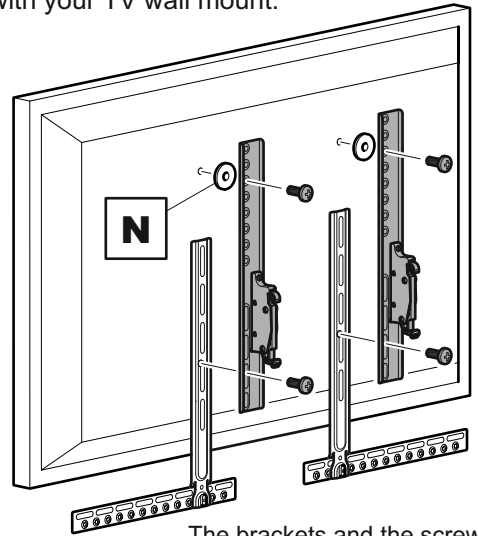
Free Standing TV

If you are attaching your Soundbar to a free standing TV please use this step in conjunction with step 14



Wall Mounted TV

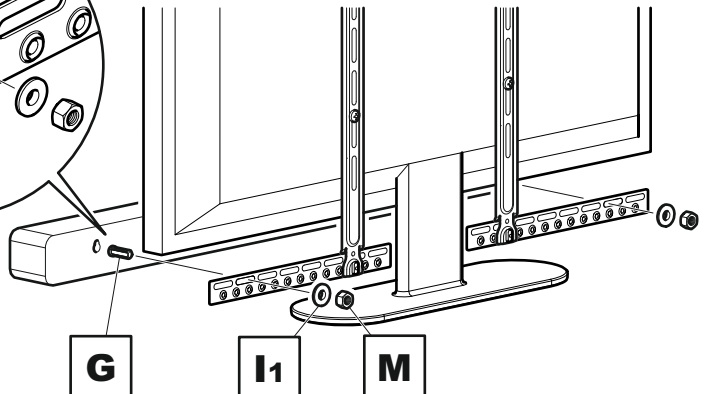
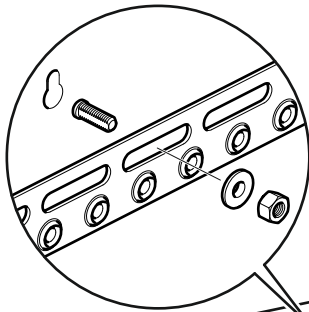
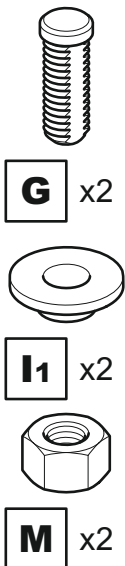
If you are attaching your Soundbar to a wall mounted TV please use this step in conjunction with the instructions provided with your TV wall mount.



The brackets and the screws shown in grey are only an example. These are supplied by the TV wall mount manufacturer.

Free Standing TV or Wall Mounted TV

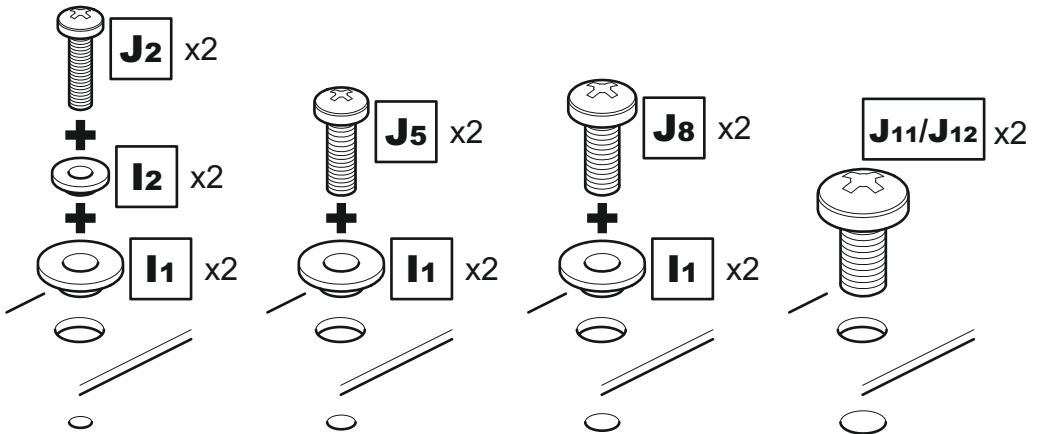
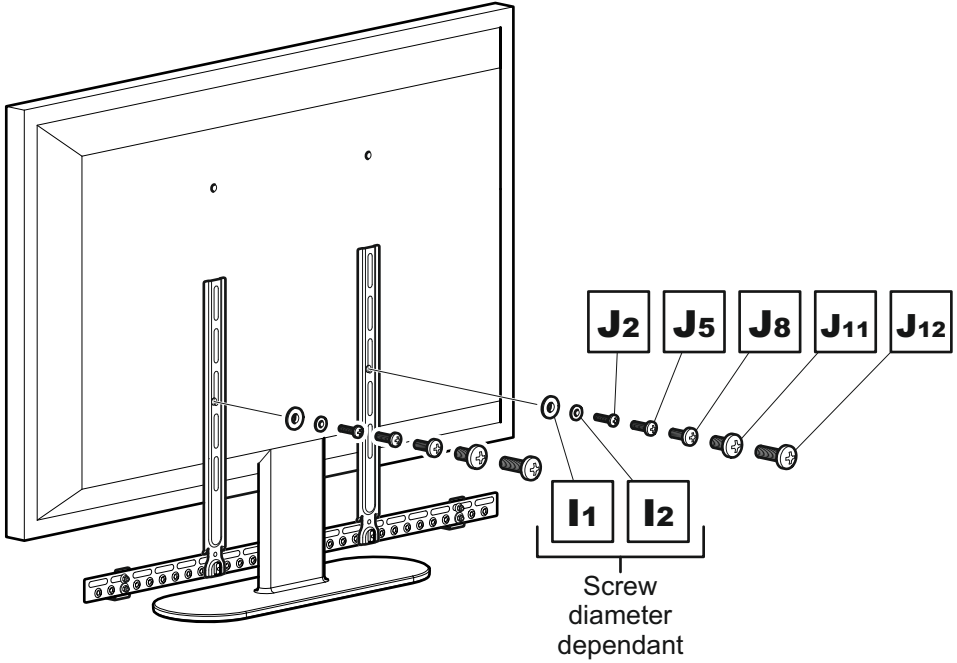
This step is for Free Standing or Wall Mounted TV



14

Attaching Soundbar Bracket to TV

You will only need to use this step if you are attaching your Soundbar to a free standing TV



Attach the brackets to the back of your TV using suitable screw and reducer combinations.