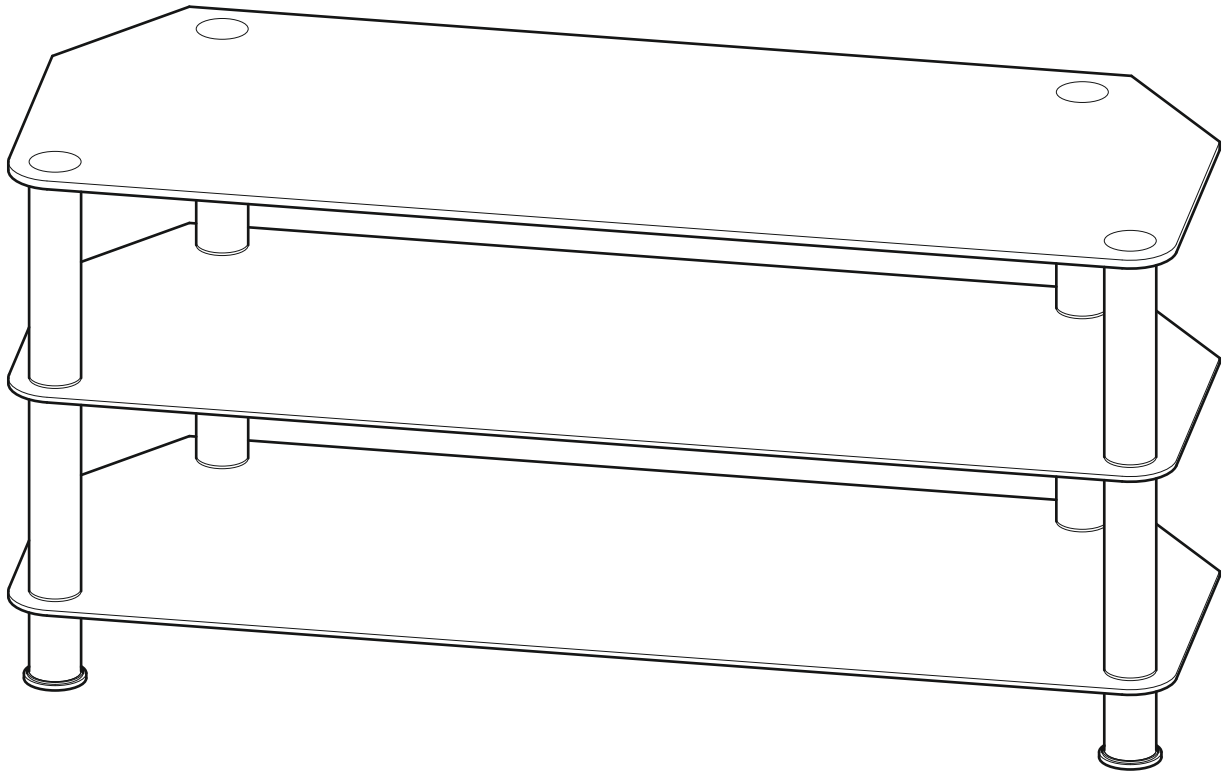


SDC1140

463681 rev 00



Read through **ALL** instructions before commencing assembly.
If you have any questions about this product or issues with assembly
contact the customer help line before returning this product to the store.

Crown AV, PO Box 342,
Telford, TF1 9DU, UK



Customer Help Line
01952 678859

www.crownav.co.uk

IMPORTANT INFORMATION!

We advise that before starting the assembly of this product that you familiarise yourself with the instructions and the parts list in this leaflet.

Do not's

Do not over tighten any part of this assembly

Do not place hot or cold objects on to or close to any glass surface unless the object is sufficiently insulated to prevent contact.

Do not strike the glass with hard or pointed items.

Do not sit or stand upon horizontal glass surfaces.

Do not use washing powders or other substances containing abrasives when cleaning the glass surfaces as these may scratch the glass.

Do's

Do use a damp cloth with diluted washing up liquid for cleaning the glass surfaces.

Maximum TV size and weight capacity

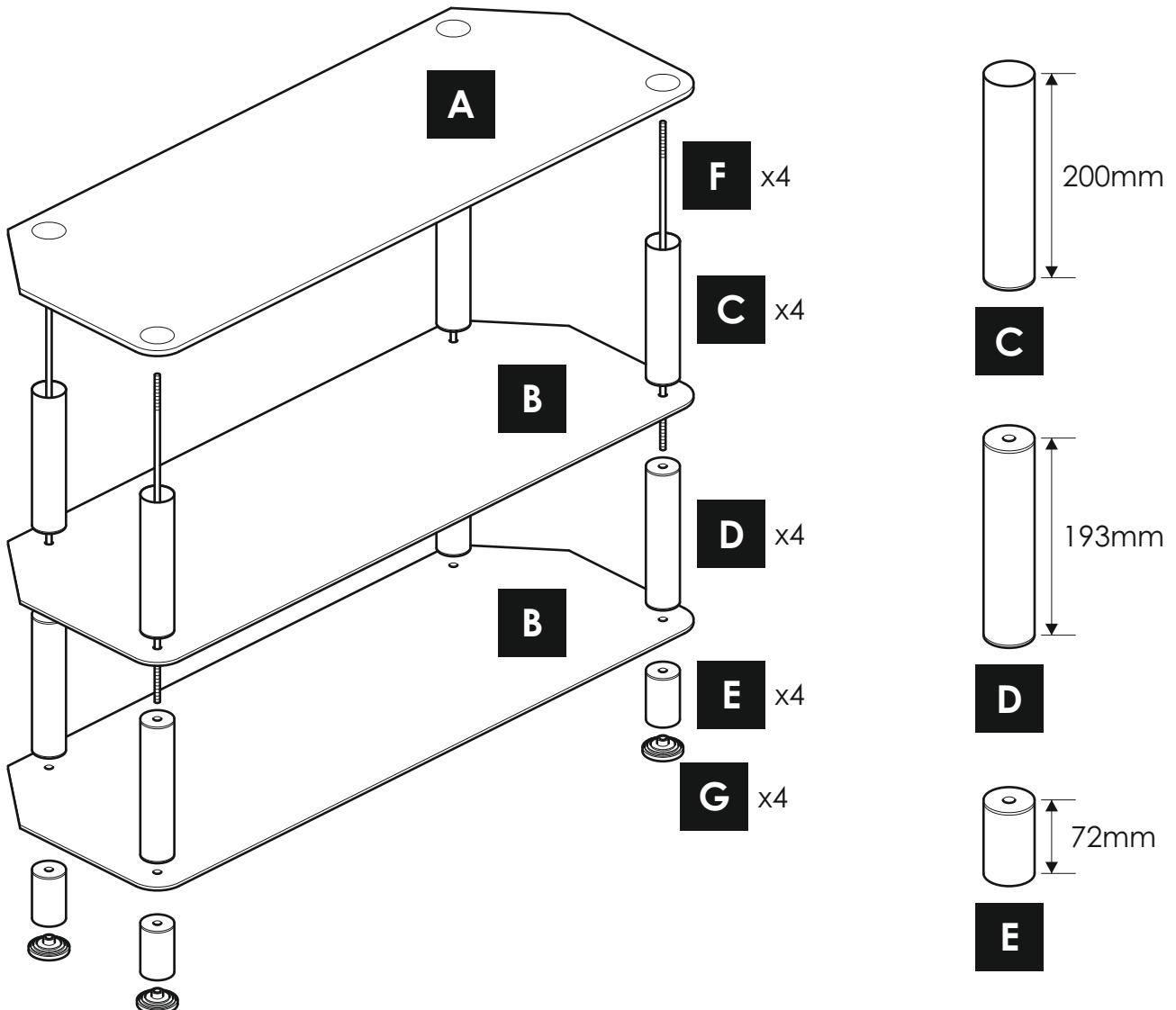
The maximum TV size for this stand is 55" / 140cms.

TV weight must not exceed 99lbs / 45kgs.

The maximum load for the middle and bottom shelves is 44lbs / 20kgs each.

WARNING Wherever possible distribute weight evenly.

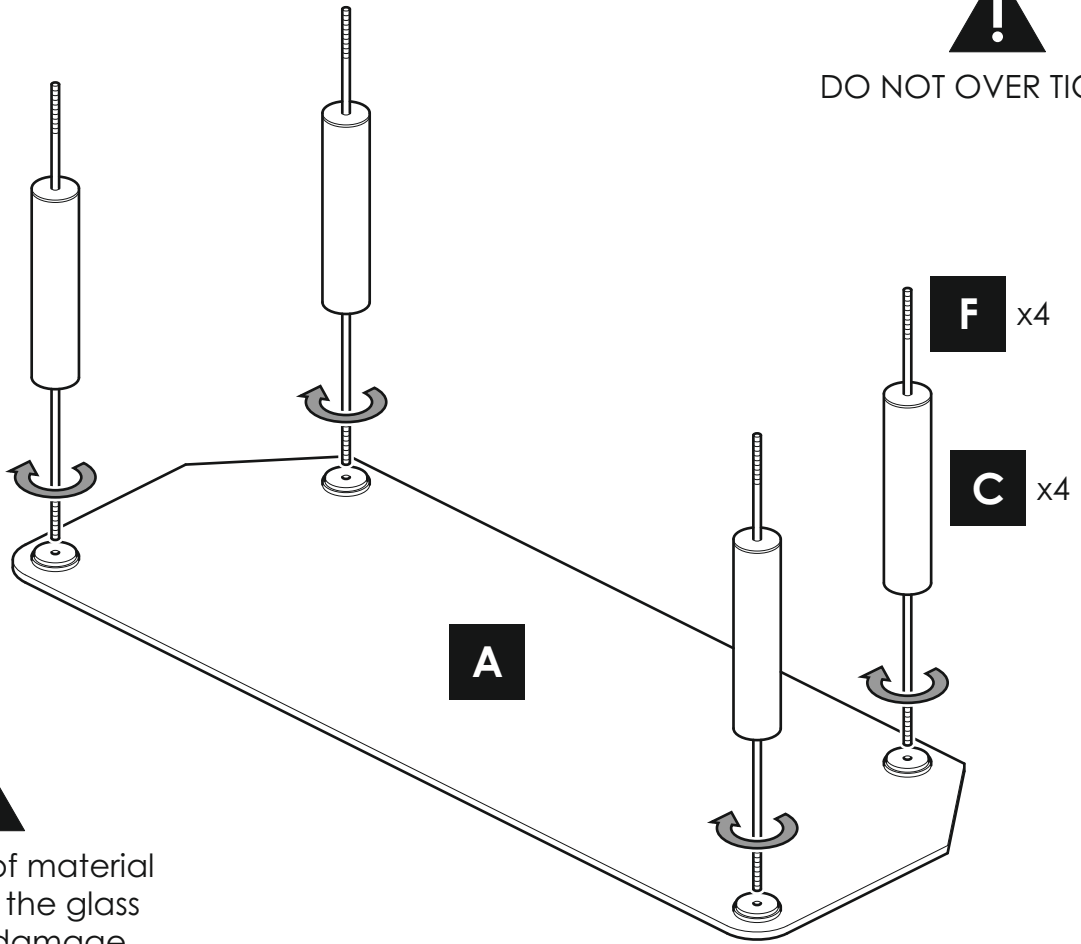
Boxed Parts



Step 1

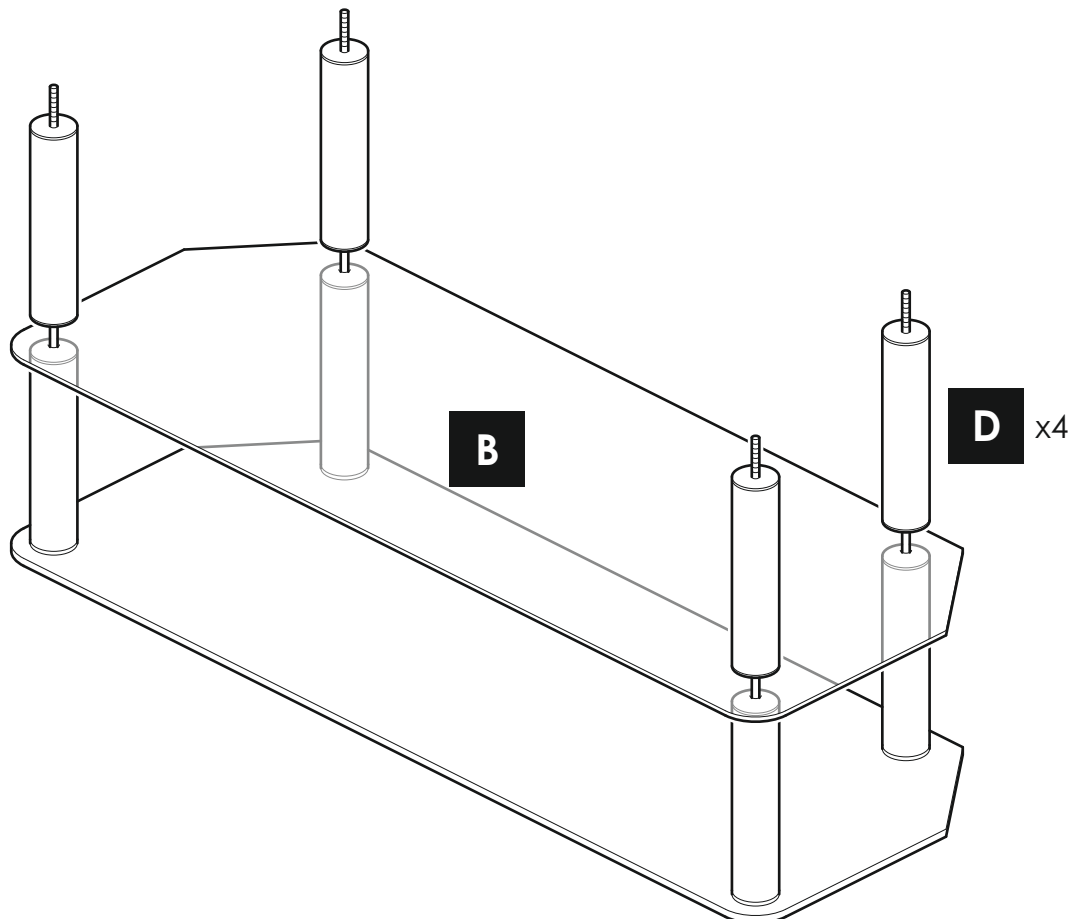


DO NOT OVER TIGHTEN

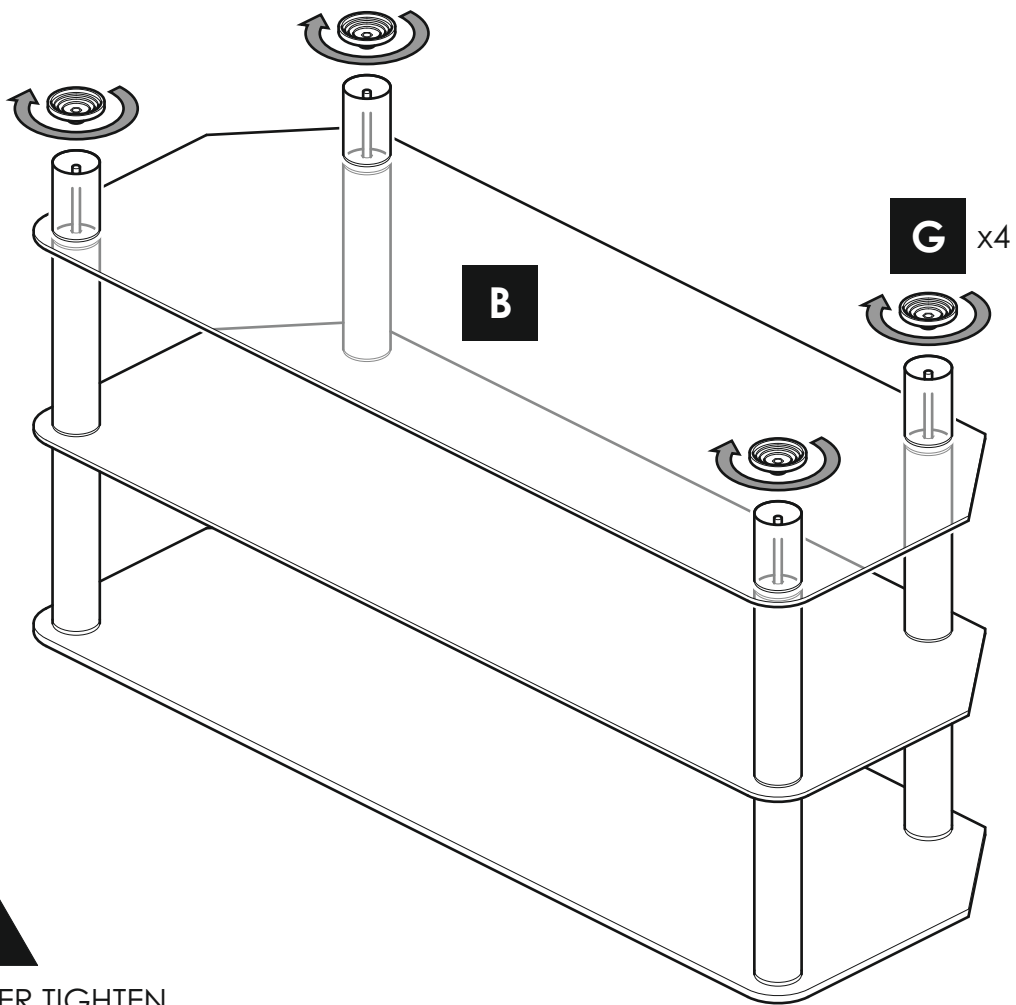


Put a piece of material underneath the glass to prevent damage.

Step 2



Step 3



Step 4

